



US00D636346S

(12) **United States Design Patent**
Svelnis et al.

(10) **Patent No.:** **US D636,346 S**
(45) **Date of Patent:** **** Apr. 19, 2011**

(54) **RECEPTACLE FOR HI POWER CONNECTOR**

(75) Inventors: **Christine M Svelnis**, Boylston, MA (US); **Craig H Baker**, Shrewsbury, MA (US); **Jeffrey S Burkhardt**, Brookline, NH (US)

(73) Assignee: **Anderson Power Products, Inc.**, Sterling, MA (US)

(**) Term: **14 Years**

(21) Appl. No.: **29/368,430**

(22) Filed: **Aug. 24, 2010**

(51) **LOC (9) Cl.** **13-03**

(52) **U.S. Cl.** **D13/154; D13/156**

(58) **Field of Classification Search** D13/133, D13/146, 147, 154, 156, 184, 199; 439/304, 439/310, 325, 338, 344, 345, 347, 350, 367, 439/370, 374, 527, 533, 607.53, 894, 901, 439/903

See application file for complete search history.

(56) **References Cited**

U.S. PATENT DOCUMENTS

D311,733 S * 10/1990 Kuzuno et al. D13/133
5,127,848 A * 7/1992 Taguchi 439/489

5,651,689 A * 7/1997 Plyler et al. 439/352
D415,999 S * 11/1999 Esposito D13/162
6,171,136 B1 * 1/2001 Liu et al. 439/466
D503,150 S * 3/2005 Yamawaki et al. D13/147
D522,459 S * 6/2006 Chen et al. D13/147
D544,843 S * 6/2007 Sugita et al. D13/148
D599,297 S * 9/2009 Chen D13/147

* cited by examiner

Primary Examiner — Daniel D Bui

(74) *Attorney, Agent, or Firm* — Vern Maine & Associates

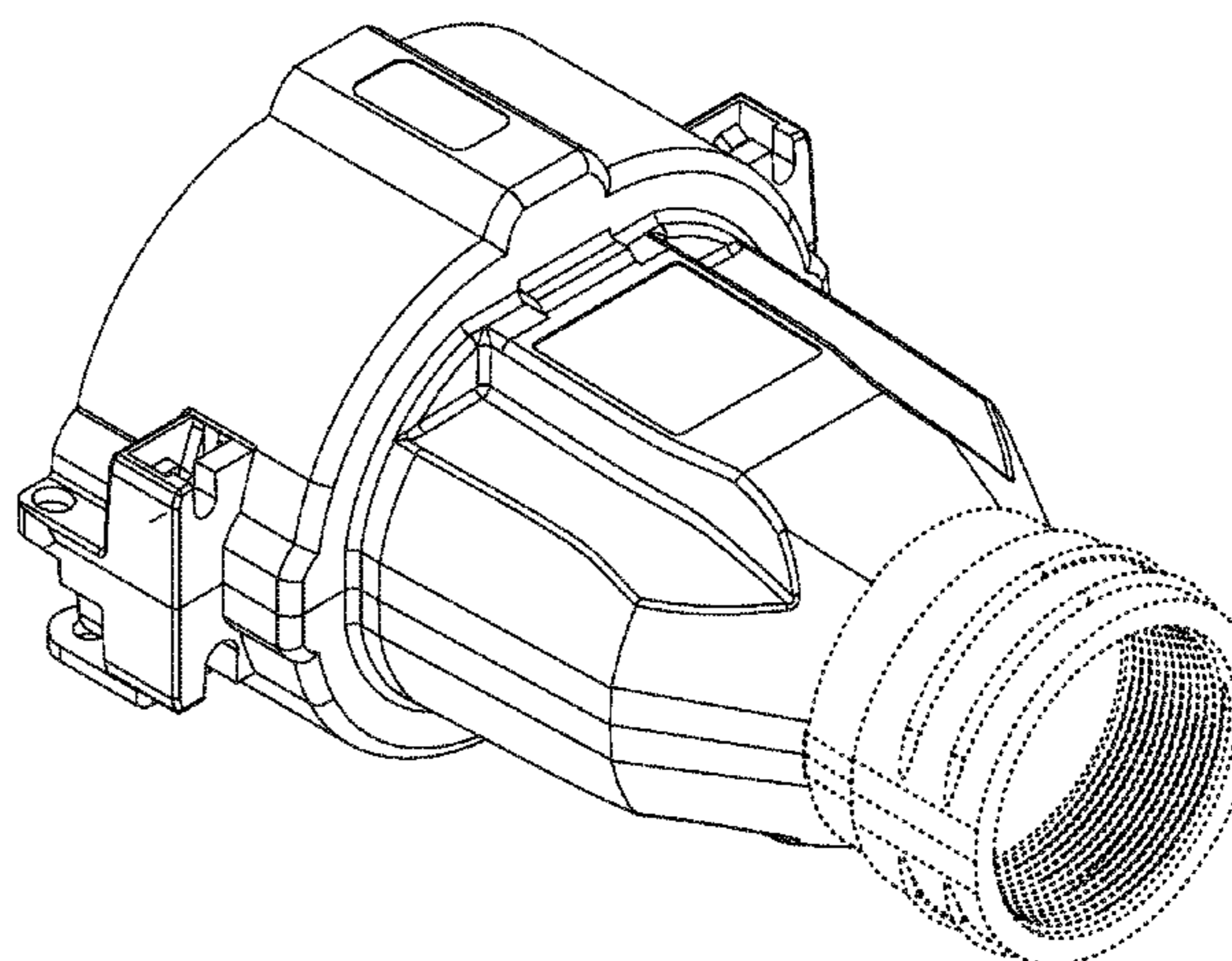
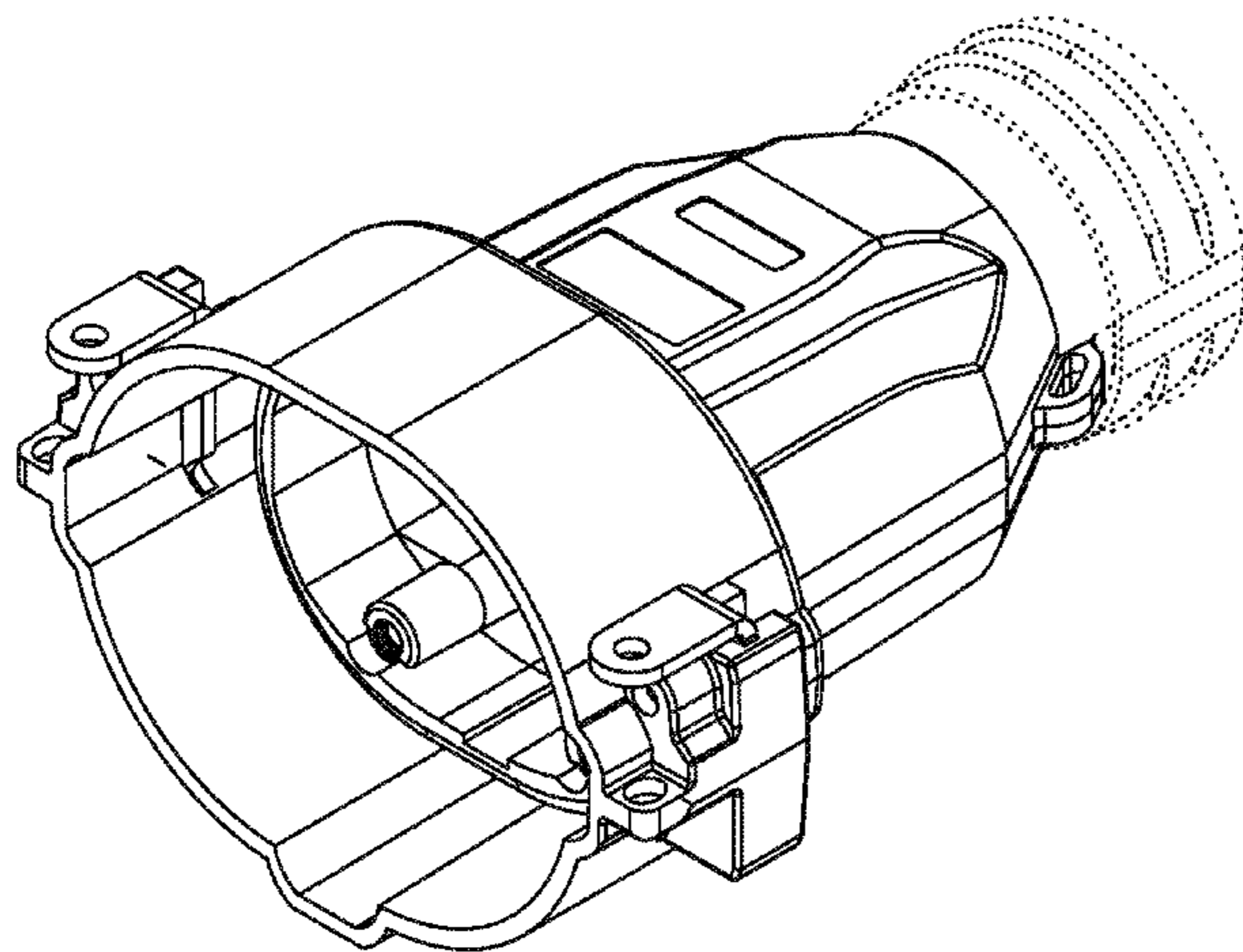
(57) **CLAIM**

The ornamental design for a receptacle for hi power connector, as shown and described.

DESCRIPTION

FIG. 1 is a front view of a receptacle for hi power connector; FIG. 2 is a top view thereof; FIG. 3 is a bottom view thereof; FIG. 4 is a right side view thereof; FIG. 5 is a left side view thereof; FIG. 6 is a back view thereof; FIG. 7 is a front, top perspective view thereof; and, FIG. 8 is a back, bottom perspective view thereof. The broken line portion of the figure drawings is included to show unclaimed subject matter only and forms no part of the claimed design.

1 Claim, 8 Drawing Sheets



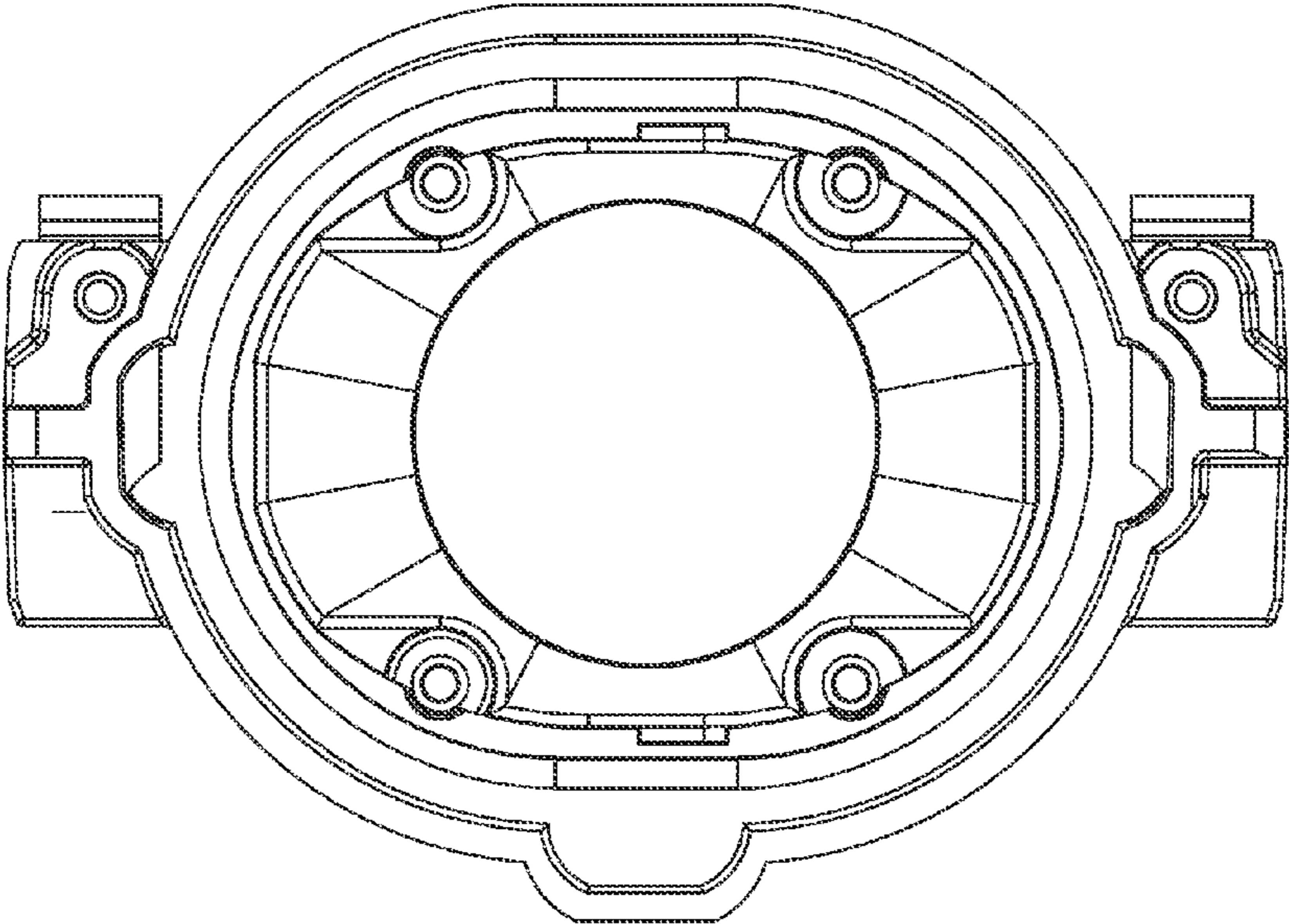


FIG. 1

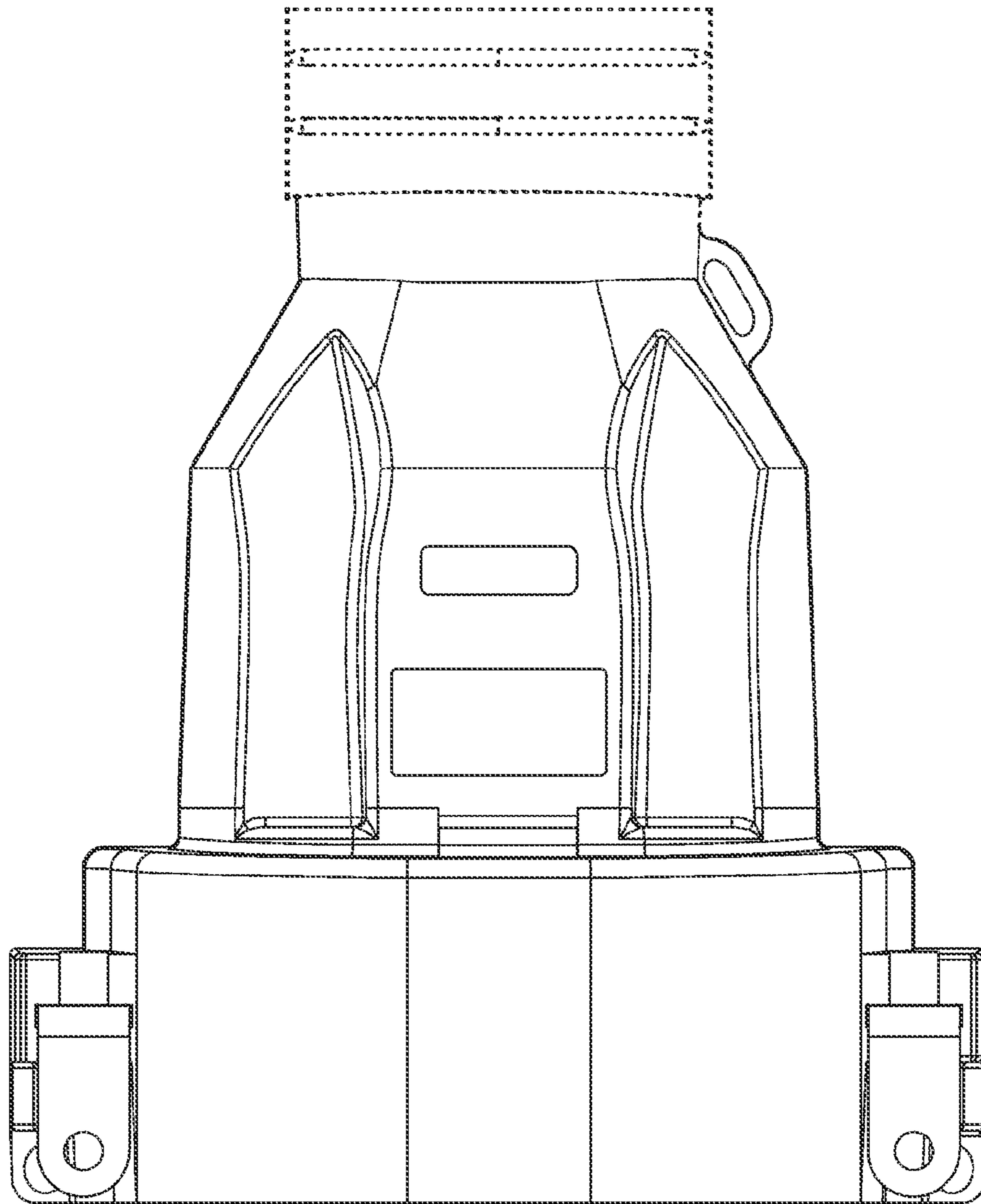


FIG. 2

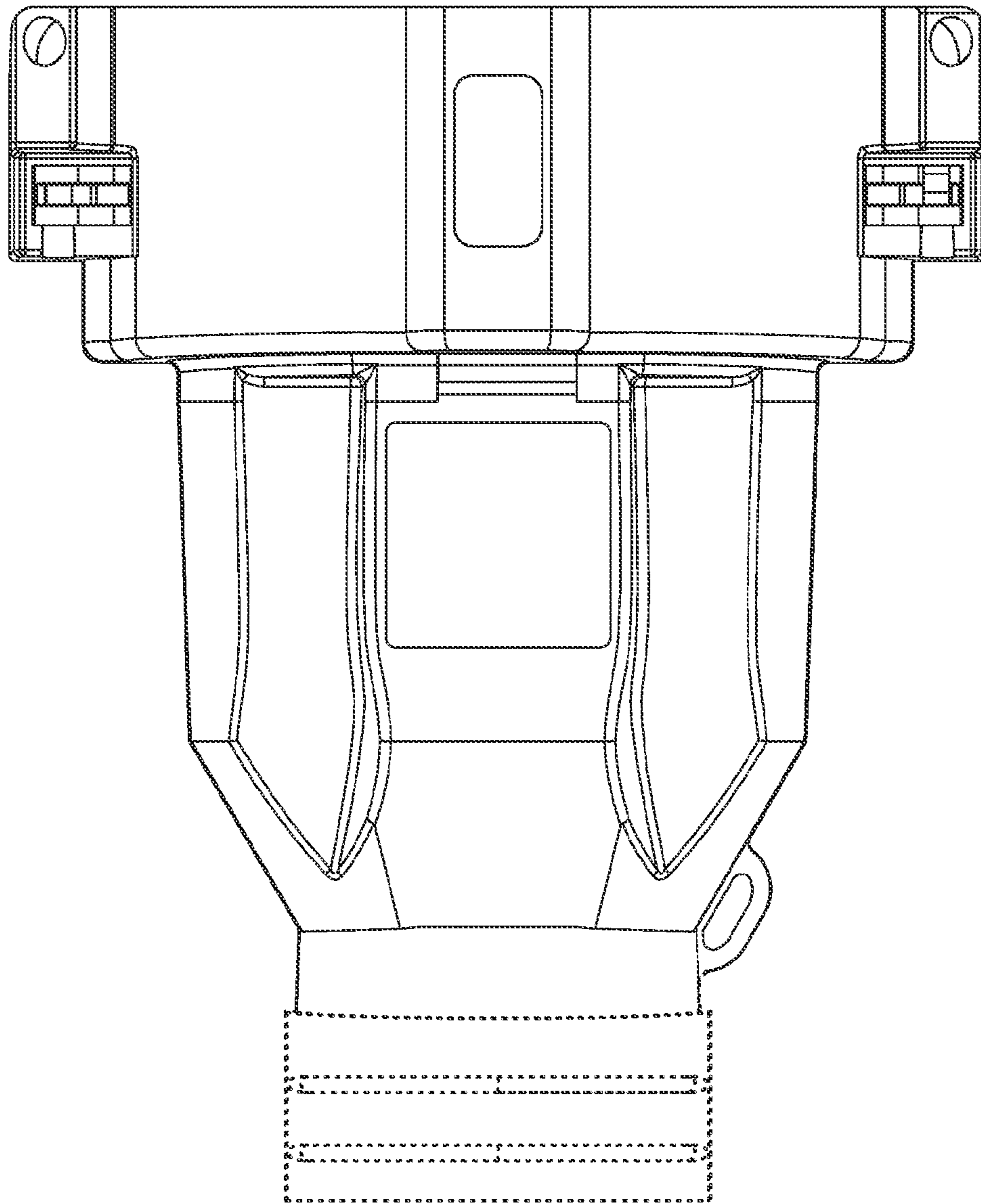


FIG. 3

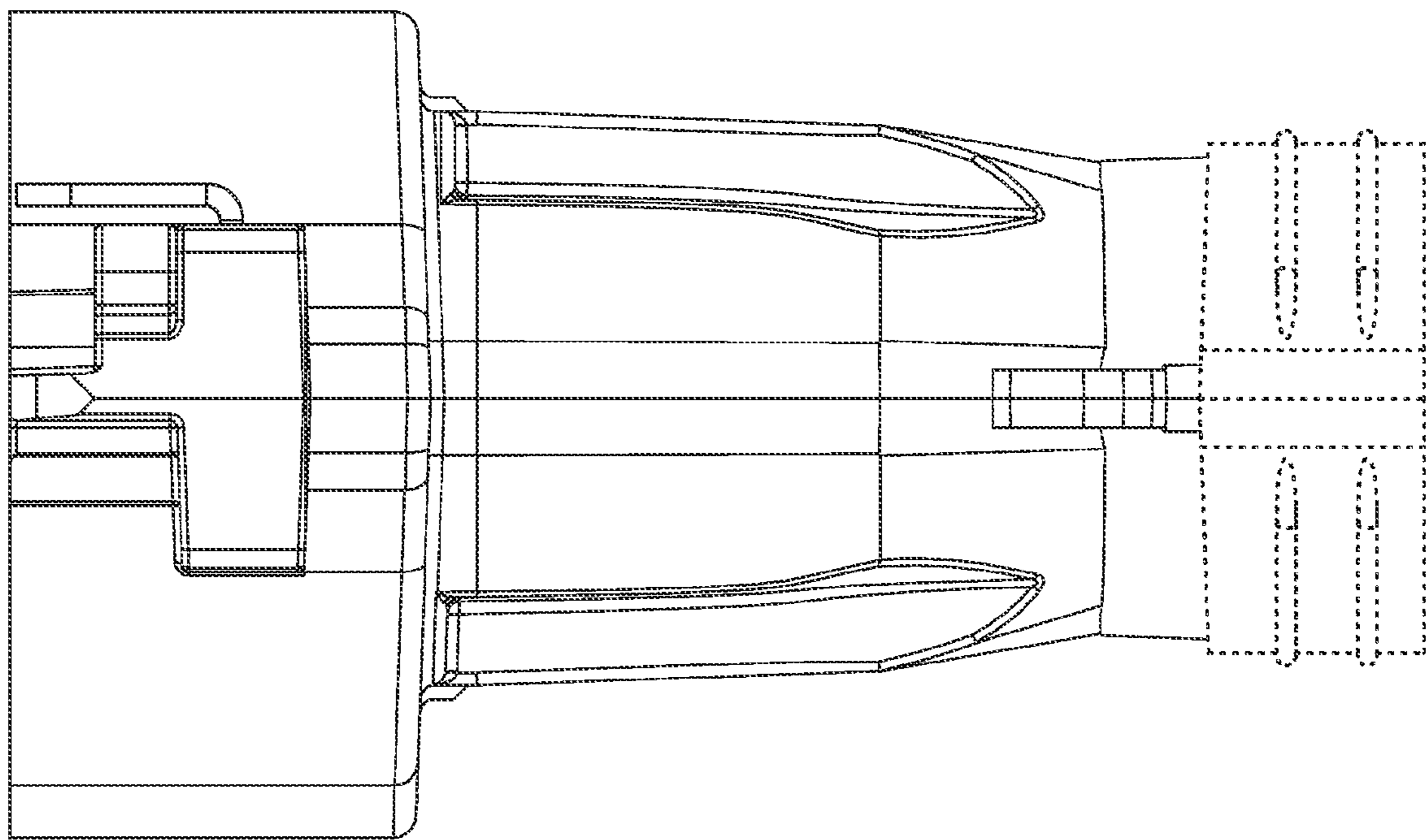


FIG. 4

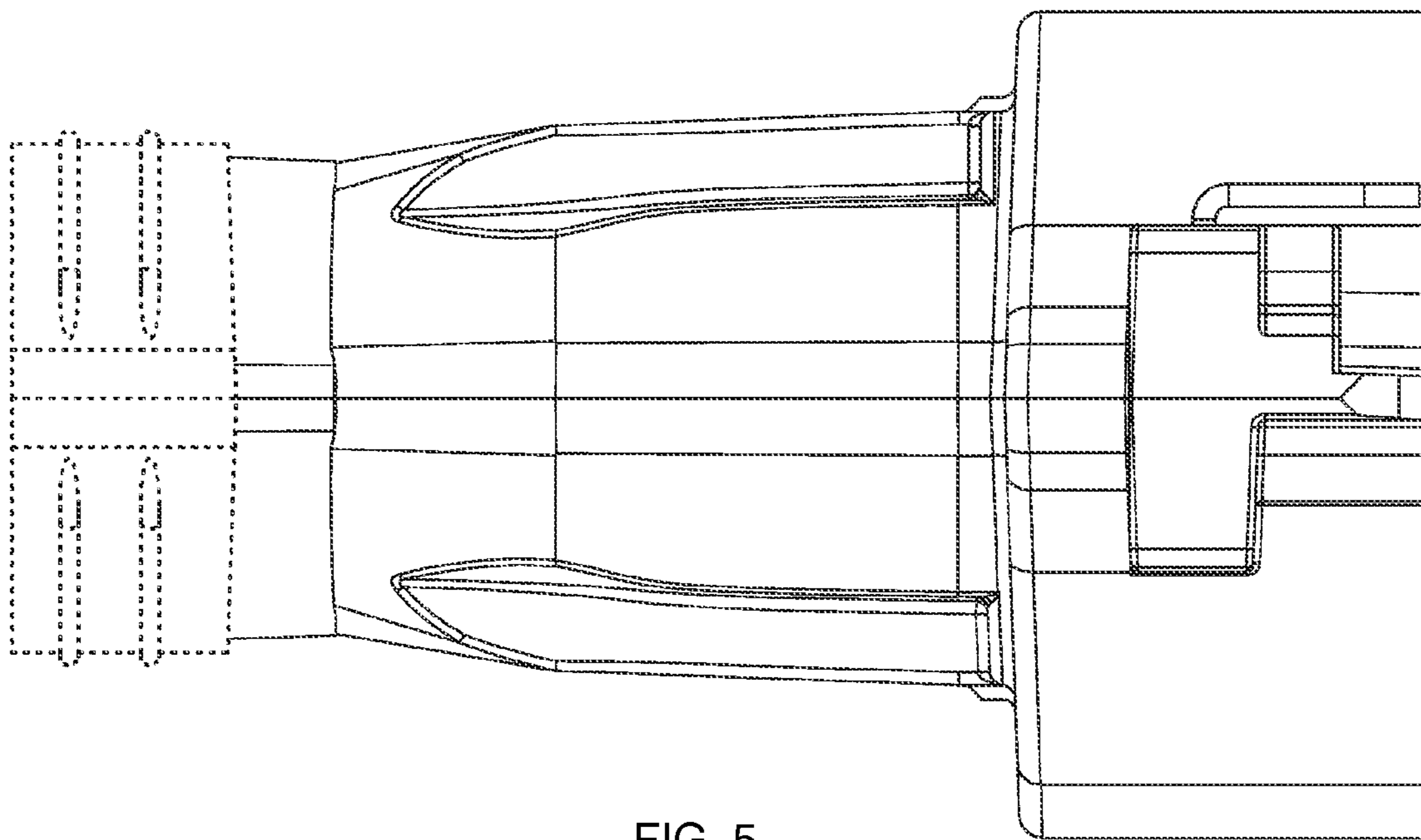


FIG. 5

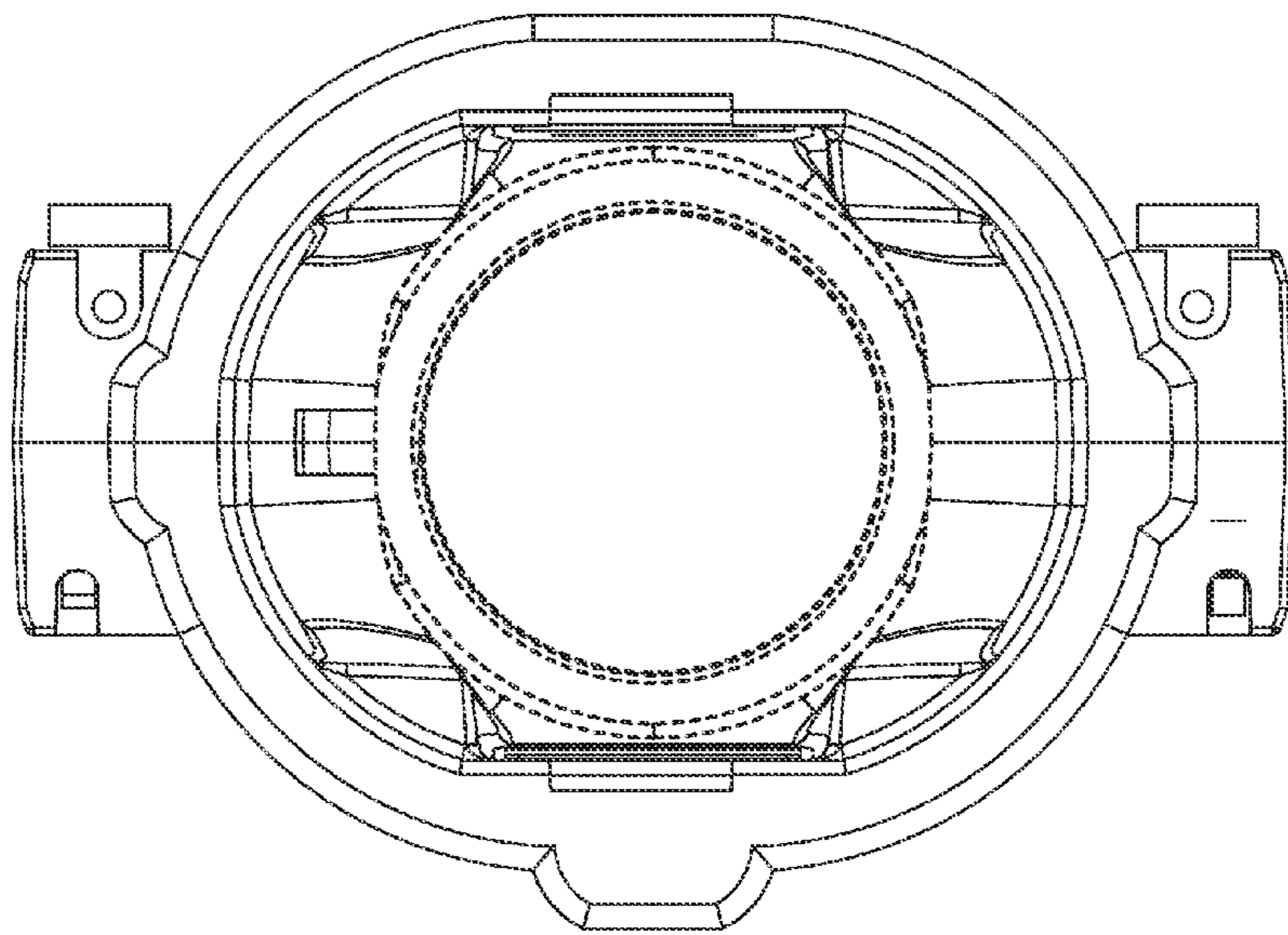


FIG. 6

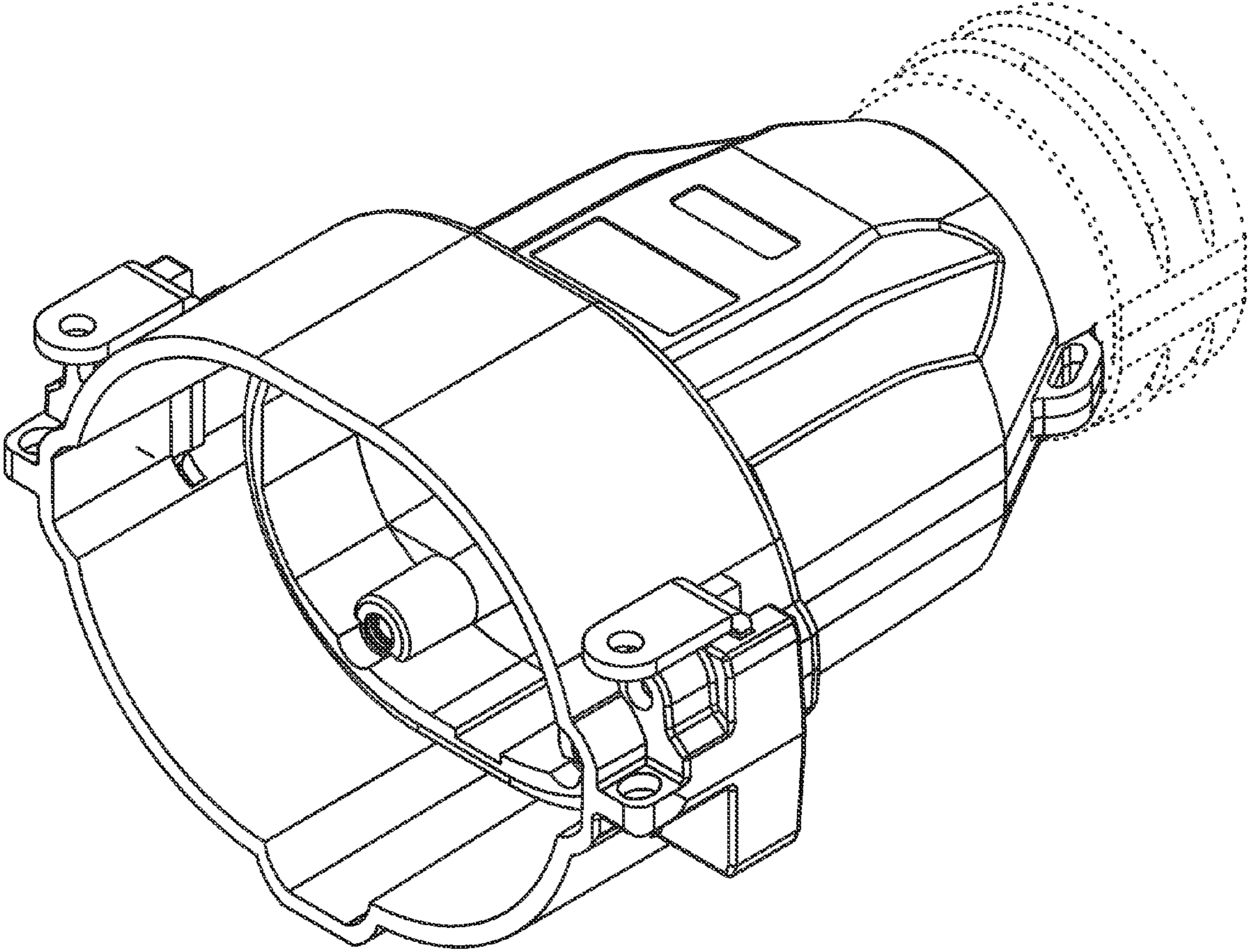


FIG. 7

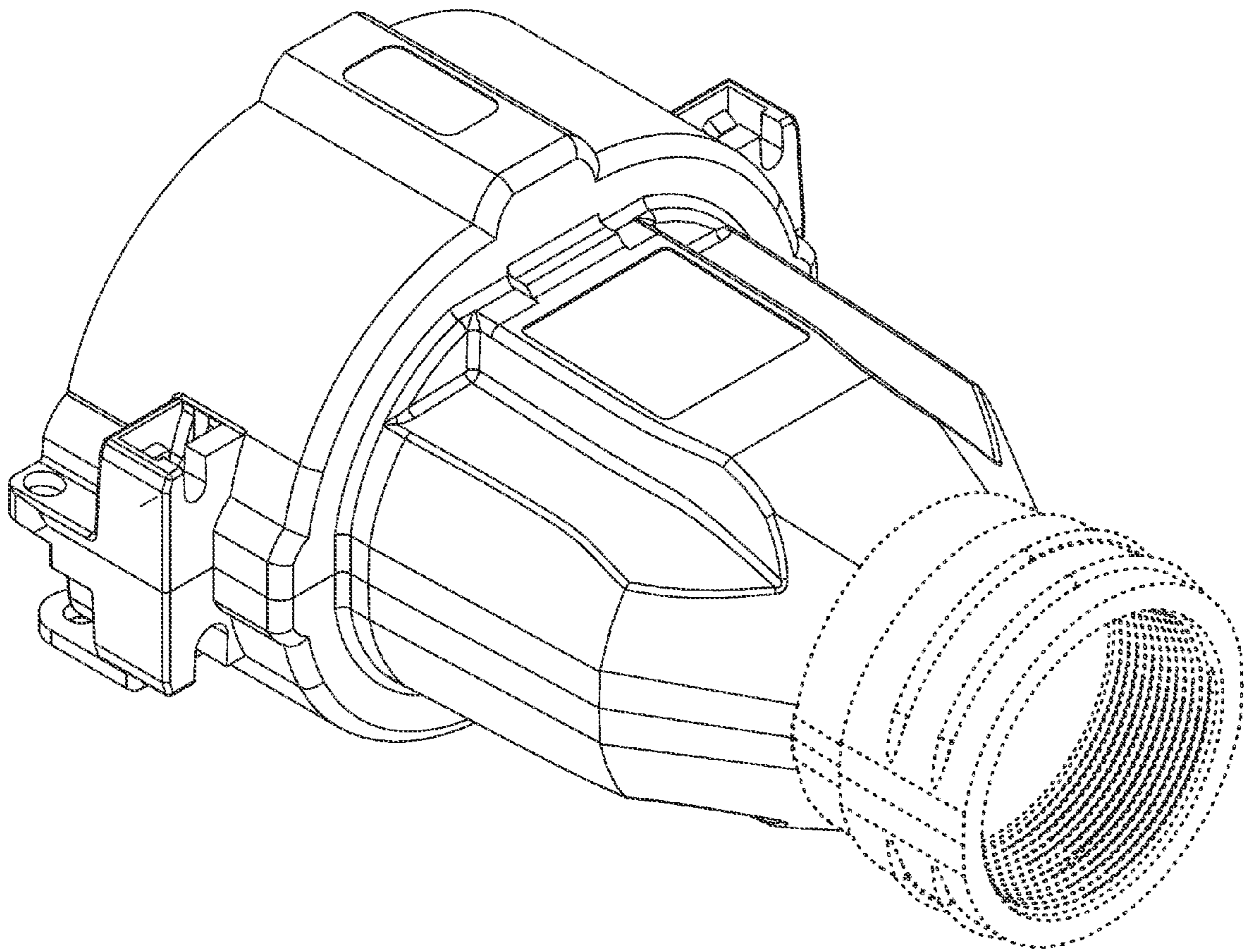


FIG. 8

UNITED STATES PATENT AND TRADEMARK OFFICE
CERTIFICATE OF CORRECTION

PATENT NO. : D636,346 S
APPLICATION NO. : 29/368430
DATED : April 19, 2011
INVENTOR(S) : Christine M. Svelnis, Craig H. Baker and Jeffrey S. Burkhardt

Page 1 of 10

It is certified that error appears in the above-identified patent and that said Letters Patent is hereby corrected as shown below:

The title page should be deleted and substitute therefor the attached title page as shown on the attached pages.

In the Drawings:

Delete drawing sheets 1-8 consisting of figures 1-8, and substitute therefor drawings sheets 1-8 consisting of figures 1-8, as shown on the attached pages.

Signed and Sealed this
Twenty-ninth Day of November, 2011

A handwritten signature in black ink that reads "David J. Kappos". The signature is written in a cursive style with a large initial "D" and "K".

David J. Kappos
Director of the United States Patent and Trademark Office

(12) **United States Design Patent** (10) **Patent No.:** **US D636,346 S**
Svelnis et al. (45) **Date of Patent:** **** Apr. 19, 2011**

(54) **RECEPTACLE FOR HI POWER CONNECTOR**

(75) Inventors: **Christine M Svelnis**, Boylston, MA (US); **Craig H Baker**, Shrewsbury, MA (US); **Jeffrey S Burkhardt**, Brookline, NH (US)

(73) Assignee: **Anderson Power Products, Inc.**, Sterling, MA (US)

(**) Term: **14 Years**

(21) Appl. No.: **29/368,430**

(22) Filed: **Aug. 24, 2010**

(51) **LOC (9) Cl.** **13-03**

(52) **U.S. Cl.** **D13/154; D13/156**

(58) **Field of Classification Search** D13/133, D13/146, 147, 154, 156, 184, 199; 439/304, 439/310, 325, 338, 344, 345, 347, 350, 367, 439/370, 374, 527, 533, 607.53, 894, 901, 439/903

See application file for complete search history.

(56) **References Cited**

U.S. PATENT DOCUMENTS

D311,733 S * 10/1990 Kuzuno et al. D13/133
 5,127,848 A * 7/1992 Taguchi 439/489

5,651,689 A * 7/1997 Plyler et al. 439/352
 D415,999 S * 11/1999 Esposito D13/162
 6,171,136 B1 * 1/2001 Liu et al. 439/466
 D503,150 S * 3/2005 Yamawaki et al. D13/147
 D522,459 S * 6/2006 Chen et al. D13/147
 D544,843 S * 6/2007 Sugita et al. D13/148
 D599,297 S * 9/2009 Chen D13/147

* cited by examiner

Primary Examiner — Daniel D Bui

(74) *Attorney, Agent, or Firm* — Vern Maine & Associates

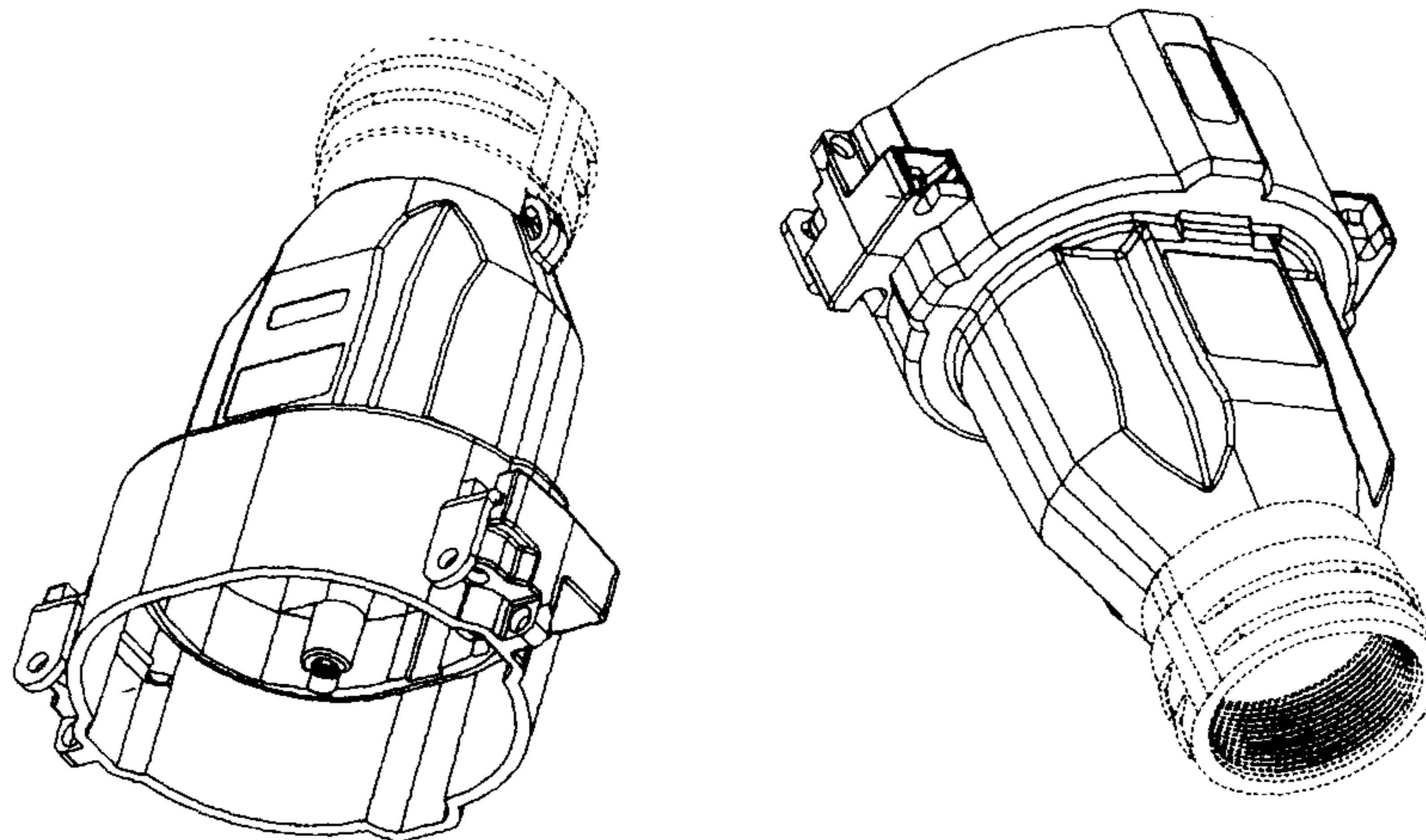
(57) **CLAIM**

The ornamental design for a receptacle for hi power connector, as shown and described.

DESCRIPTION

FIG. 1 is a front view of a receptacle for hi power connector; FIG. 2 is a top view thereof; FIG. 3 is a bottom view thereof; FIG. 4 is a right side view thereof; FIG. 5 is a left side view thereof; FIG. 6 is a back view thereof; FIG. 7 is a front, top perspective view thereof; and, FIG. 8 is a back, bottom perspective view thereof. The broken line portion of the figure drawings is included to show unclaimed subject matter only and forms no part of the claimed design.

1 Claim, 8 Drawing Sheets



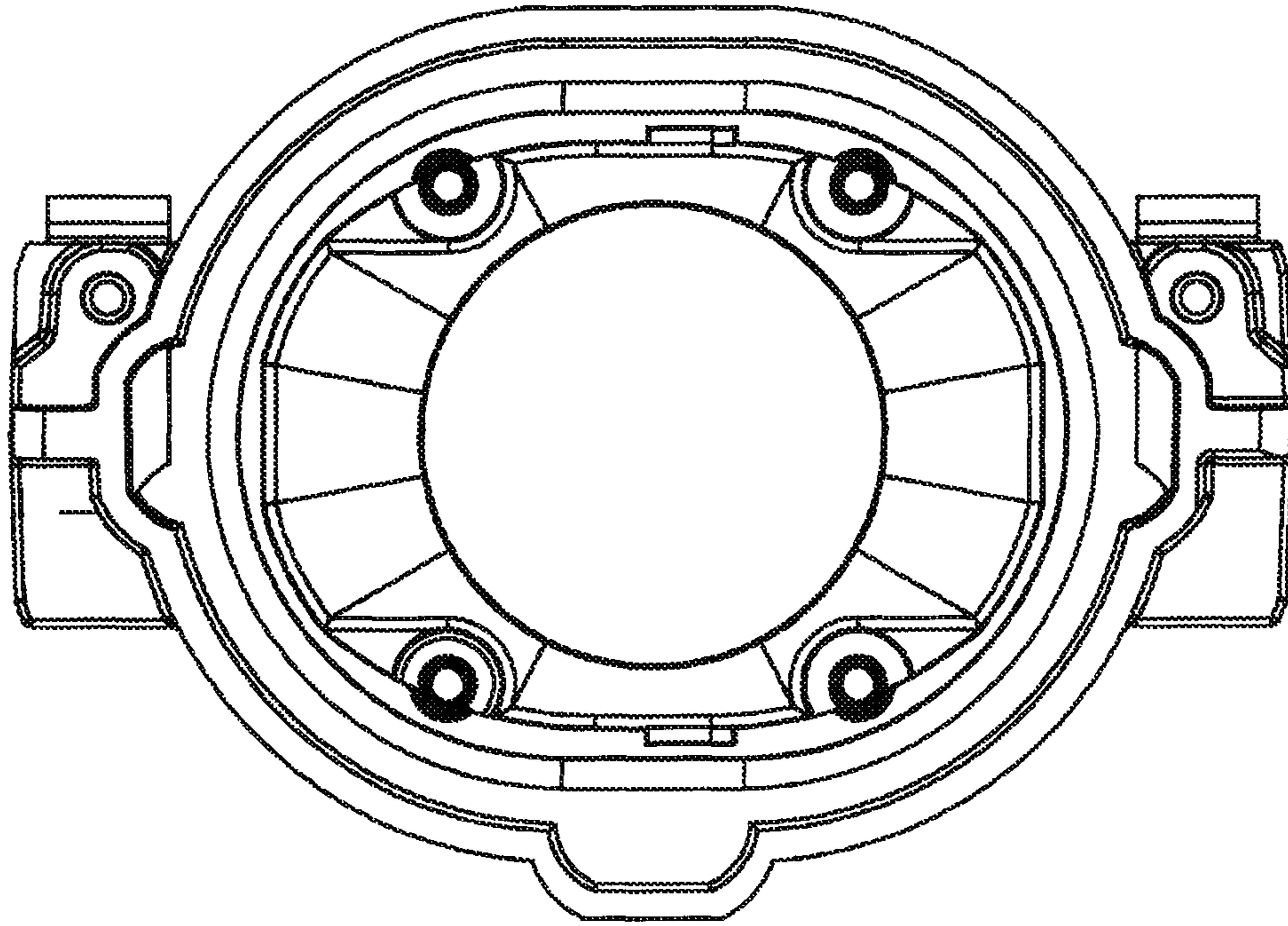


FIG. 1

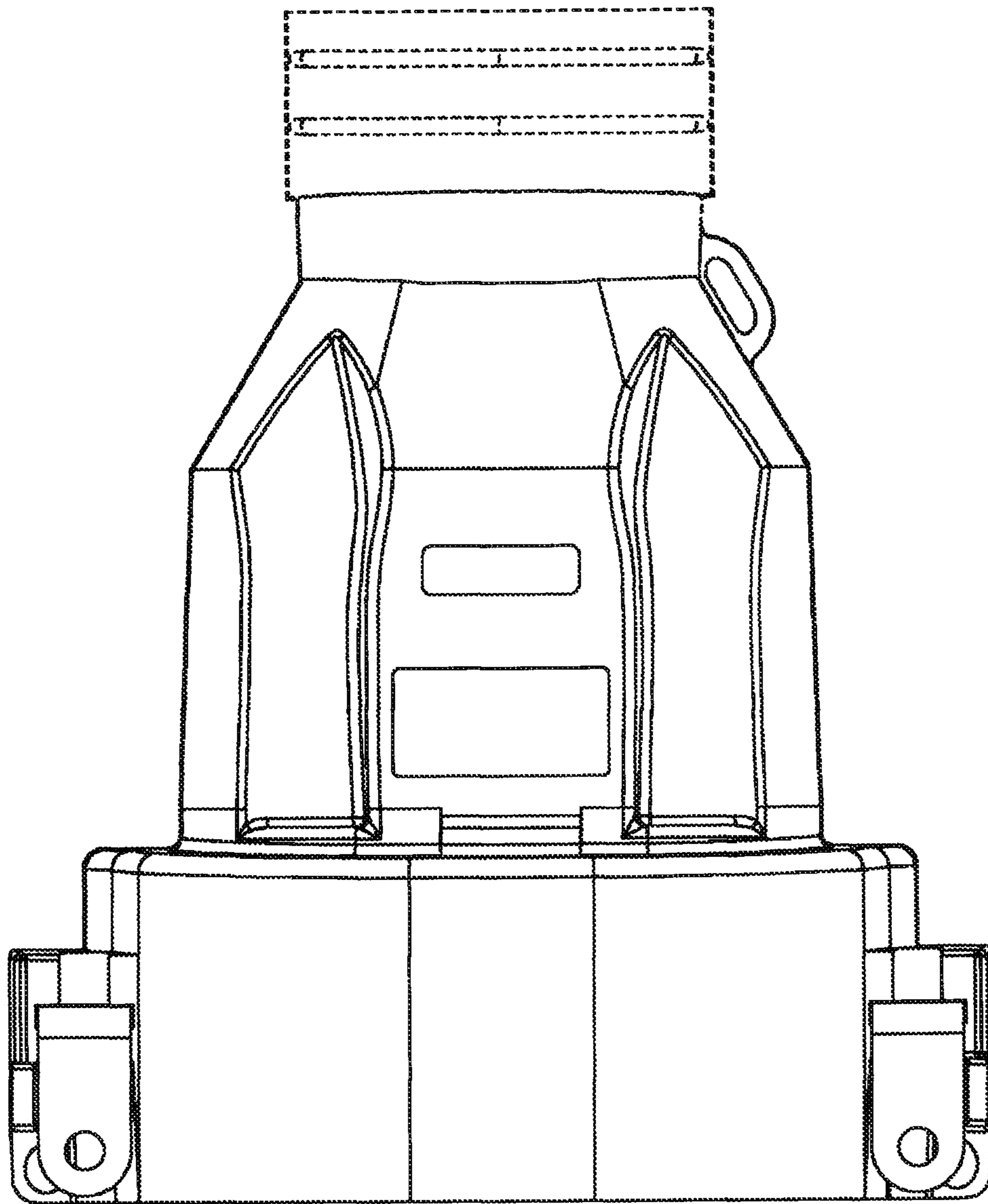


FIG. 2

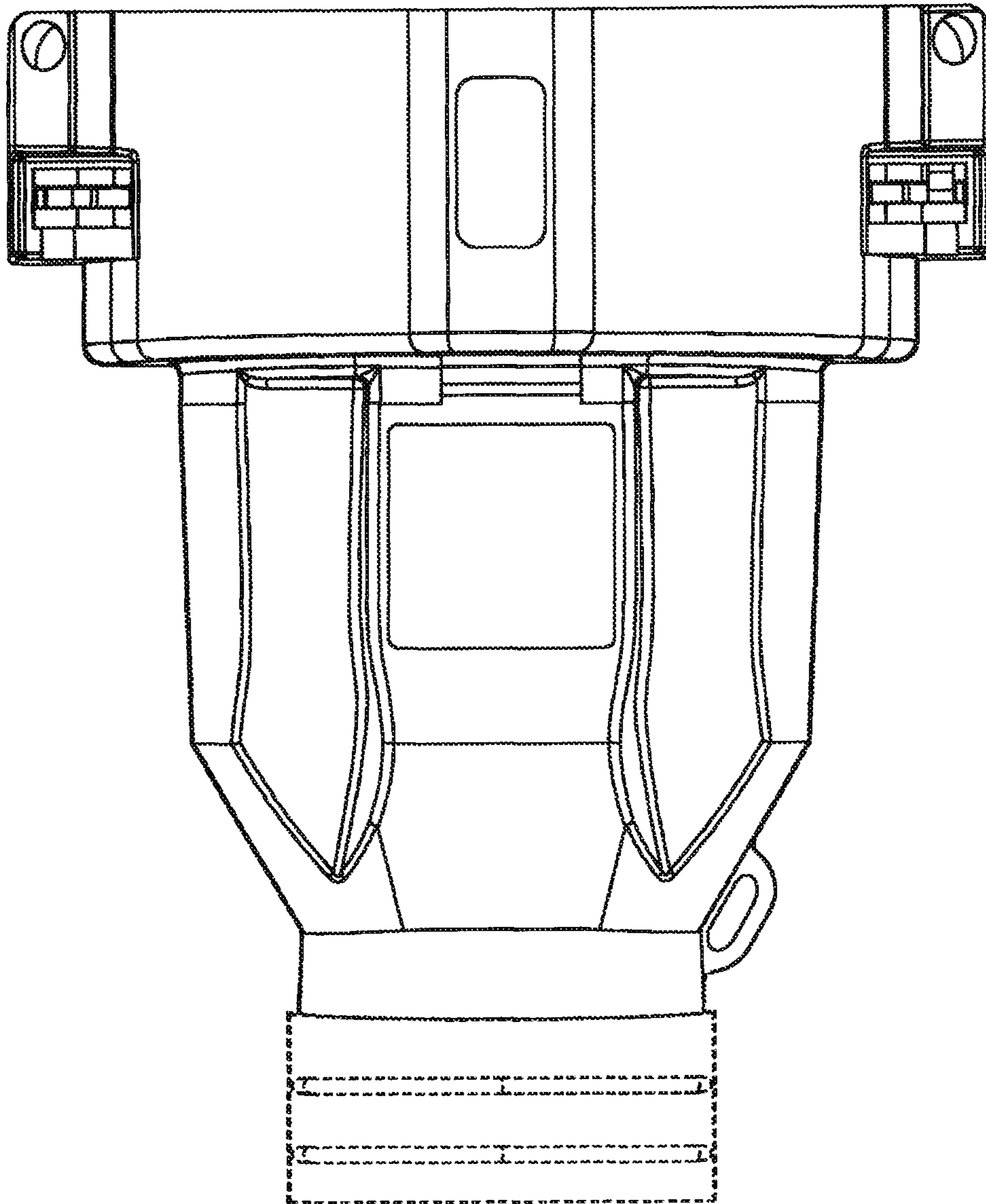


FIG. 3

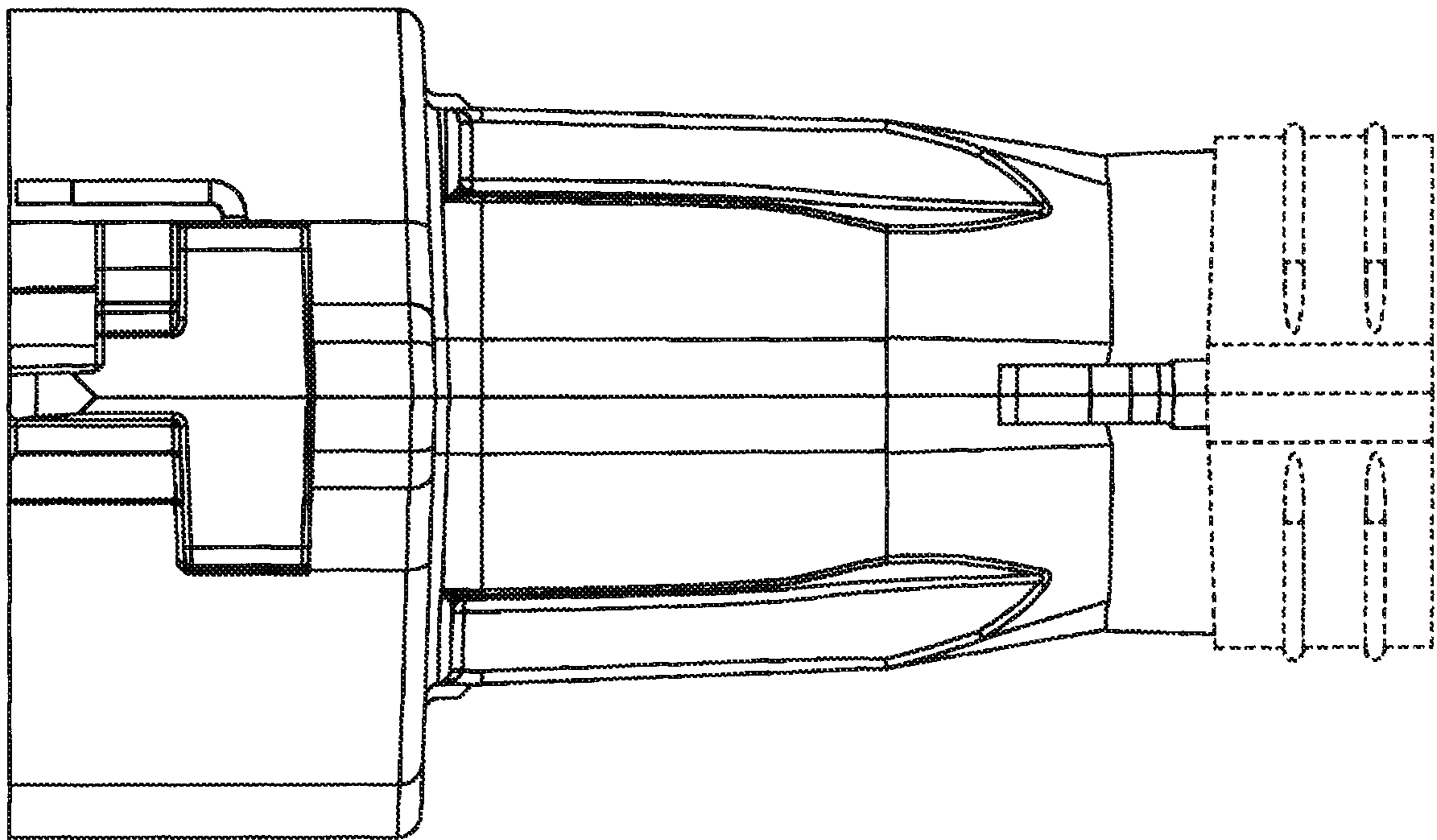


FIG. 4

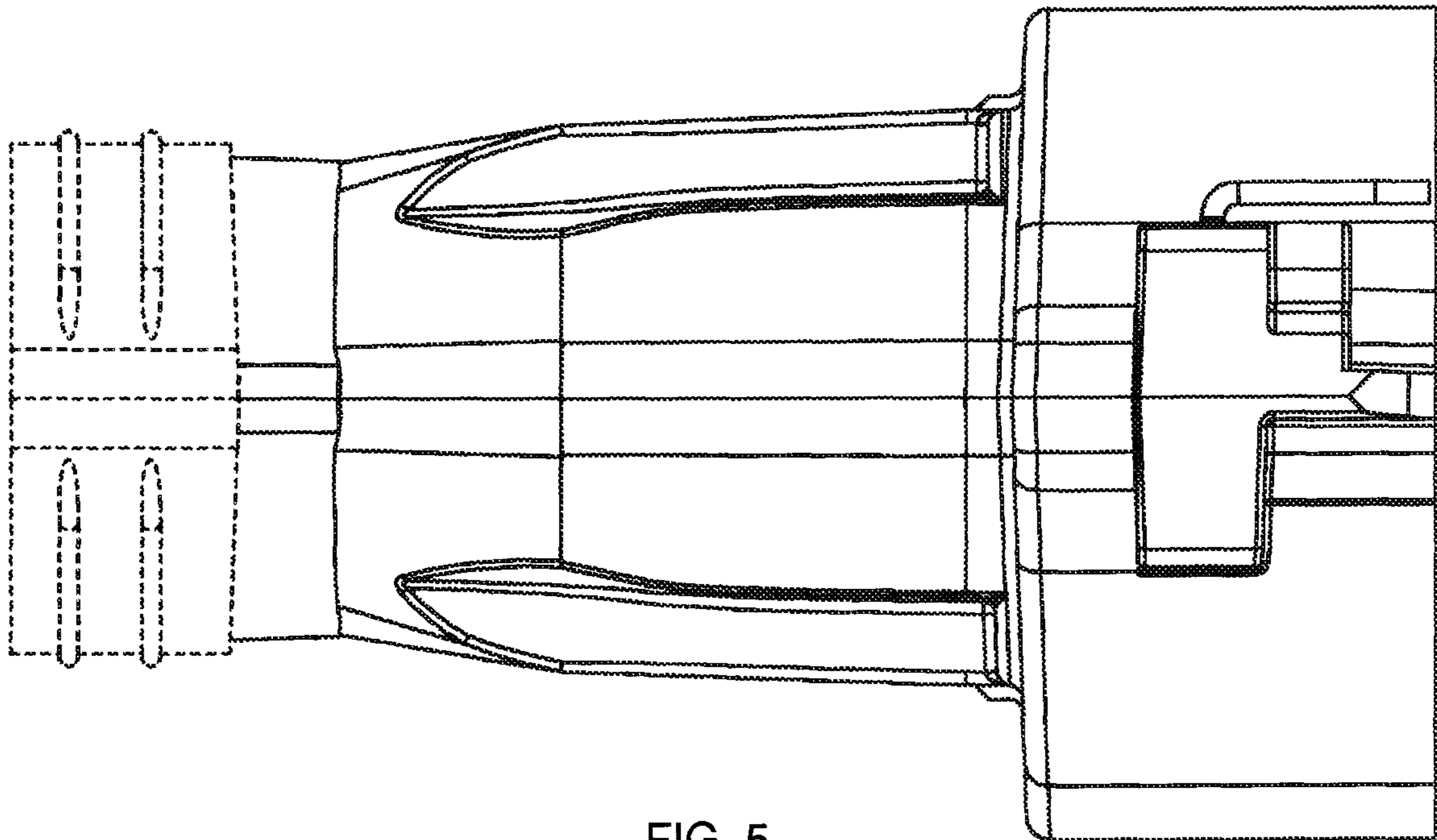


FIG. 5

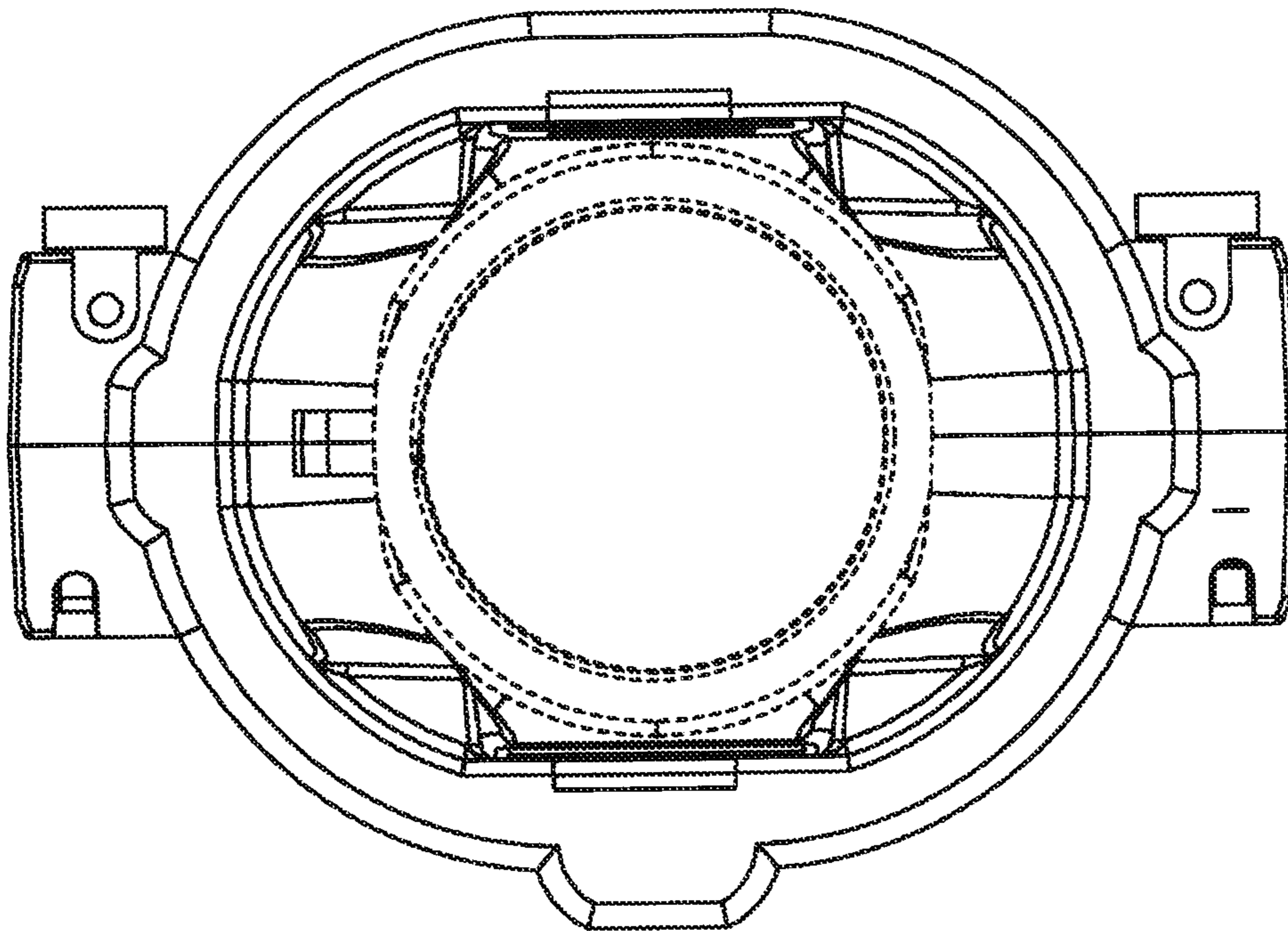


FIG. 6

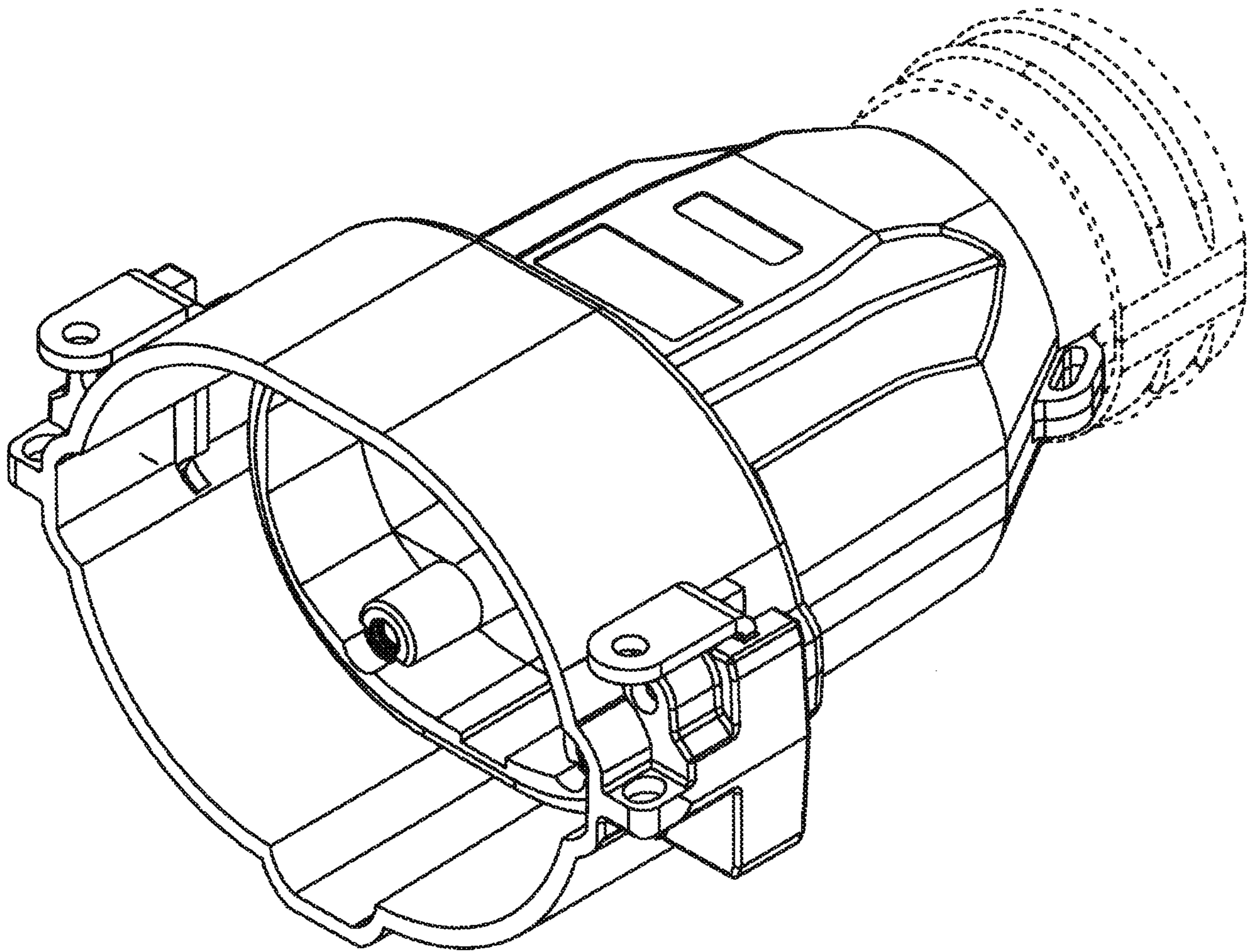


FIG. 7

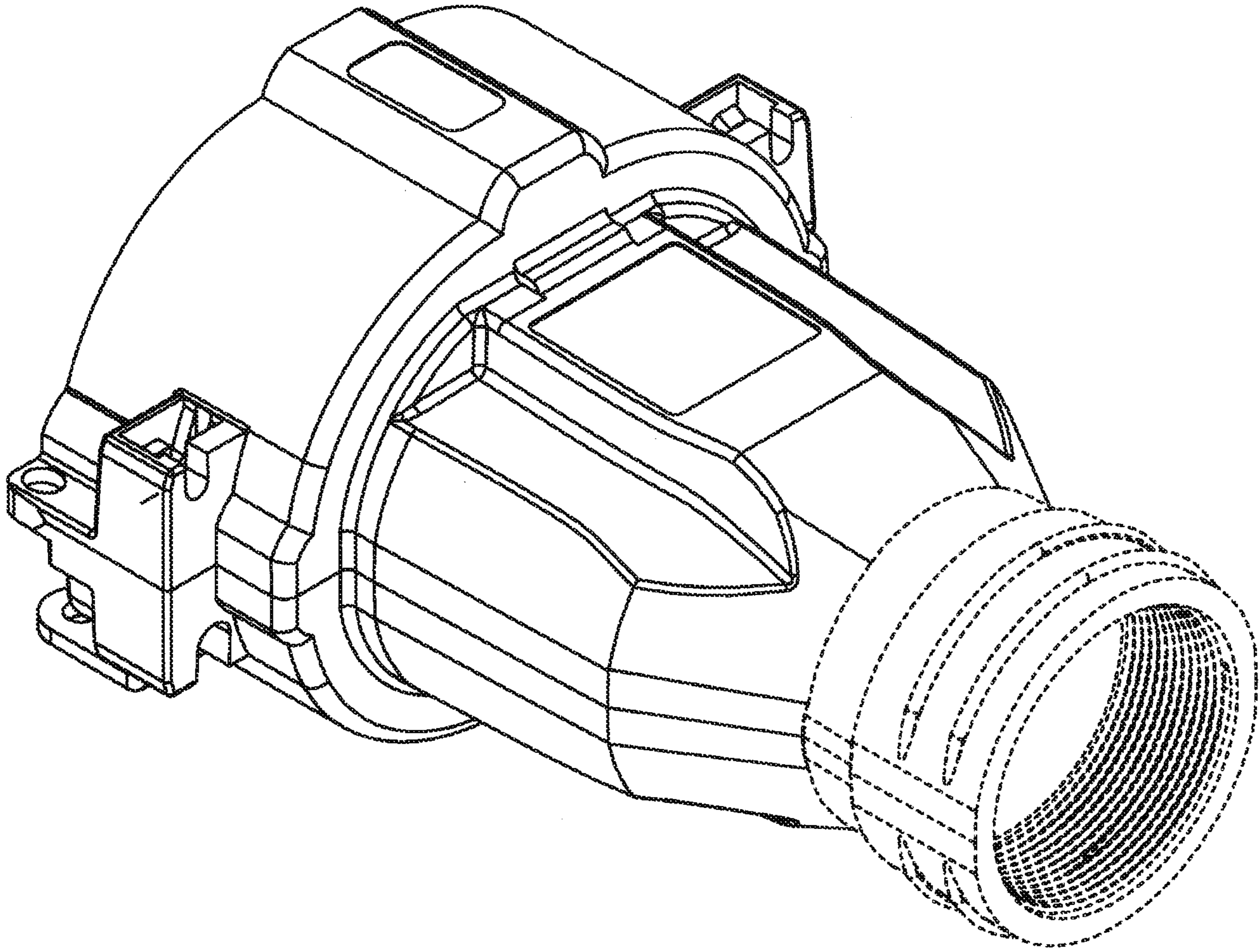


FIG. 8

UNITED STATES PATENT AND TRADEMARK OFFICE
CERTIFICATE OF CORRECTION

PATENT NO. : D636,346 S
APPLICATION NO. : 29/368430
DATED : April 19, 2011
INVENTOR(S) : Christine M. Svelnis, Craig H. Baker and Jeffrey S. Burkhardt

Page 1 of 10

It is certified that error appears in the above-identified patent and that said Letters Patent is hereby corrected as shown below:

The title page should be deleted and substitute therefor the attached title page as shown on the attached pages.

In the Drawings:

Delete drawing sheets 1-8 consisting of figures 1-8, and substitute therefor drawing sheets 1-8 consisting of figures 1-8, as shown on the attached pages.

This certificate supersedes the Certificate of Correction issued November 29, 2011.

Signed and Sealed this
Twelfth Day of June, 2012

A handwritten signature in black ink that reads "David J. Kappos". The signature is written in a cursive, slightly slanted style.

David J. Kappos
Director of the United States Patent and Trademark Office

(12) **United States Design Patent**
Svelnis et al.

(10) **Patent No.:** **US D636,346 S**
(45) **Date of Patent:** **** Apr. 19, 2011**

(54) **RECEPTACLE FOR HI POWER CONNECTOR**

(75) Inventors: **Christine M Svelnis**, Boylston, MA (US); **Craig H Baker**, Shrewsbury, MA (US); **Jeffrey S Burkhardt**, Brookline, NH (US)

(73) Assignee: **Anderson Power Products, Inc.**, Sterling, MA (US)

(**) Term: **14 Years**

(21) Appl. No.: **29/368,430**

(22) Filed: **Aug. 24, 2010**

(51) **LOC (9) Cl.** **13-03**

(52) **U.S. Cl.** **D13/154; D13/156**

(58) **Field of Classification Search** D13/133, D13/146, 147, 154, 156, 184, 199; 439/304, 439/310, 325, 338, 344, 345, 347, 350, 367, 439/370, 374, 527, 533, 607.53, 894, 901, 439/903

See application file for complete search history.

(56) **References Cited**

U.S. PATENT DOCUMENTS

D311,733 S * 10/1990 Kuzuno et al. D13/133
5,127,848 A * 7/1992 Taguchi 439/489

5,651,689 A * 7/1997 Plyler et al. 439/352
D415,999 S * 11/1999 Esposito D13/162
6,171,136 B1 * 1/2001 Liu et al. 439/466
D503,150 S * 3/2005 Yamawaki et al. D13/147
D522,459 S * 6/2006 Chen et al. D13/147
D544,843 S * 6/2007 Sugita et al. D13/148
D599,297 S * 9/2009 Chen D13/147

* cited by examiner

Primary Examiner — Daniel D Bui

(74) *Attorney, Agent, or Firm* -- Vern Maine & Associates

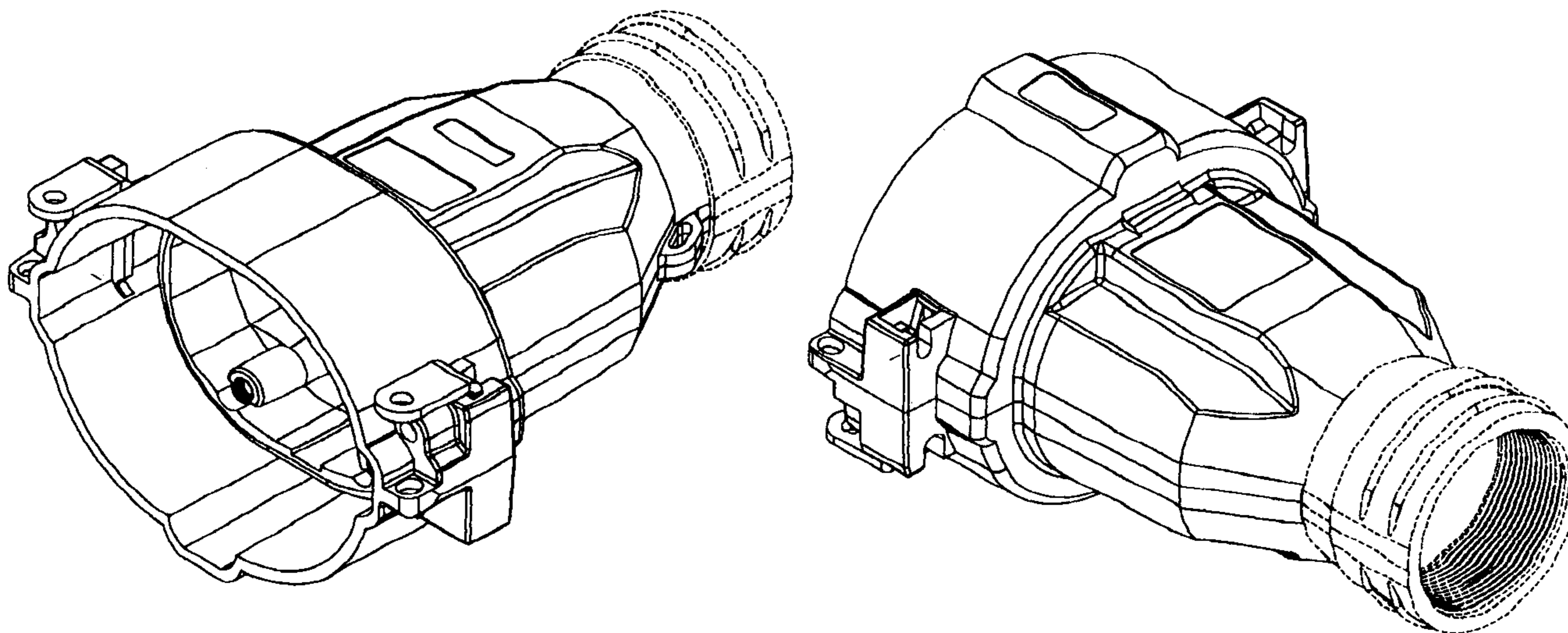
(57) **CLAIM**

The ornamental design for a receptacle for hi power connector, as shown and described.

DESCRIPTION

FIG. 1 is a front view of a receptacle for hi power connector; FIG. 2 is a top view thereof; FIG. 3 is a bottom view thereof; FIG. 4 is a right side view thereof; FIG. 5 is a left side view thereof; FIG. 6 is a back view thereof; FIG. 7 is a front, top perspective view thereof; and, FIG. 8 is a back, bottom perspective view thereof. The broken line portion of the figure drawings is included to show unclaimed subject matter only and forms no part of the claimed design.

1 Claim, 8 Drawing Sheets



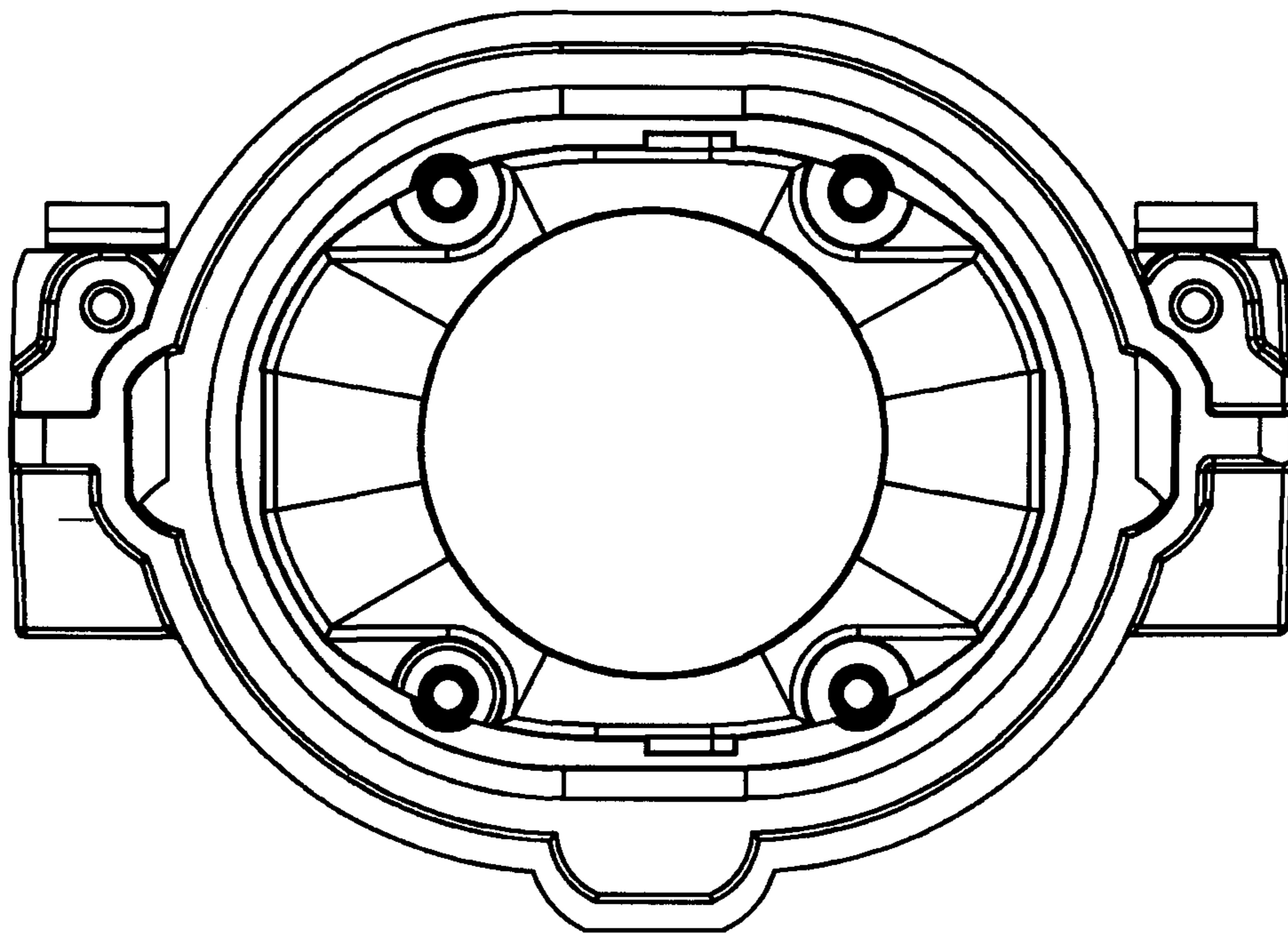


FIG. 1

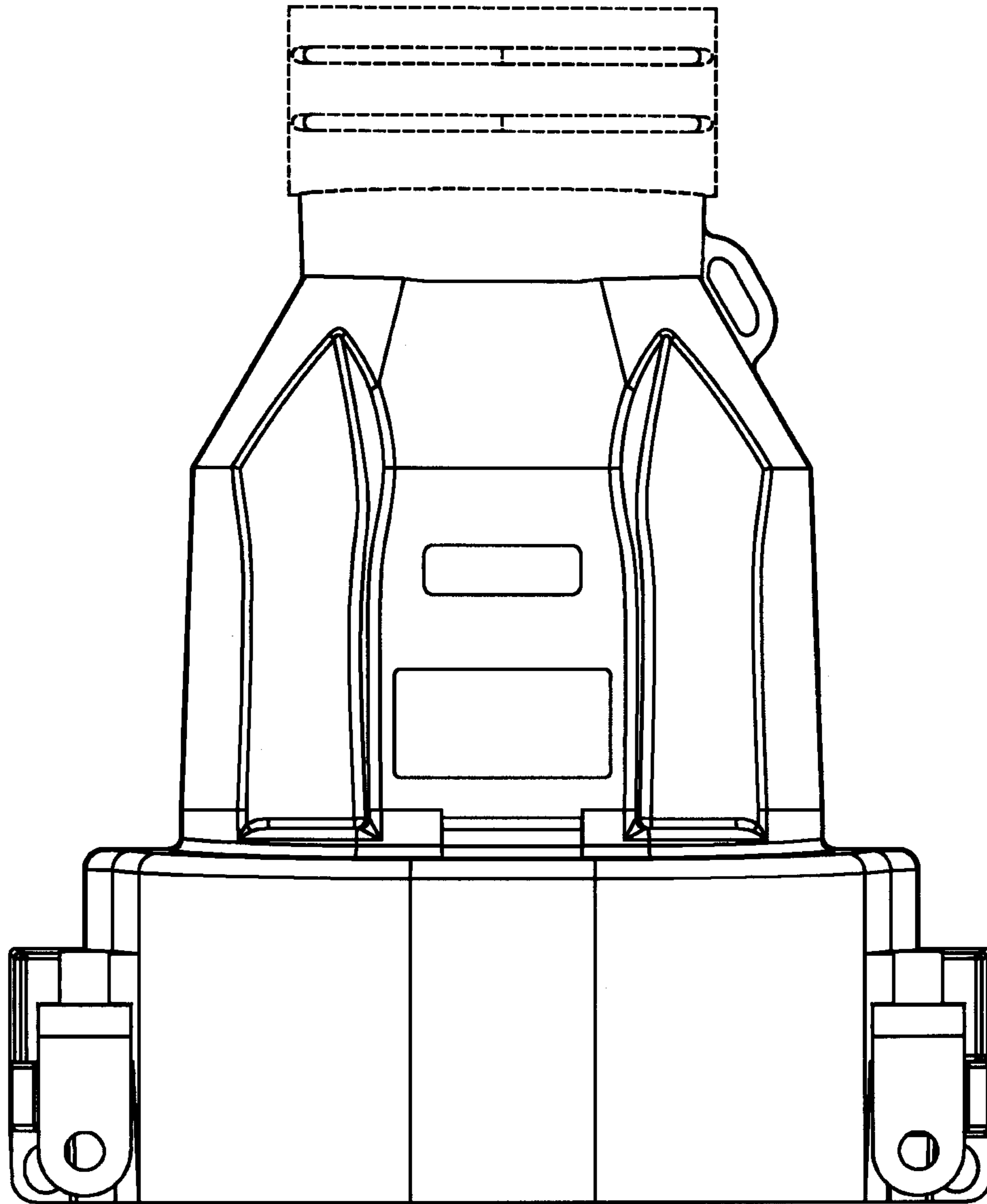


FIG. 2

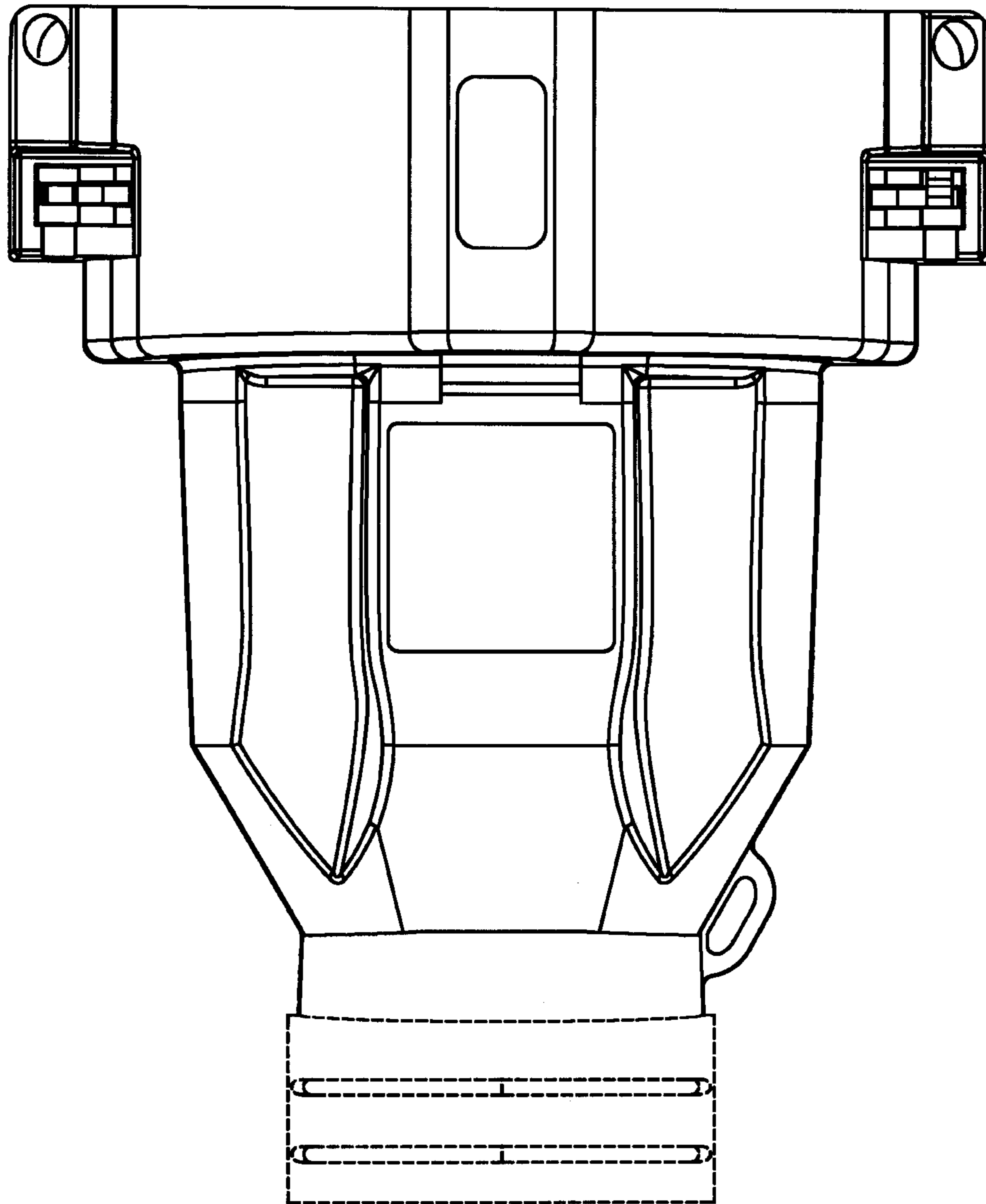


FIG. 3

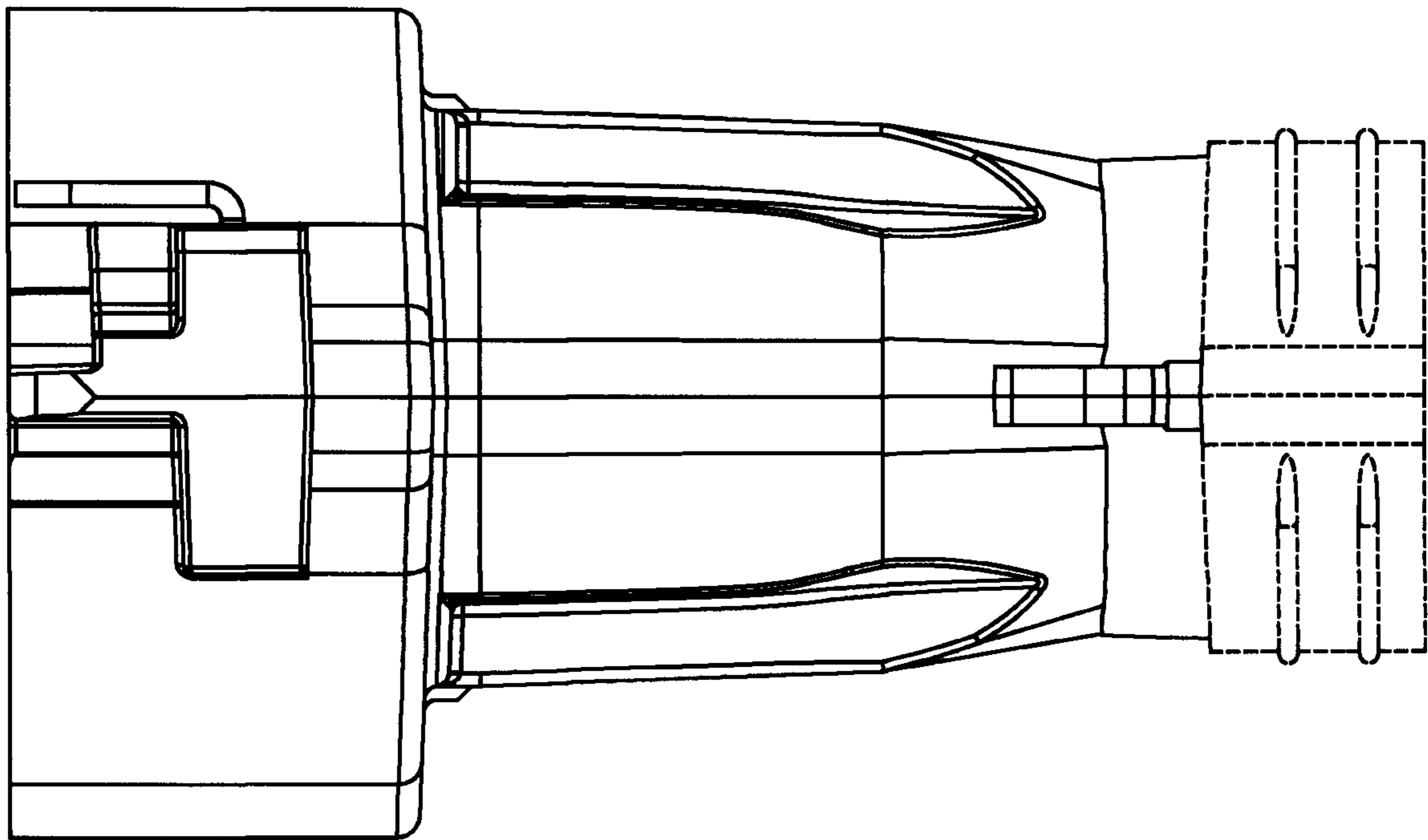


FIG. 4

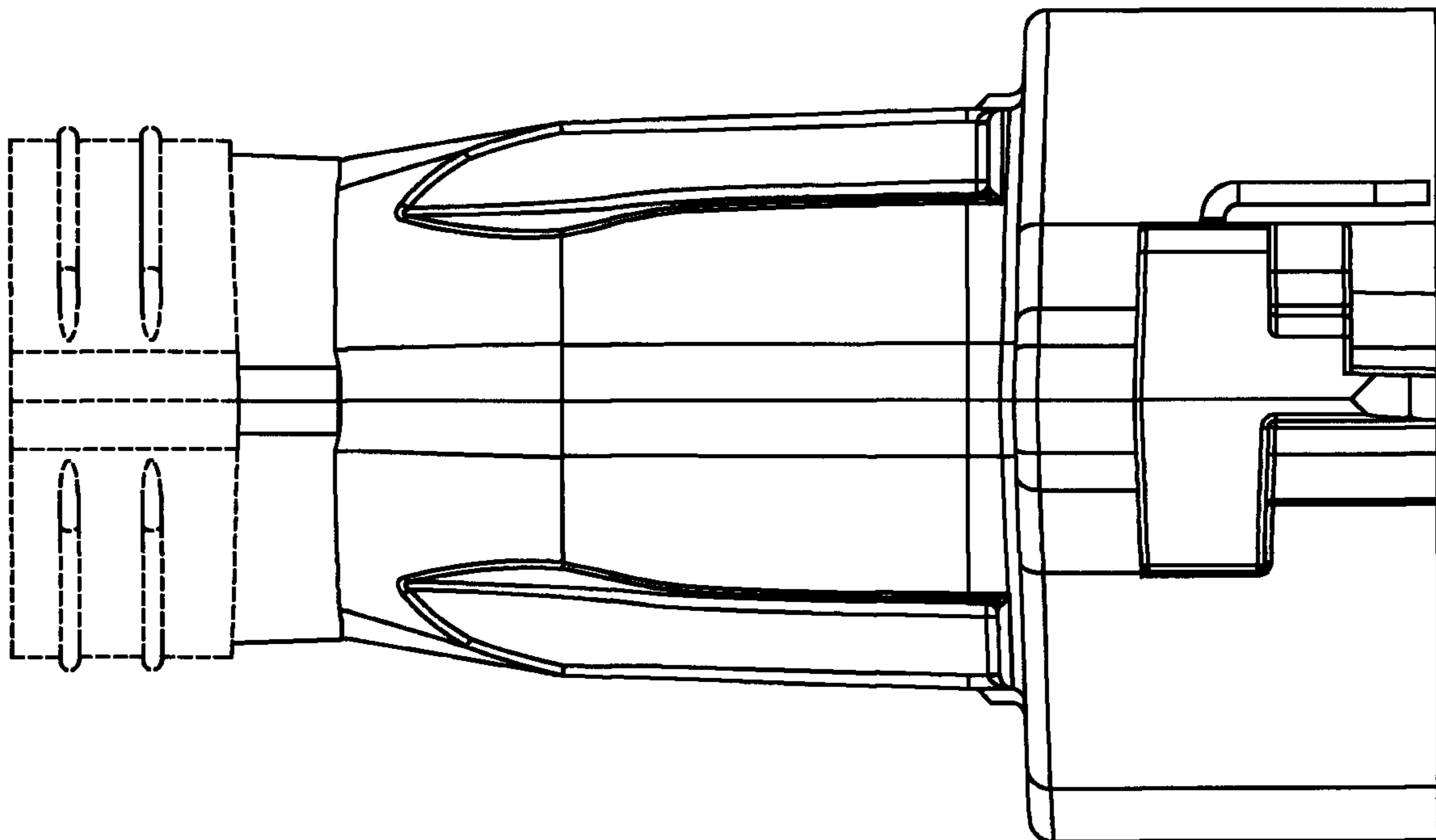


FIG. 5

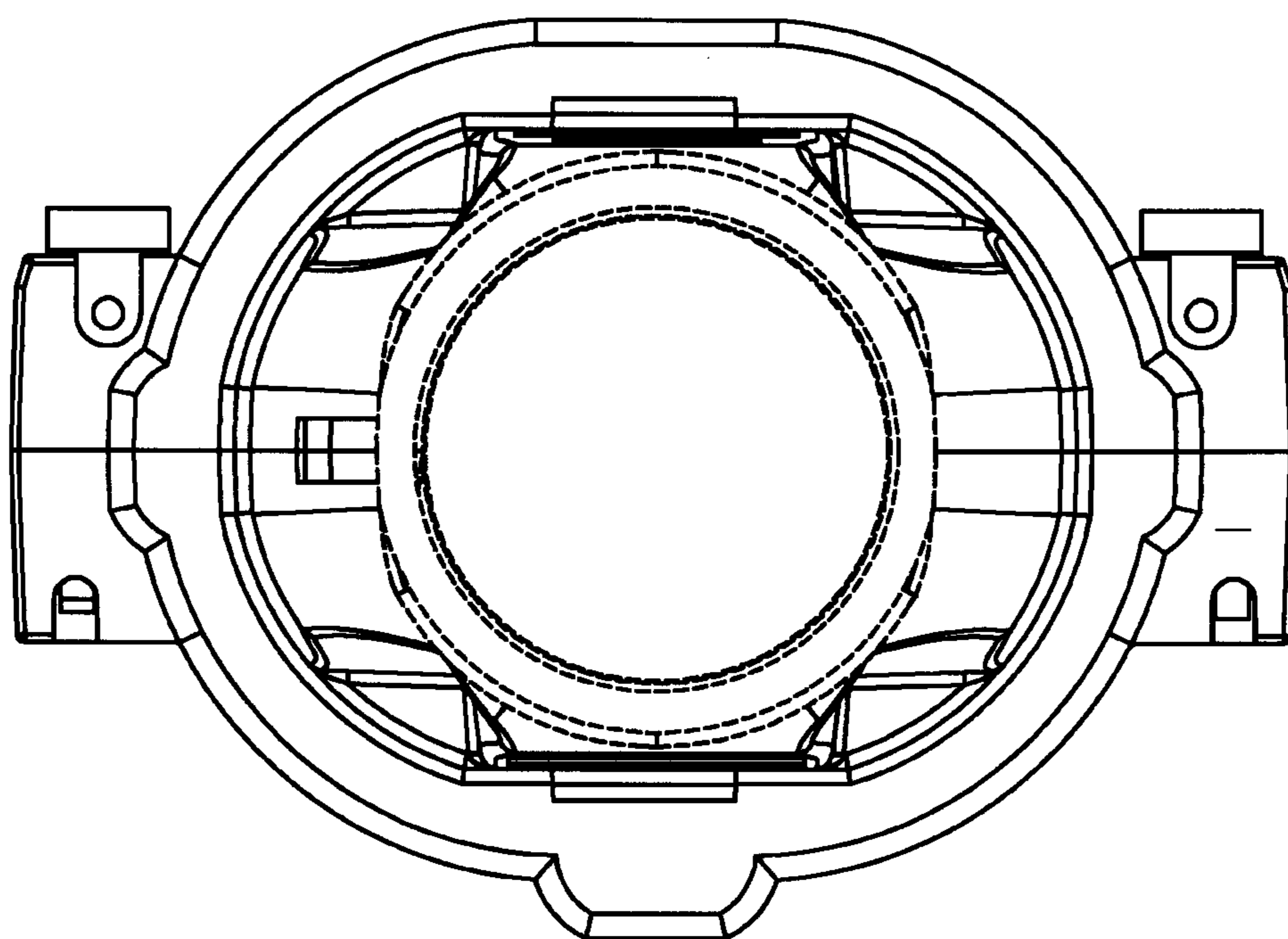


FIG. 6

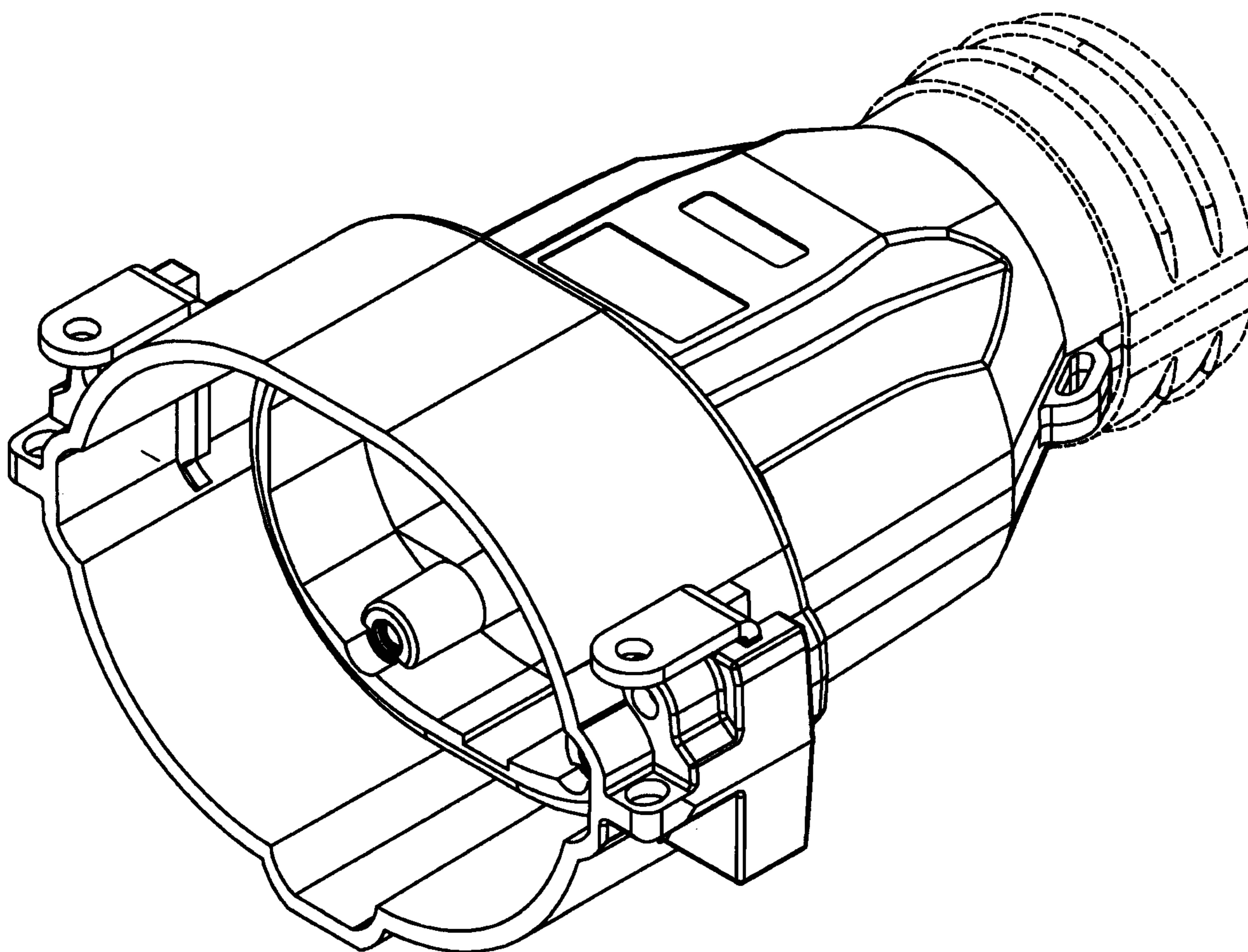


FIG. 7

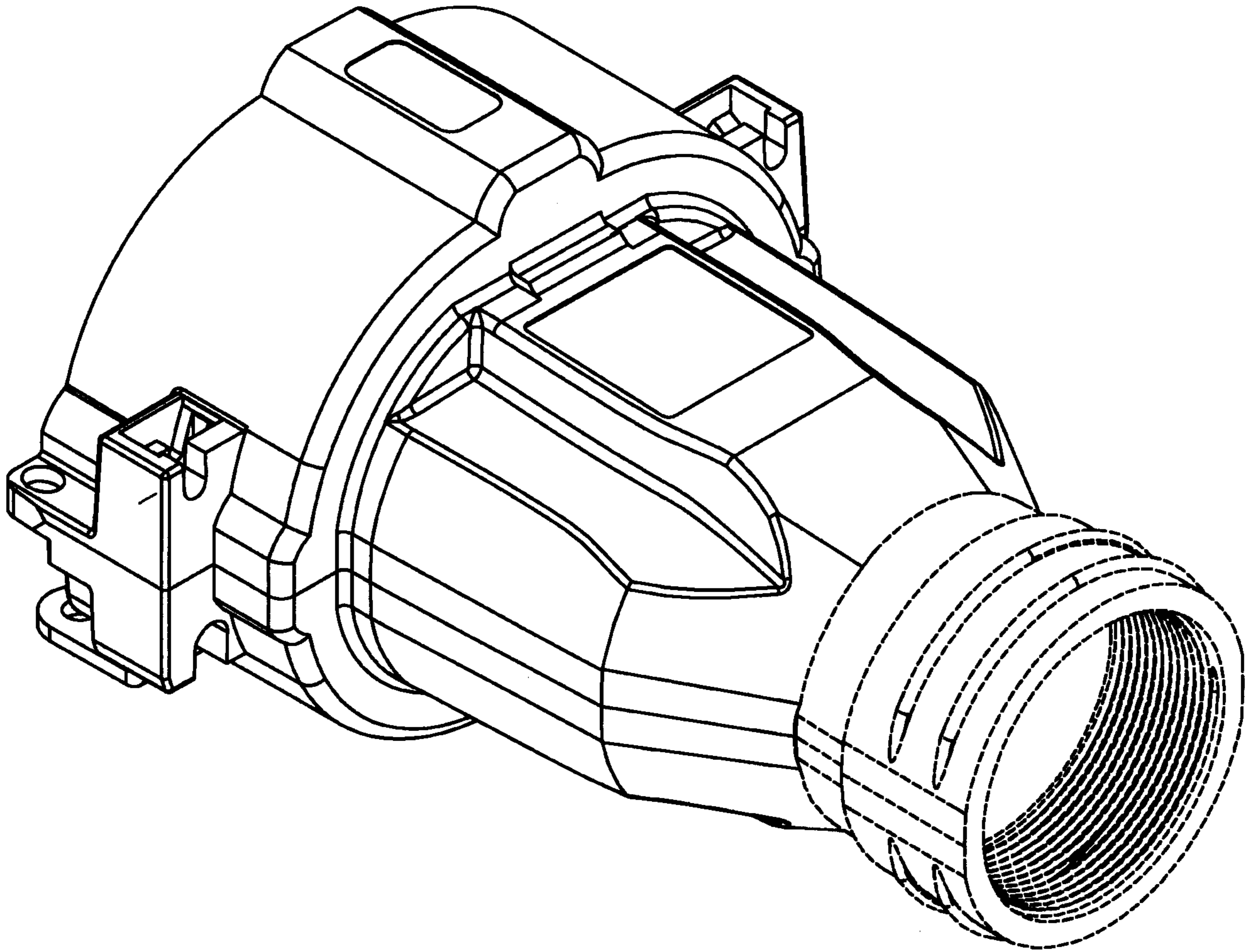


FIG. 8