



US00D636341S

(12) **United States Design Patent**  
**Sasaki et al.**

(10) **Patent No.:** **US D636,341 S**

(45) **Date of Patent:** **\*\* Apr. 19, 2011**

(54) **ELECTRICAL CONNECTOR**

(75) Inventors: **Daisuke Sasaki**, Isesaki (JP); **Junichi Arai**, Isesaki (JP)

(73) Assignee: **Hosiden Corporation**, Yao-shi (JP)

(\*\*) Term: **14 Years**

(21) Appl. No.: **29/369,617**

(22) Filed: **Sep. 10, 2010**

(30) **Foreign Application Priority Data**

Mar. 12, 2010 (JP) ..... 2010-006057

(51) **LOC (9) Cl.** ..... **13-03**

(52) **U.S. Cl.** ..... **D13/147**

(58) **Field of Classification Search** ..... D13/147,  
D13/153, 154, 156, 184, 199; 439/79, 83,  
439/108, 352, 353, 357, 358, 607.01, 607.04,  
439/607.05, 607.17, 607.25, 607.34, 607.41,  
439/607.53, 660, 663, 668, 680, 686

See application file for complete search history.

(56) **References Cited**

**U.S. PATENT DOCUMENTS**

D412,154 S \* 7/1999 Lok ..... D13/147  
D416,540 S \* 11/1999 Sato et al. .... D13/147  
D437,291 S \* 2/2001 Ohtani ..... D13/147  
D447,467 S \* 9/2001 Hisada et al. .... D13/147  
D588,543 S \* 3/2009 Kondo ..... D13/147

D601,974 S \* 10/2009 Igarashi ..... D13/154  
D628,537 S \* 12/2010 Nagata et al. .... D13/147  
2005/0181670 A1 \* 8/2005 Kumamoto et al. .... 439/607  
2007/0141890 A1 \* 6/2007 Koyama ..... 439/358  
2009/0286419 A1 \* 11/2009 Koyama et al. .... 439/358

\* cited by examiner

*Primary Examiner* — Daniel D Bui

(74) *Attorney, Agent, or Firm* — Kratz, Quintos & Hanson, LLP

(57) **CLAIM**

The ornamental design for an electrical connector, as shown and described.

**DESCRIPTION**

FIG. 1 is a front elevation view of an electrical connector showing our new design;  
FIG. 2 is a back elevation view thereof;  
FIG. 3 is a top plan view thereof;  
FIG. 4 is a bottom plan view thereof;  
FIG. 5 is a right side elevation view thereof;  
FIG. 6 is a left side elevation view thereof;  
FIG. 7 is a top, front and right side perspective view thereof; and,  
FIG. 8 is a top, back and left side perspective view thereof.  
The broken line shown in the drawing is included for the purpose of illustrating environment and forms no part of the claimed design.

**1 Claim, 8 Drawing Sheets**

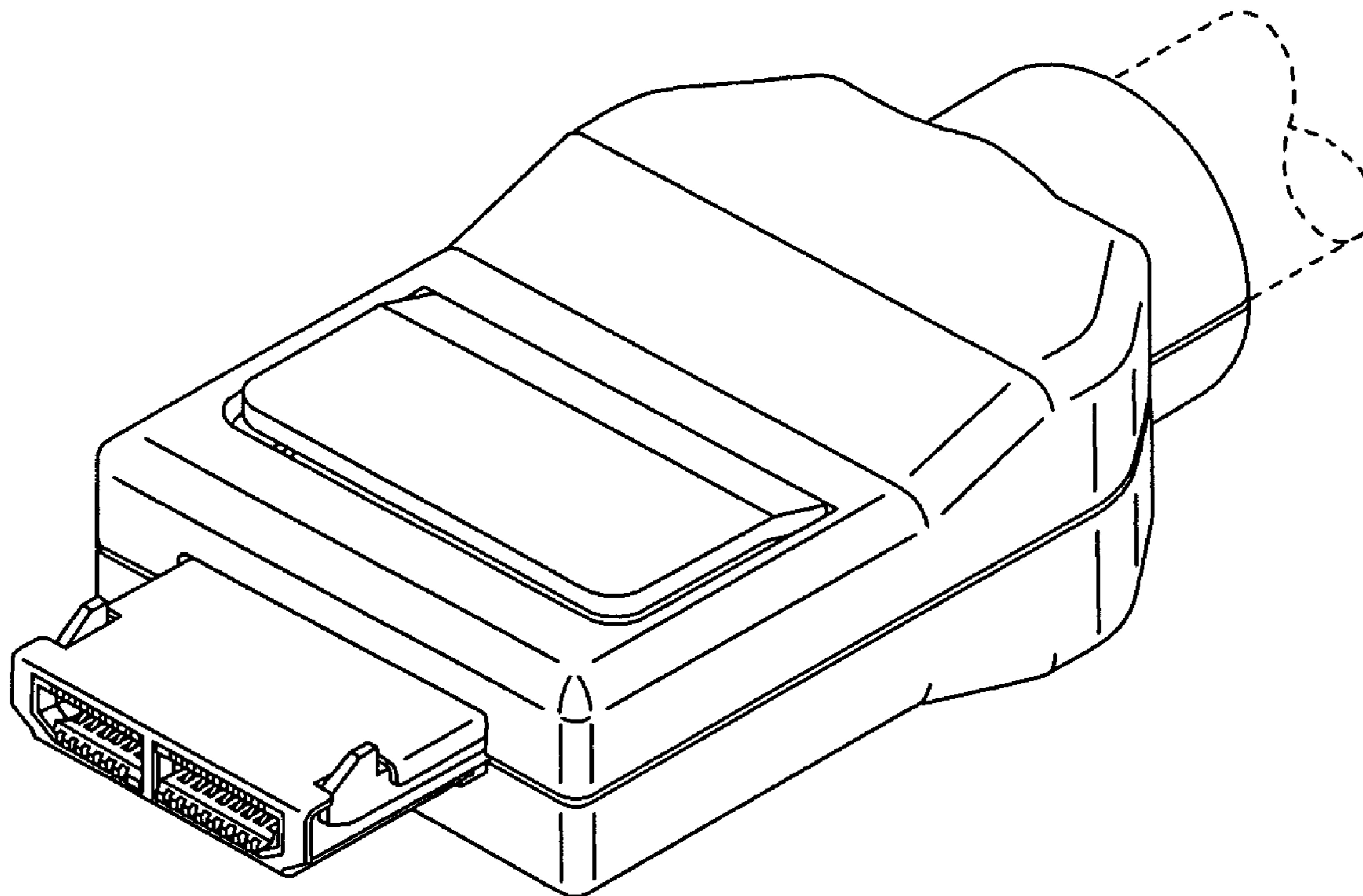


Fig. 1

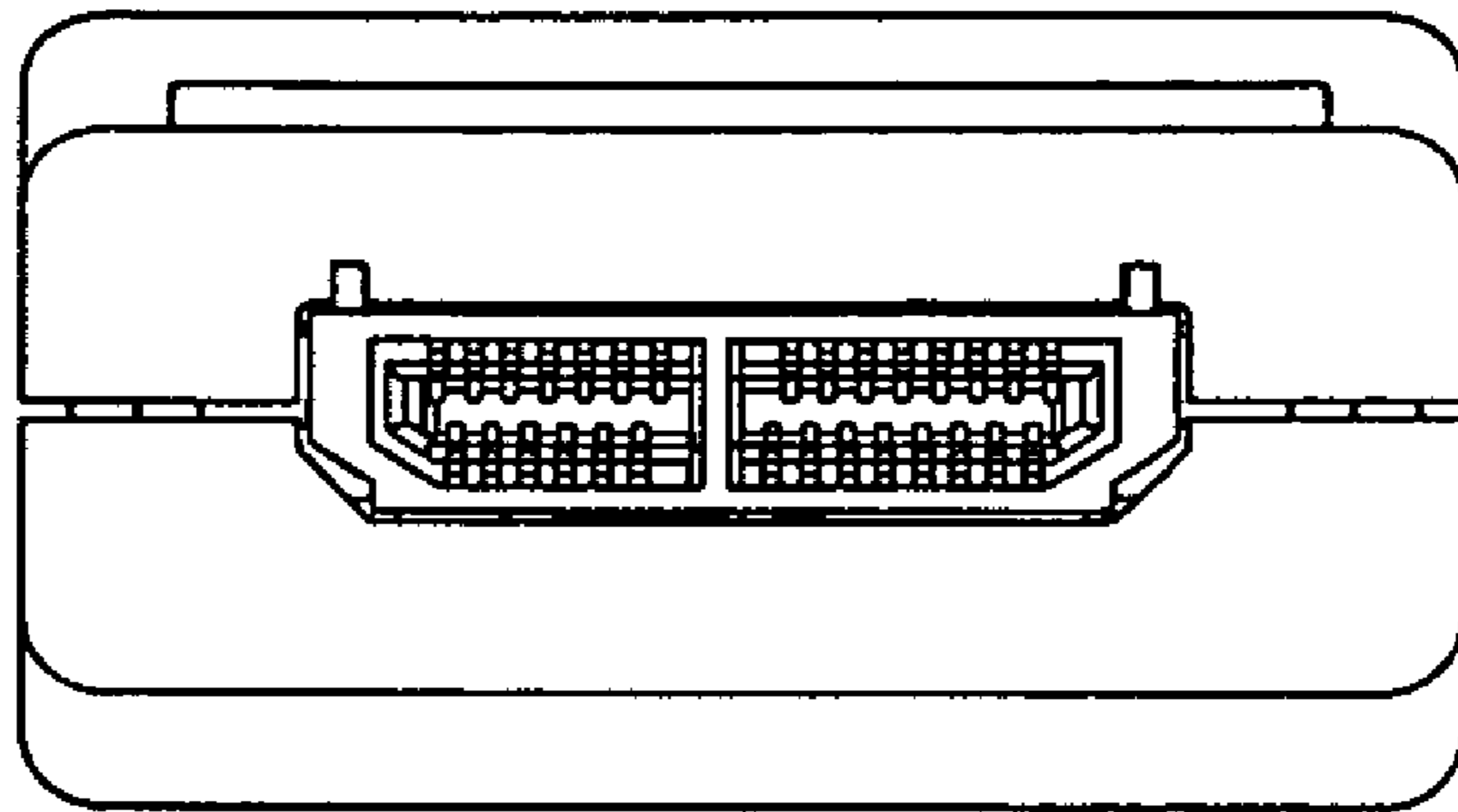


Fig. 2

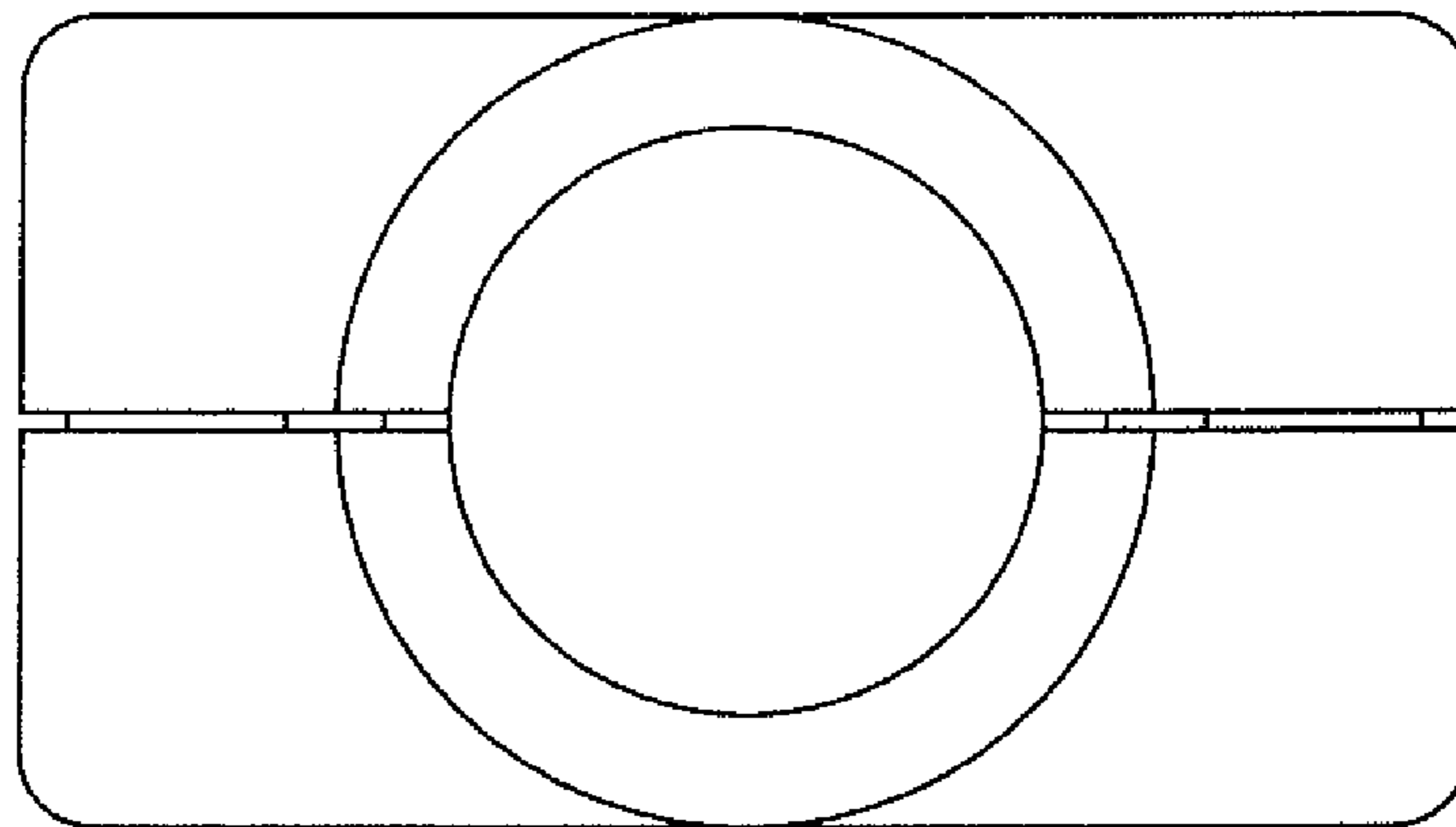


Fig. 3

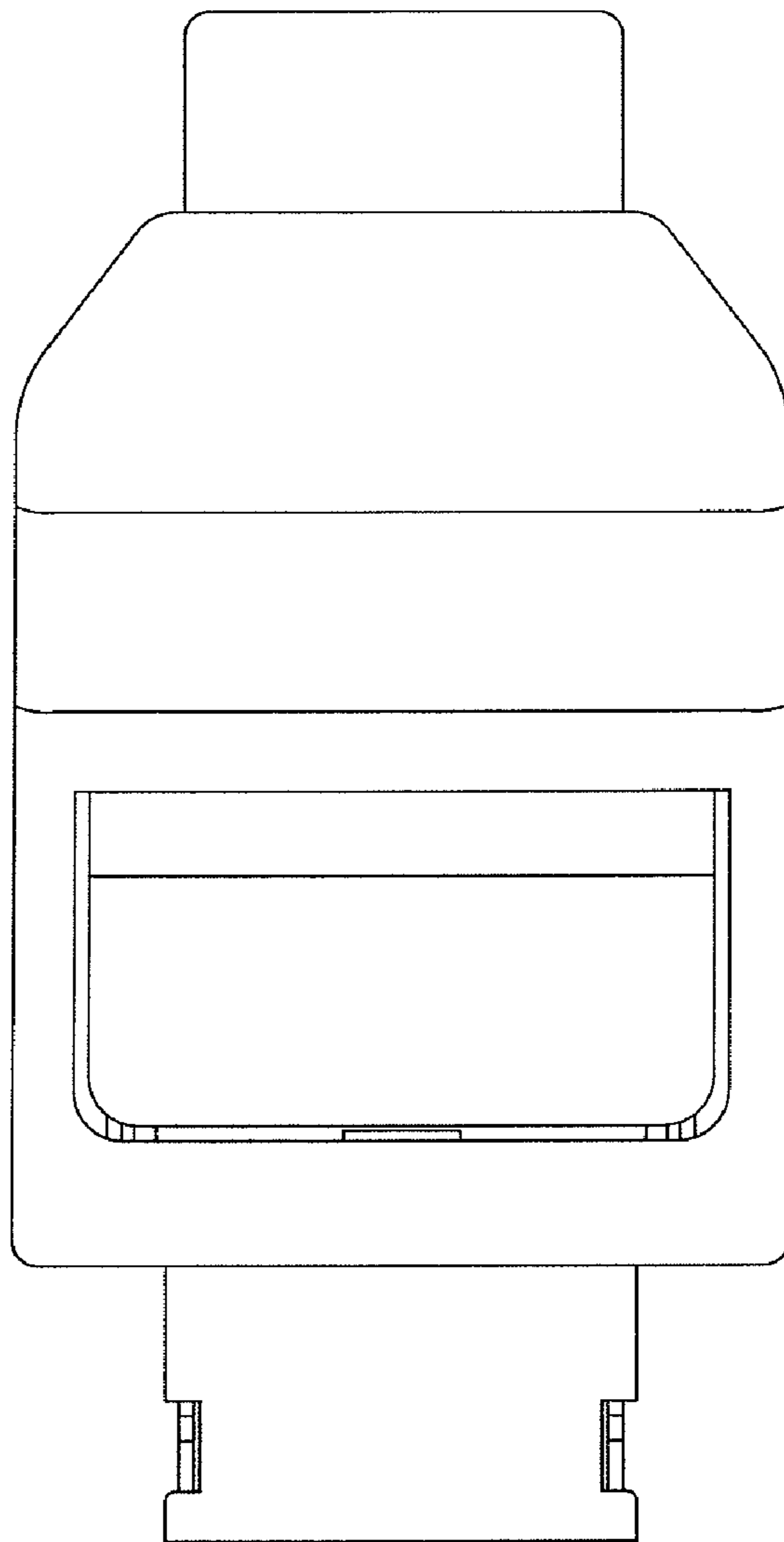


Fig. 4

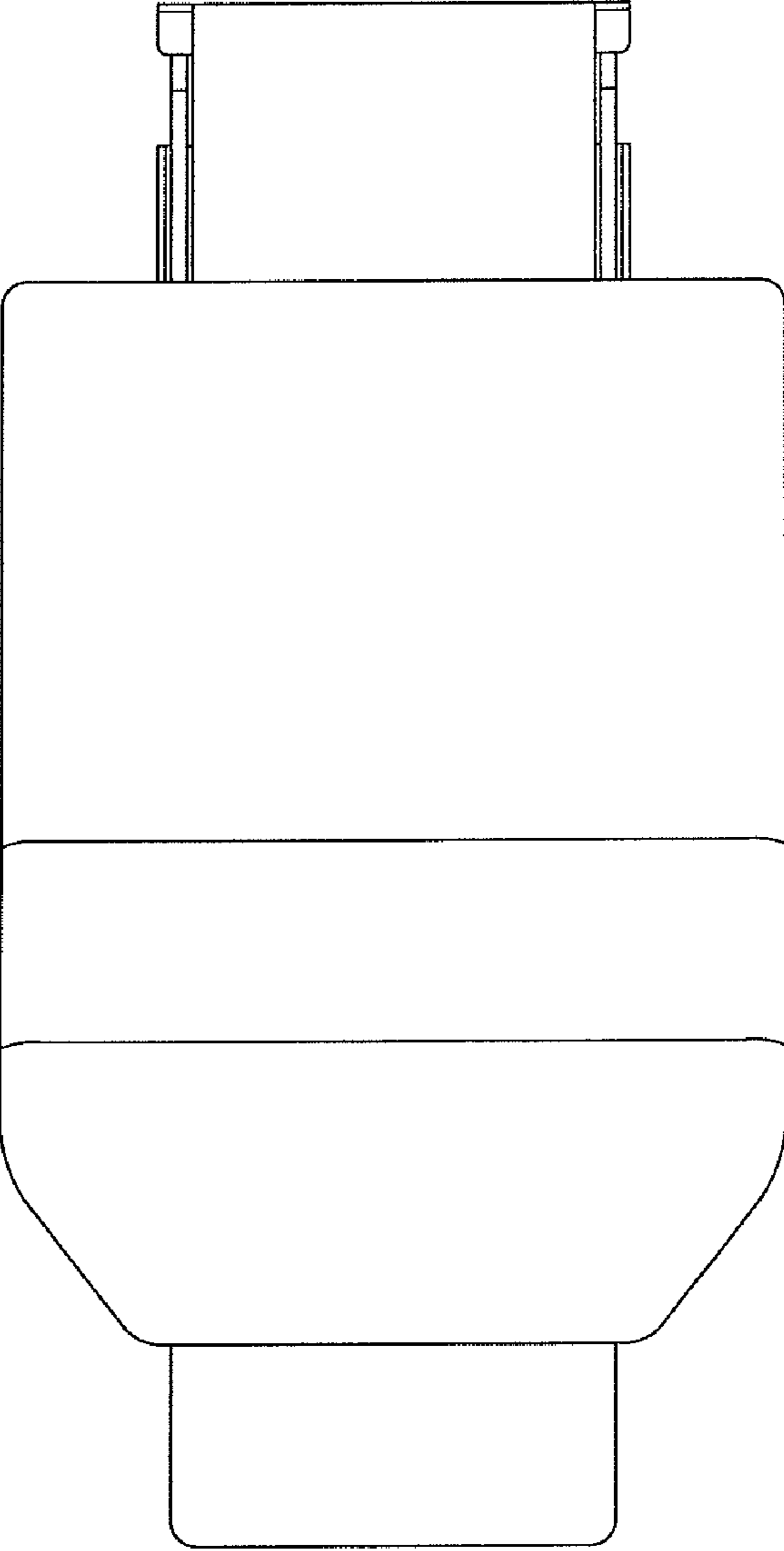


Fig. 5

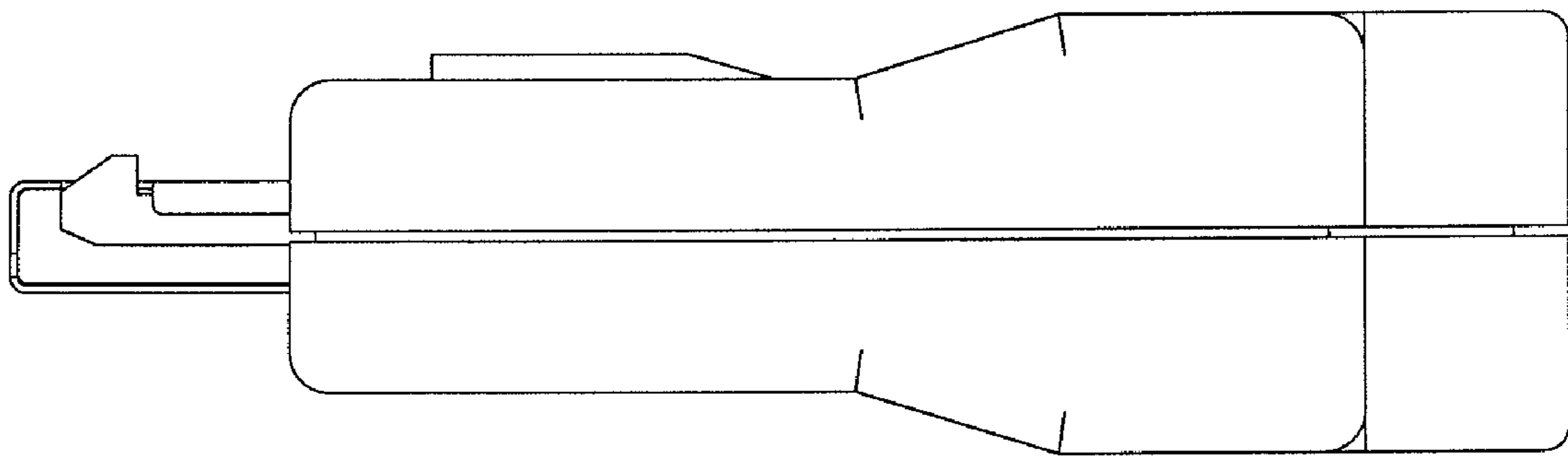


Fig. 6

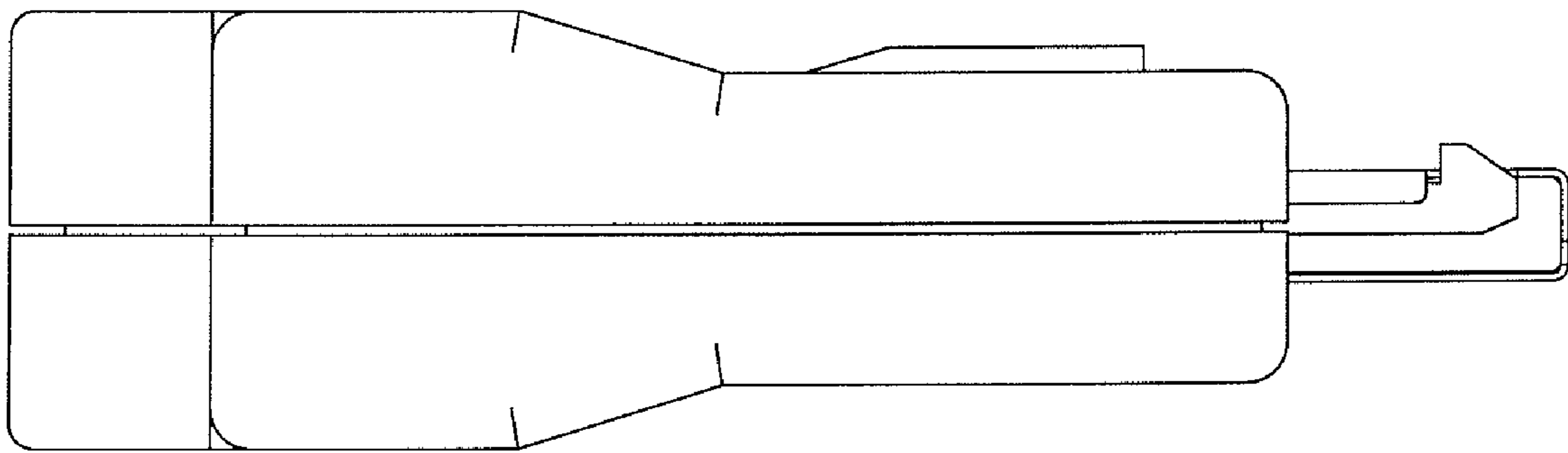


Fig. 7

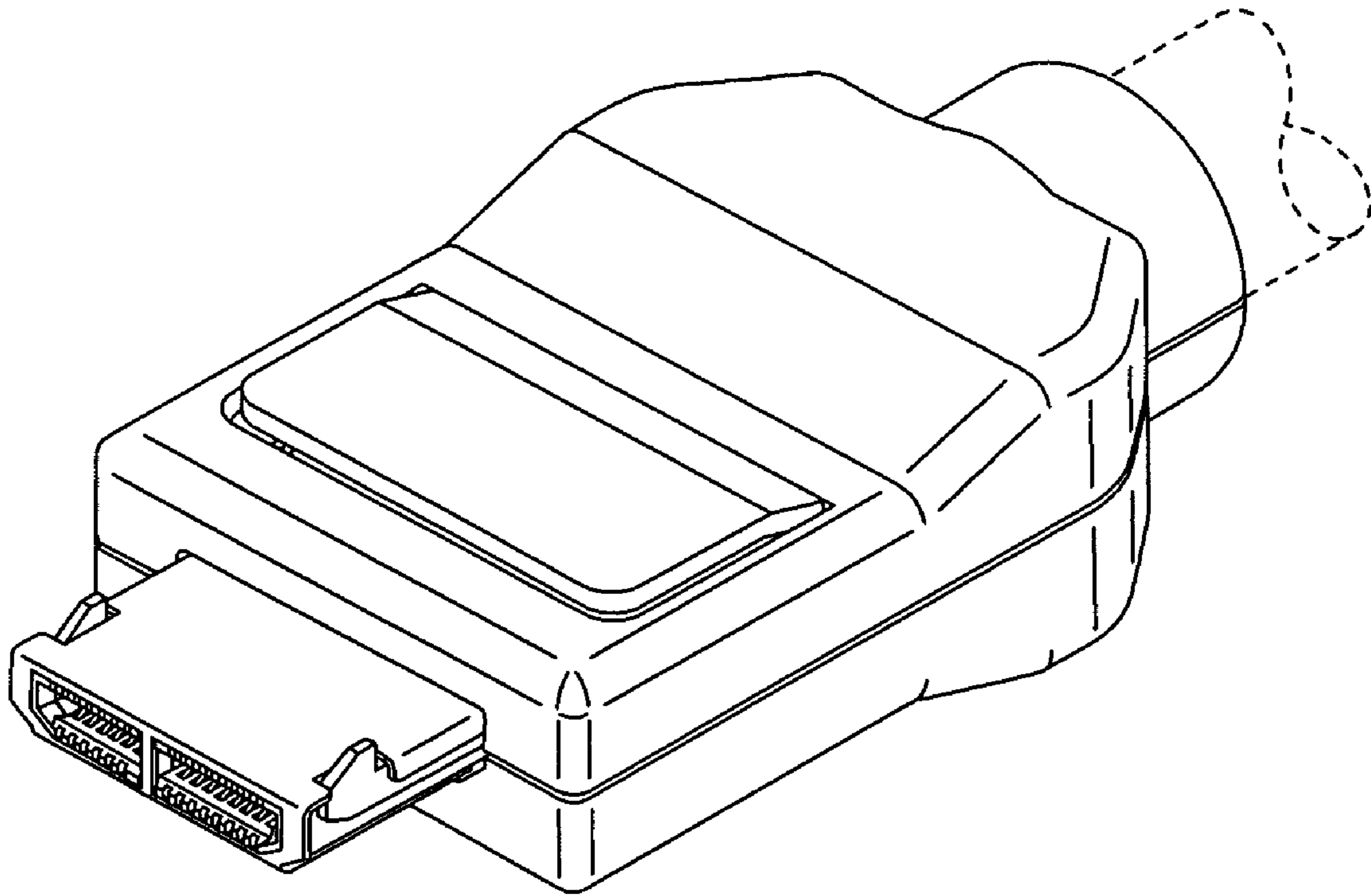




Fig. 8

