



US00D636337S

(12) **United States Design Patent**  
**Smith et al.**

(10) **Patent No.:** **US D636,337 S**

(45) **Date of Patent:** **\*\* Apr. 19, 2011**

(54) **CABLE CONNECTOR**

(75) Inventors: **Dustin Jonathan Smith**, Kitchener (CA); **Anders Fahrendorff**, Ottawa (CA); **Sergei Streltsov**, Kitchener (CA); **Todd Andrew Wood**, Guelph (CA)

(73) Assignee: **Research In Motion Limited**, Waterloo, Ontario (CA)

(\*\*) Term: **14 Years**

(21) Appl. No.: **29/356,536**

(22) Filed: **Feb. 26, 2010**

(51) **LOC (9) Cl.** ..... **13-03**

(52) **U.S. Cl.** ..... **D13/147; D13/153**

(58) **Field of Classification Search** ..... D13/133, D13/146-147, 153, 154, 156, 184; 439/476.1, 439/489, 502, 505, 578, 607.01, 607.04, 439/607.05, 607.06, 607.17, 607.21, 607.23, 439/607.25, 607.34, 607.41, 607.53, 623, 439/660, 668, 680

See application file for complete search history.

(56) **References Cited**

**U.S. PATENT DOCUMENTS**

D381,629 S \* 7/1997 Goto ..... D13/147  
D522,463 S \* 6/2006 Novotney et al. .... D13/154

D548,700 S \* 8/2007 Ledbetter et al. .... D13/154  
D585,835 S \* 2/2009 Jaqua et al. .... D13/154  
D588,545 S \* 3/2009 Andre et al. .... D13/154  
D600,652 S \* 9/2009 Hong et al. .... D13/154  
D619,963 S \* 7/2010 Hou ..... D13/133

\* cited by examiner

*Primary Examiner* — Daniel D Bui

(57) **CLAIM**

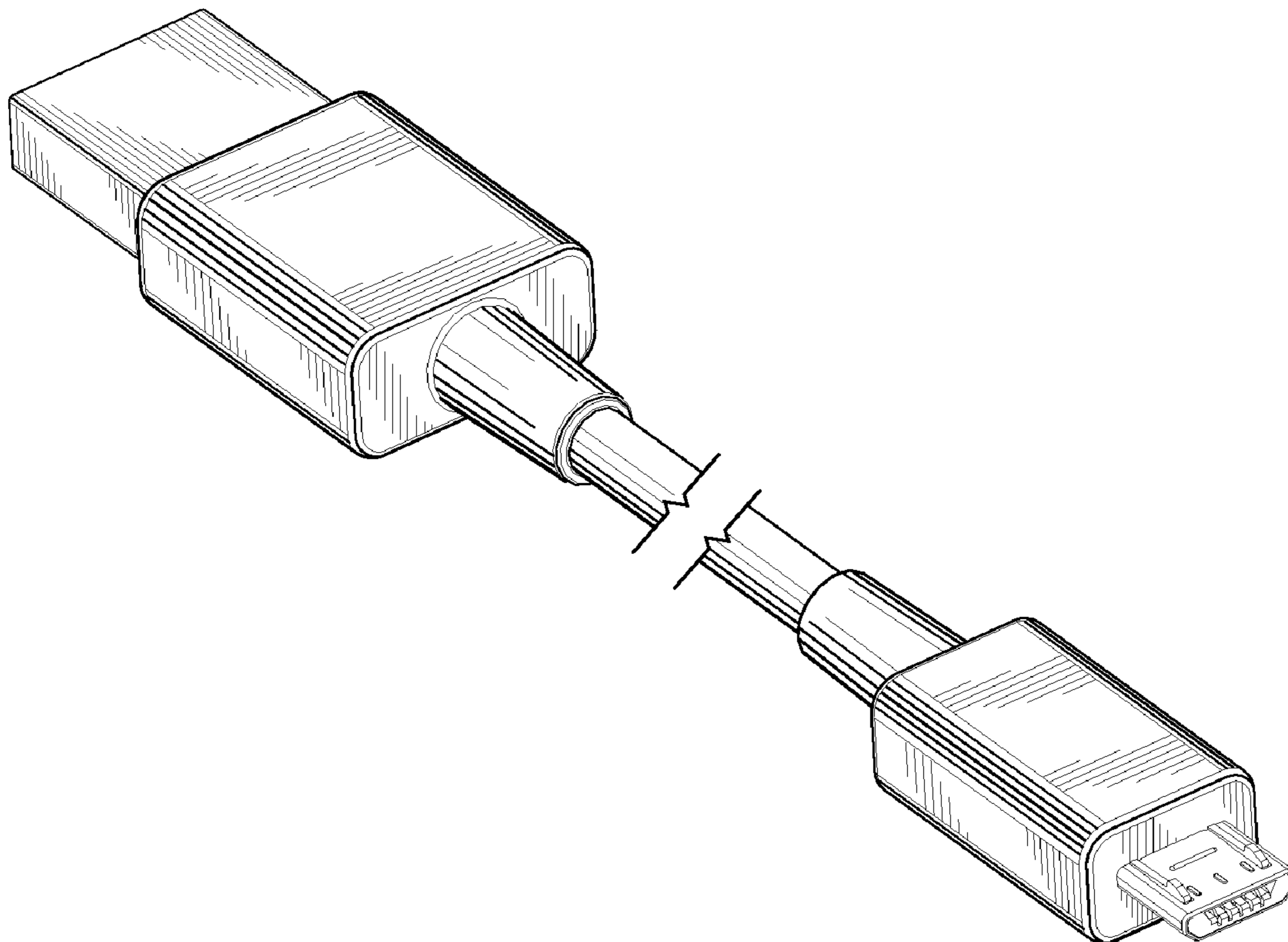
The ornamental design for a cable connector, as shown and described.

**DESCRIPTION**

FIG. 1 is a top, front and right side perspective view of a cable connector showing our new design;  
FIG. 2 is a bottom, back and left side perspective view thereof;  
FIG. 3 is a bottom plan view thereof;  
FIG. 4 is a top plan view thereof;  
FIG. 5 is a right side elevation view thereof;  
FIG. 6 is a left side elevation view thereof;  
FIG. 7 is a back elevation view thereof; and,  
FIG. 8 is a front elevation view thereof.

The broken line portion of the figure drawings is included to show unclaimed subject matter only and forms no part of the claimed design.

**1 Claim, 4 Drawing Sheets**



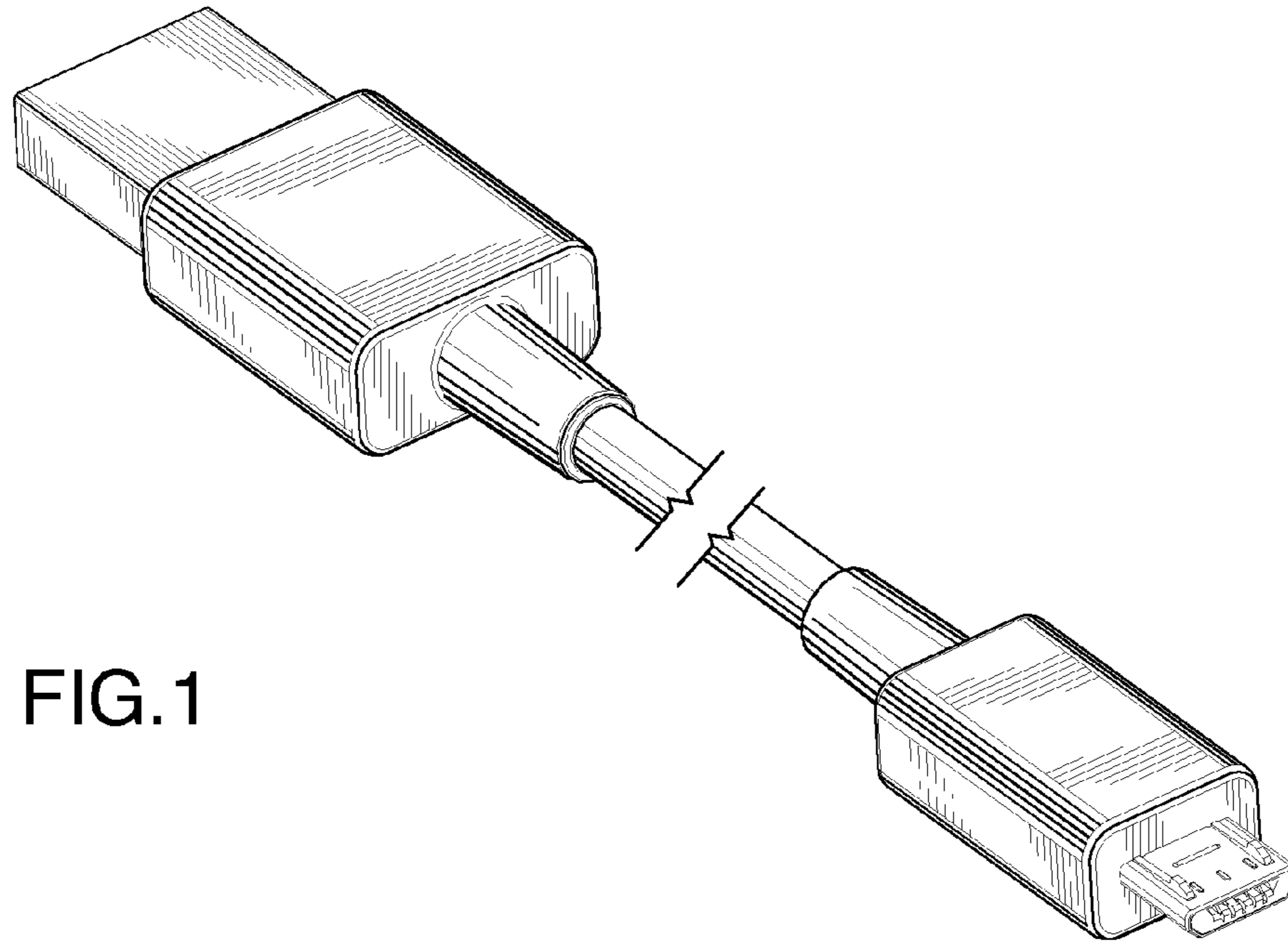


FIG.1

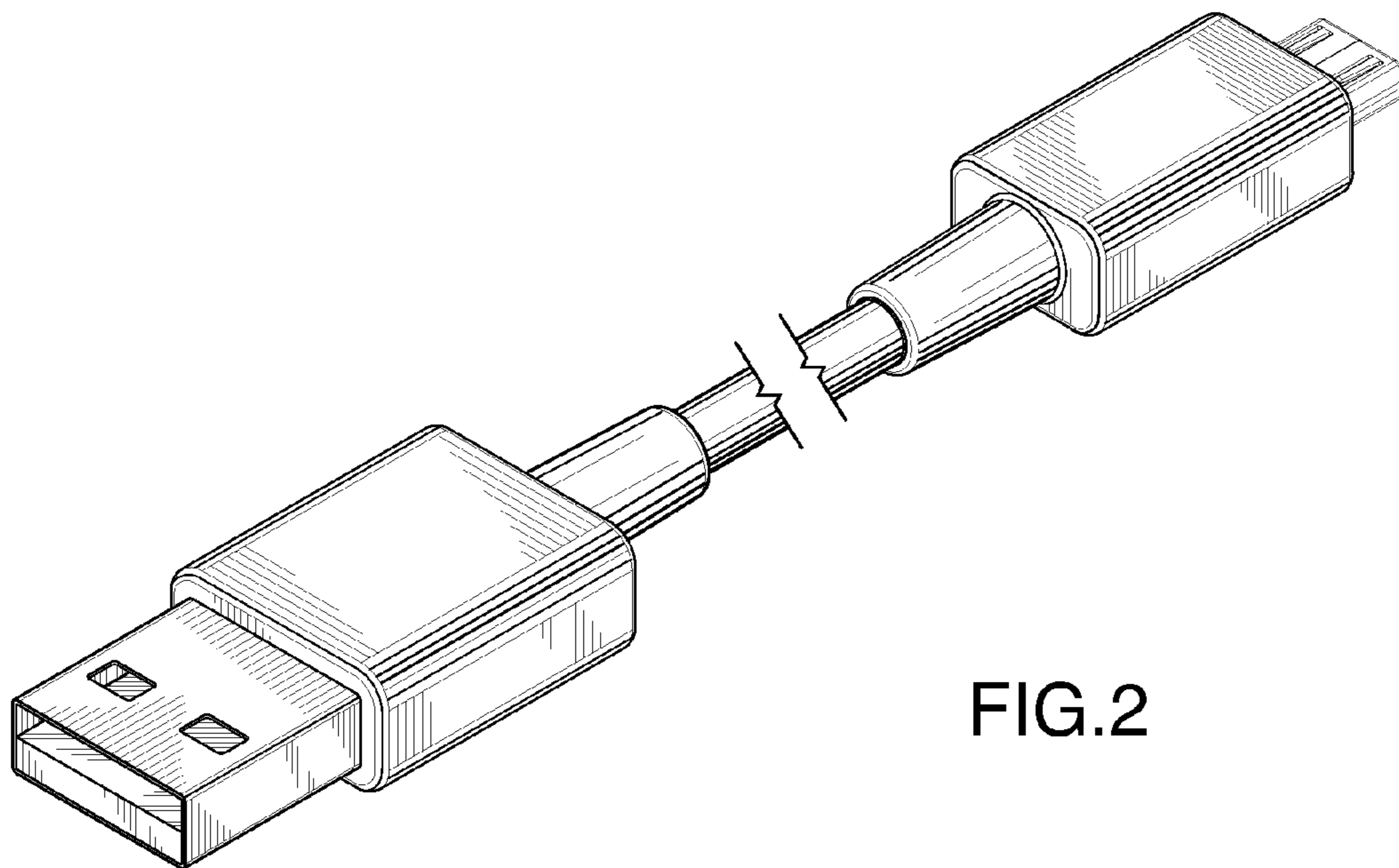


FIG.2

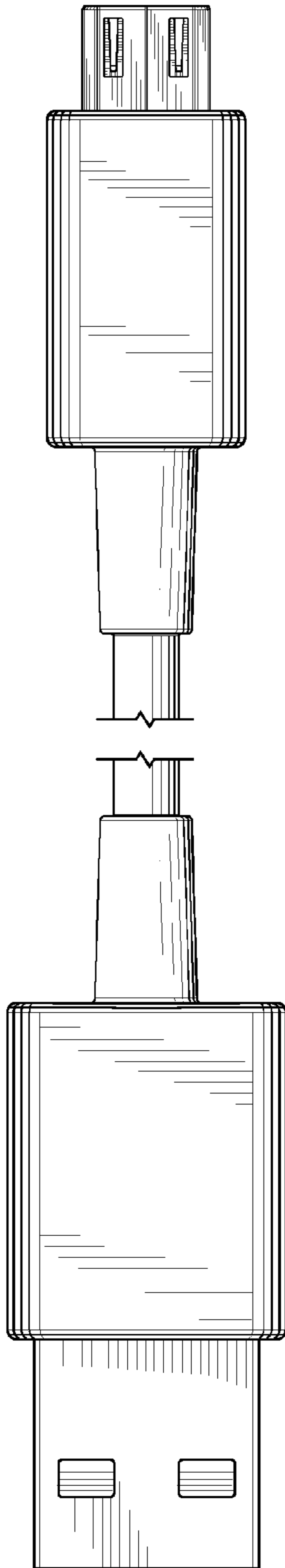


FIG.3

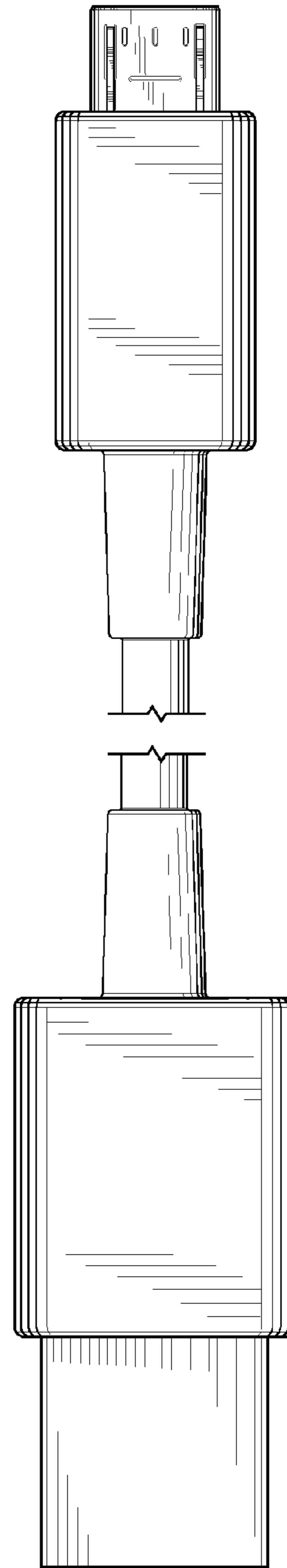


FIG.4

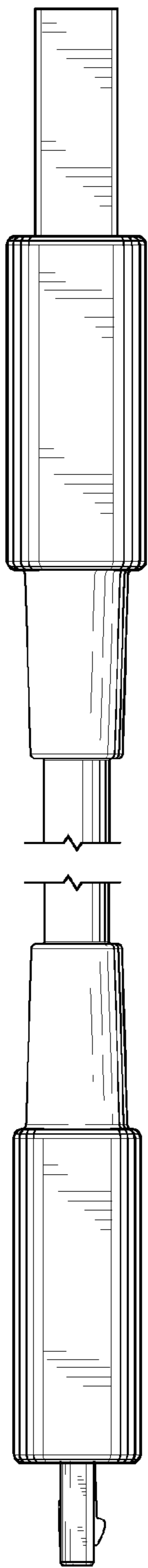


FIG. 5

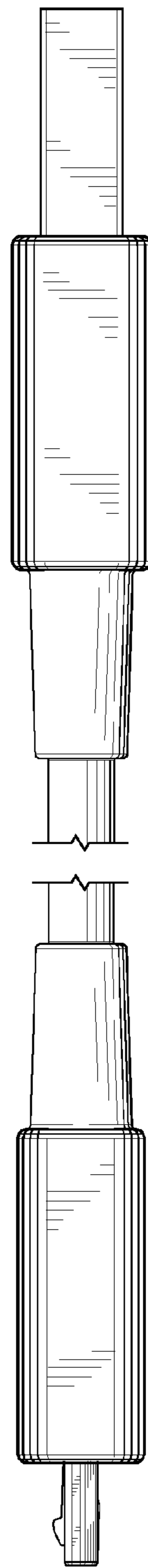


FIG. 6

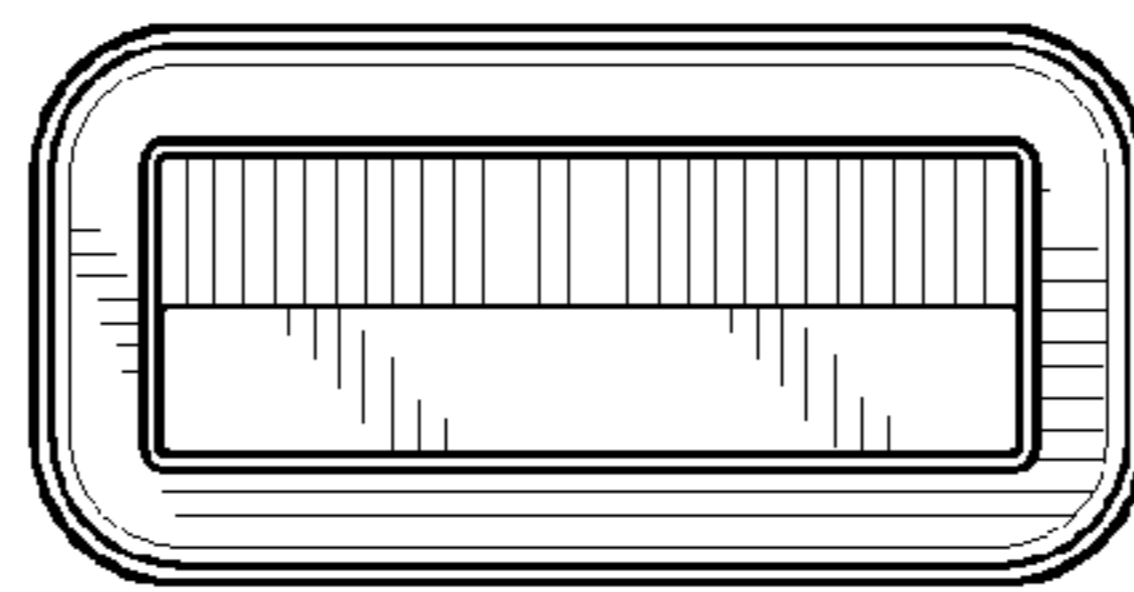


FIG. 7

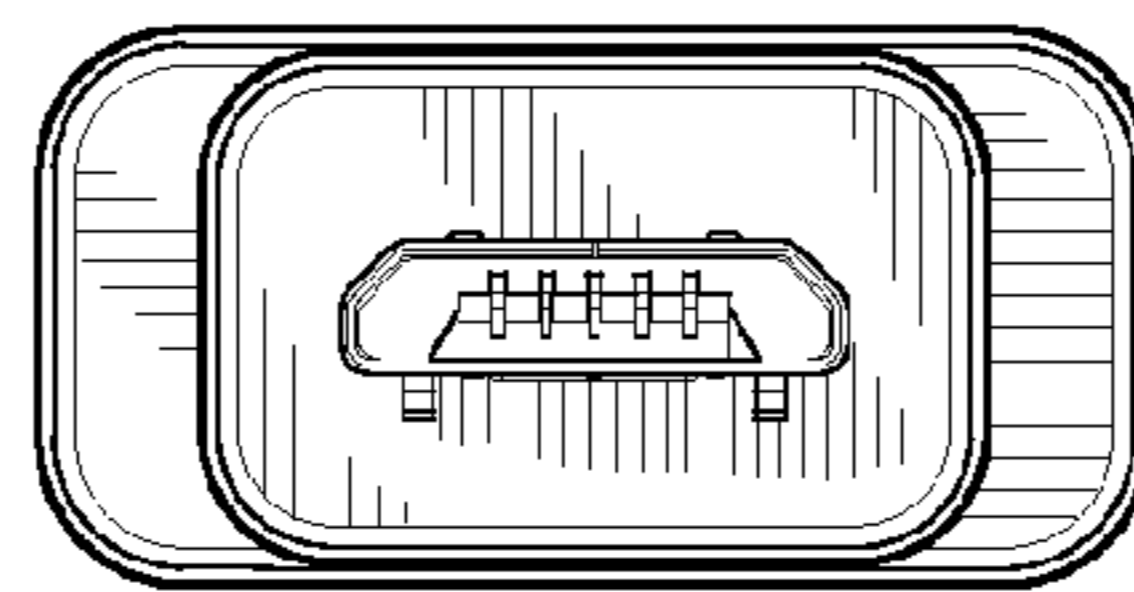


FIG. 8