



US00D636336S

(12) **United States Design Patent**
Clark

(10) **Patent No.:** **US D636,336 S**

(45) **Date of Patent:** **** Apr. 19, 2011**

(54) **ELECTRICAL PLUG ADAPTOR**

(76) Inventor: **Silva L. J. Clark**, Porter Ranch, CA
(US)

(**) Term: **14 Years**

(21) Appl. No.: **29/358,776**

(22) Filed: **Mar. 31, 2010**

(51) **LOC (9) Cl.** **13-03**

(52) **U.S. Cl.** **D13/137.2**

(58) **Field of Classification Search** ... D13/137.1-137.4,
D13/138.1, 138.2, 139.1-139.8, 107-108,
D13/110, 133, 146, 147, 54, 184, 199; D14/433;
174/53-58, 66; 439/105-107, 535, 650-655,
439/638, 692, 502, 505; 337/189, 198
See application file for complete search history.

(56) **References Cited**

U.S. PATENT DOCUMENTS

3,382,355	A *	5/1968	Prifogle et al.	362/641
4,514,715	A *	4/1985	Chen	337/113
4,583,798	A	4/1986	Blazowich	
D292,700	S *	11/1987	Rauch	D13/137.1
5,007,857	A *	4/1991	Wright	439/490
D376,129	S *	12/1996	Muller et al.	D13/137.1
D384,328	S *	9/1997	Muller et al.	D13/137.2
5,727,953	A	3/1998	Pasholk	
D462,056	S *	8/2002	Chung	D13/137.1

6,750,410	B2	6/2004	Lee	
6,821,134	B2	11/2004	Chen	
6,884,125	B2 *	4/2005	Chen	439/848
7,214,102	B2	5/2007	Chong	
D576,552	S *	9/2008	Caine et al.	D13/137.2
7,435,091	B1	10/2008	Cruz	
D596,571	S *	7/2009	Green	D13/137.2
D610,092	S *	2/2010	Jimenez et al.	D13/137.2
D616,823	S *	6/2010	Shi	D13/137.2
D622,217	S *	8/2010	Green	D13/137.2

* cited by examiner

Primary Examiner — Rosemary K Tarcza

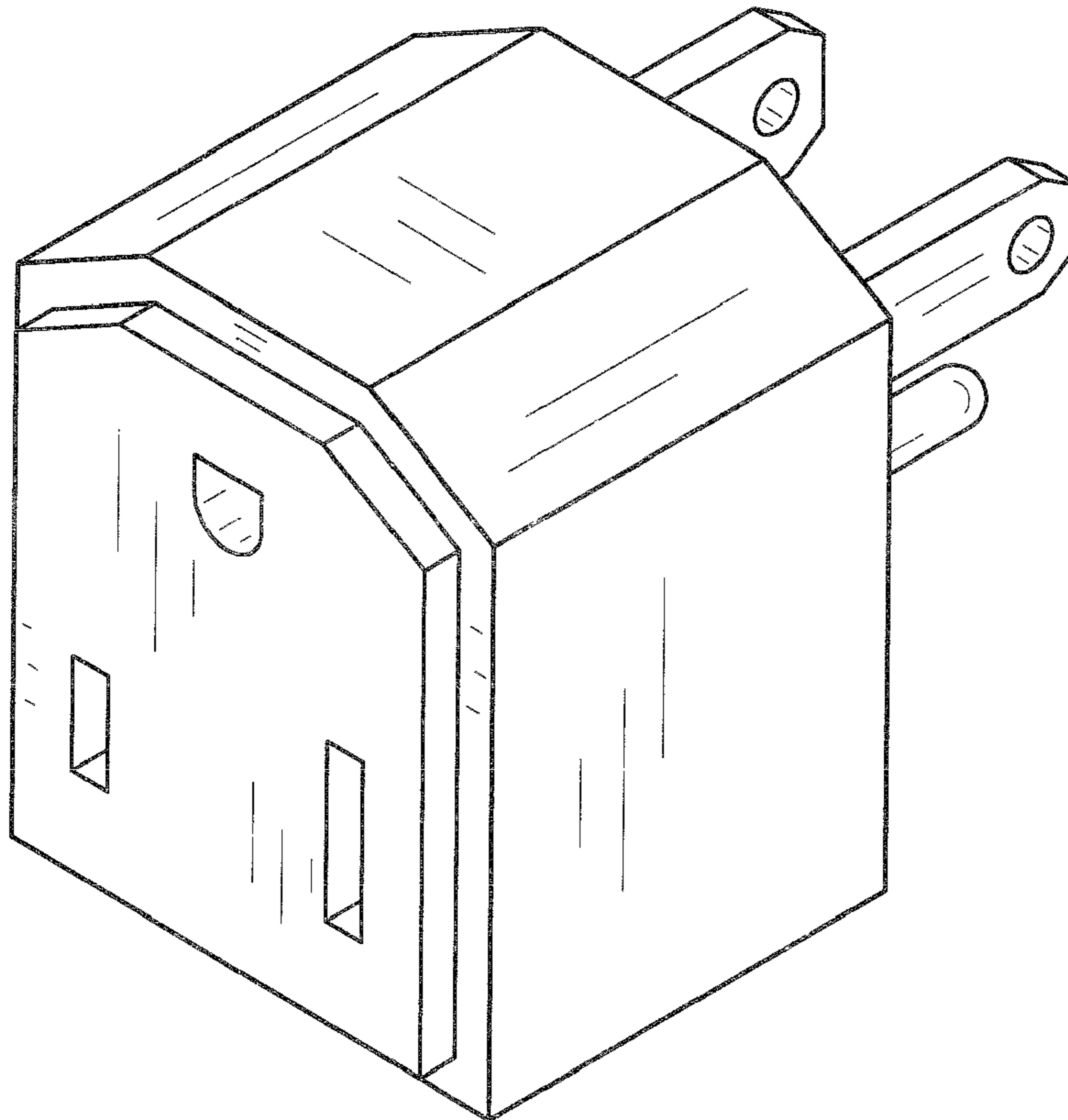
(57) **CLAIM**

The ornamental design for a electrical plug adaptor, as shown and described.

DESCRIPTION

FIG. 1 is a perspective view of a electrical plug adaptor showing my new design;
FIG. 2 is a front view thereof;
FIG. 3 is a back view thereof;
FIG. 4 is a side view thereof;
FIG. 5 is an opposite side view thereof;
FIG. 6 is a top view thereof; and,
FIG. 7 is a bottom view thereof.

1 Claim, 3 Drawing Sheets



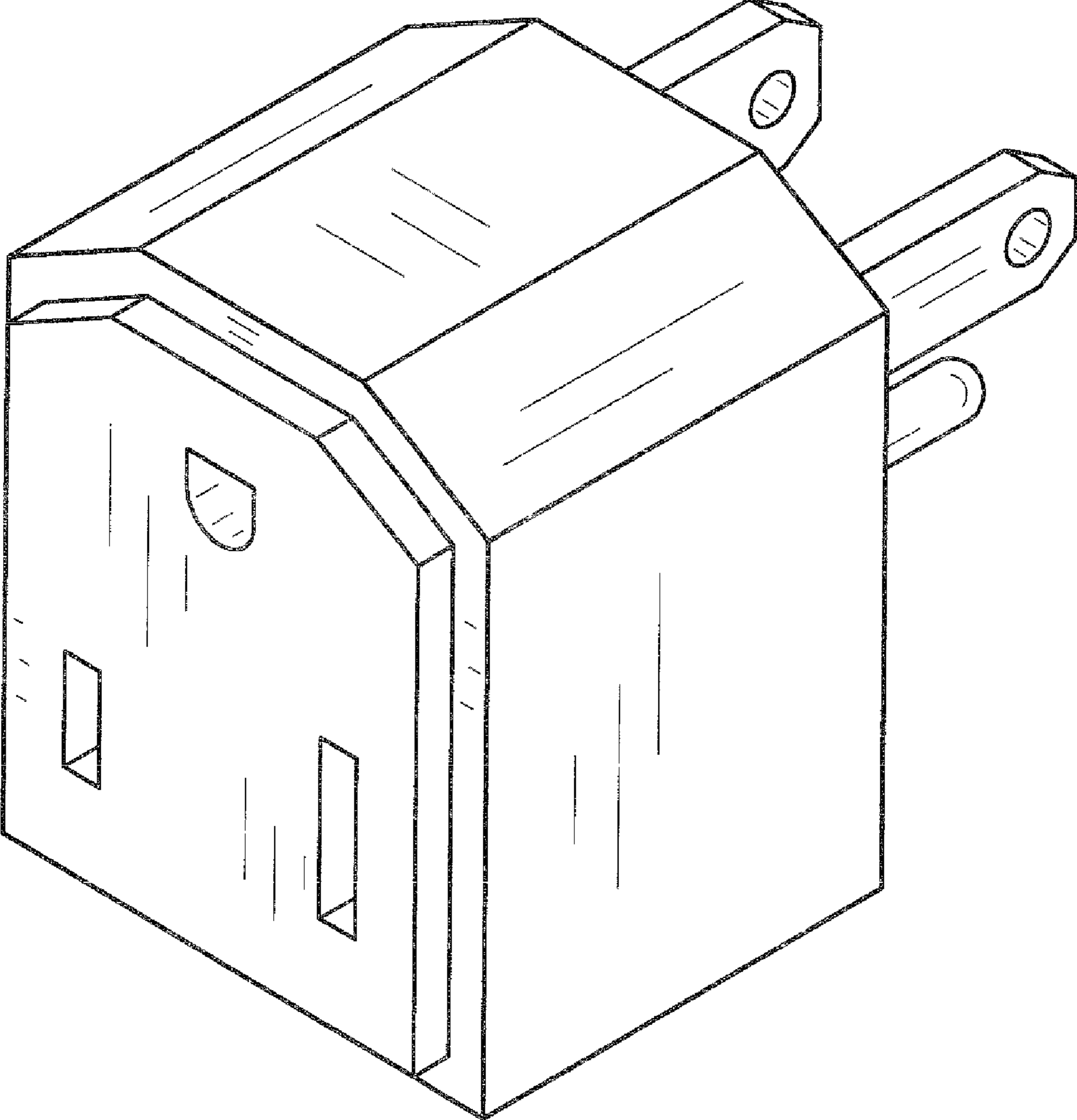


FIG. 1

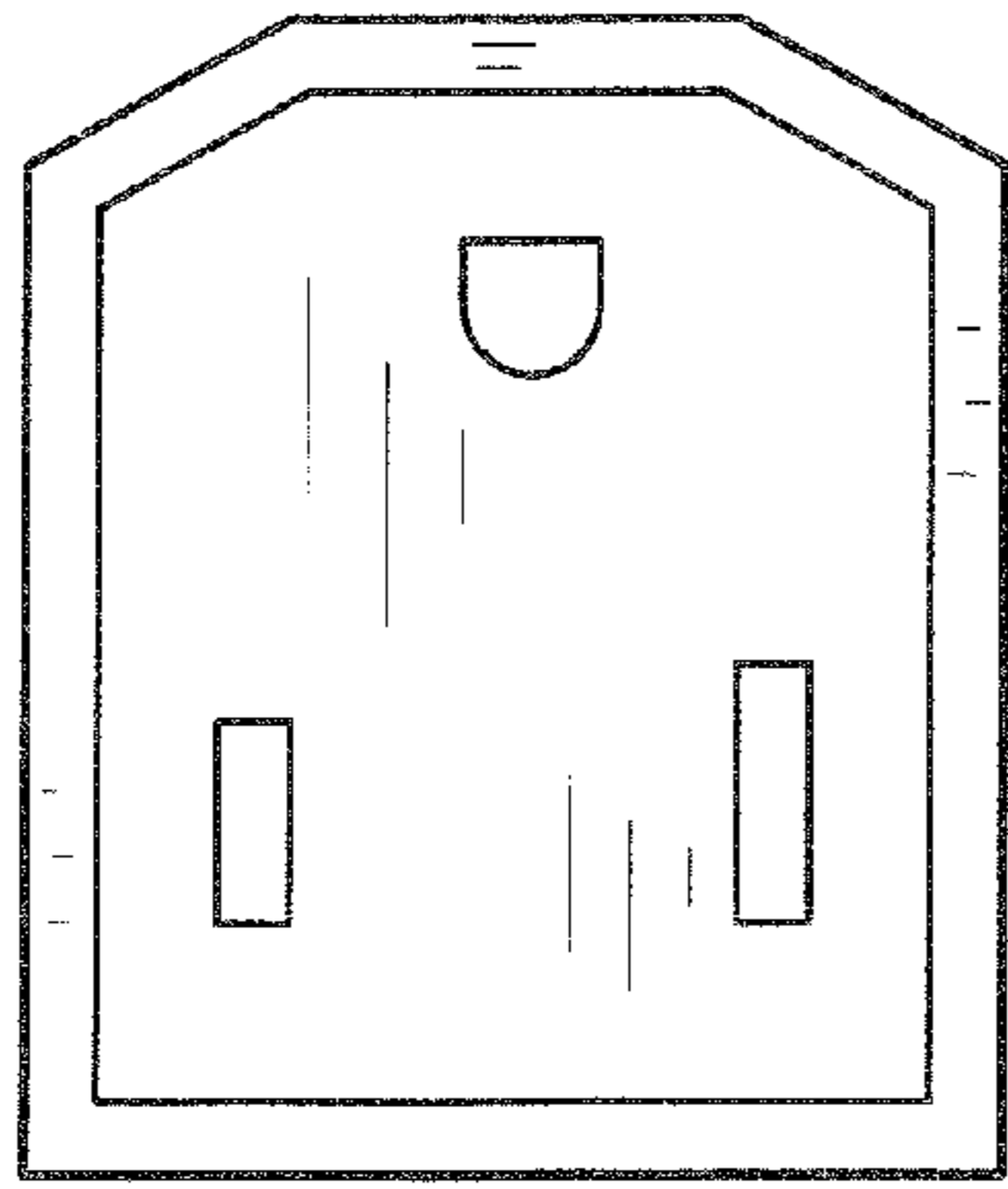


FIG. 2

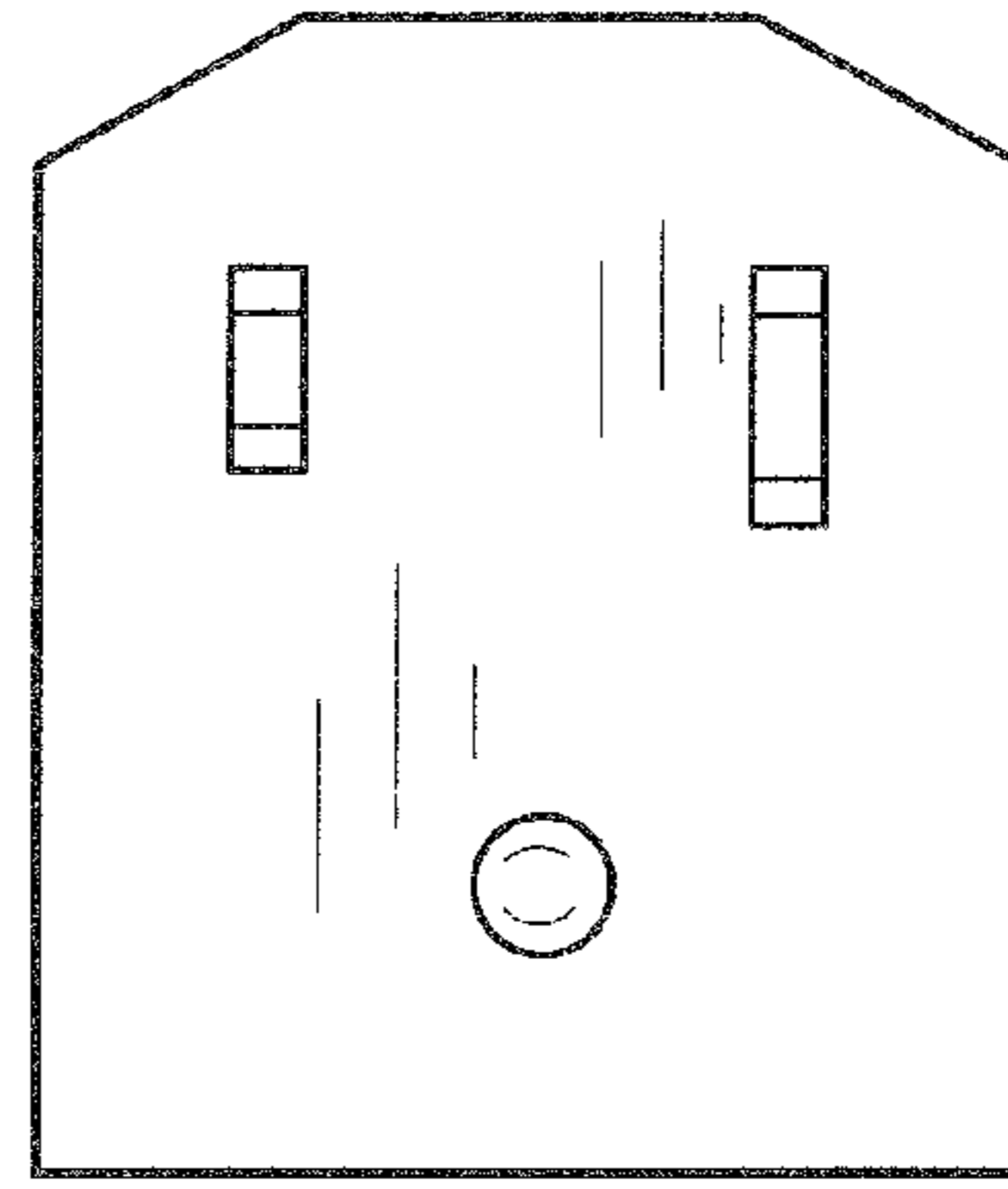


FIG. 3

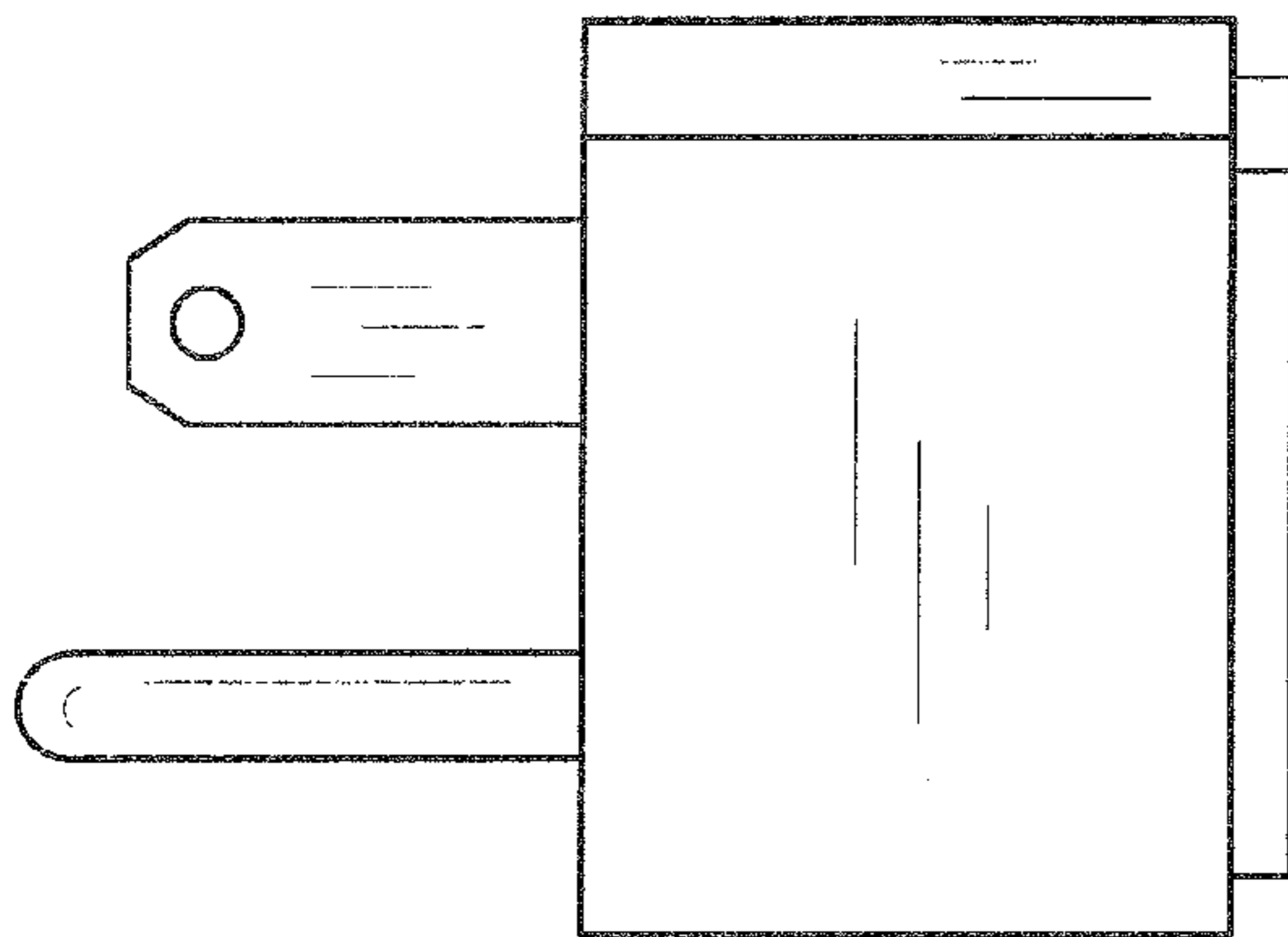


FIG. 4

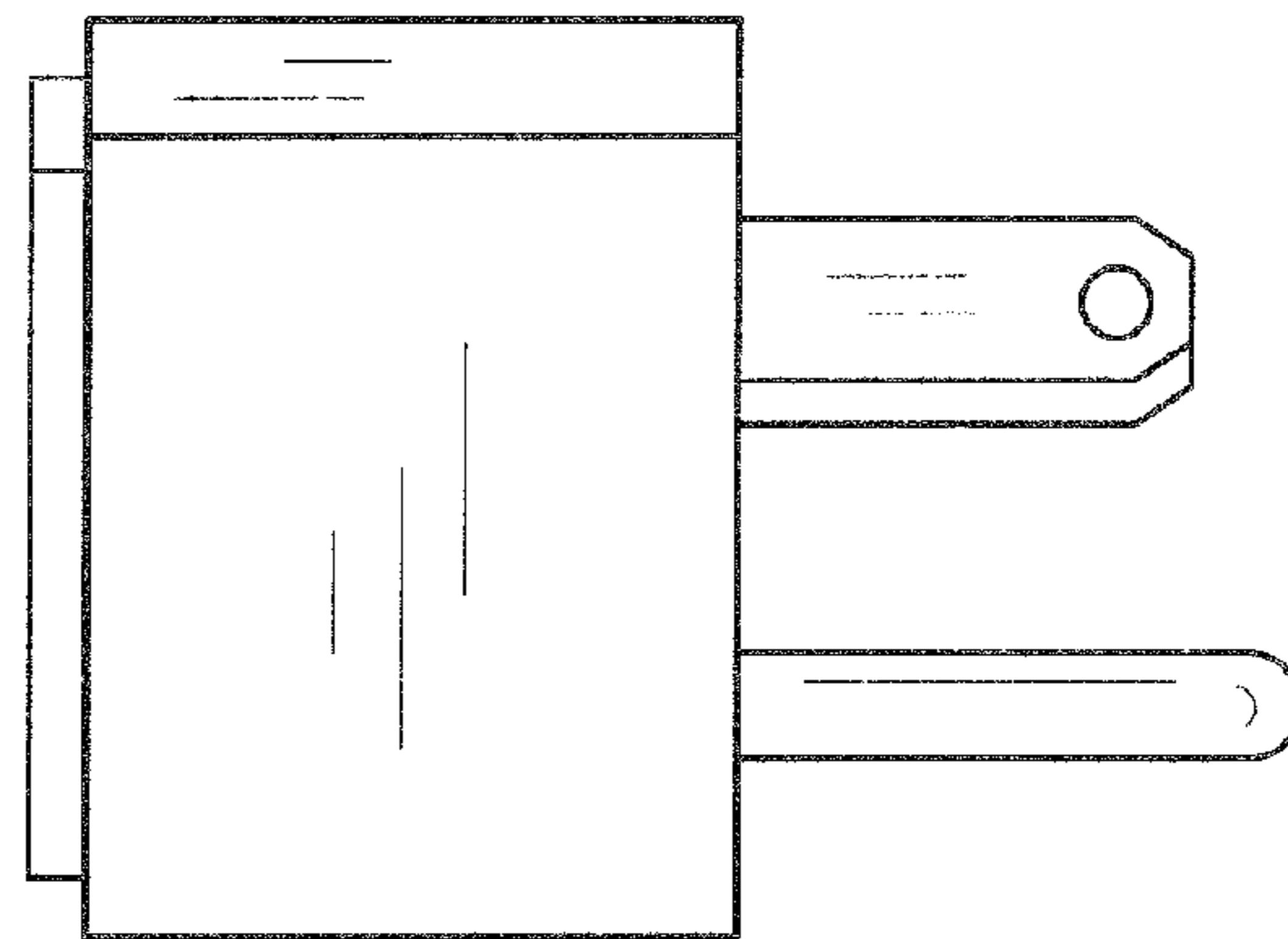


FIG. 5

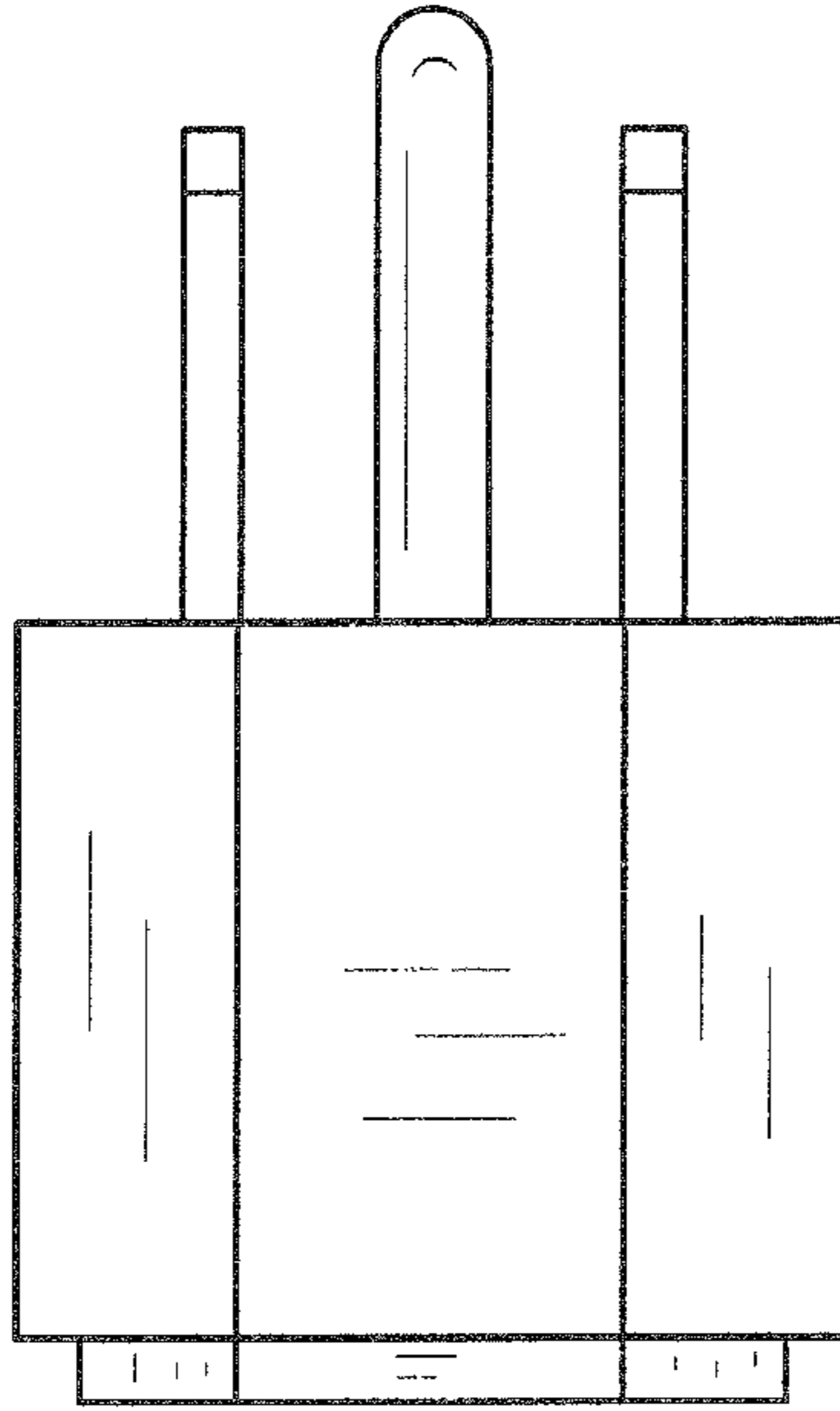


FIG. 6

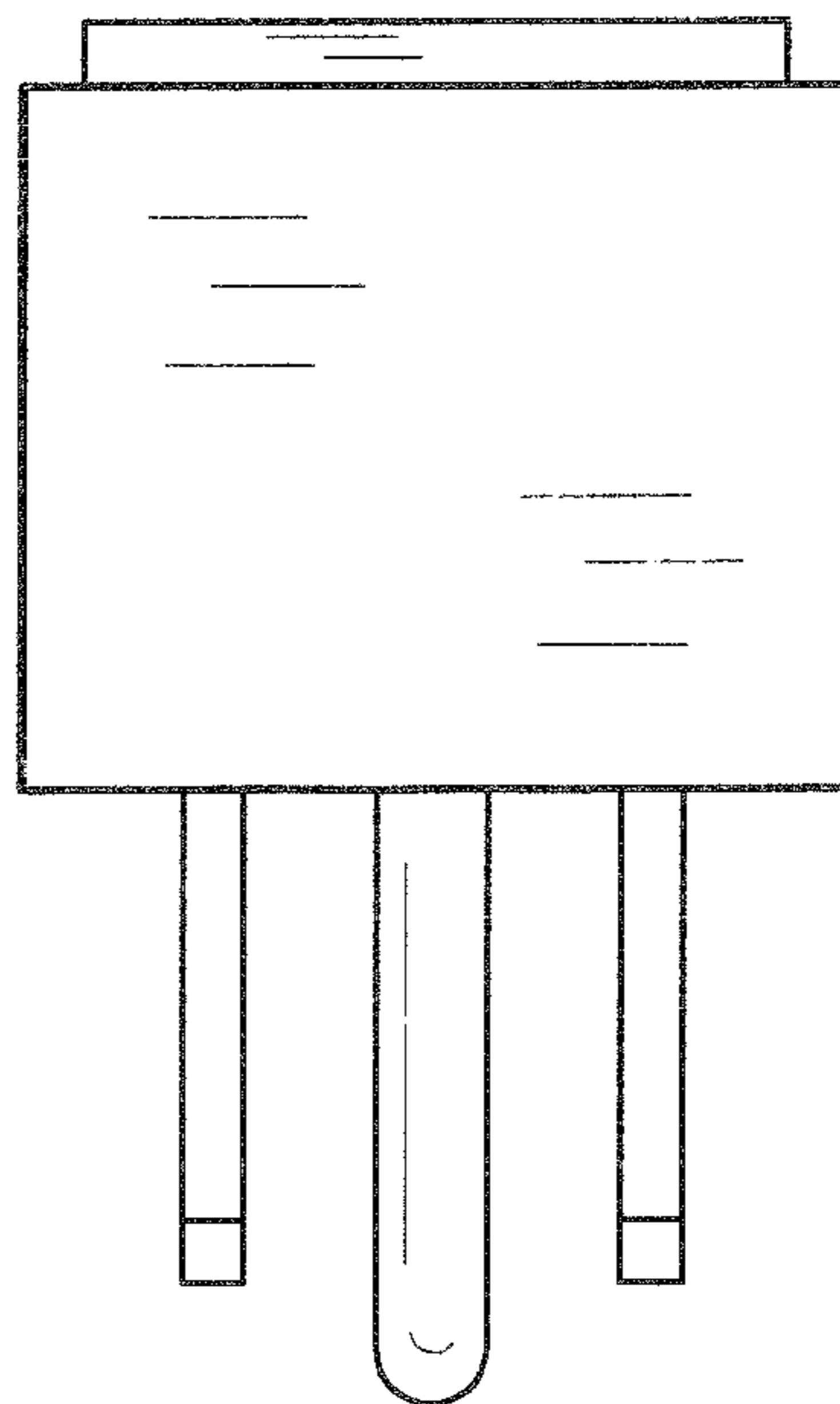


FIG. 7