



US00D636335S

(12) **United States Design Patent**
Clark

(10) **Patent No.:** **US D636,335 S**

(45) **Date of Patent:** **** Apr. 19, 2011**

(54) **ELECTRICAL MULTI-PLUG ADAPTOR**

(76) **Inventor:** **Silva L. J. Clark**, Porter Ranch, CA
(US)

(**) **Term:** **14 Years**

(21) **Appl. No.:** **29/358,775**

(22) **Filed:** **Mar. 31, 2010**

(51) **LOC (9) Cl.** **13-03**

(52) **U.S. Cl.** **D13/137.2**

(58) **Field of Classification Search** ... D13/137.1-139.8,
D13/133, 184, 199; D14/433; 174/53-58,
174/66; 439/105-107, 535, 650-655, 692
See application file for complete search history.

(56) **References Cited**

U.S. PATENT DOCUMENTS

2,636,096	A *	4/1953	Di Blasi	337/189
D187,269	S *	2/1960	Carlson	D13/137.1
D195,955	S *	8/1963	Carlson	D13/137.1
4,583,798	A	4/1986	Blazowich		
D350,938	S *	9/1994	Rossman et al.	D13/137.2
5,727,953	A	3/1998	Pashold		
D401,219	S *	11/1998	Stekelenburg	D13/137.2
D440,203	S *	4/2001	Ewing et al.	D13/137.2
D442,550	S *	5/2001	Tong et al.	D13/137.2

D462,056	S	8/2002	Chung		
D468,848	S *	1/2003	Schenck	D26/26
D469,062	S *	1/2003	Nieto et al.	D13/137.2
6,750,410	B2	6/2004	Lee		
D495,657	S *	9/2004	Lee	D13/137.2
6,821,134	B2	11/2004	Chen		
D514,067	S *	1/2006	Lee	D13/137.2
7,214,102	B2	5/2007	Chong		
7,435,091	B1	10/2008	Cruz		
D618,175	S *	6/2010	Shi	D13/137.2

* cited by examiner

Primary Examiner — Rosemary K Tarcza

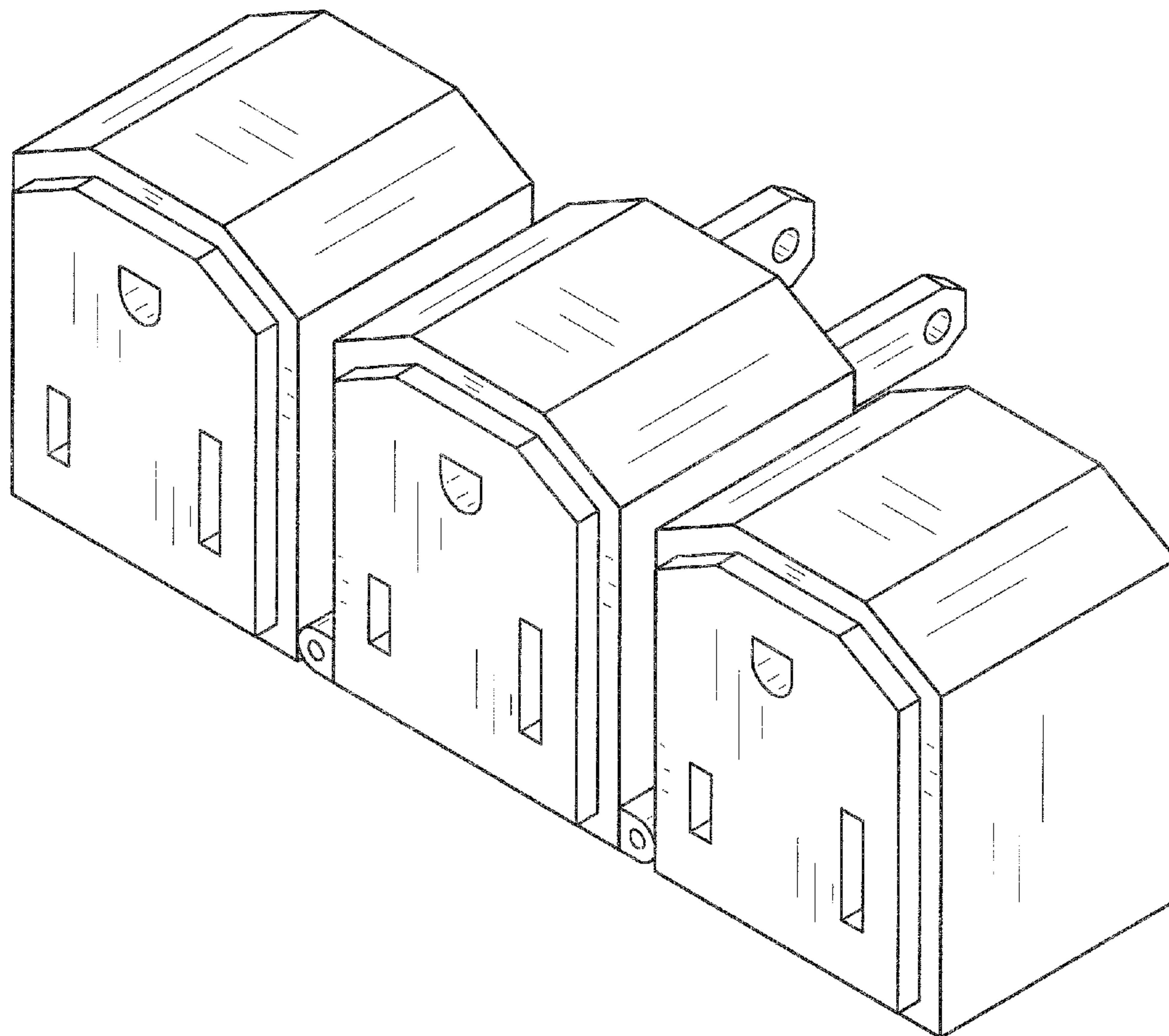
(57) **CLAIM**

The ornamental design for an electrical multi-plug adaptor, as shown and described.

DESCRIPTION

FIG. 1 is a perspective view of an electrical multi-plug adaptor showing my new design;
FIG. 2 is a front view thereof;
FIG. 3 is a back view thereof;
FIG. 4 is a side view thereof;
FIG. 5 is an opposite side view thereof;
FIG. 6 is a top view thereof; and,
FIG. 7 is a bottom view thereof.

1 Claim, 4 Drawing Sheets



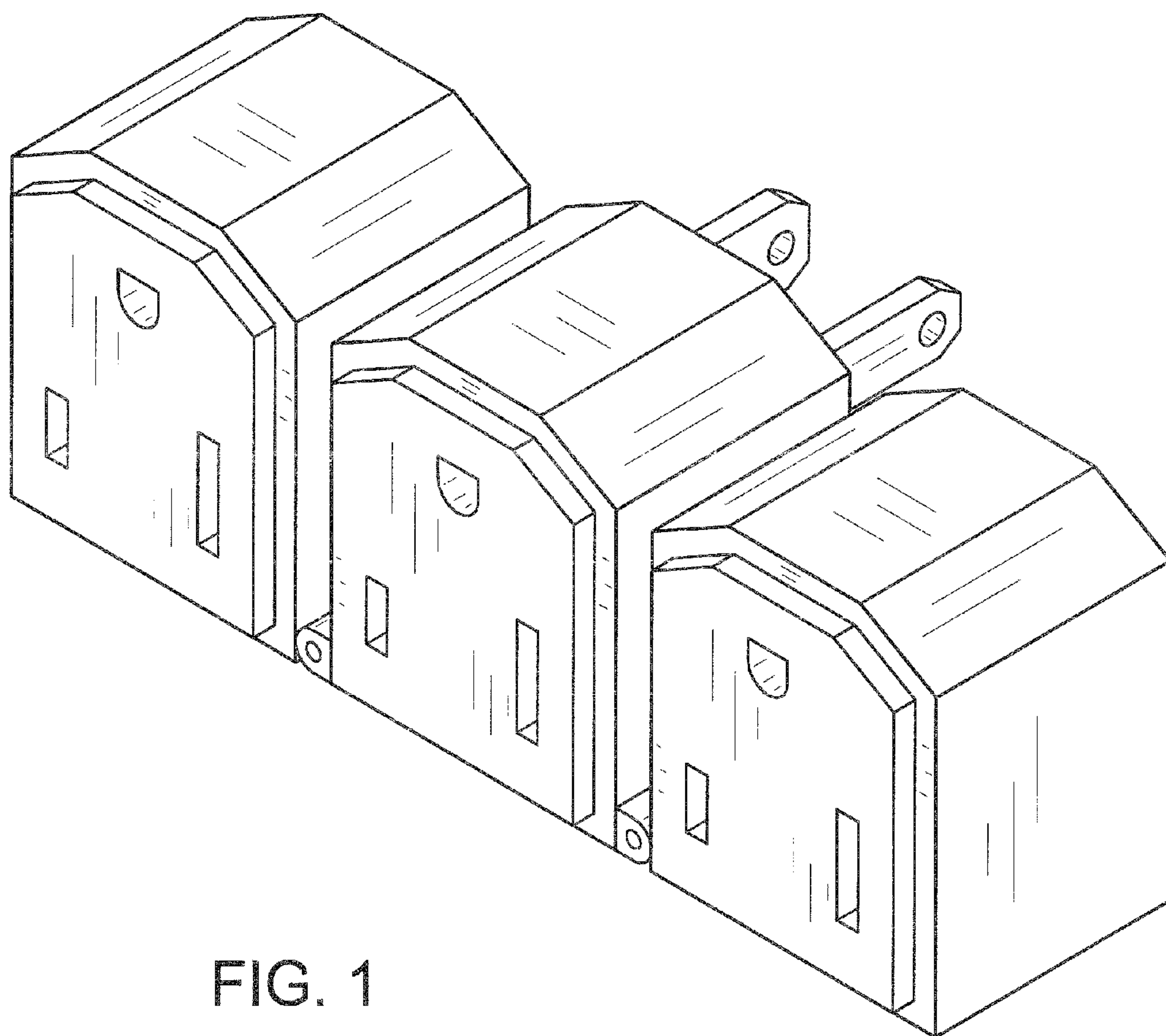


FIG. 1

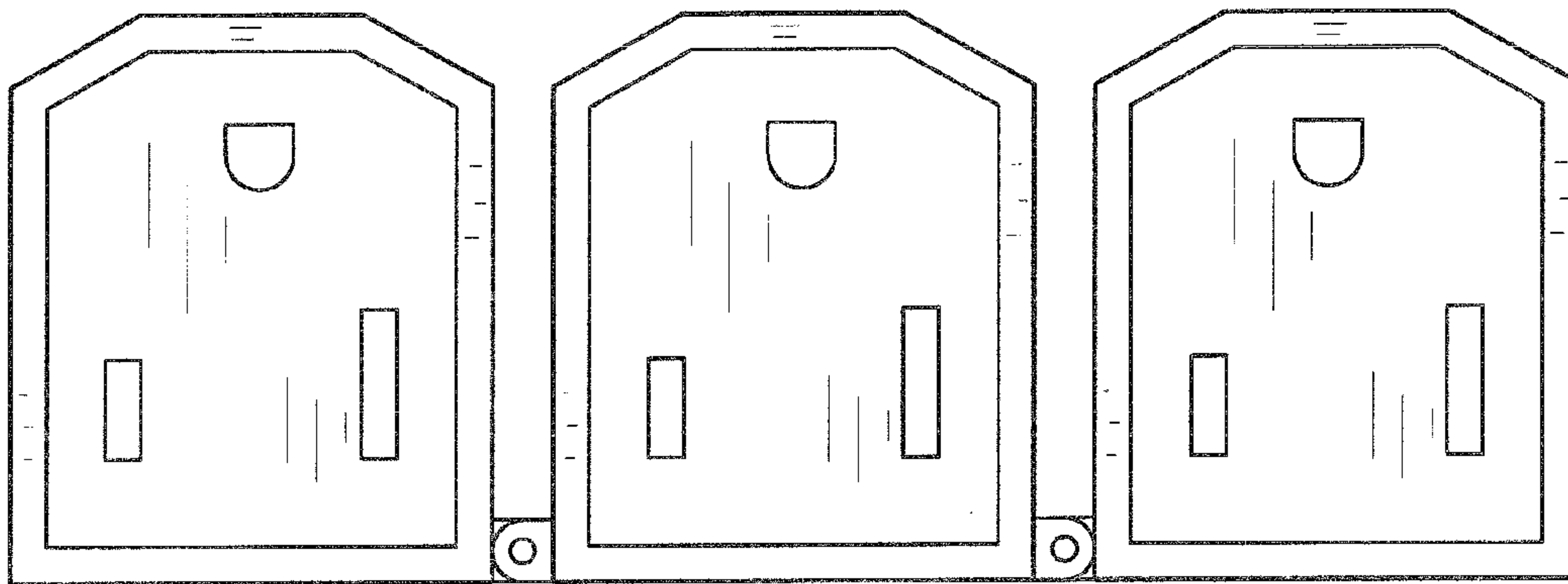


FIG. 2

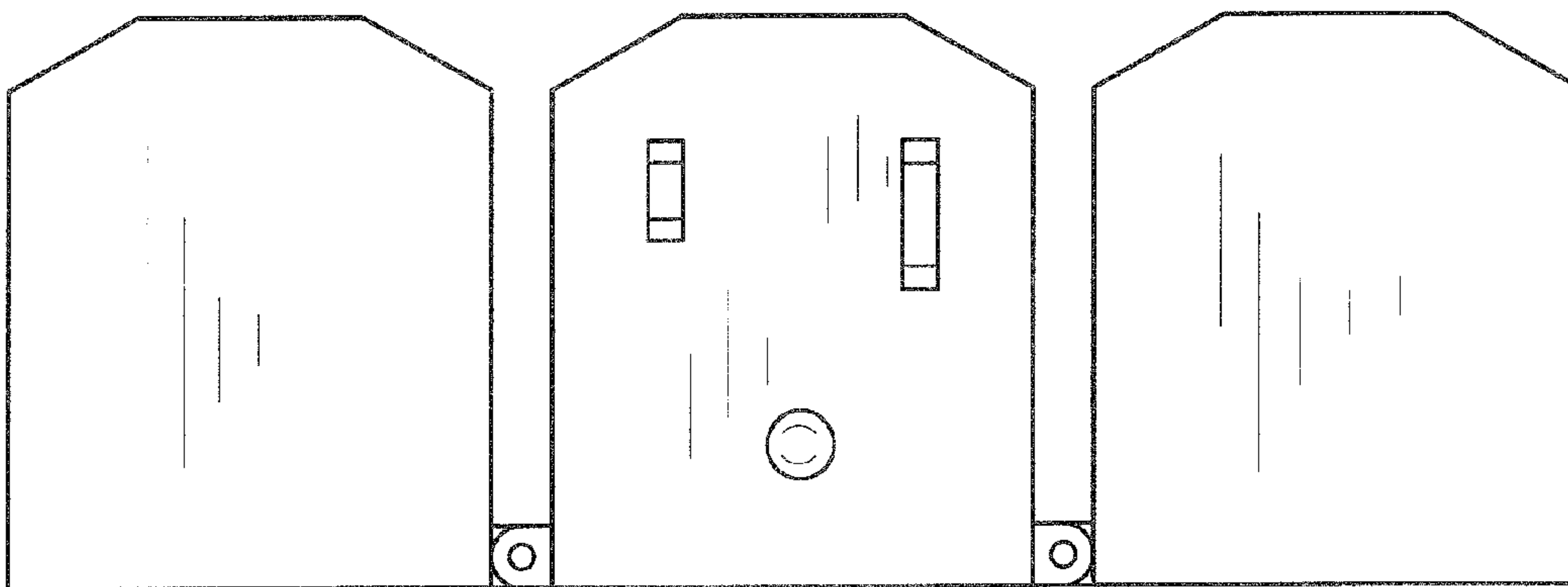


FIG. 3

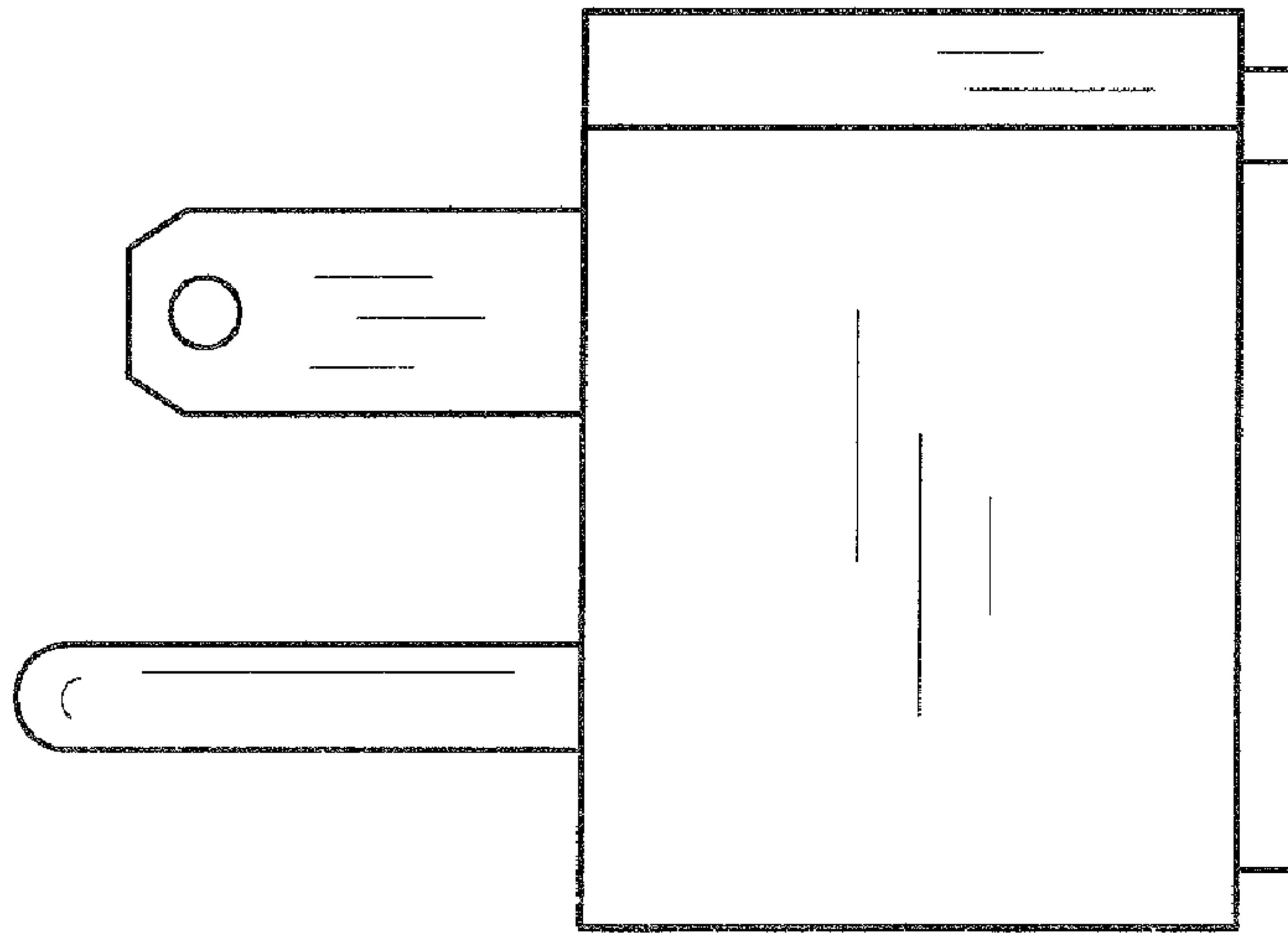


FIG. 4

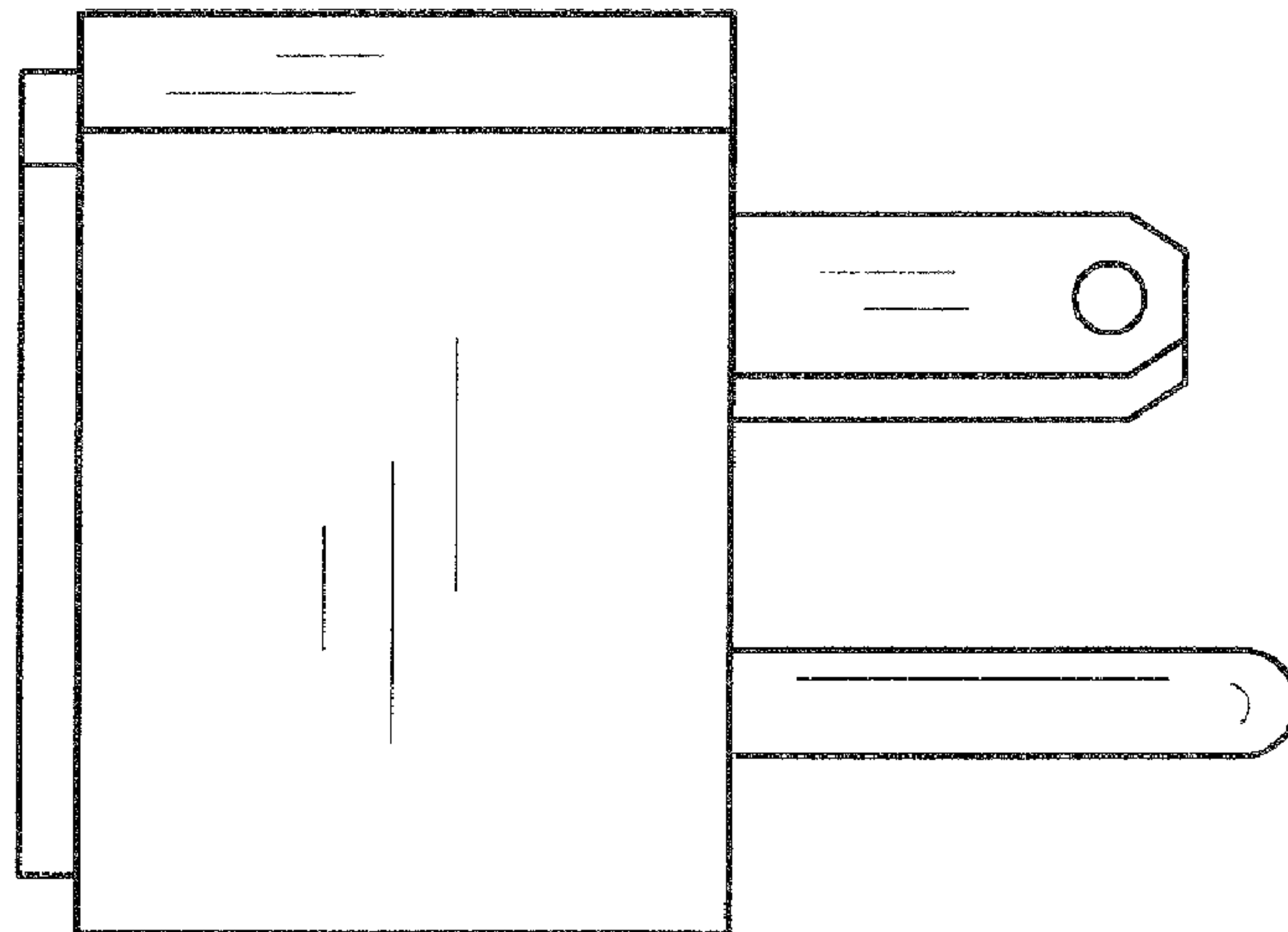


FIG. 5

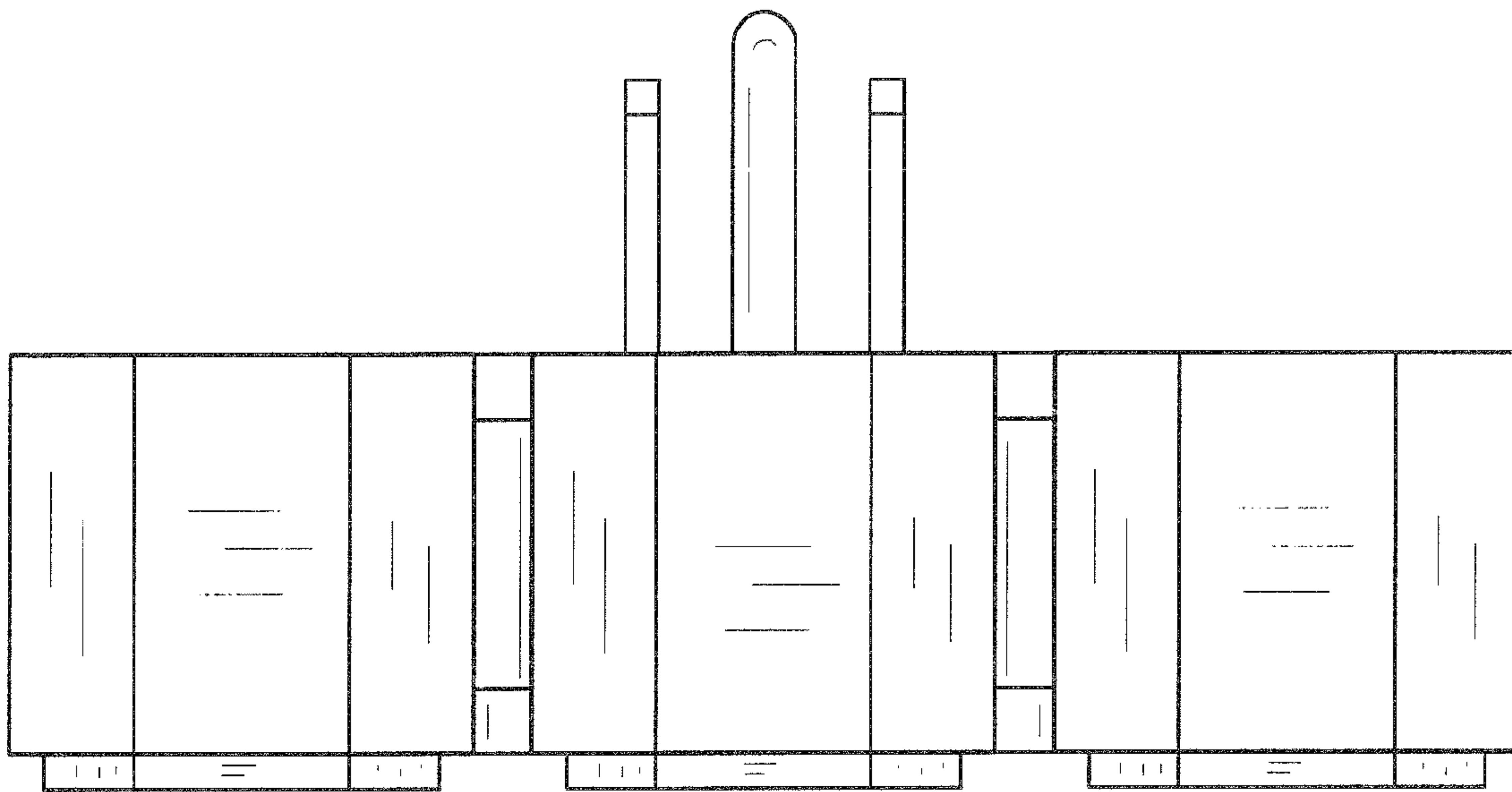


FIG. 6

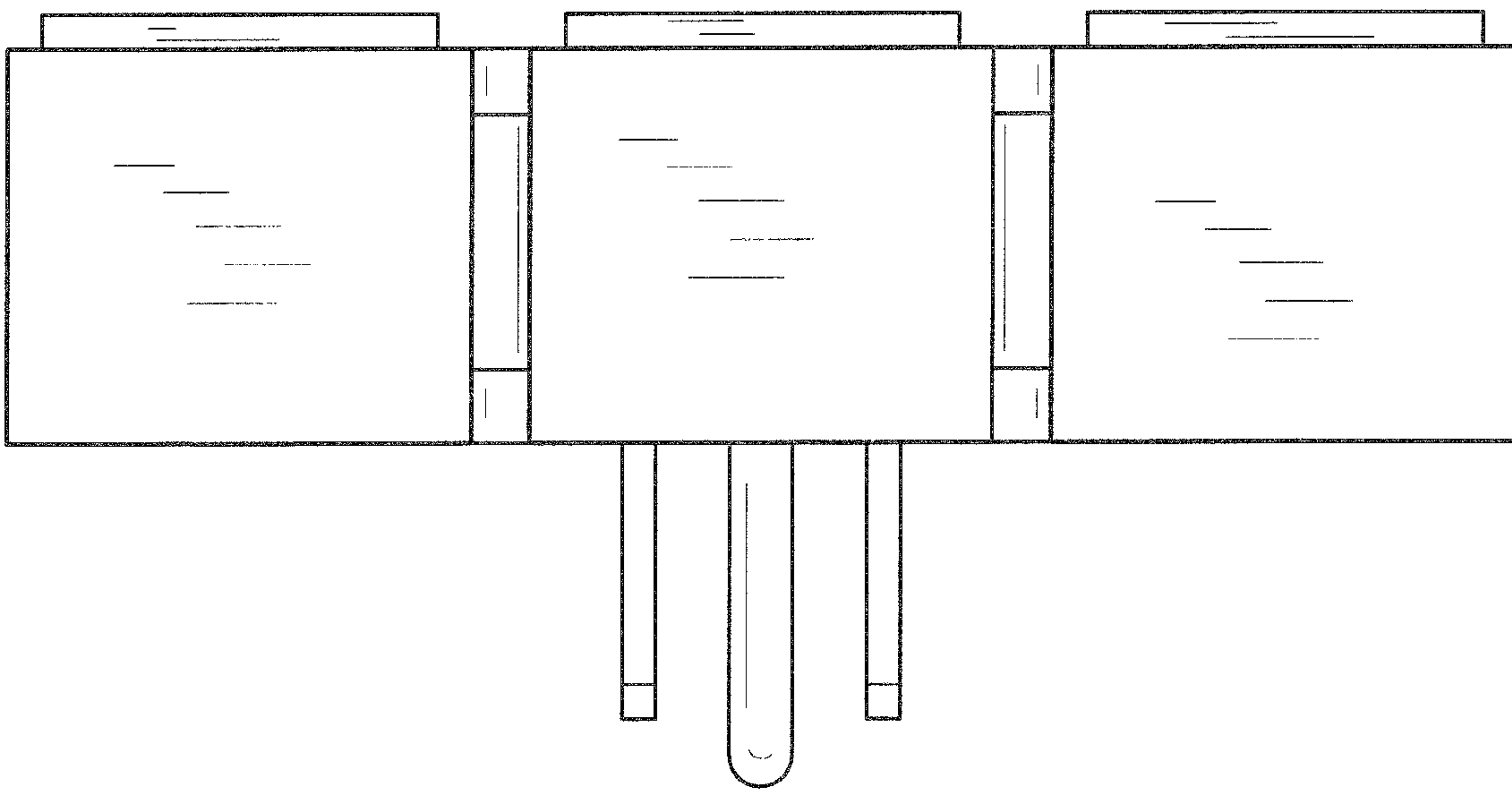


FIG. 7