

US00D636333S

(12) **United States Design Patent**  
**Kulikowski**

(10) **Patent No.:** **US D636,333 S**

(45) **Date of Patent:** **\*\* Apr. 19, 2011**

(54) **WIRELESS POWER SOURCE**

(75) Inventor: **Konrad J. Kulikowski**, Somerville, MA  
(US)

(73) Assignee: **WiTricity Corporation**, Watertown, MA  
(US)

(\*\*) Term: **14 Years**

(21) Appl. No.: **29/375,504**

(22) Filed: **Sep. 23, 2010**

(51) **LOC (9) Cl.** ..... **13-02**

(52) **U.S. Cl.** ..... **D13/110**

(58) **Field of Classification Search** ..... D13/110,  
D13/101, 107, 108, 123, 184, 199; D9/414,  
D9/424, 430; D14/137, 240, 355, 356, 357,  
D14/358; 307/5, 6, 135, 150, 151; 333/219;  
361/600, 601, 603, 640, 679.01; 363/59,  
363/67, 69, 146

See application file for complete search history.

(56) **References Cited**

**U.S. PATENT DOCUMENTS**

4,331,883 A \* 5/1982 Vitaloni ..... 307/150  
D280,318 S \* 8/1985 Barone ..... D13/110  
D341,567 S \* 11/1993 Acker et al. .... D13/110  
D375,937 S \* 11/1996 Mergenthaler et al. .... D13/110  
D463,363 S \* 9/2002 Veino et al. .... D13/110

D463,411 S \* 9/2002 Stokes et al. .... D14/240  
D492,251 S \* 6/2004 Cameron et al. .... D13/110  
D554,584 S \* 11/2007 Feldman et al. .... D13/110  
D569,341 S \* 5/2008 Aglassinger ..... D13/110  
D595,292 S \* 6/2009 Harden et al. .... D14/356  
2007/0145830 A1\* 6/2007 Lee et al. .... 307/135

\* cited by examiner

*Primary Examiner* — Stella M Reid

*Assistant Examiner* — Derrick Holland

(74) *Attorney, Agent, or Firm* — Strategic Patents, P.C.

(57) **CLAIM**

The ornamental design for a wireless power source, as shown and described.

**DESCRIPTION**

FIG. 1 is a front perspective view of a wireless power source showing my new design;

FIG. 2 is a side perspective view thereof;

FIG. 3 is a top plan view thereof;

FIG. 4 is a bottom plan view thereof;

FIG. 5 is a left side elevation view thereof;

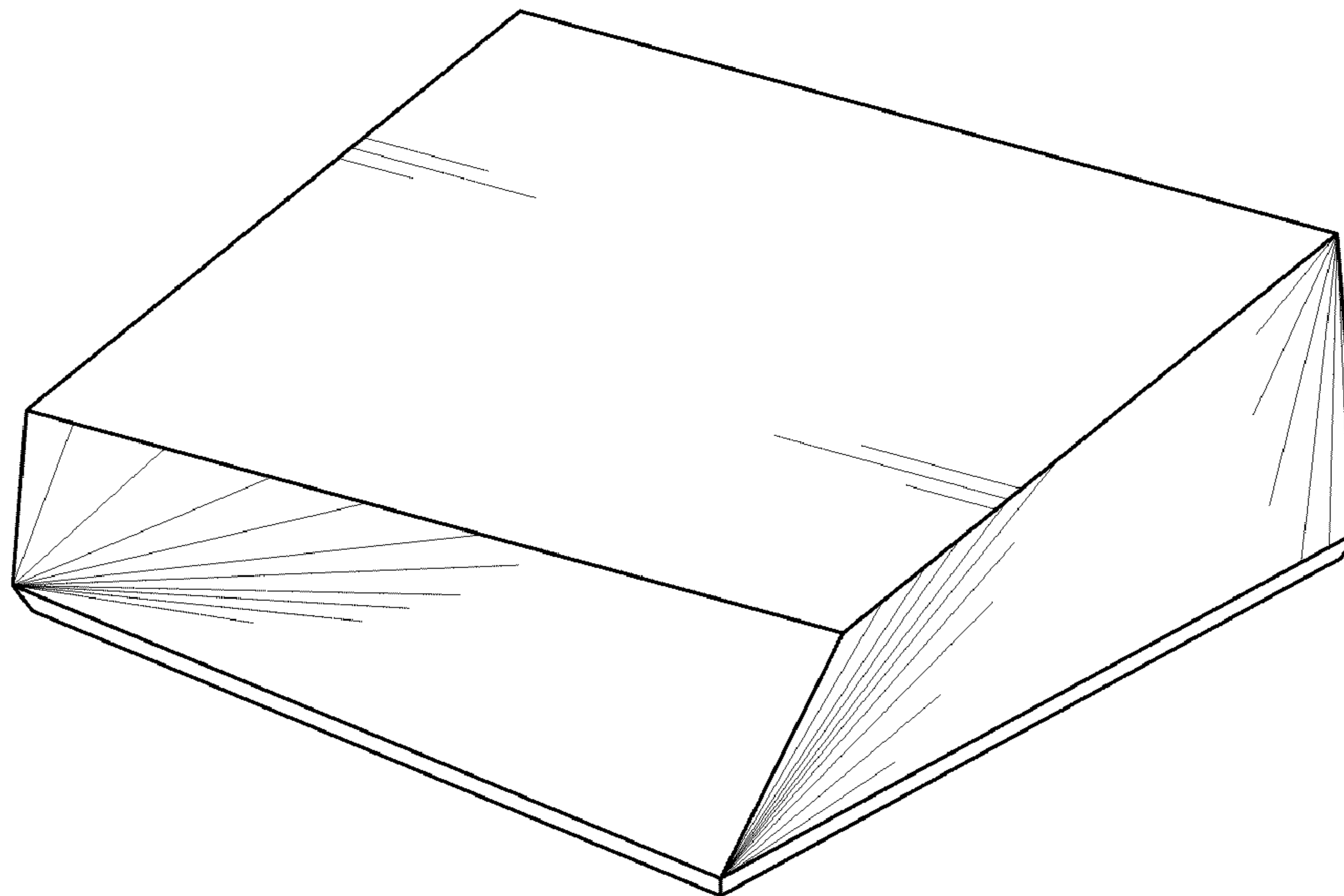
FIG. 6 is a right side elevation view thereof;

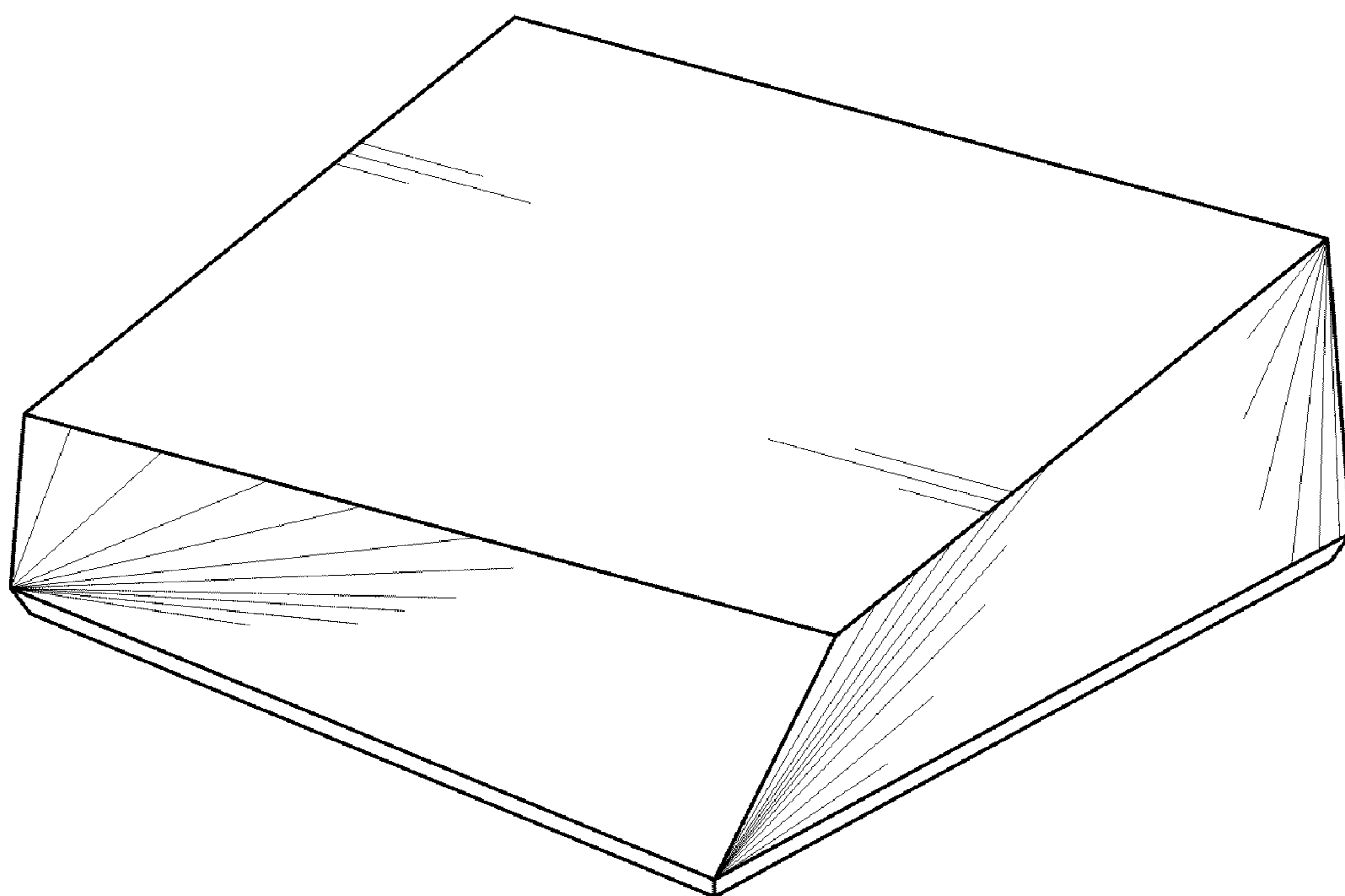
FIG. 7 is a front elevation view thereof; and,

FIG. 8 is a back elevation view thereof.

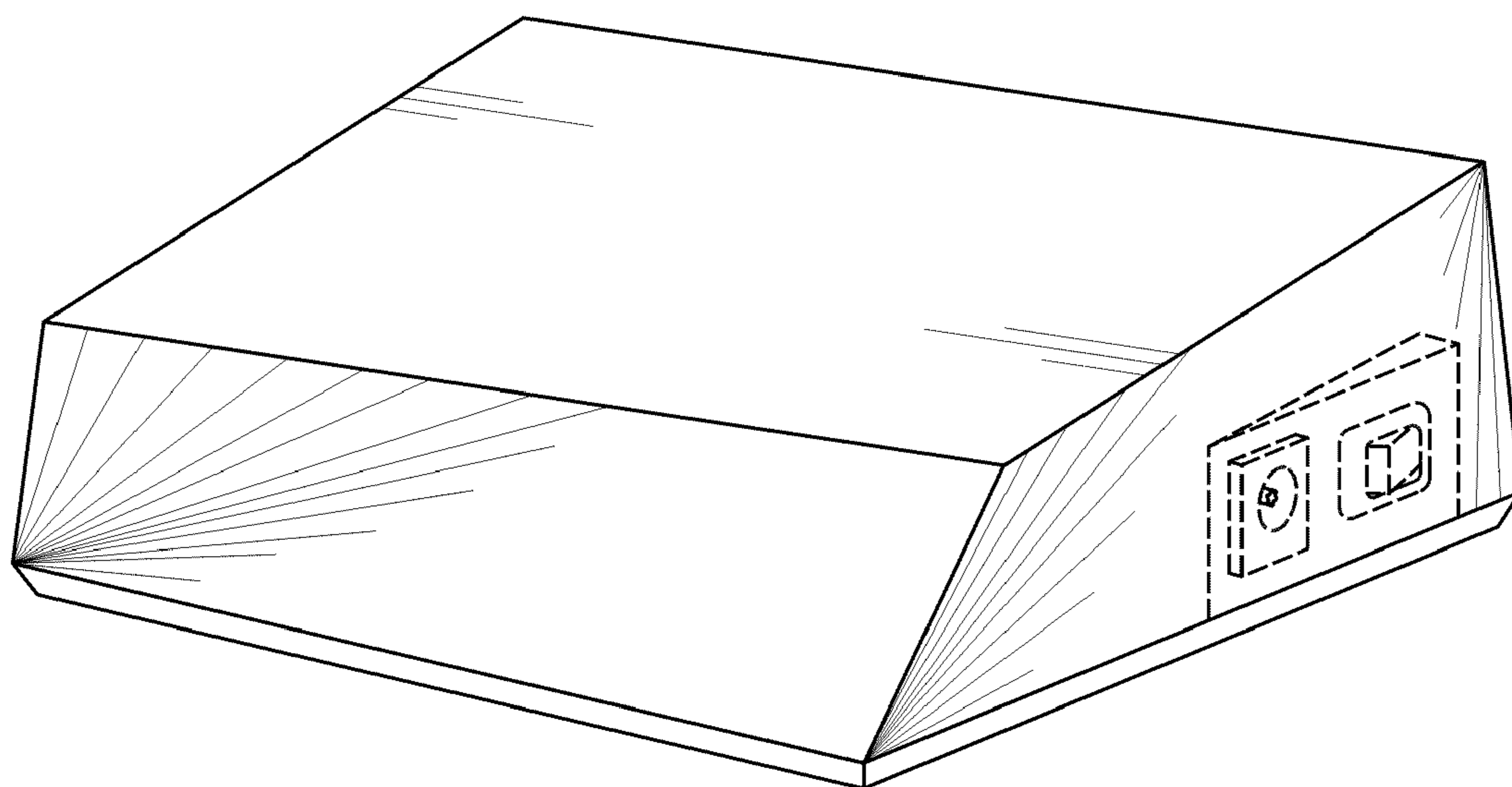
Broken lines showing portions of the wireless power source are for illustrative purposes only and form no part of the claimed design.

**1 Claim, 6 Drawing Sheets**

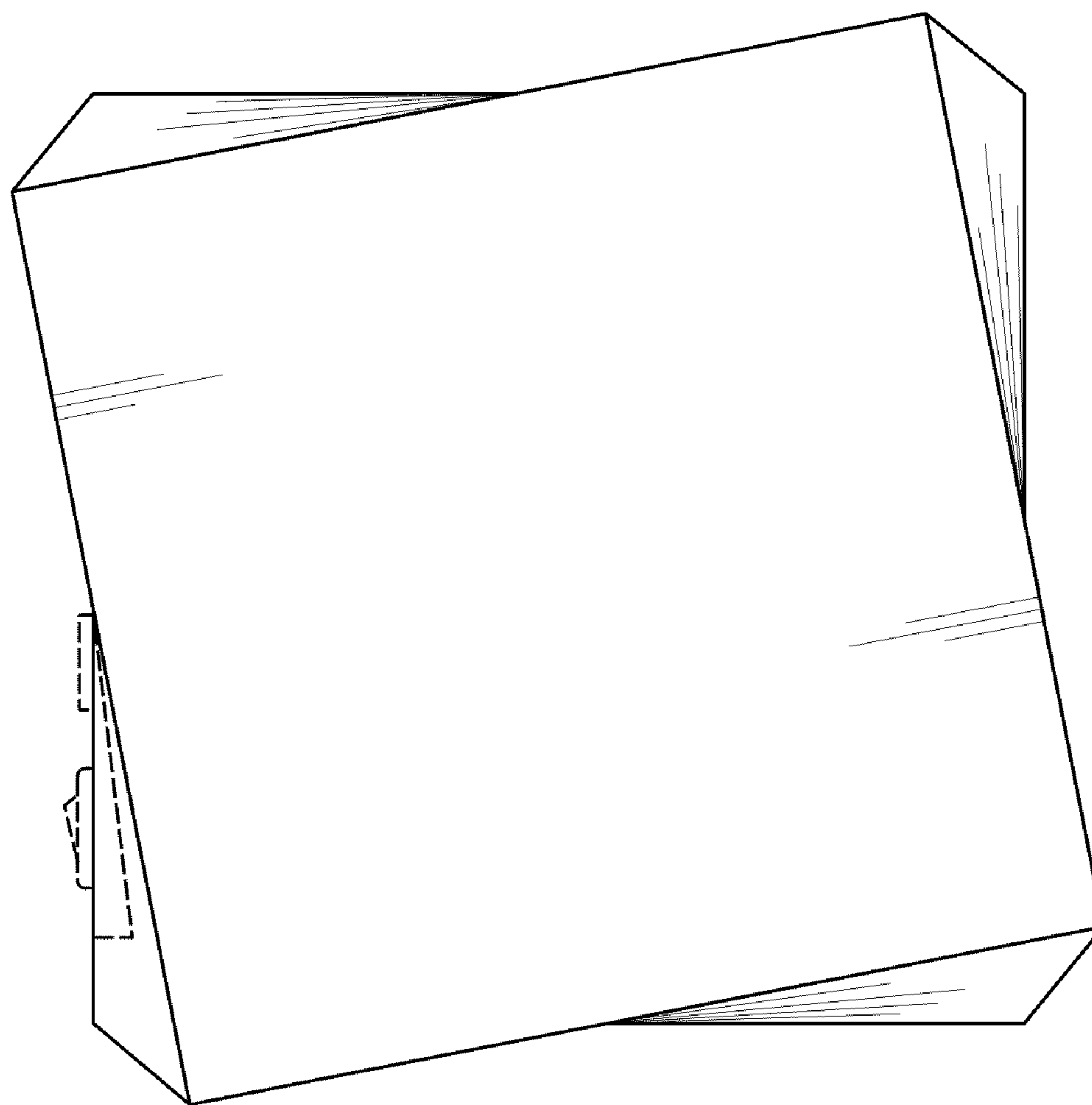




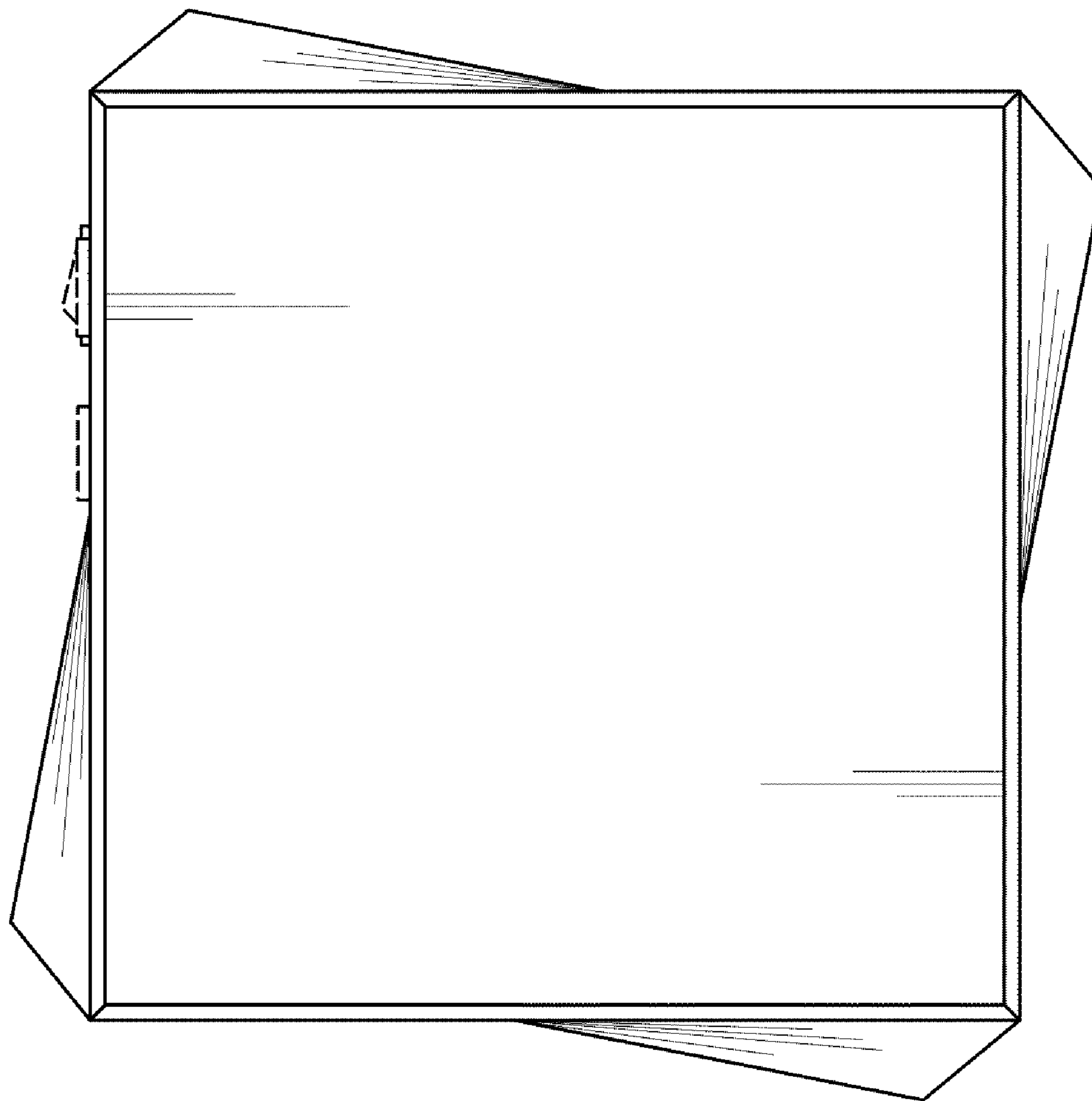
*FIG. 1*



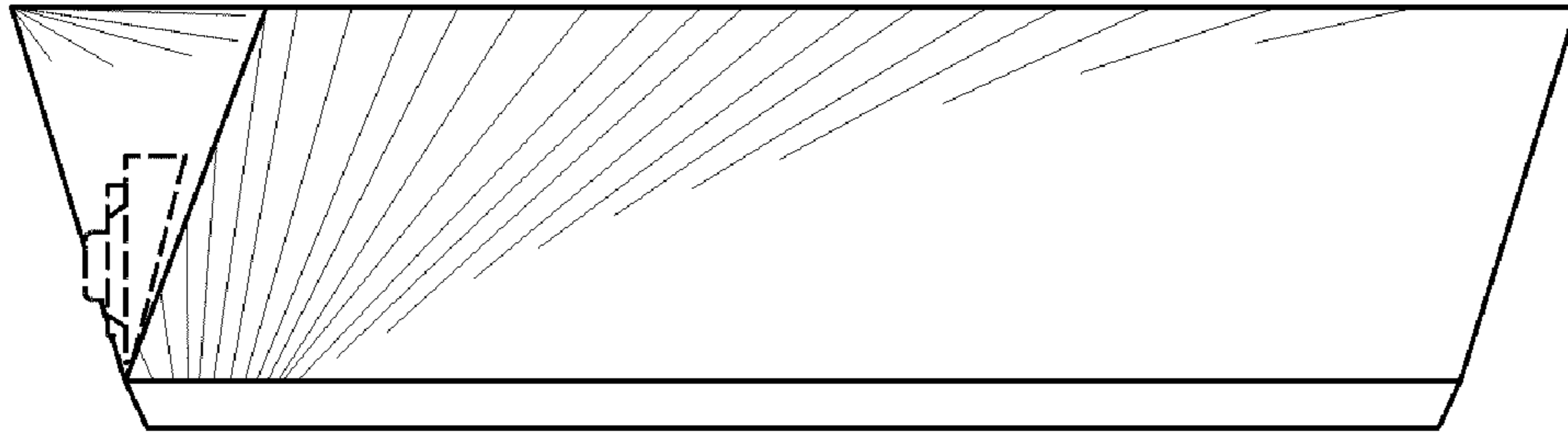
*FIG. 2*



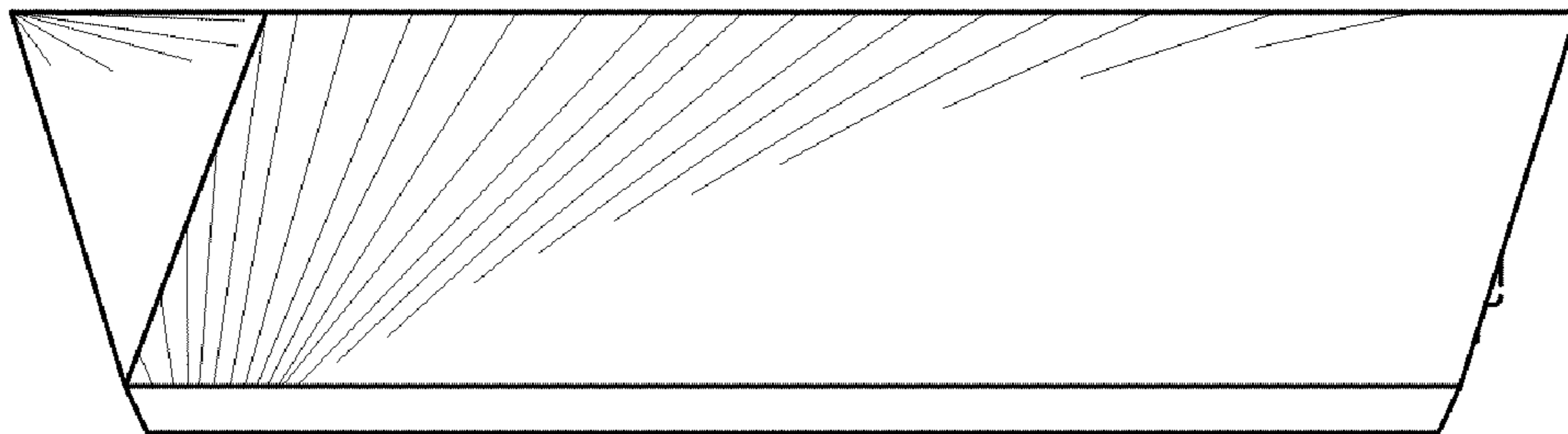
*FIG. 3*



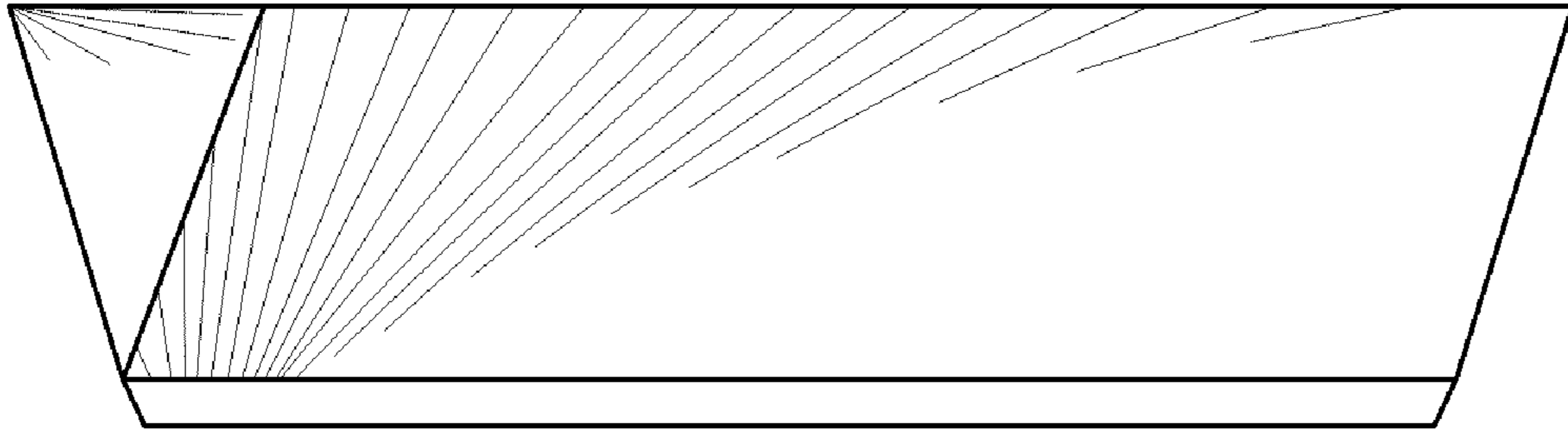
*FIG. 4*



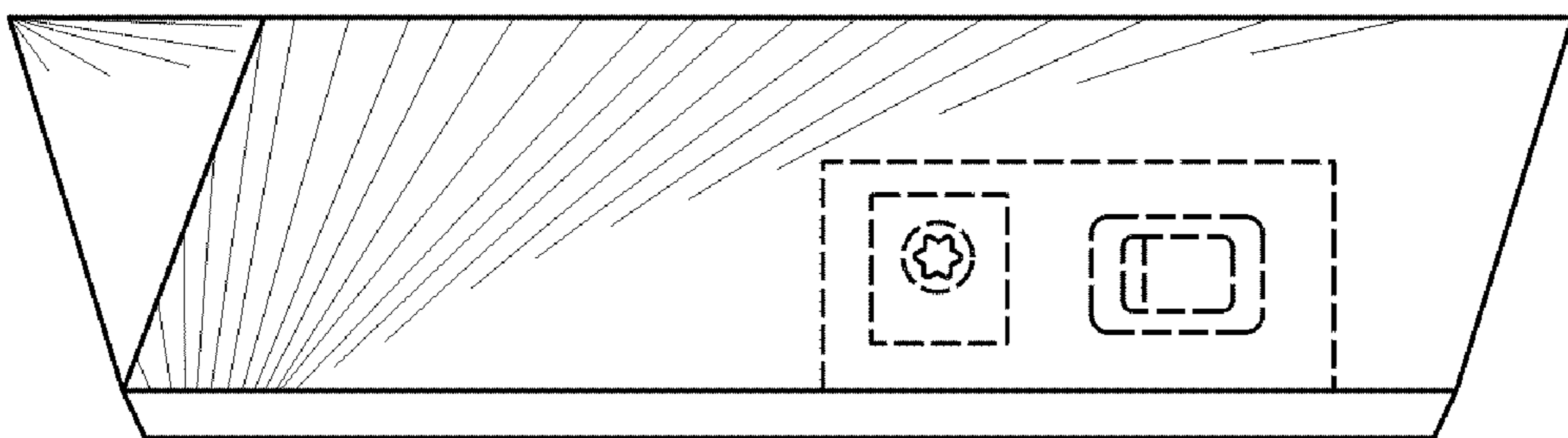
*FIG. 5*



*FIG. 6*



*FIG. 7*



*FIG. 8*