



US00D636331S

(12) **United States Design Patent**
Inskeep

(10) **Patent No.:** **US D636,331 S**

(45) **Date of Patent:** **** Apr. 19, 2011**

(54) **LITHIUM ION AUTOMOBILE JUMP STARTER**

D464,619 S * 10/2002 Krieger et al. D13/110
D549,644 S * 8/2007 Hulden D13/107
D601,496 S * 10/2009 Shum et al. D13/107

(76) Inventor: **Mathew Inskeep**, Boca Raton, FL (US)

* cited by examiner

(**) Term: **14 Years**

Primary Examiner — Rosemary K Tarcza

(21) Appl. No.: **29/370,497**

(57) **CLAIM**

The ornamental design for a lithium ion automobile jump starter, as shown and described.

(22) Filed: **Jul. 28, 2010**

DESCRIPTION

(51) **LOC (9) Cl.** **13-02**

(52) **U.S. Cl.** **D13/107**

(58) **Field of Classification Search** D13/106–110,
D13/118, 184, 199; D15/9; 320/103–105,
320/107–115

FIG. 1 is a front perspective view of lithium ion automobile jump starter showing my new design.
FIG. 2 is a front upright view thereof.
FIG. 3 is a back upright view thereof.
FIG. 4 is a right side view thereof.
FIG. 5 is a left side view thereof.
FIG. 6 is a top view thereof; and,
FIG. 7 is a bottom view thereof.

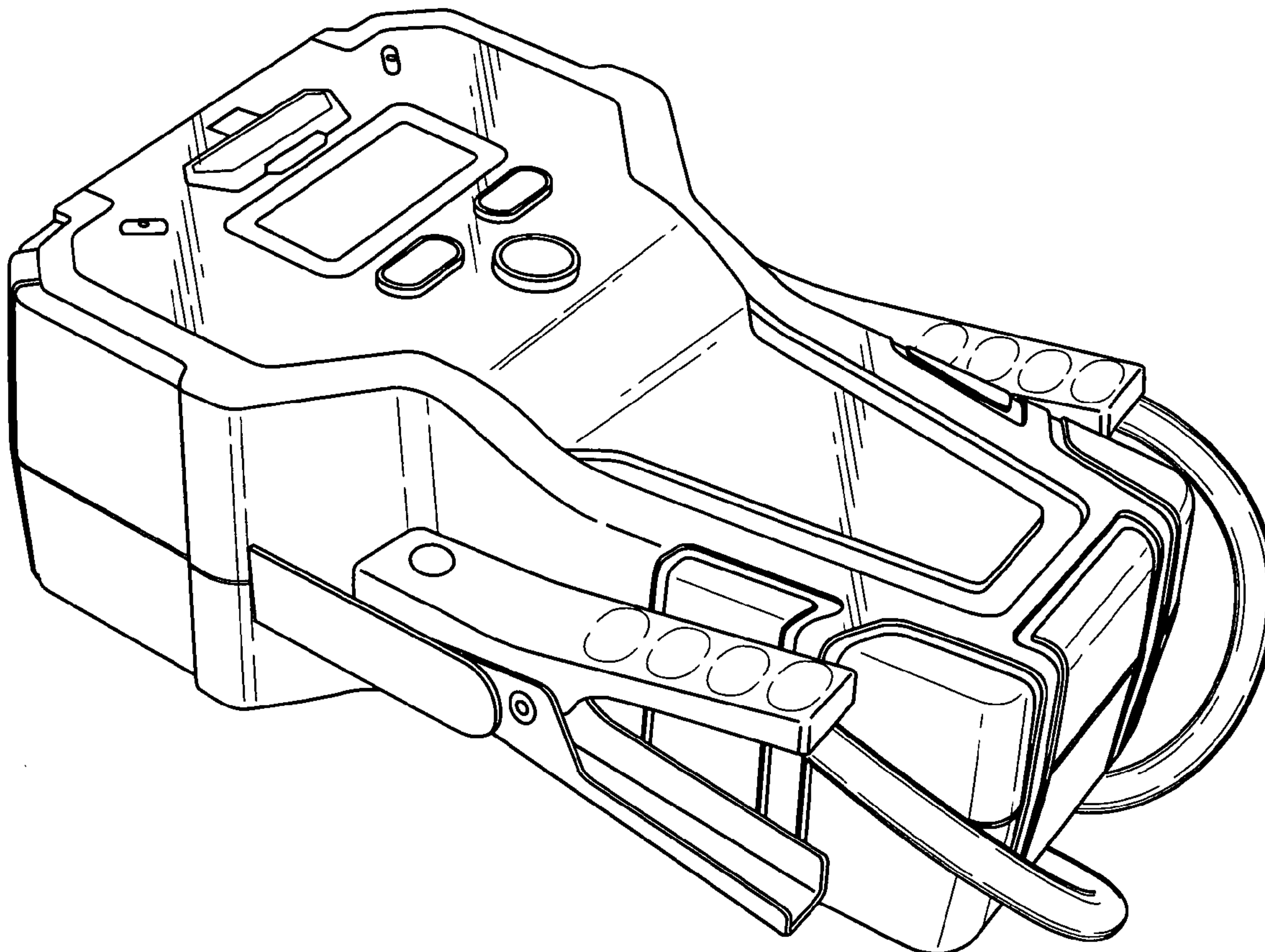
See application file for complete search history.

(56) **References Cited**

U.S. PATENT DOCUMENTS

D257,882 S * 1/1981 Rawson et al. D24/186
D432,985 S * 10/2000 Wan D13/107

1 Claim, 7 Drawing Sheets



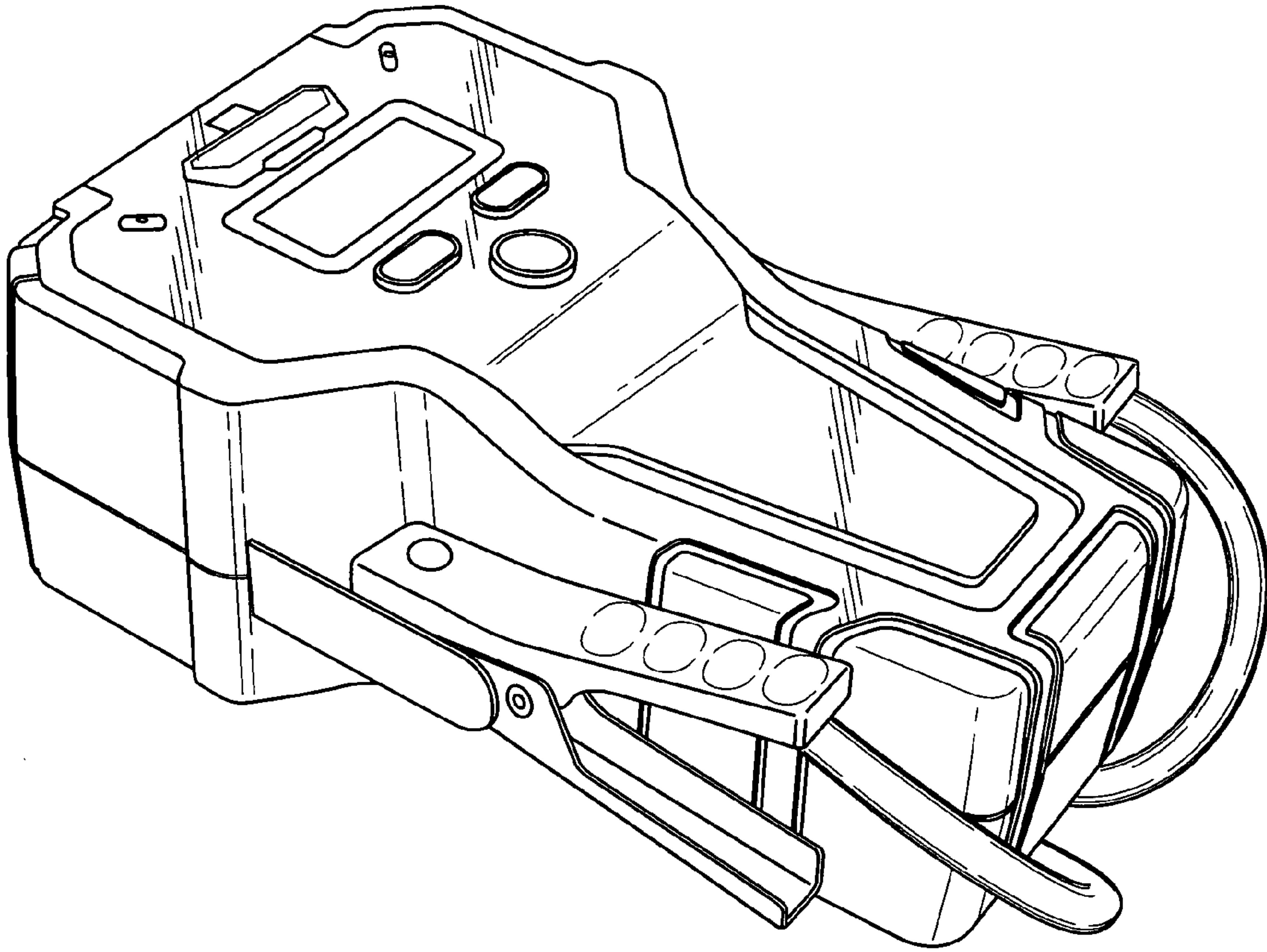


Fig. 1

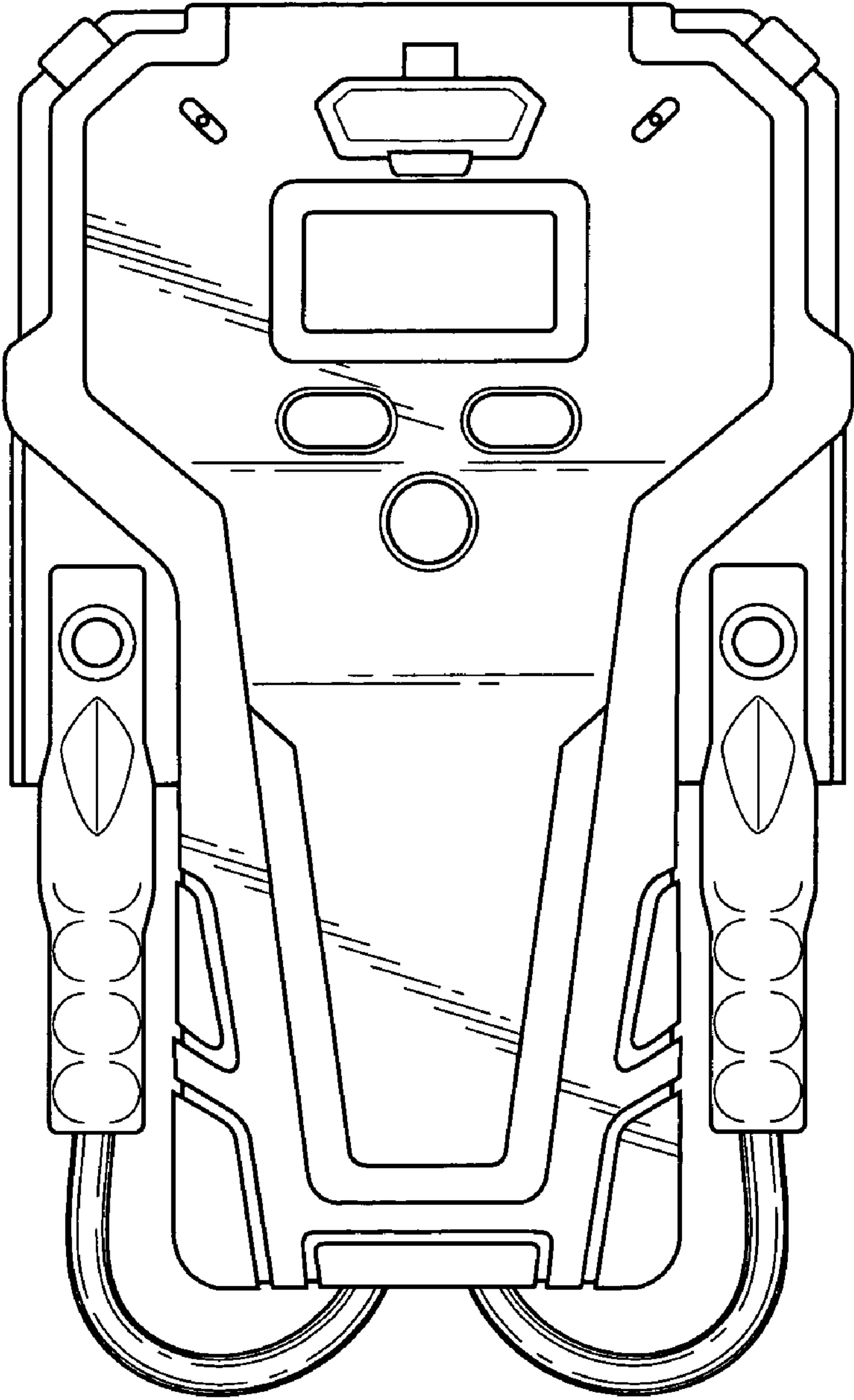


Fig. 2

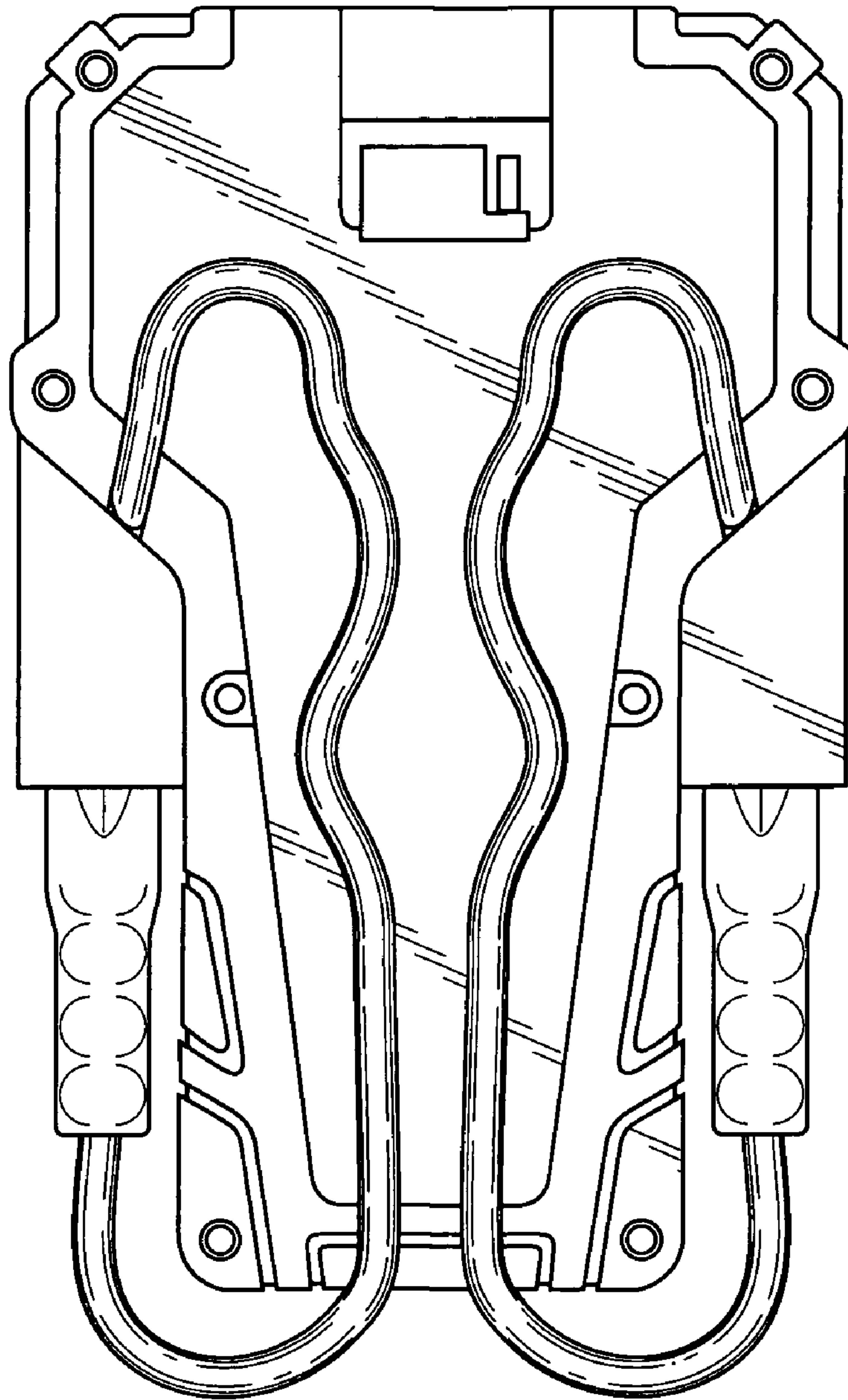


Fig. 3

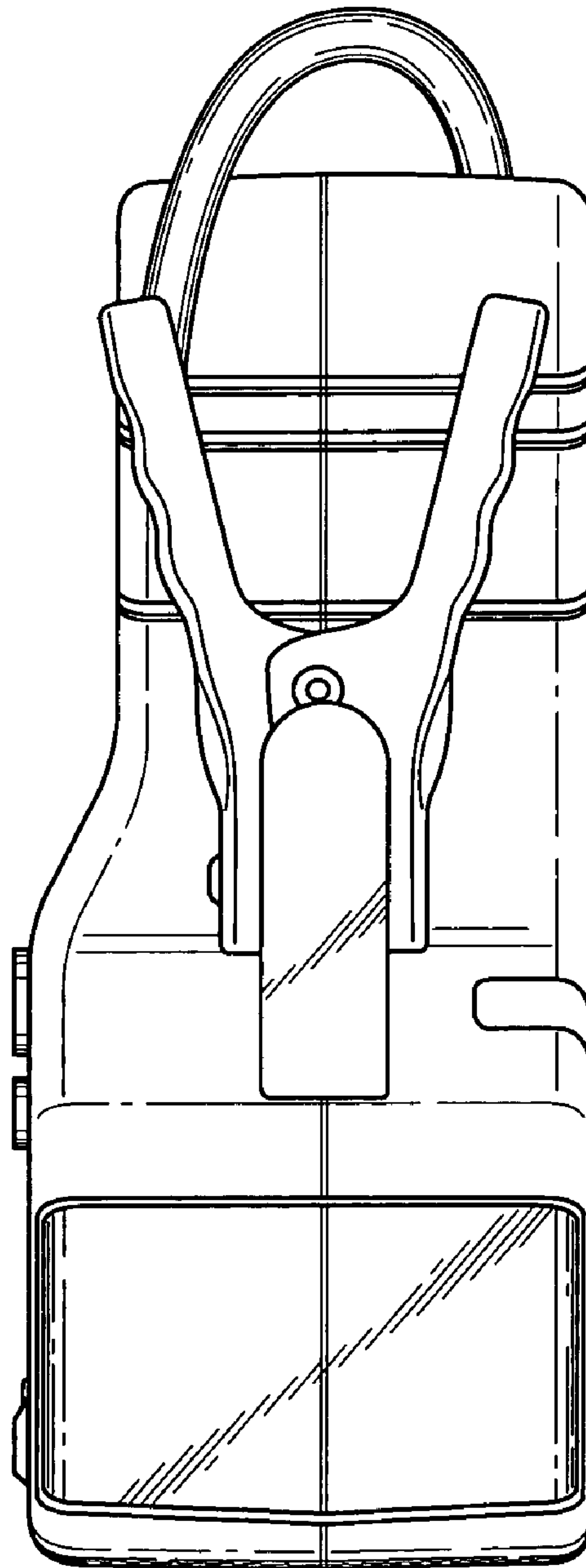


Fig. 4

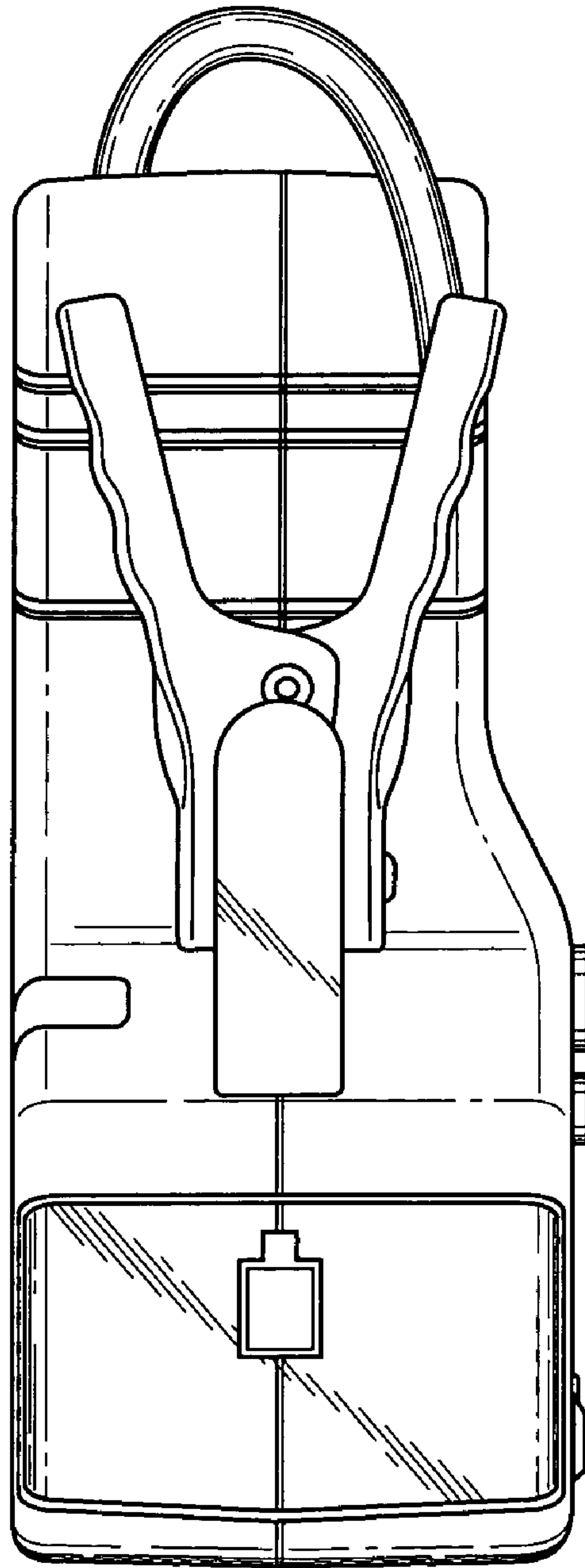


Fig. 5

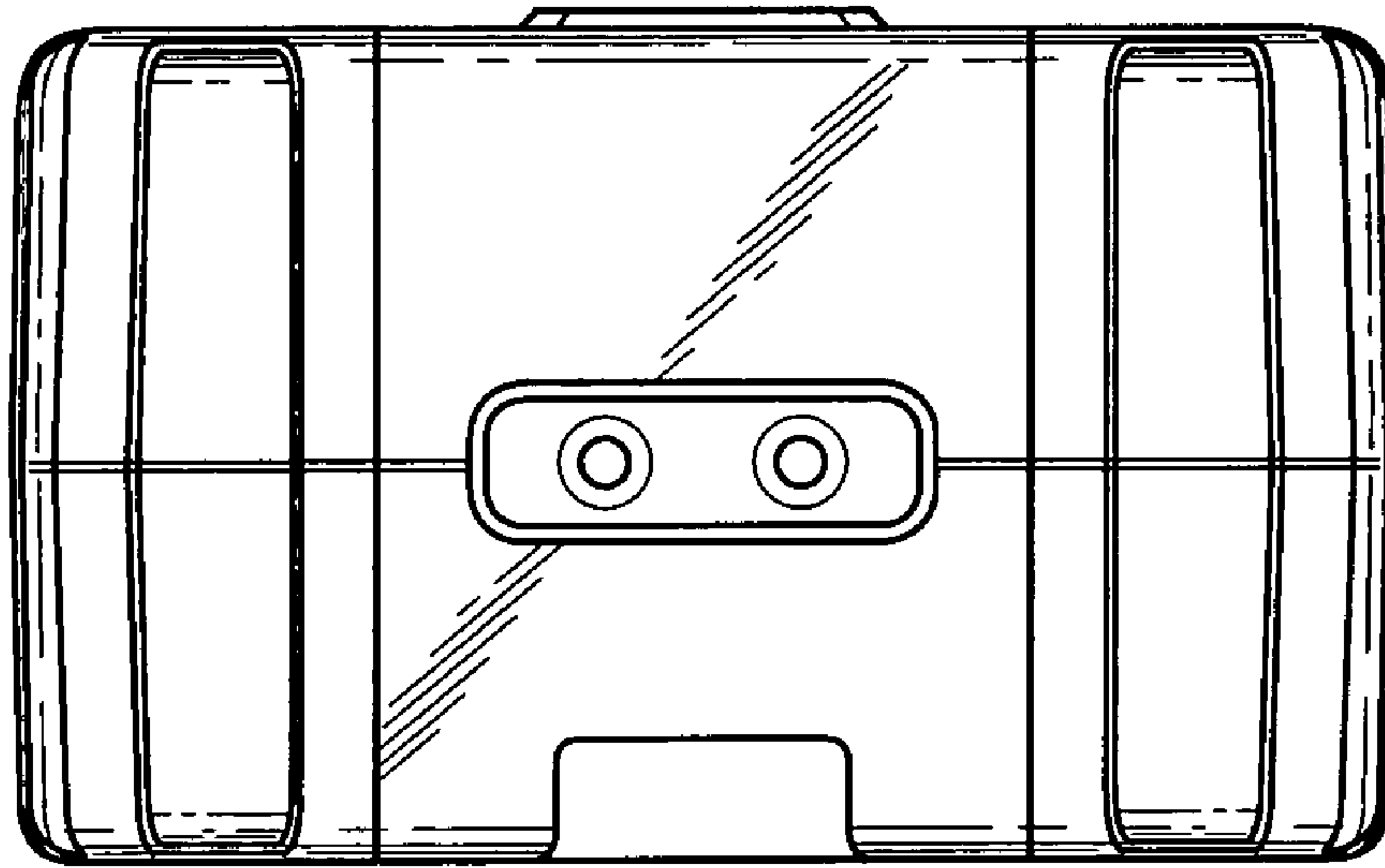


Fig. 6

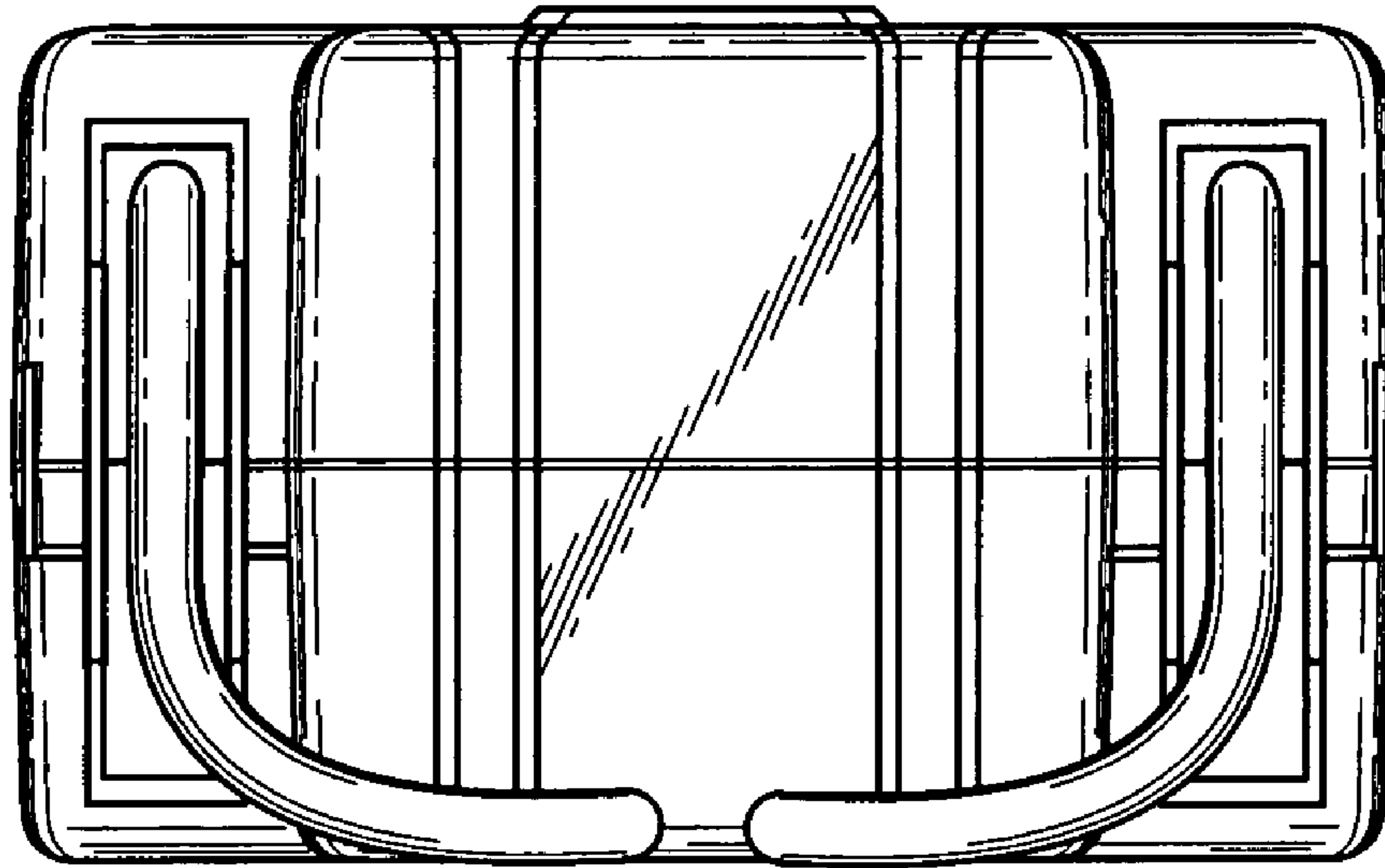


Fig. 7