



US00D636327S

(12) **United States Design Patent**
Miculka

(10) **Patent No.:** **US D636,327 S**

(45) **Date of Patent:** **** Apr. 19, 2011**

(54) **TRUCK MOUNTED TRAY**

(75) Inventor: **Rudy Miculka**, Houston, TX (US)

(73) Assignee: **Rudy Miculka**, Houston, TX (US)

(**) Term: **14 Years**

(21) Appl. No.: **29/366,818**

(22) Filed: **Jul. 30, 2010**

(51) **LOC (9) Cl.** **12-16**

(52) **U.S. Cl.** **D12/414**

(58) **Field of Classification Search** D12/413,
D12/414, 406, 412, 414.1; 293/37.1, 3, 100;
224/309-310, 315-316, 323-329, 400; D6/552,
D6/317-319, 513-514; D3/304-306; 280/760-762,
280/848, 727, 769; 296/99.1, 37.1, 100.01,
296/100.02, 157; 206/213, 8, 9, 279, 290,
206/713, 335, 315.1-315.4; D32/35, 58
See application file for complete search history.

(56) **References Cited**

U.S. PATENT DOCUMENTS

| | | | | |
|--------------|------|---------|----------------|-----------------|
| 5,605,264 | A | 2/1997 | Neal | |
| 5,924,615 | A | 7/1999 | McGarrah | |
| D487,720 | S * | 3/2004 | Thomas | D12/414 |
| D543,062 | S * | 5/2007 | Snell | D6/514 |
| D550,007 | S * | 9/2007 | Westra | D6/514 |
| D570,631 | S * | 6/2008 | Goodman et al. | D6/514 |
| D582,708 | S * | 12/2008 | Goodman et al. | D6/513 |
| D584,867 | S * | 1/2009 | Zach et al. | D32/45 |
| D614,896 | S * | 5/2010 | Stifal | D6/513 |
| D618,023 | S * | 6/2010 | Goodman et al. | D6/549 |
| 2010/0147713 | A1 * | 6/2010 | Huang | 206/315.7 |

* cited by examiner

Primary Examiner — Caron Veynar

Assistant Examiner — Katrina A Kile

(74) *Attorney, Agent, or Firm* — Locke Lord Bissell & Liddell LLP

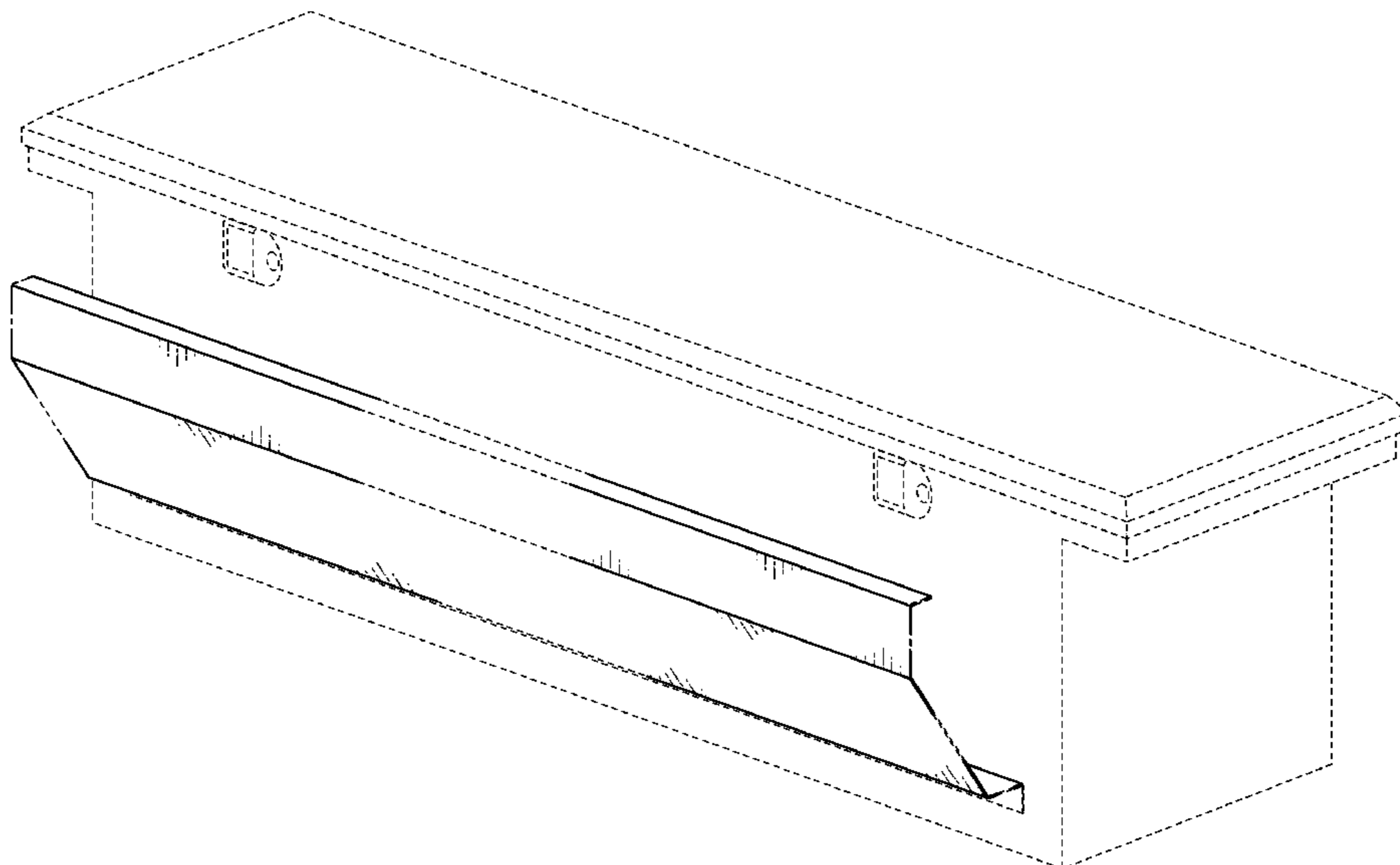
(57) **CLAIM**

The ornamental design for a truck mounted tray, as shown and described.

DESCRIPTION

FIG. 1 is a perspective view of a truck mounted tray.
 FIG. 2 is a front view of the truck mounted tray.
 FIG. 3 is a back view the truck mounted tray.
 FIG. 4 is a right side view the truck mounted tray.
 FIG. 5 is a left side view of the truck mounted tray.
 FIG. 6 is a top view of the truck mounted tray.
 FIG. 7 is a bottom view of the truck mounted tray.
 FIG. 8 is a perspective view of a second embodiment of the truck mounted tray.
 FIG. 9 is a right side view of the second embodiment of the truck mounted tray.
 FIG. 10 is a left side view of the second embodiment of the truck mounted tray.
 FIG. 11 is a front view of the second embodiment of the truck mounted tray.
 FIG. 12 is a back view of the second embodiment of the truck mounted tray.
 FIG. 13 is a top view of the second embodiment of the truck mounted tray; and,
 FIG. 14 is a bottom view of the second embodiment of the truck mounted tray.
 The broken lines in FIGS. 1-14 are for illustrating portions of the tray or the environmental structure and form no part of the claimed design.

1 Claim, 8 Drawing Sheets



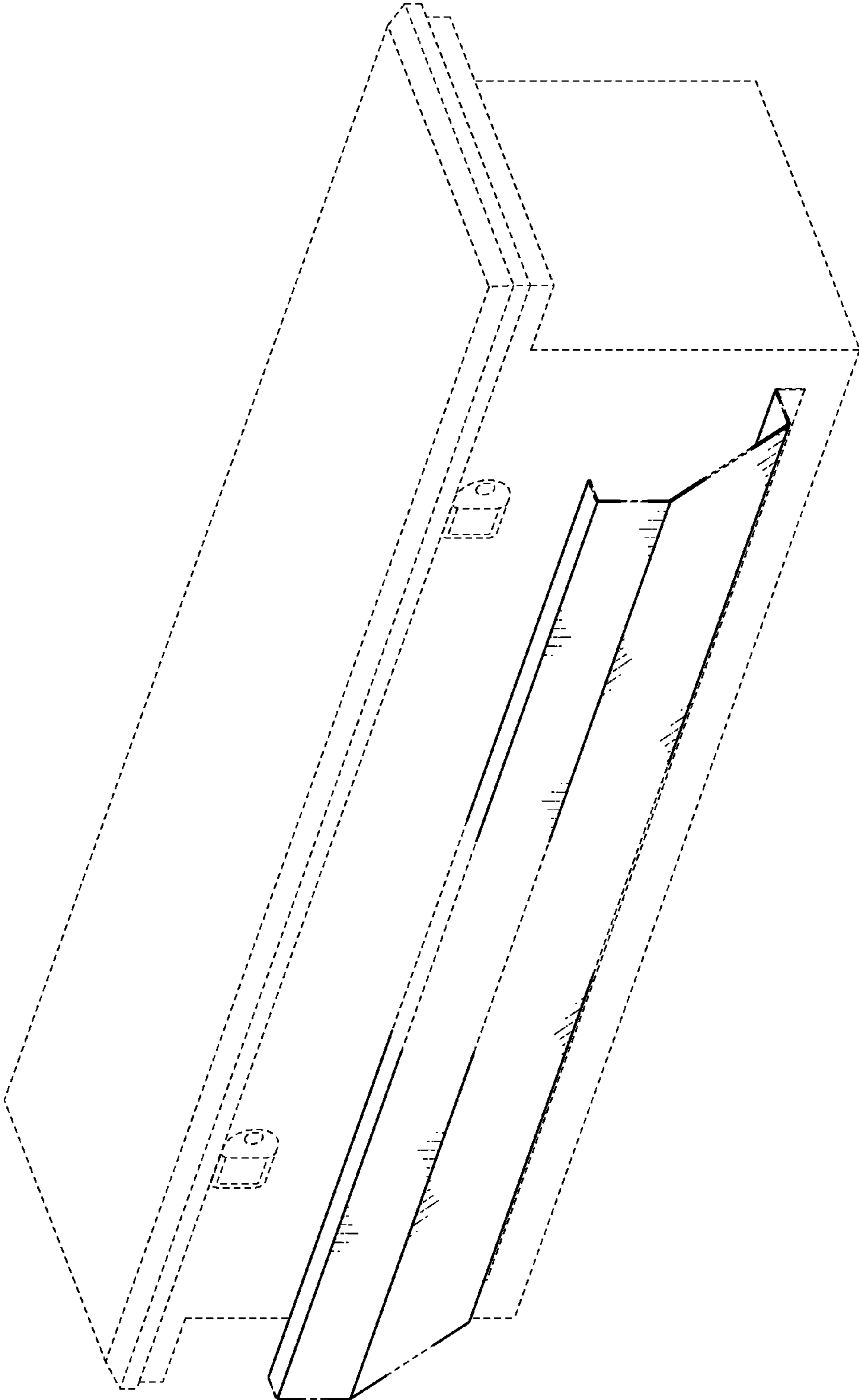


FIG. 1

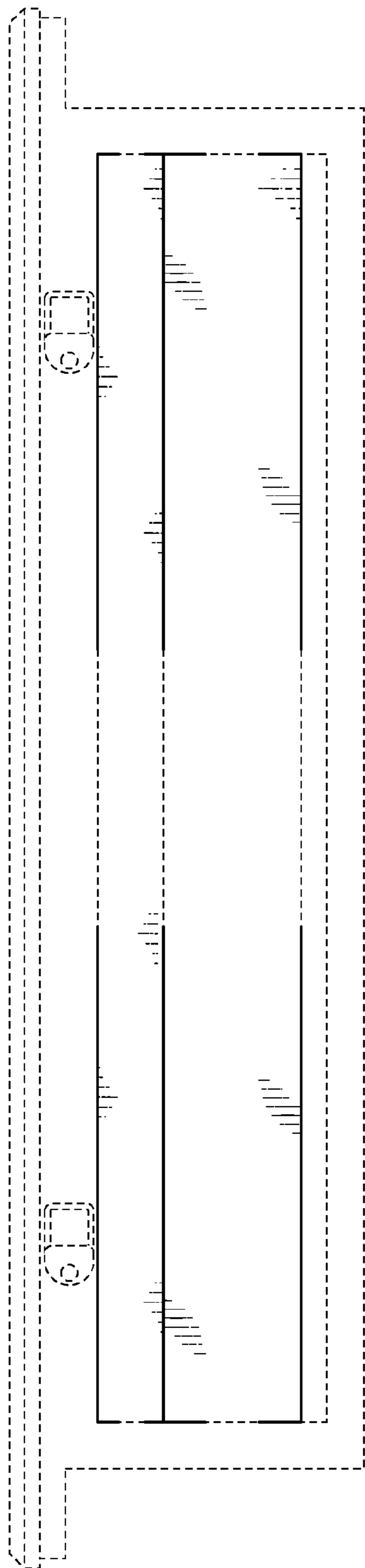


FIG. 2

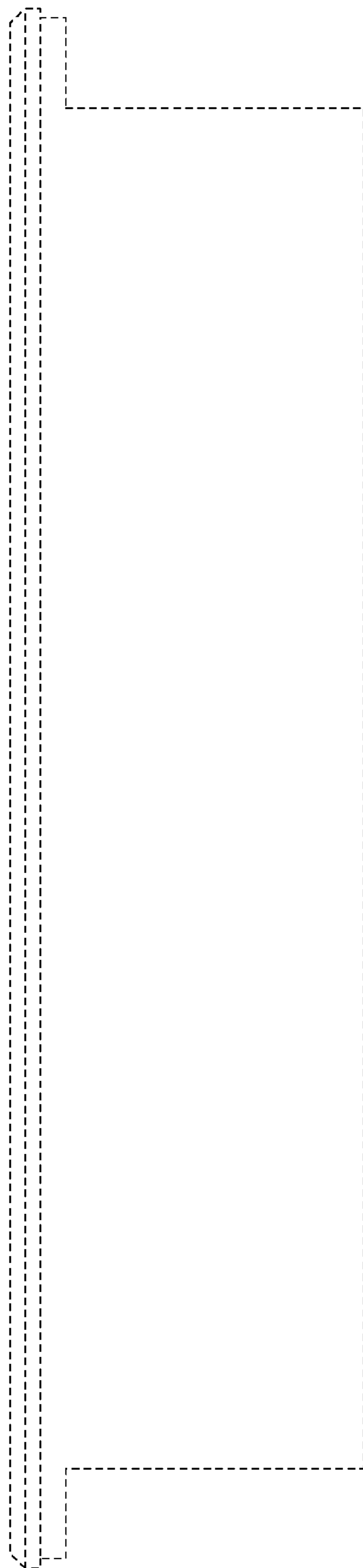


FIG. 3

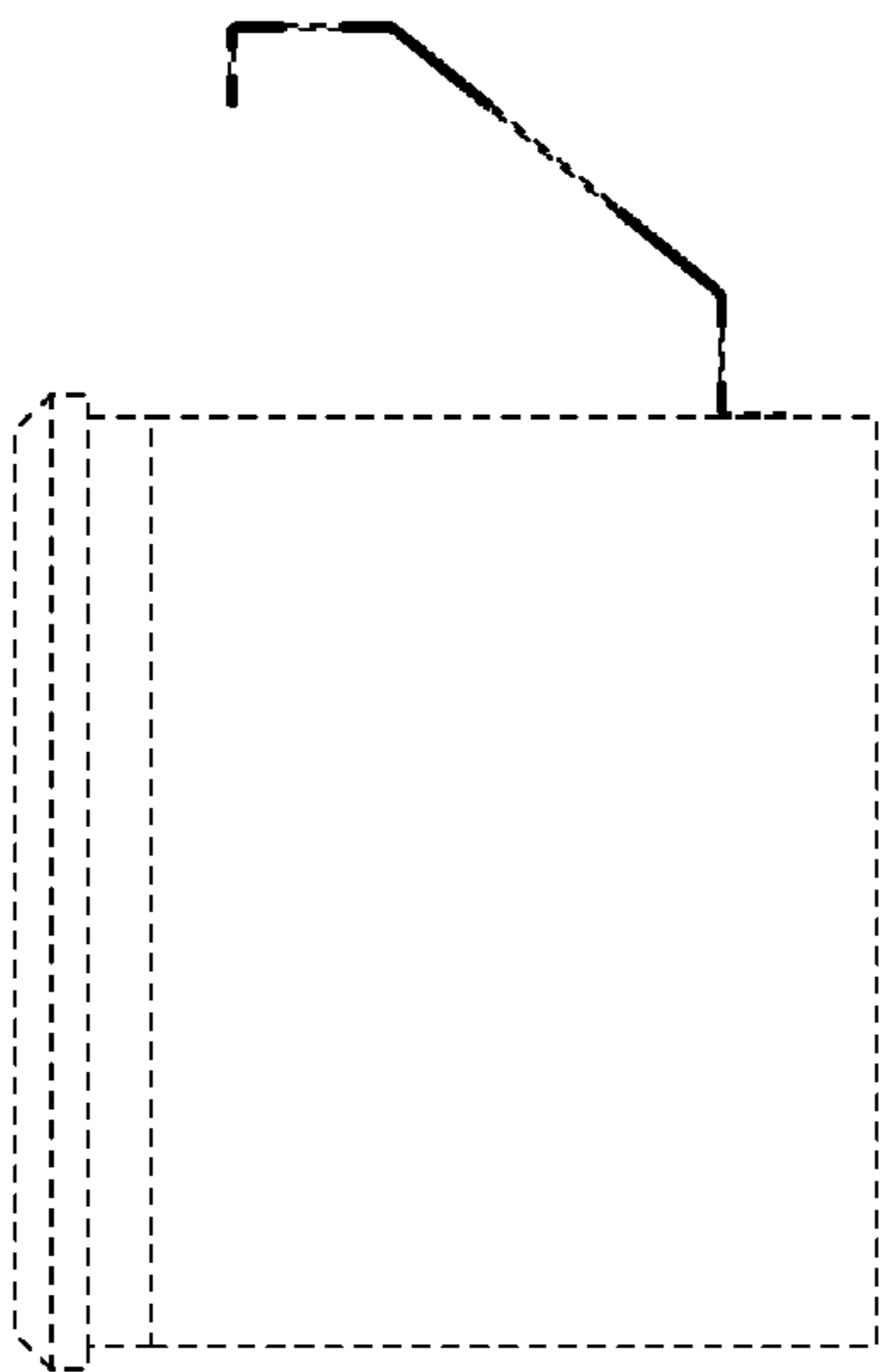


FIG. 4

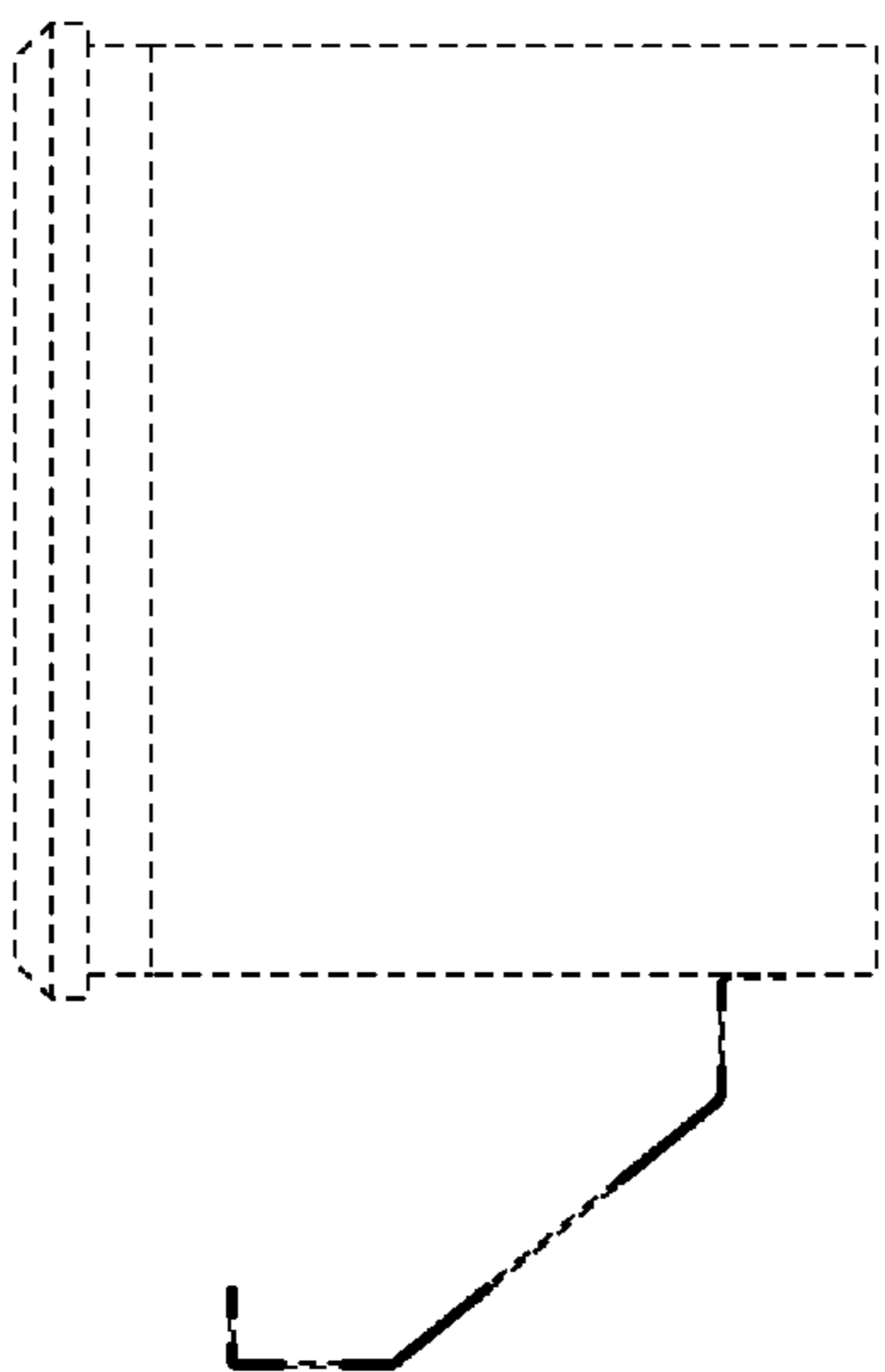


FIG. 5

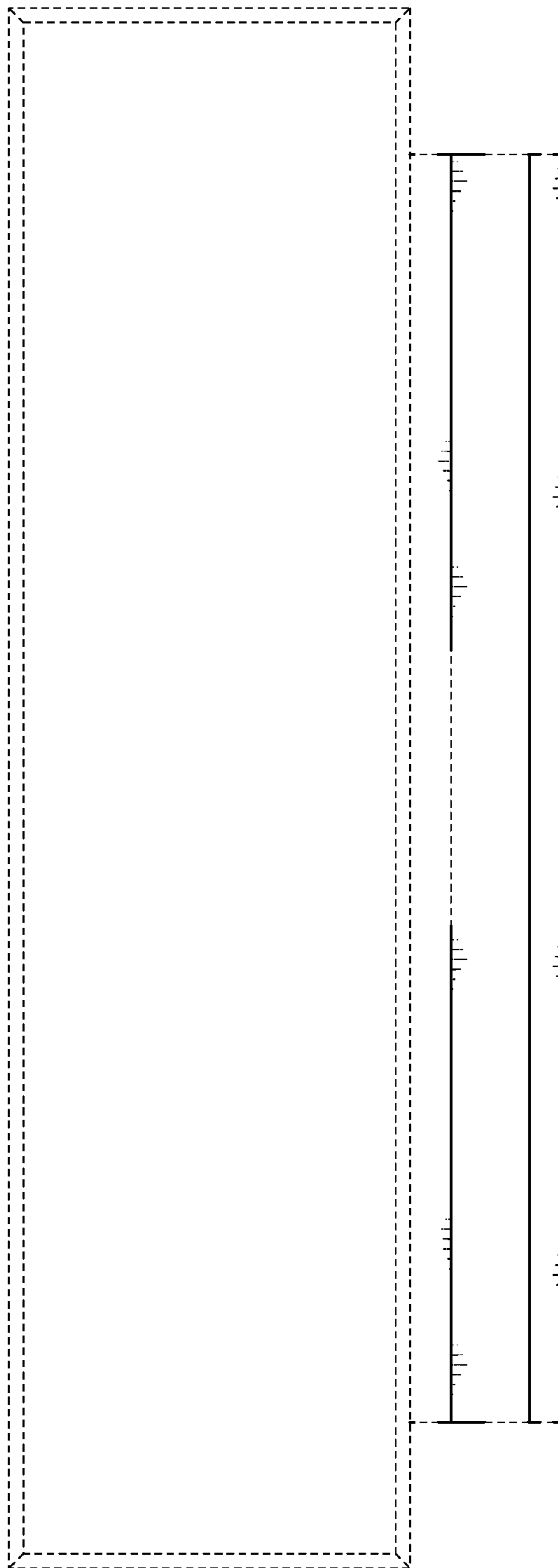


FIG. 6

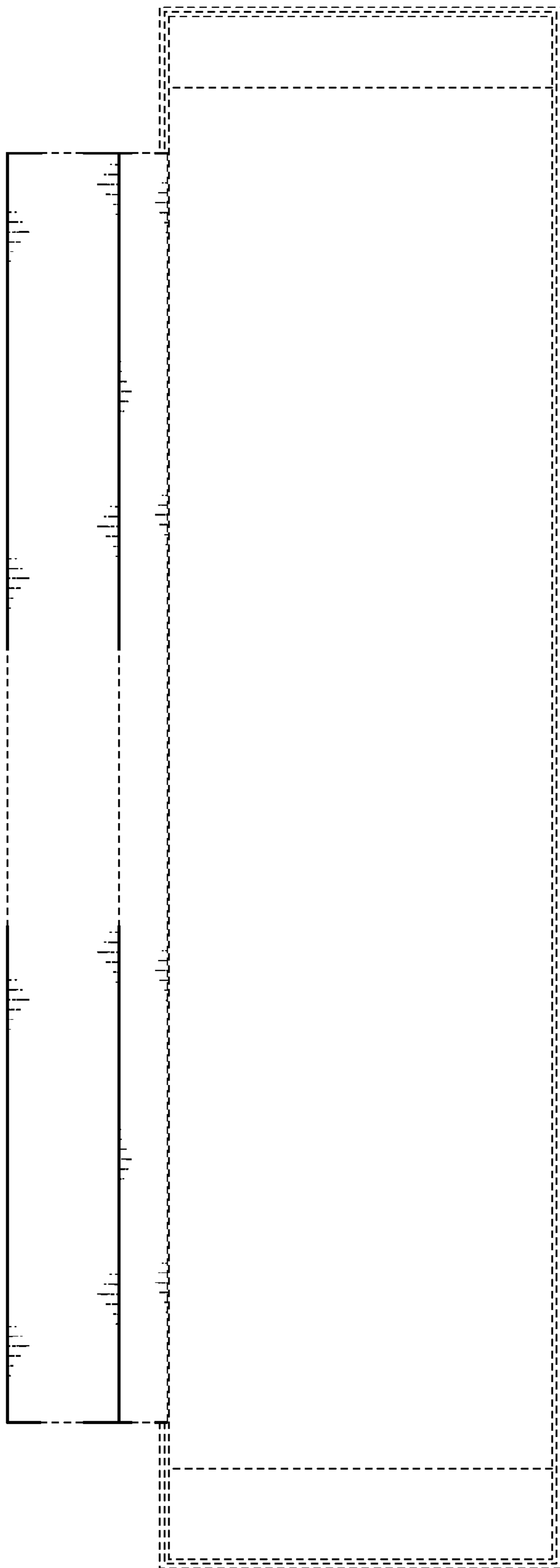


FIG. 7

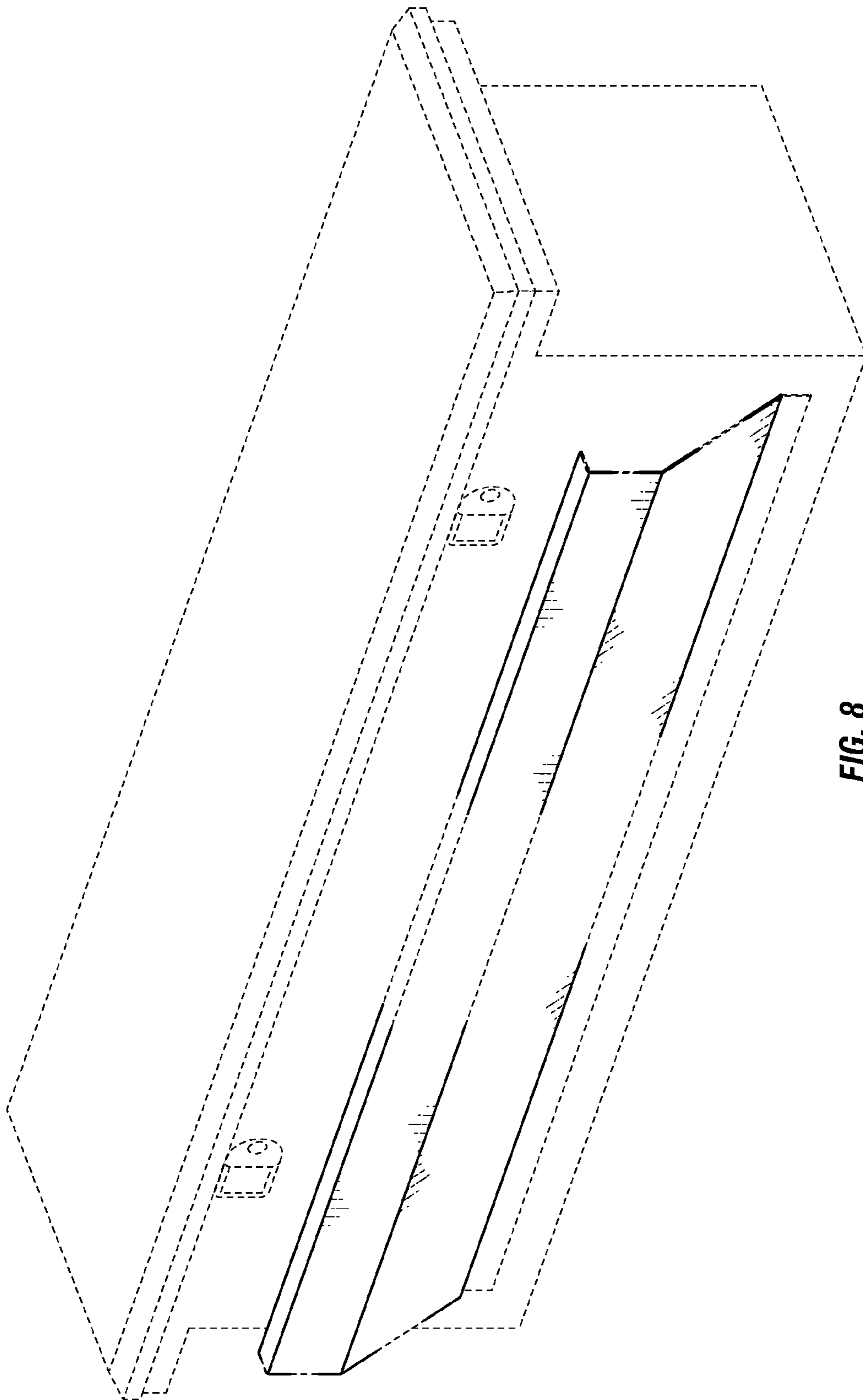


FIG. 8

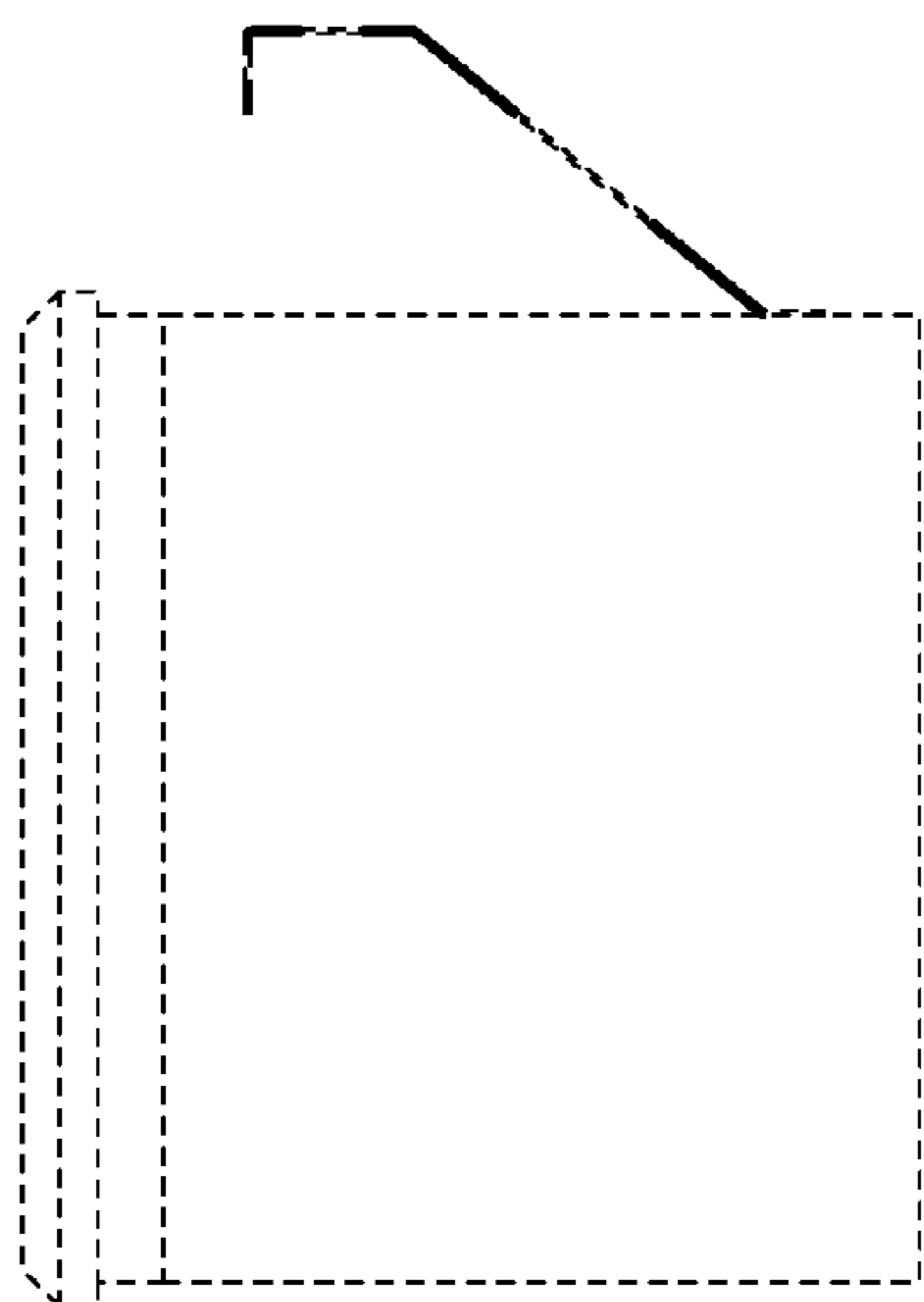


FIG. 9

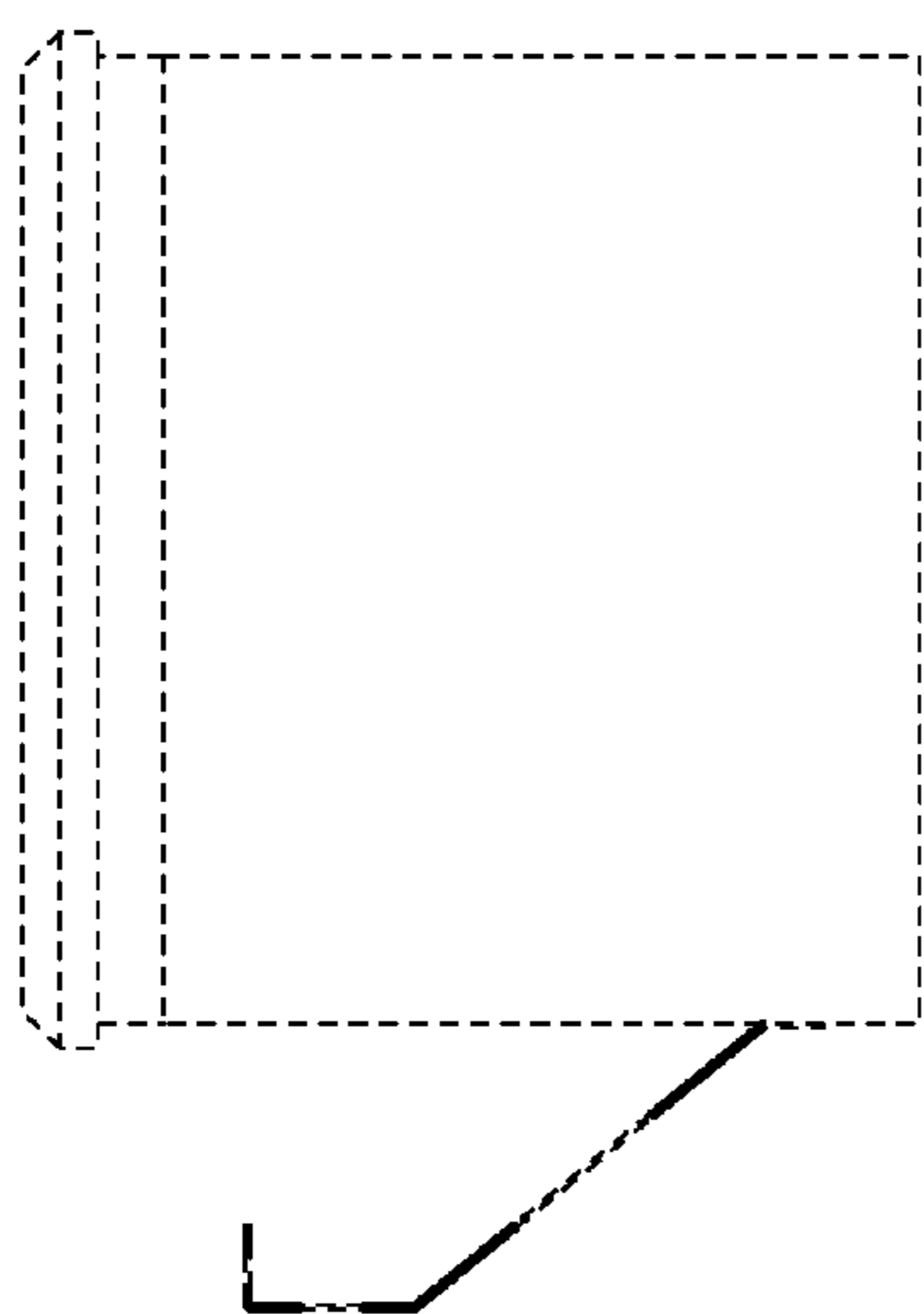


FIG. 10

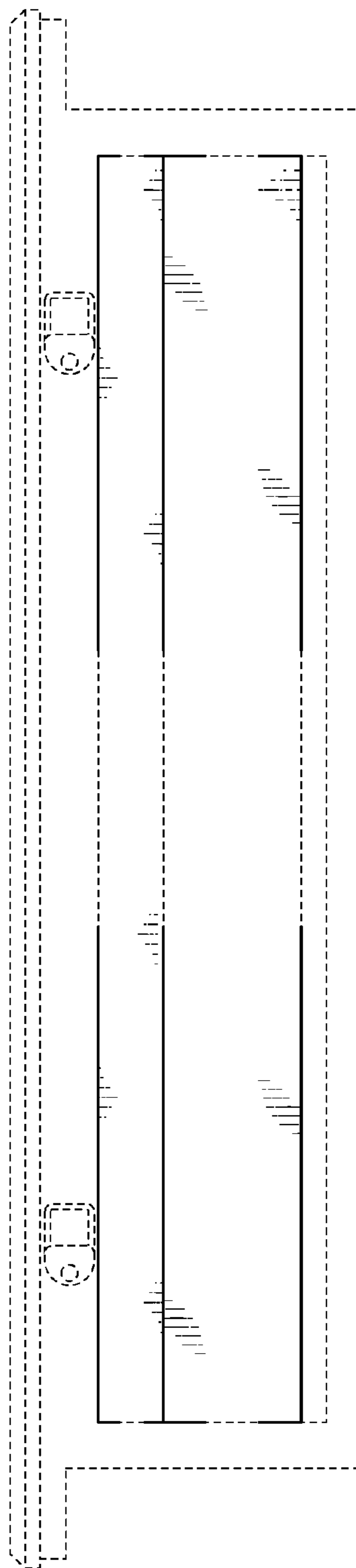


FIG. 11

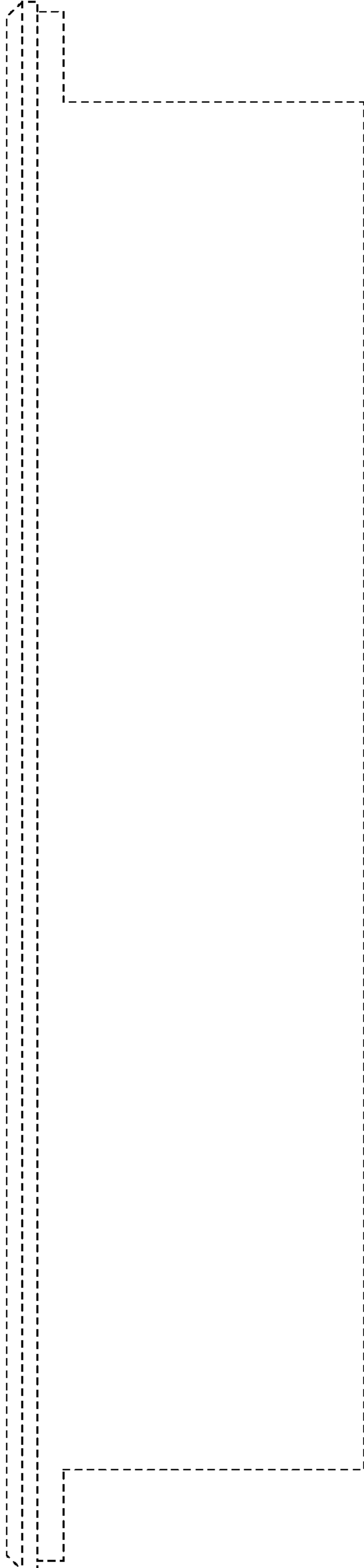


FIG. 12

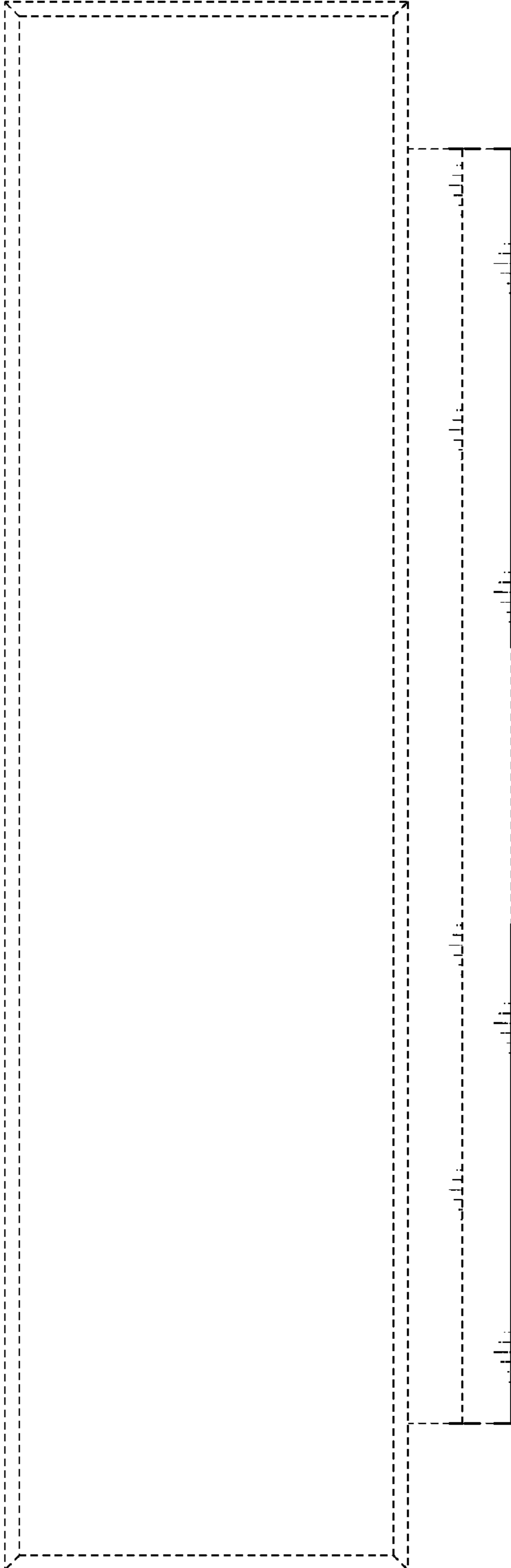


FIG. 13

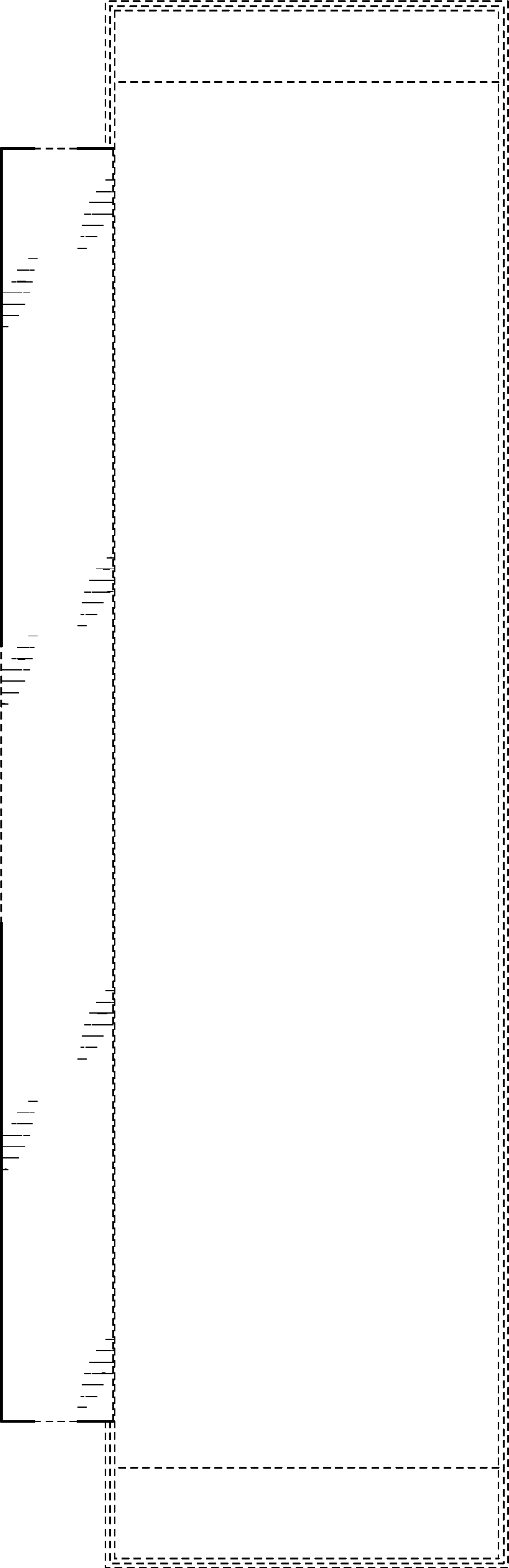


FIG. 14