

US00D636322S

(12) **United States Design Patent**
Cote

(10) **Patent No.:** **US D636,322 S**
(45) **Date of Patent:** **** Apr. 19, 2011**

(54) **LATERAL SHROUD FOR A WATERCRAFT**

DESCRIPTION

- (75) Inventor: **Andre Cote**, Longueil (CA)
- (73) Assignee: **Bombardier Recreational Products Inc.**, Valcourt (CA)
- (**) Term: **14 Years**
- (21) Appl. No.: **29/352,524**
- (22) Filed: **Dec. 22, 2009**
- (51) **LOC (9) Cl.** **12-06**
- (52) **U.S. Cl.** **D12/317**
- (58) **Field of Classification Search** D12/300,
D12/307, 317; 114/55.5, 55.55, 55, 56, 7,
114/357, 380
See application file for complete search history.

(56) **References Cited**

U.S. PATENT DOCUMENTS

D478,035 S *	8/2003	Bills et al.	D12/317
D517,466 S *	3/2006	Bucaccio et al.	D12/307
D518,432 S *	4/2006	Bucaccio et al.	D12/307
D608,719 S	1/2010	Cote et al.	

* cited by examiner

Primary Examiner — Lisa P Lichtenstein

(74) *Attorney, Agent, or Firm* — Osler, Hoskin & Harcourt LLP

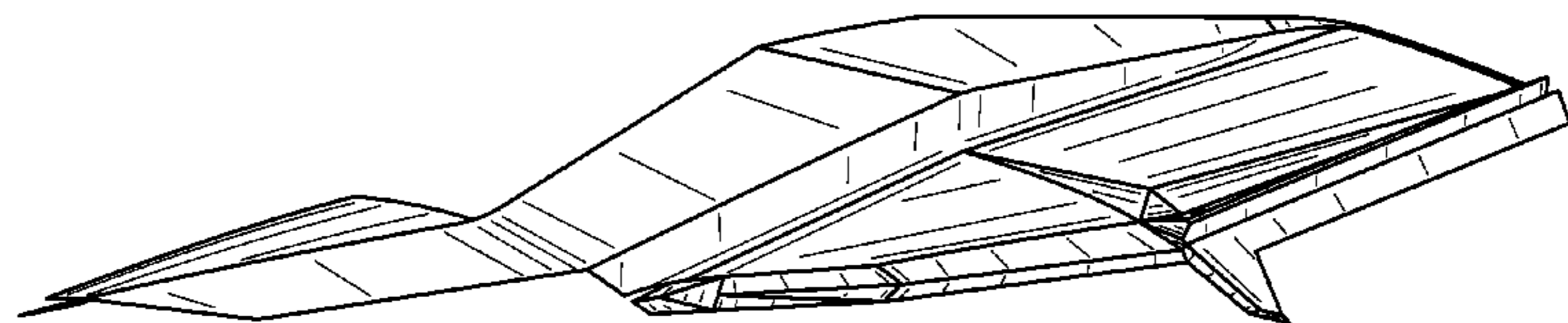
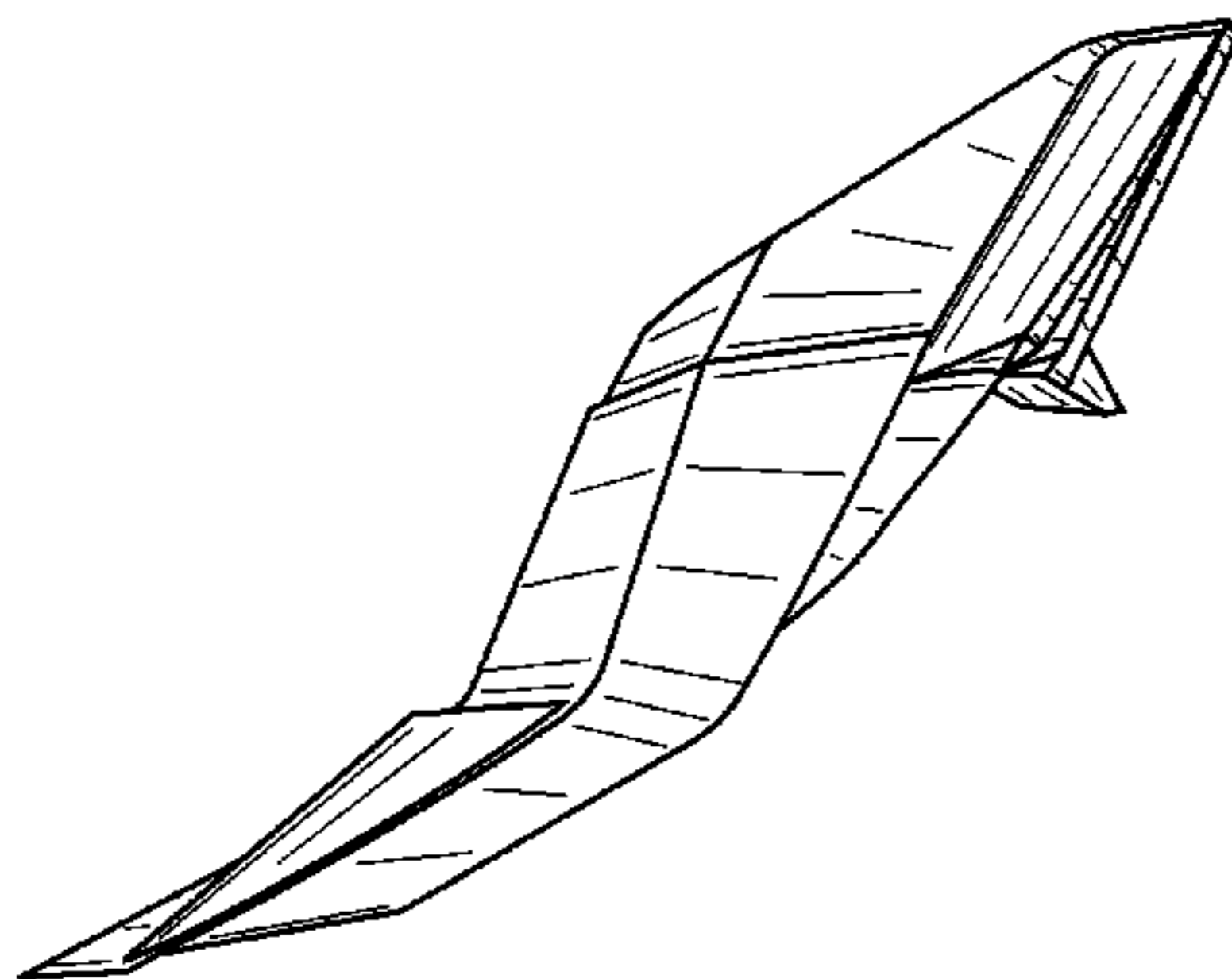
(57) **CLAIM**

The ornamental design for a lateral shroud for a watercraft, as shown and described.

FIG. 1 is a top, front, left perspective view of a left lateral shroud for a watercraft according to my design;
 FIG. 2 is a left side elevation view thereof;
 FIG. 3 is a right side elevation view thereof;
 FIG. 4 is a front elevation view thereof;
 FIG. 5 is a rear elevation view thereof;
 FIG. 6 is a top plan view thereof;
 FIG. 7 is a bottom plan view thereof;
 FIG. 8 is a top, front, right perspective view of a right lateral shroud for a watercraft according to my design;
 FIG. 9 is a right side elevation view thereof;
 FIG. 10 is a left side elevation view thereof;
 FIG. 11 is a front elevation view thereof;
 FIG. 12 is a rear elevation view thereof;
 FIG. 13 is a top plan view thereof;
 FIG. 14 is a bottom plan view thereof;
 FIG. 15 is a top, front, left perspective view of the left lateral shroud for a watercraft of FIG. 1 shown on a watercraft shown in dotted lines; and,
 FIG. 16 is a left side elevation view of the left lateral shroud for a watercraft of FIG. 1 shown on a watercraft shown in dotted lines.

Throughout the Figures, where shown: (i) the dotted lines showing additional structure of the lateral shroud for a watercraft and the watercraft on which it is shown are for illustrative purposes only and form no part of the claimed design; and (ii) the unshaded surfaces do not form part of the claimed design.

1 Claim, 14 Drawing Sheets



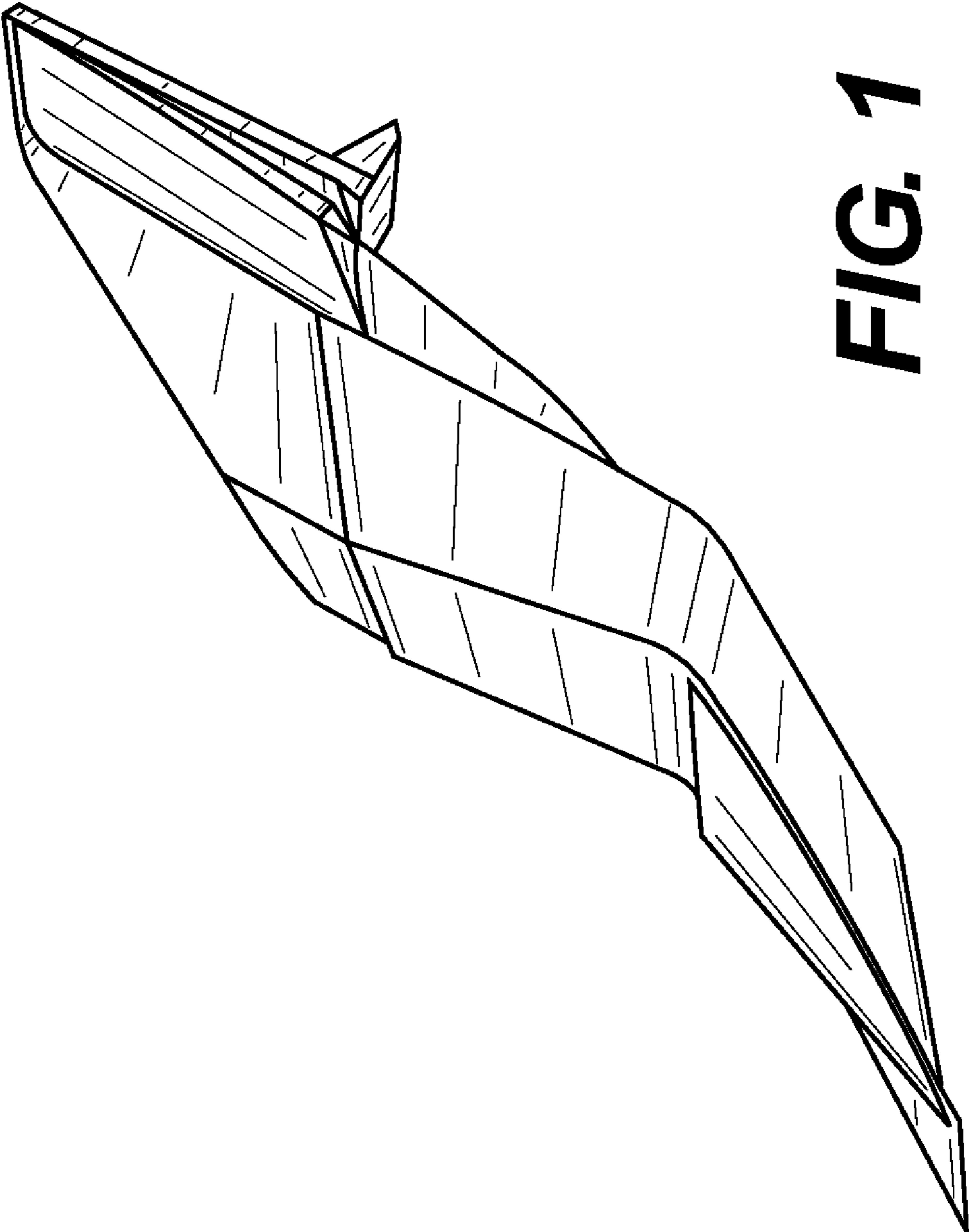


FIG. 1

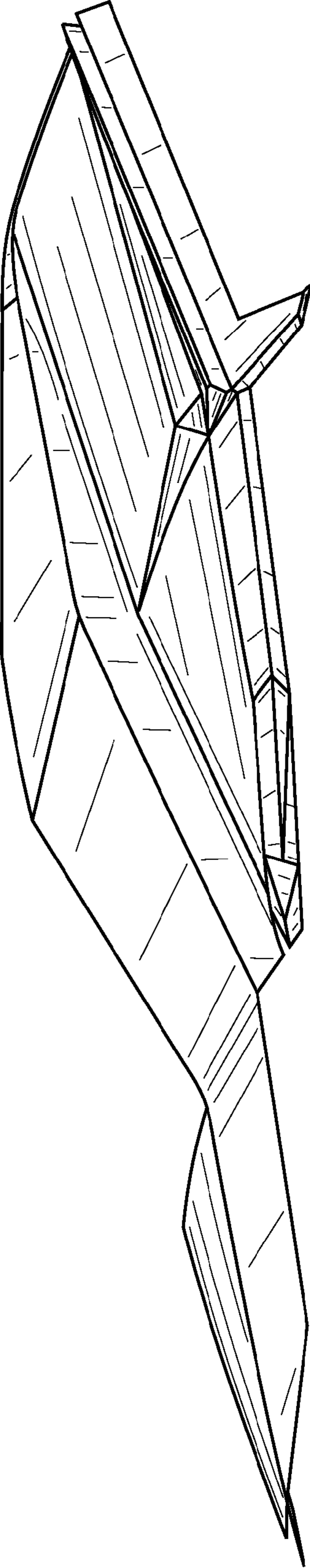


FIG. 2

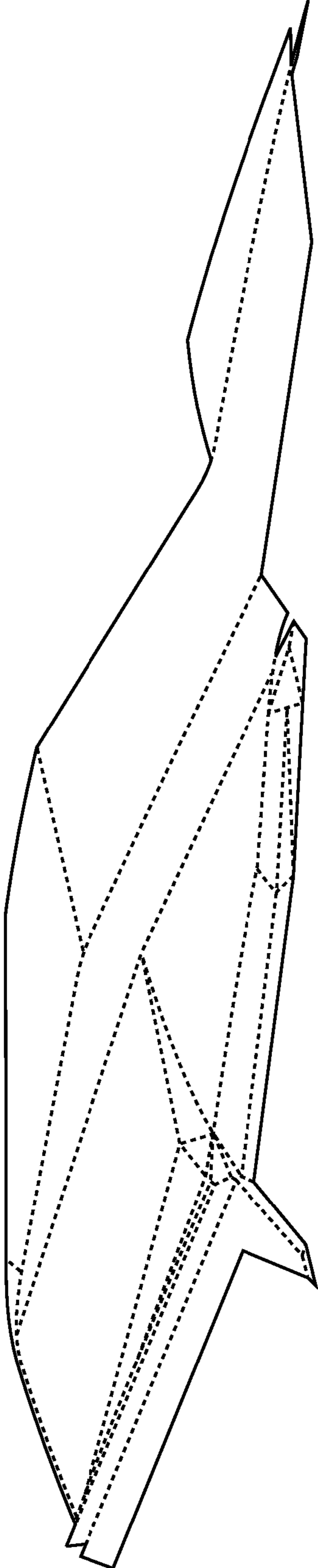


FIG. 3

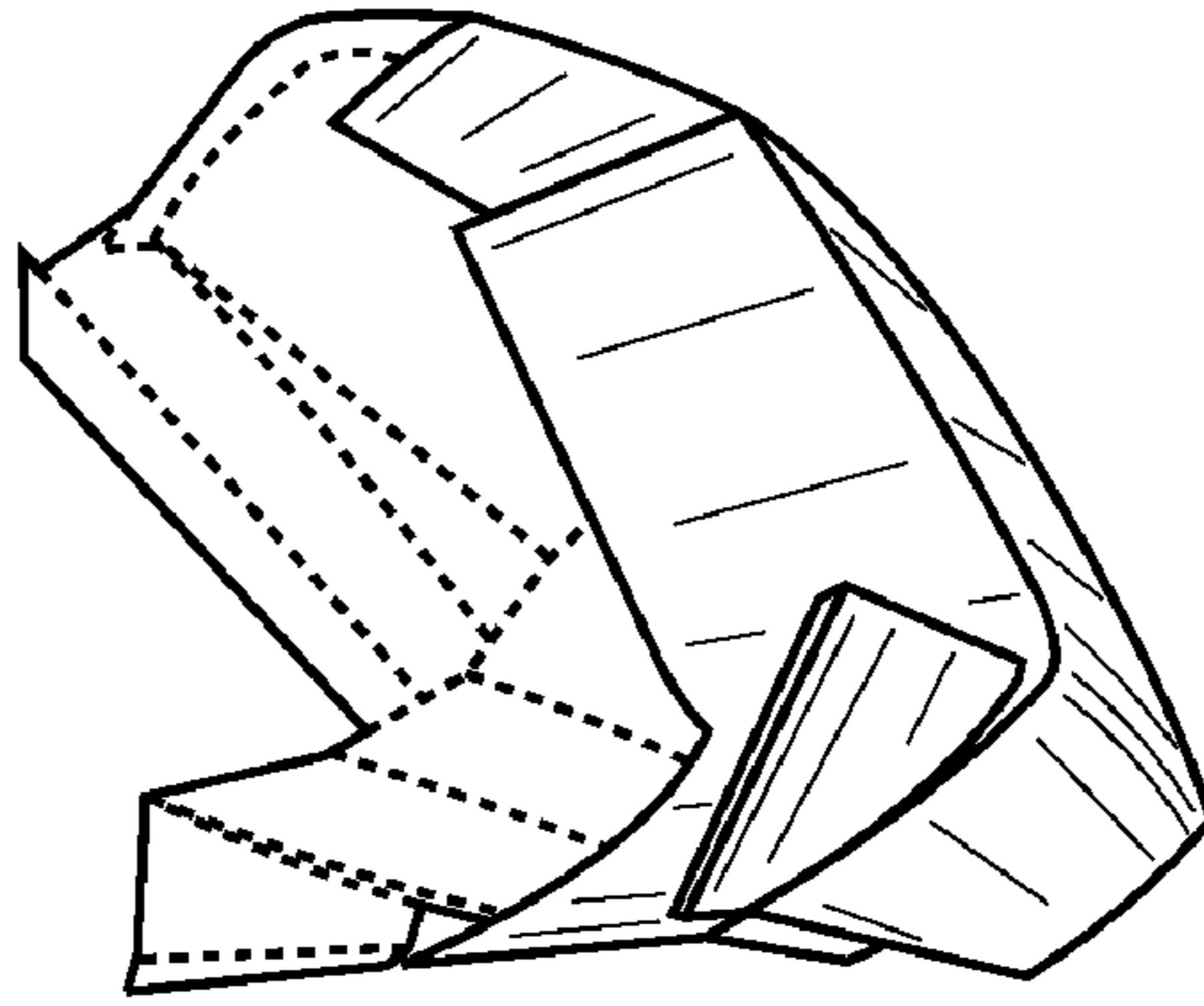


FIG. 4

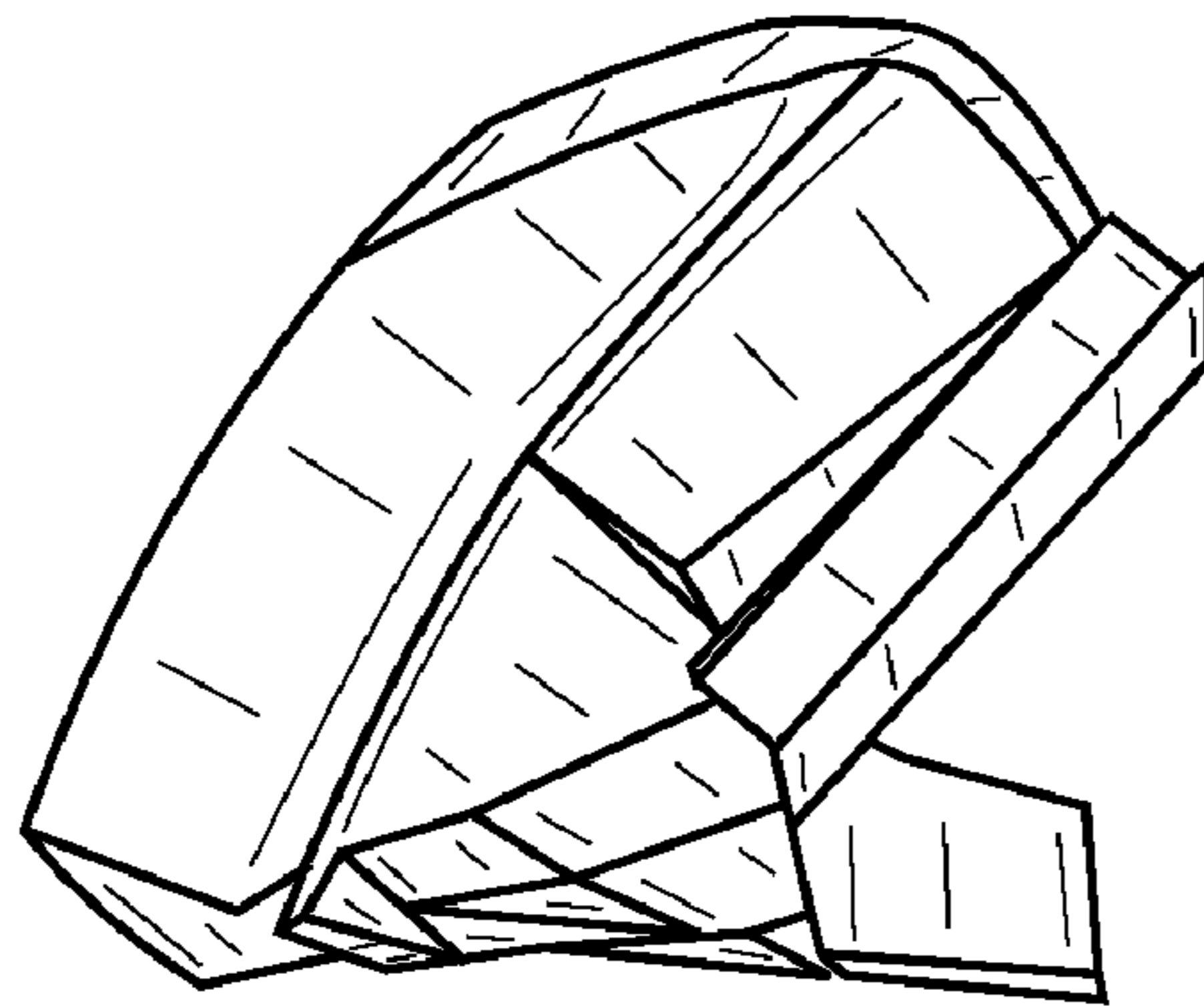


FIG. 5

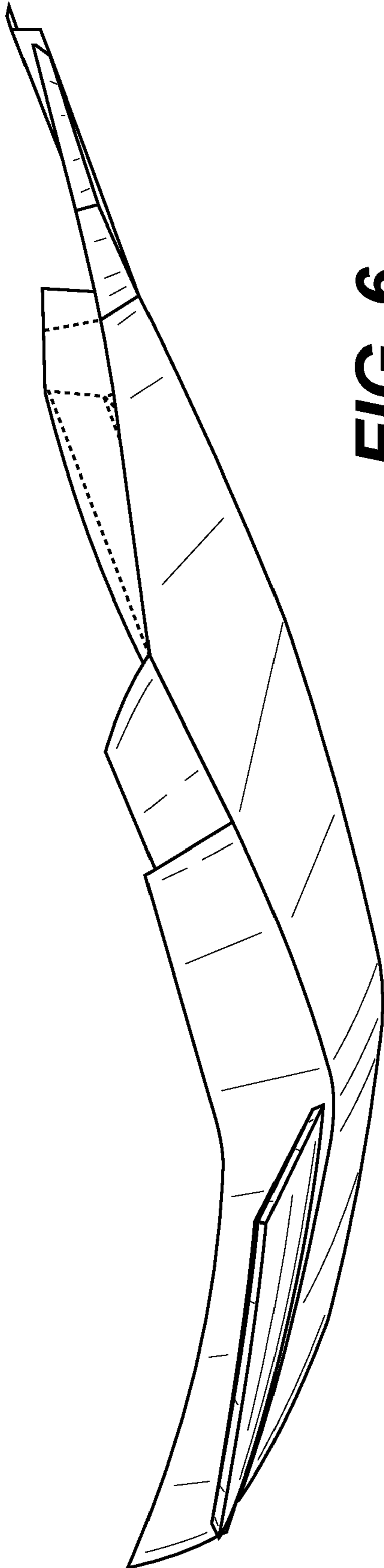


FIG. 6

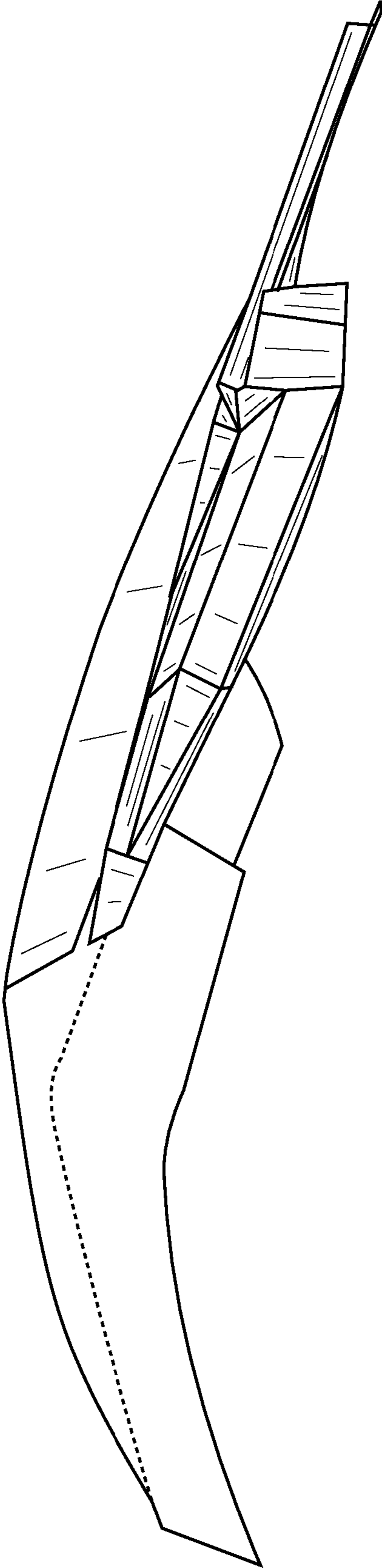


FIG. 7

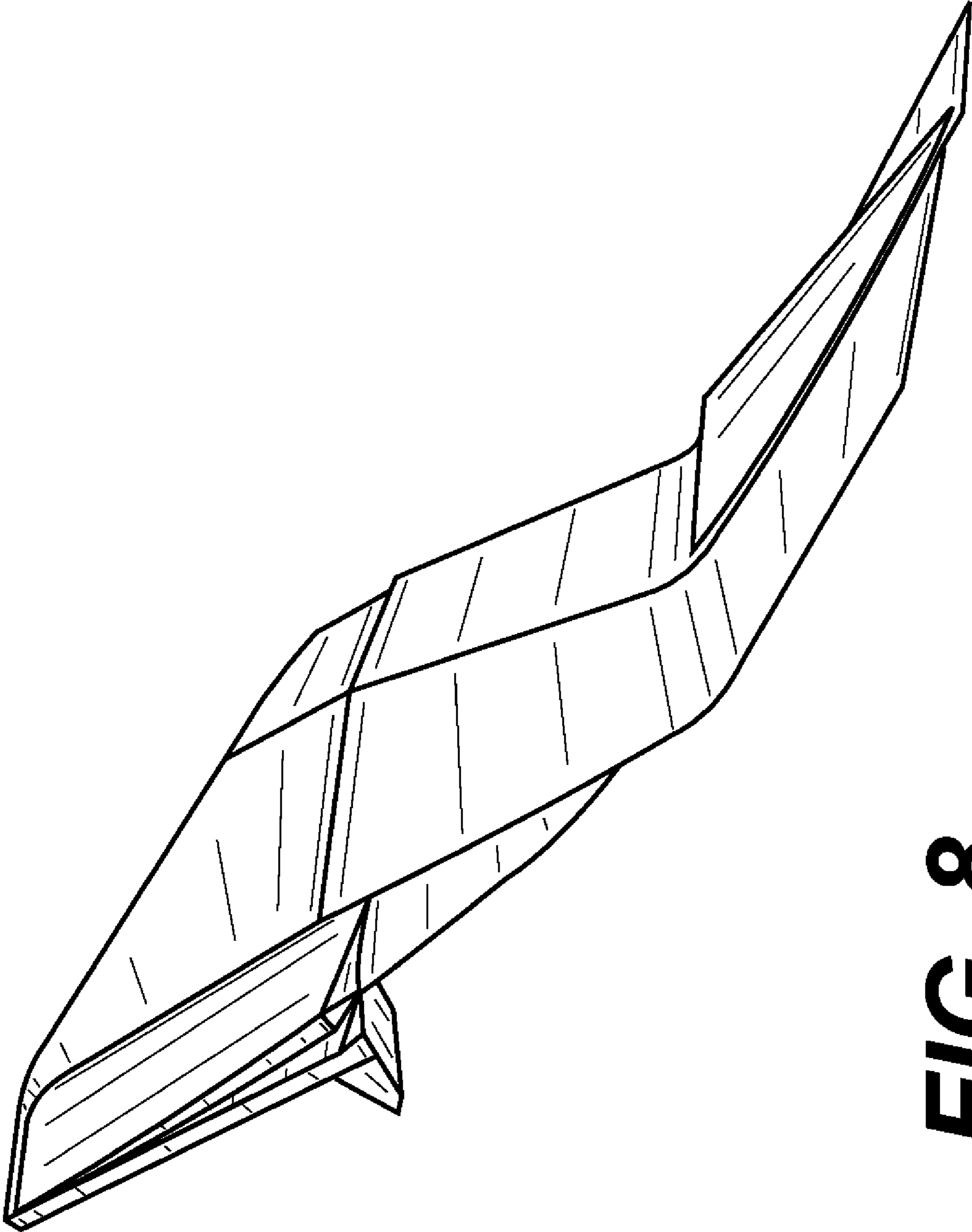


FIG. 8

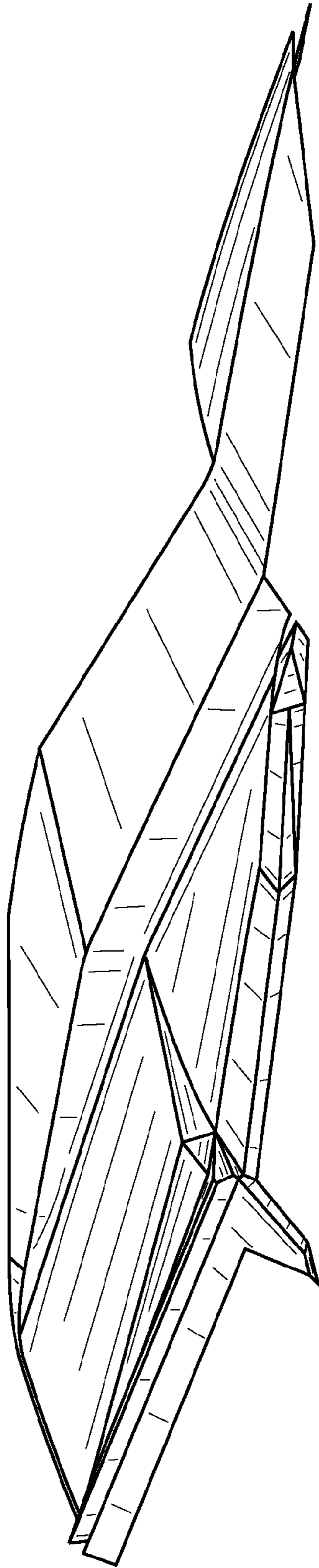


FIG. 9

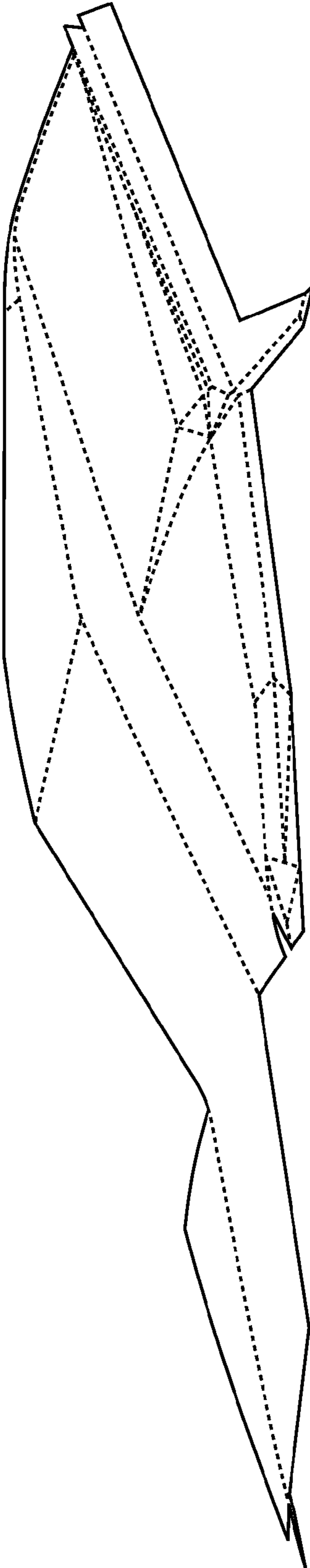


FIG. 10

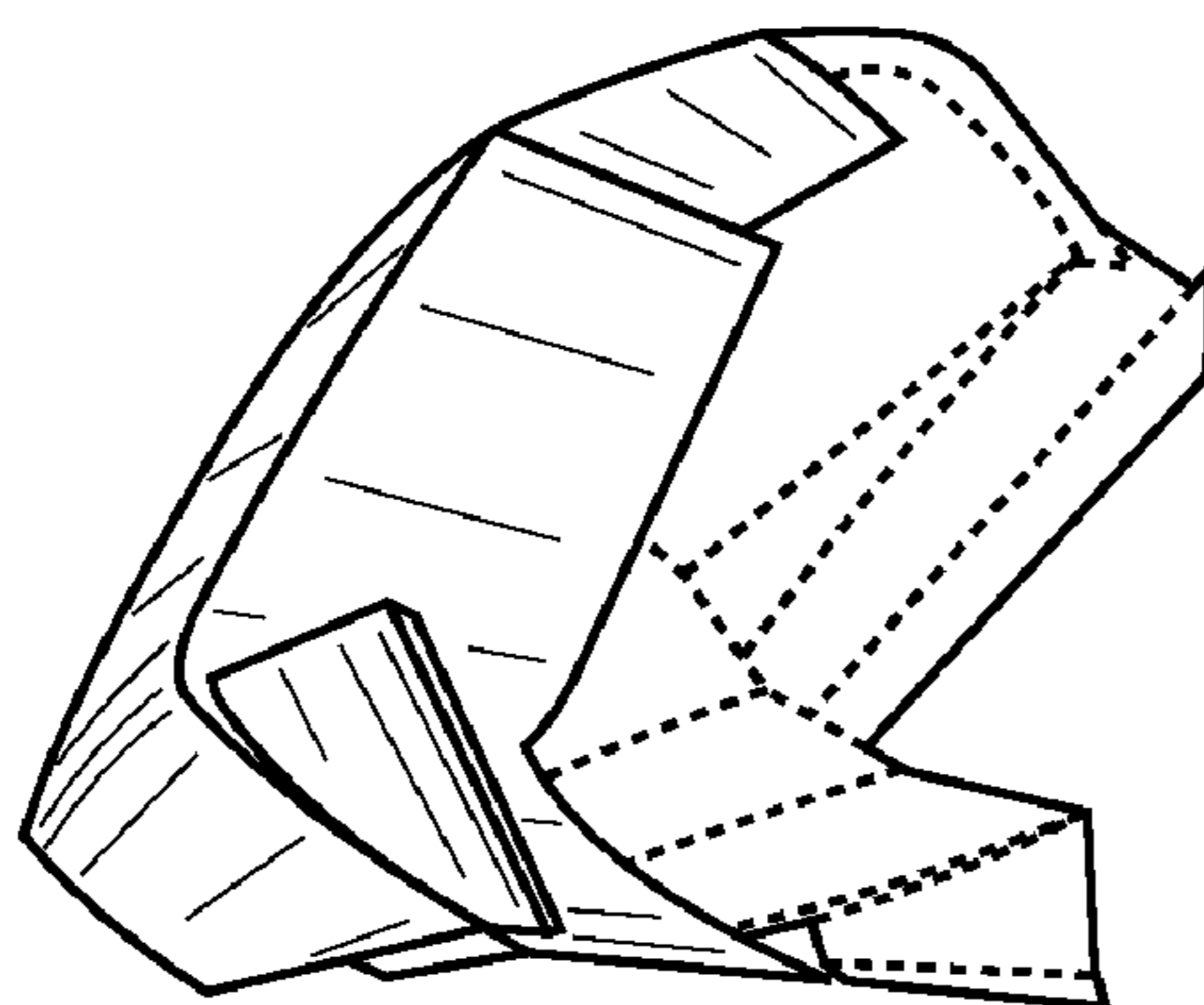


FIG. 11

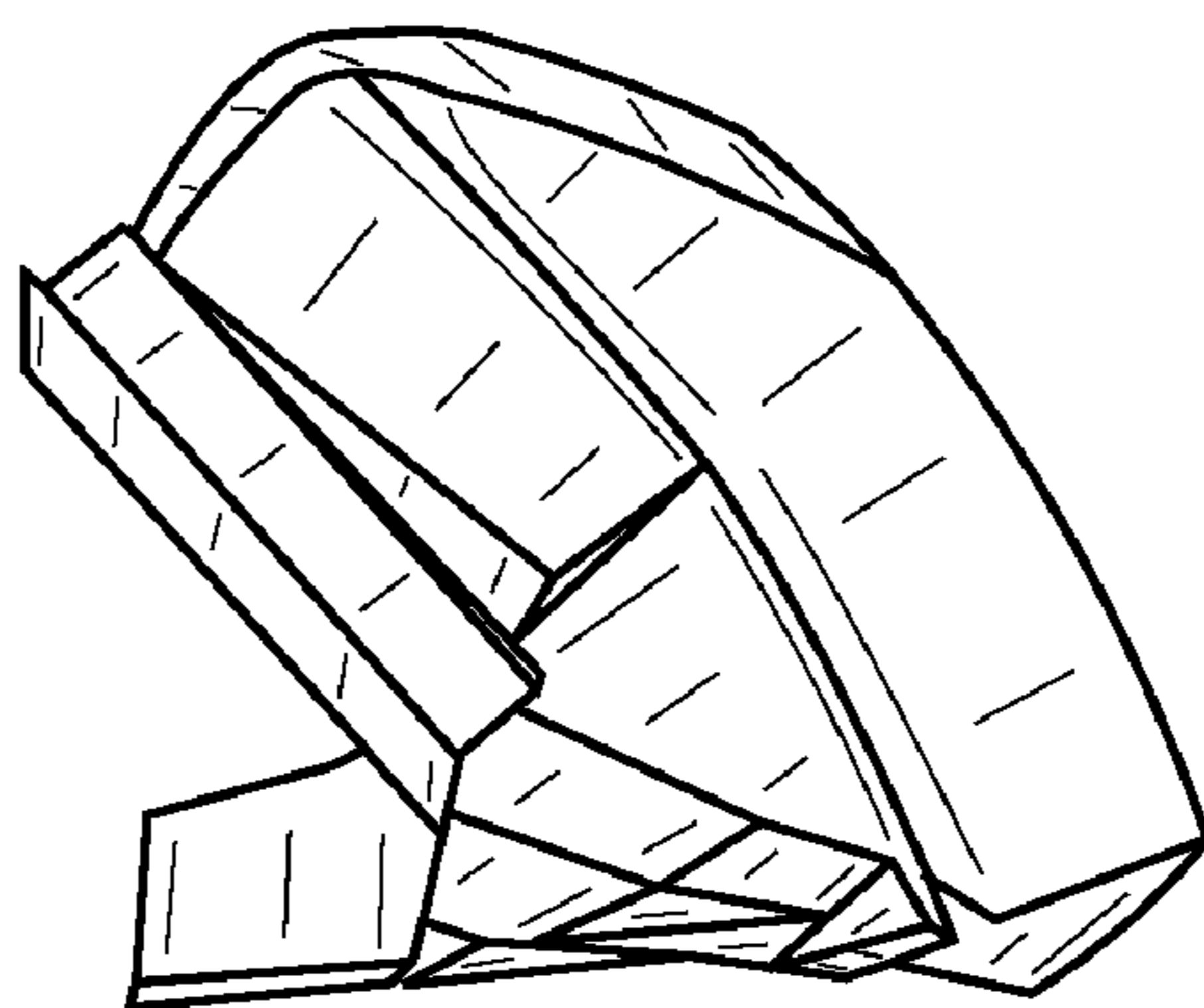


FIG. 12

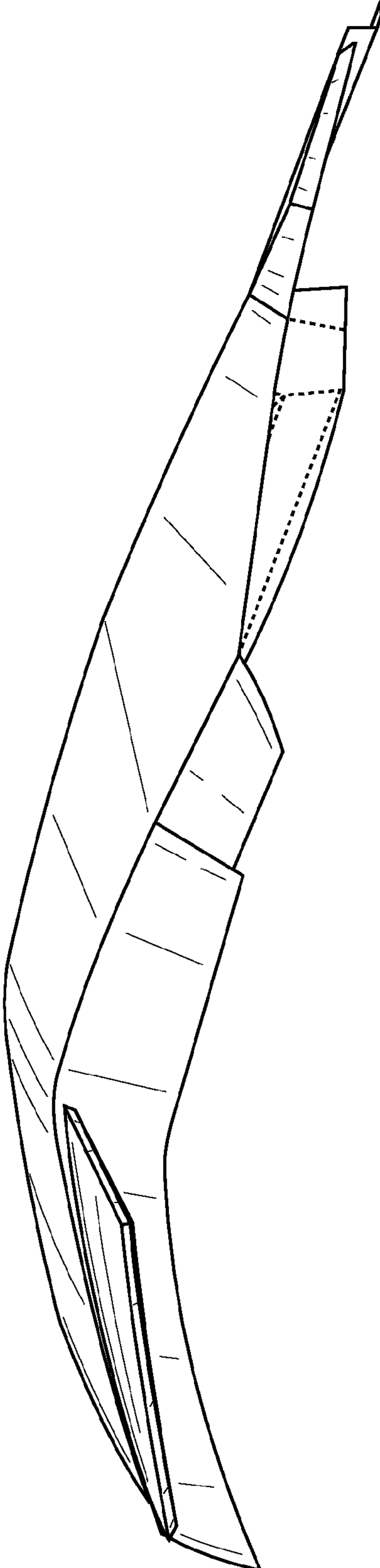


FIG. 13

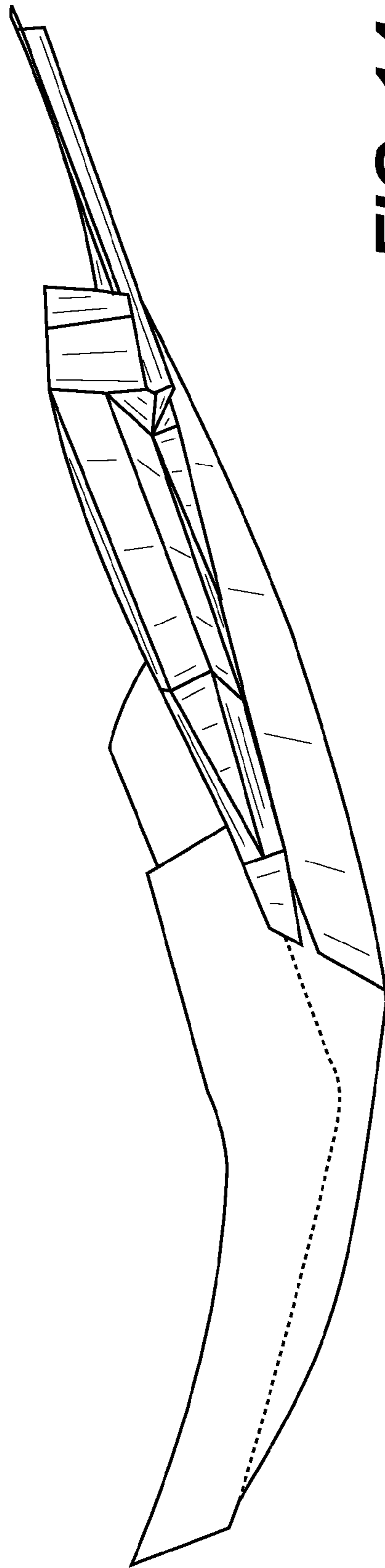


FIG. 14

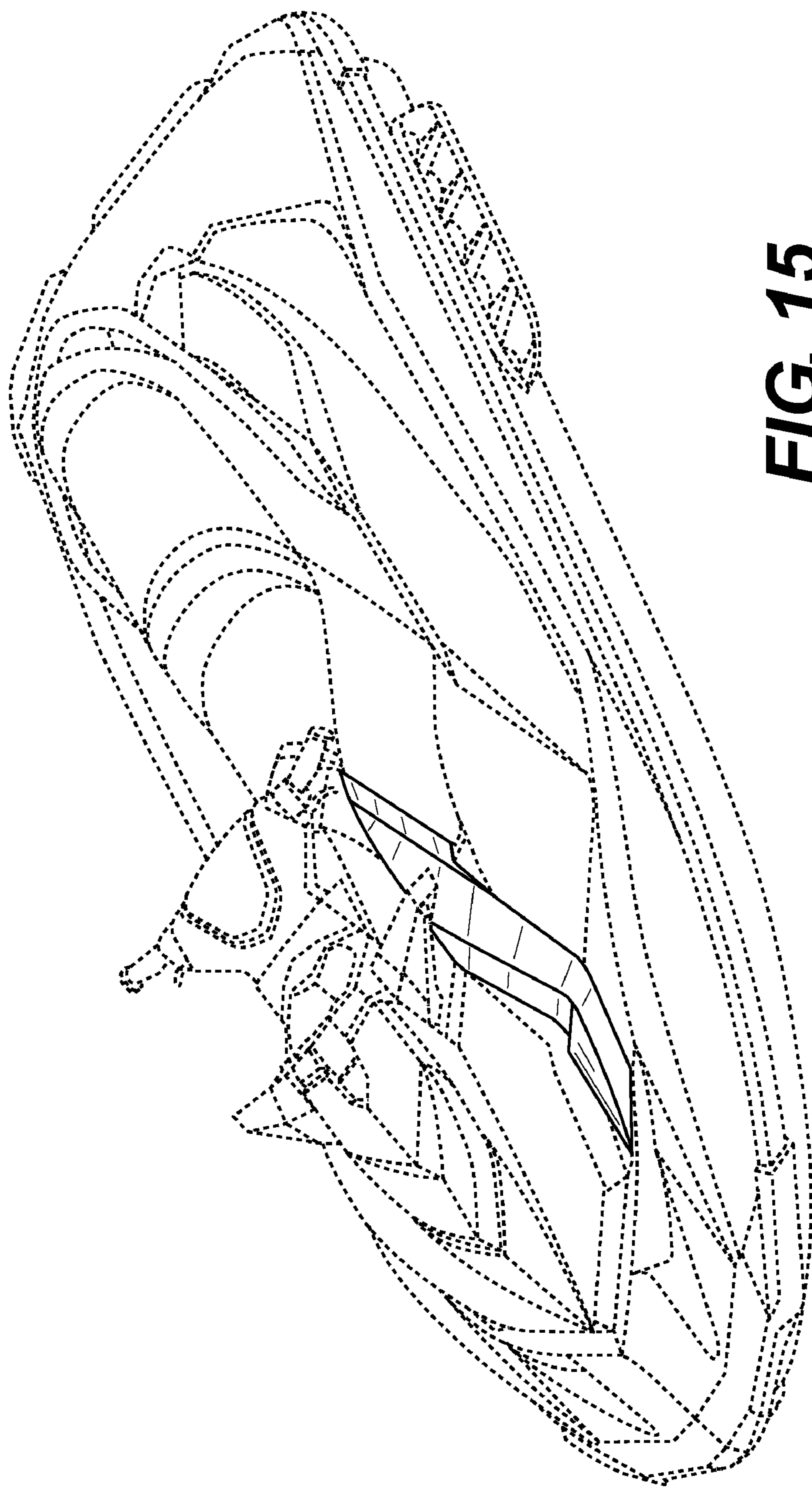


FIG. 15

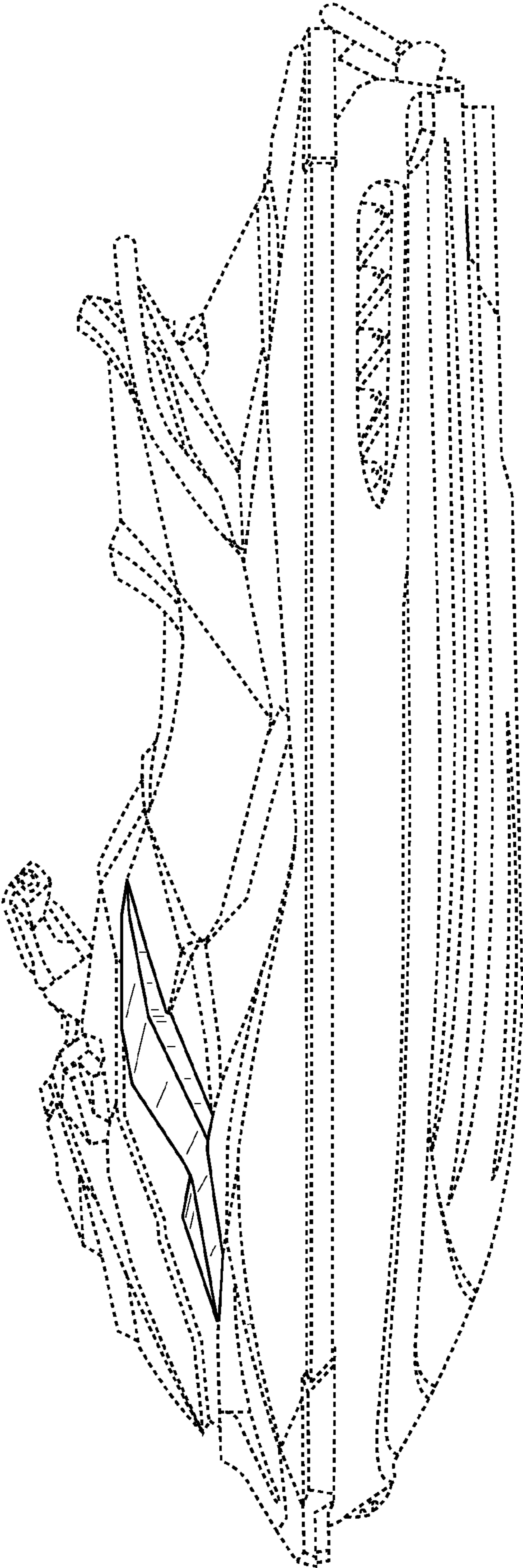


FIG. 16