

US00D636320S

(12) **United States Design Patent**  
**Lamm et al.**

(10) **Patent No.:** **US D636,320 S**

(45) **Date of Patent:** **\*\* Apr. 19, 2011**

(54) **VEHICLE WHEEL**

(75) Inventors: **Stefan Lamm**, Köln (DE); **Murat Gueler**, Köln (DE)

(73) Assignee: **Ford Motor Company**, Dearborn, MI (US)

(\*\*) Term: **14 Years**

(21) Appl. No.: **29/344,530**

(22) Filed: **Sep. 30, 2009**

(51) **LOC (9) Cl.** ..... **12-16**

(52) **U.S. Cl.** ..... **D12/211**

(58) **Field of Classification Search** ..... D12/204-213;  
301/37.101, 64.101, 65, 64.201  
See application file for complete search history.

(56) **References Cited**

**U.S. PATENT DOCUMENTS**

D401,206 S *	11/1998	Ivanova .....	D12/209
D405,409 S *	2/1999	Baumgartner .....	D12/211
D406,092 S *	2/1999	Baumgartner .....	D12/211
D438,162 S *	2/2001	Syring .....	D12/211
D438,833 S *	3/2001	Takechi .....	D12/211
D454,327 S *	3/2002	Bux .....	D12/211
D500,978 S *	1/2005	Echazabal .....	D12/209
D527,332 S *	8/2006	Khan .....	D12/211
D547,251 S *	7/2007	Baum .....	D12/209
D553,069 S *	10/2007	Ettensberger .....	D12/211

D571,704 S *	6/2008	Kahn .....	D12/211
D579,846 S *	11/2008	Chung .....	D12/209
D595,632 S *	7/2009	Hernandez .....	D12/211

**OTHER PUBLICATIONS**

Ford Focus 2.5 ST, Geneva Autoshow, Mar. 5, 2009 <http://www.facts.ford.com>.

Car Spy Photos, Mar. 26, 2009 <http://carsspyphotos.com/2011-ford-focus-3/>.

Spy Shots: Ford Verve mule spotted banging around in Australia, Jul. 4, 2009 <http://spbcars.ru/news/en/article/22761/>.

Next Generation 2011 Ford Focus Mule First Spy Photos, Aug. 28, 2009 <http://www.worldcarfans.com/109082821357/next-generation-2011-ford-focus-mule-first-spy-photos>.

\* cited by examiner

*Primary Examiner* — Stacia Cadmus

(74) *Attorney, Agent, or Firm* — Damian Porcari

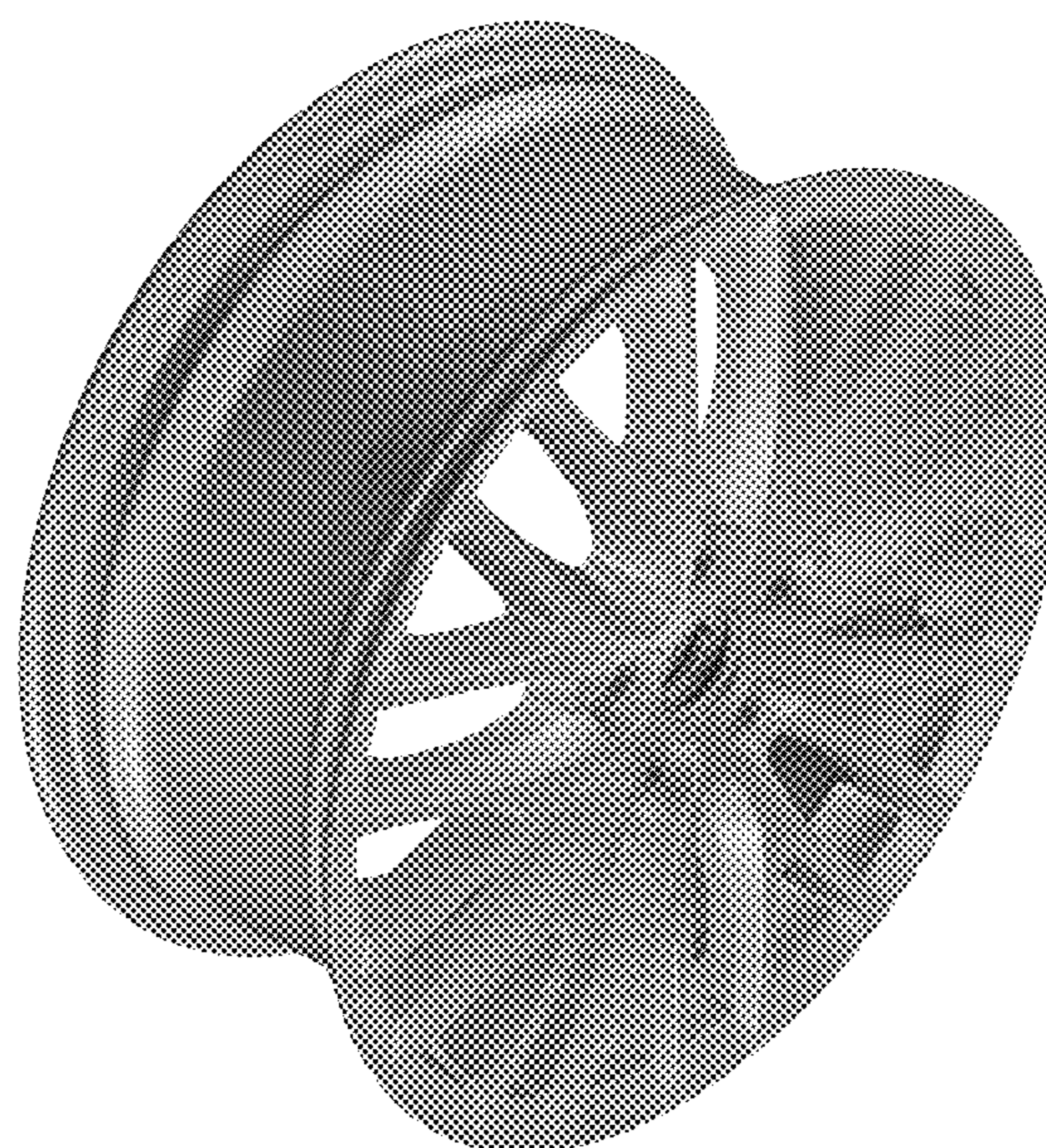
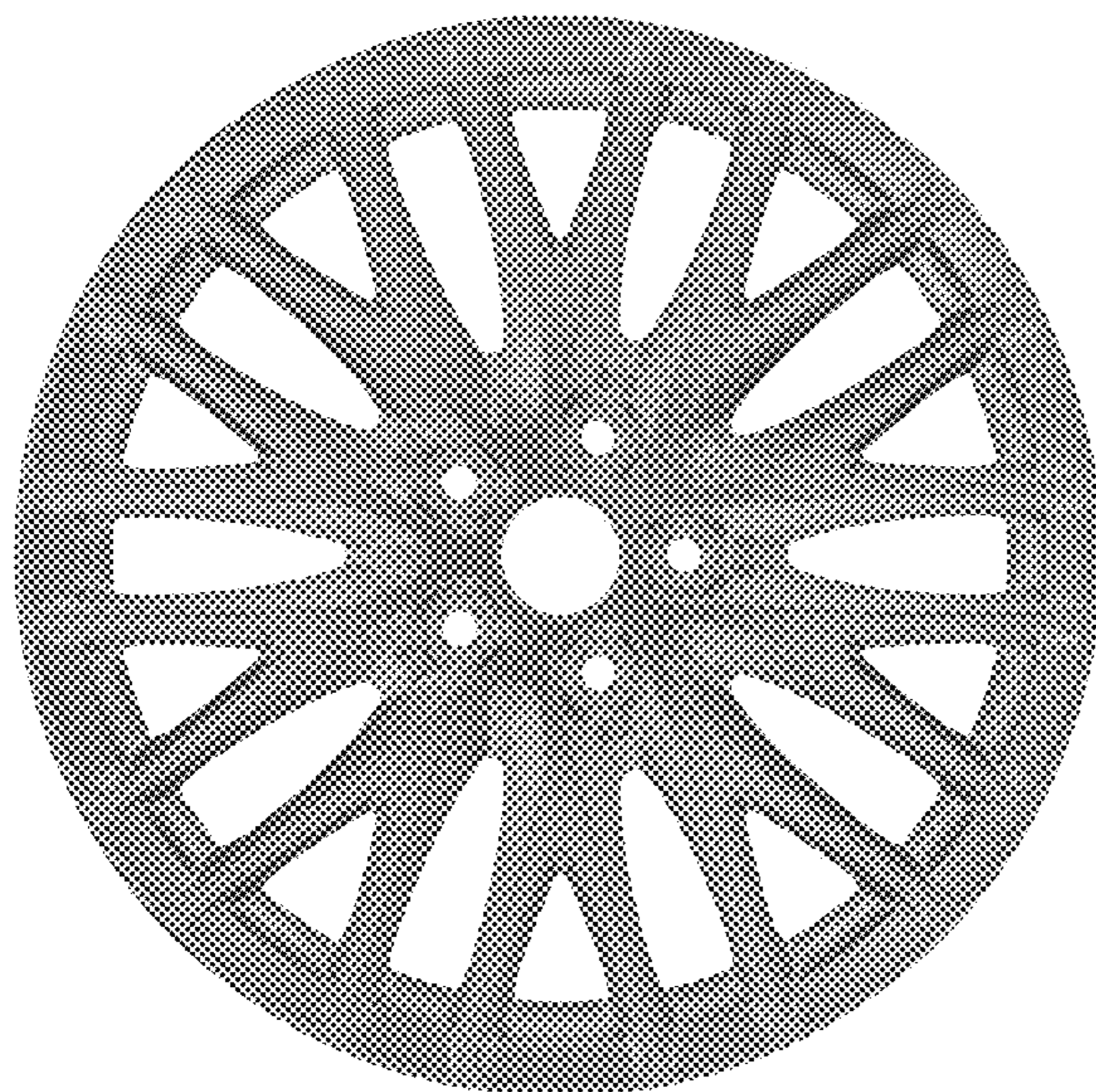
(57) **CLAIM**

The ornamental design for a vehicle wheel, as shown and described.

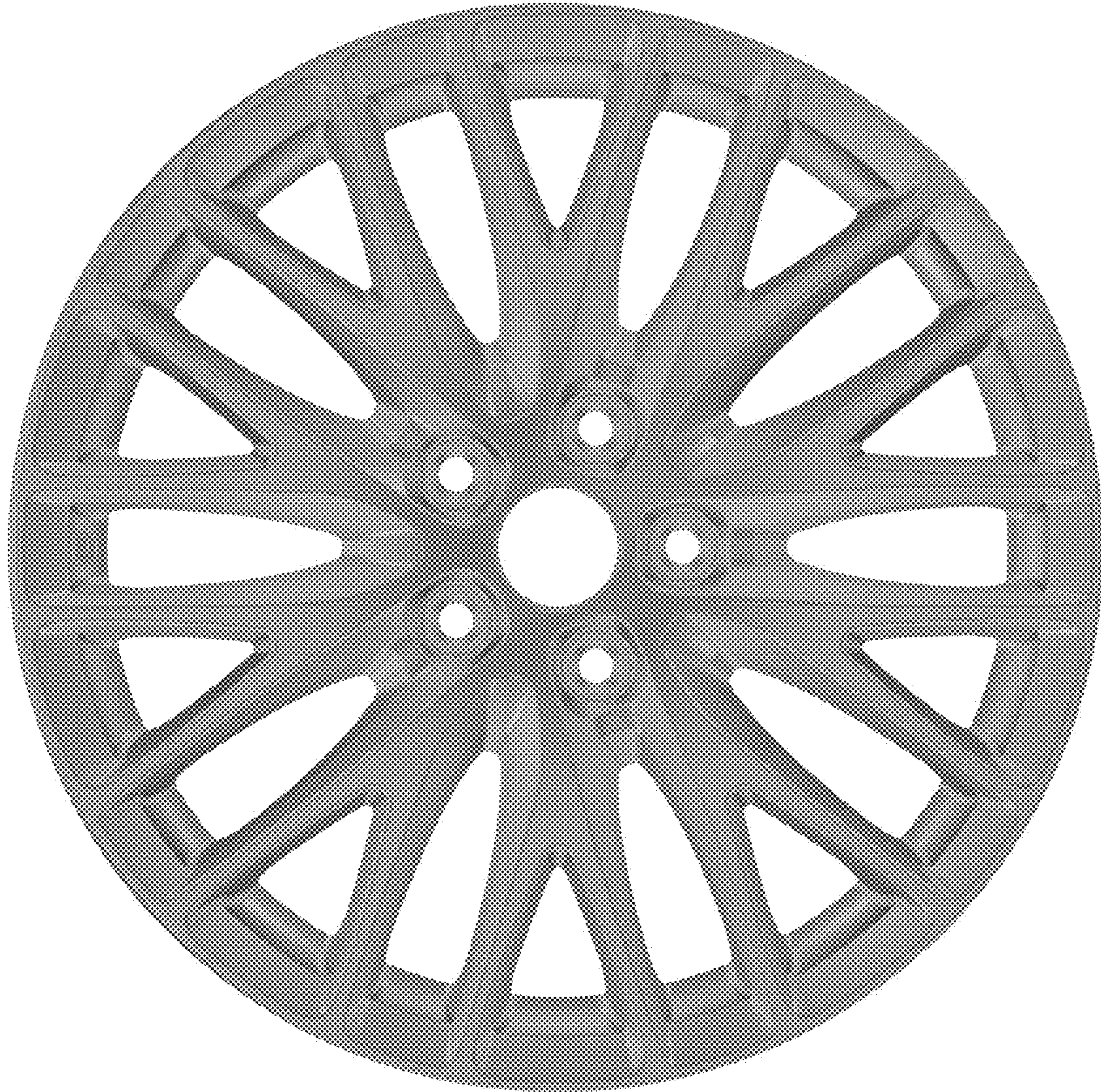
**DESCRIPTION**

FIG. 1 is a front view of a vehicle wheel; and, FIG. 2 is a perspective view of the vehicle wheel.

**1 Claim, 2 Drawing Sheets**







*Figure 1*





*Figure 2*