



US00D636319S

(12) **United States Design Patent**
Toth

(10) **Patent No.:** **US D636,319 S**

(45) **Date of Patent:** **** Apr. 19, 2011**

(54) **FRONT FACE OF A VEHICLE WHEEL**

(75) Inventor: **Benedek Toth**, Laguna Hills, CA (US)

(73) Assignee: **Daimler AG**, Stuttgart (DE)

(**) Term: **14 Years**

(21) Appl. No.: **29/300,662**

(22) Filed: **Apr. 23, 2008**

(30) **Foreign Application Priority Data**

Oct. 24, 2007 (EM) 000813977-0014

(51) **LOC (9) Cl.** **12-16**

(52) **U.S. Cl.** **D12/211**

(58) **Field of Classification Search** D12/204-213;
301/37.101, 64.101, 65, 64.201

See application file for complete search history.

(56) **References Cited**

U.S. PATENT DOCUMENTS

- D466,067 S * 11/2002 Muzzarelli D12/211
- D516,490 S * 3/2006 Baer D12/211
- D525,577 S * 7/2006 Laengerer D12/211
- D526,268 S * 8/2006 Pfeiffer D12/211

- D554,034 S * 10/2007 Madden D12/209
- D589,425 S * 3/2009 Theiss D12/209
- D599,267 S * 9/2009 Morgenstern et al. D12/211
- D615,916 S * 5/2010 Leone D12/211
- D620,421 S * 7/2010 Lamm et al. D12/209
- D620,872 S * 8/2010 Juergens et al. D12/211
- D627,698 S * 11/2010 Zhang D12/209

* cited by examiner

Primary Examiner — Stacia Cadmus

(74) *Attorney, Agent, or Firm* — Crowell & Moring LLP

(57) **CLAIM**

The ornamental design for a front face of a vehicle wheel, as shown and described.

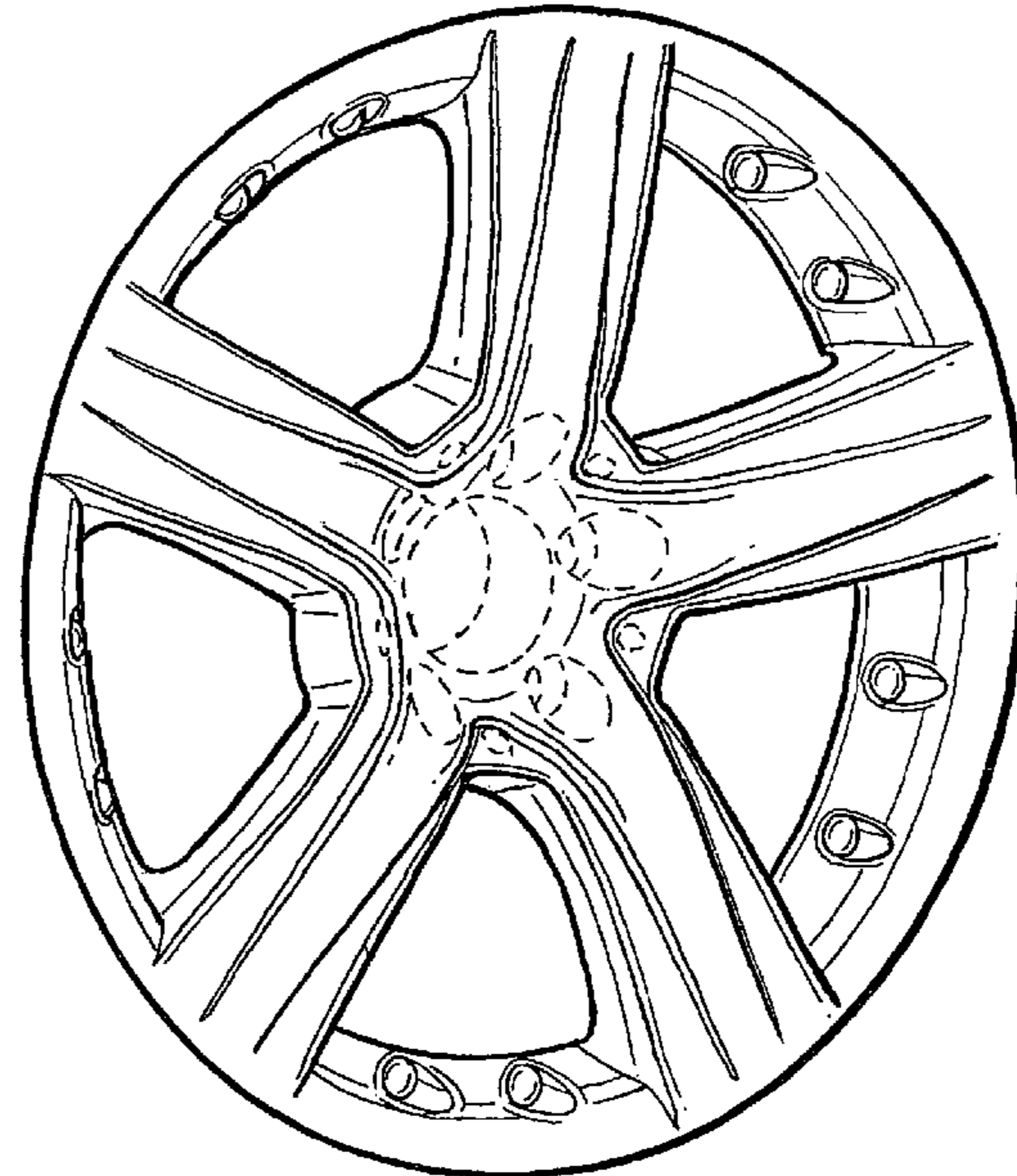
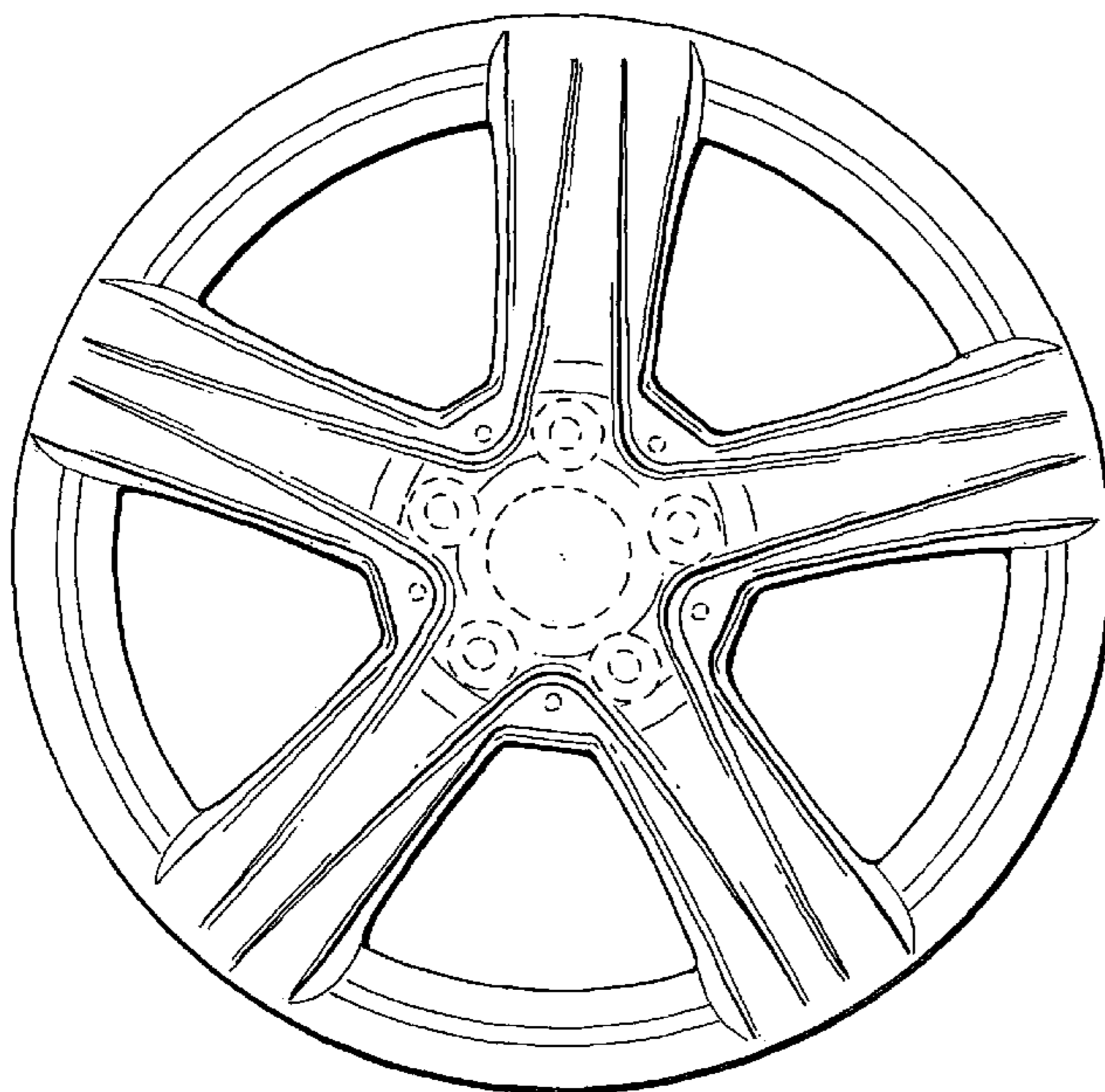
DESCRIPTION

FIG. 1 is a front view of a first embodiment of a front face of a vehicle wheel according to my novel design; and FIG. 2 is a perspective view thereof.

FIG. 3 is a front view of a second embodiment of the front face of a vehicle wheel according to my novel design; and, FIG. 4 is a perspective view thereof.

The broken line showing of the bolt holes and center hole in the central hub area is included for the purpose of illustrating environment and forms no part of the claimed design.

1 Claim, 2 Drawing Sheets



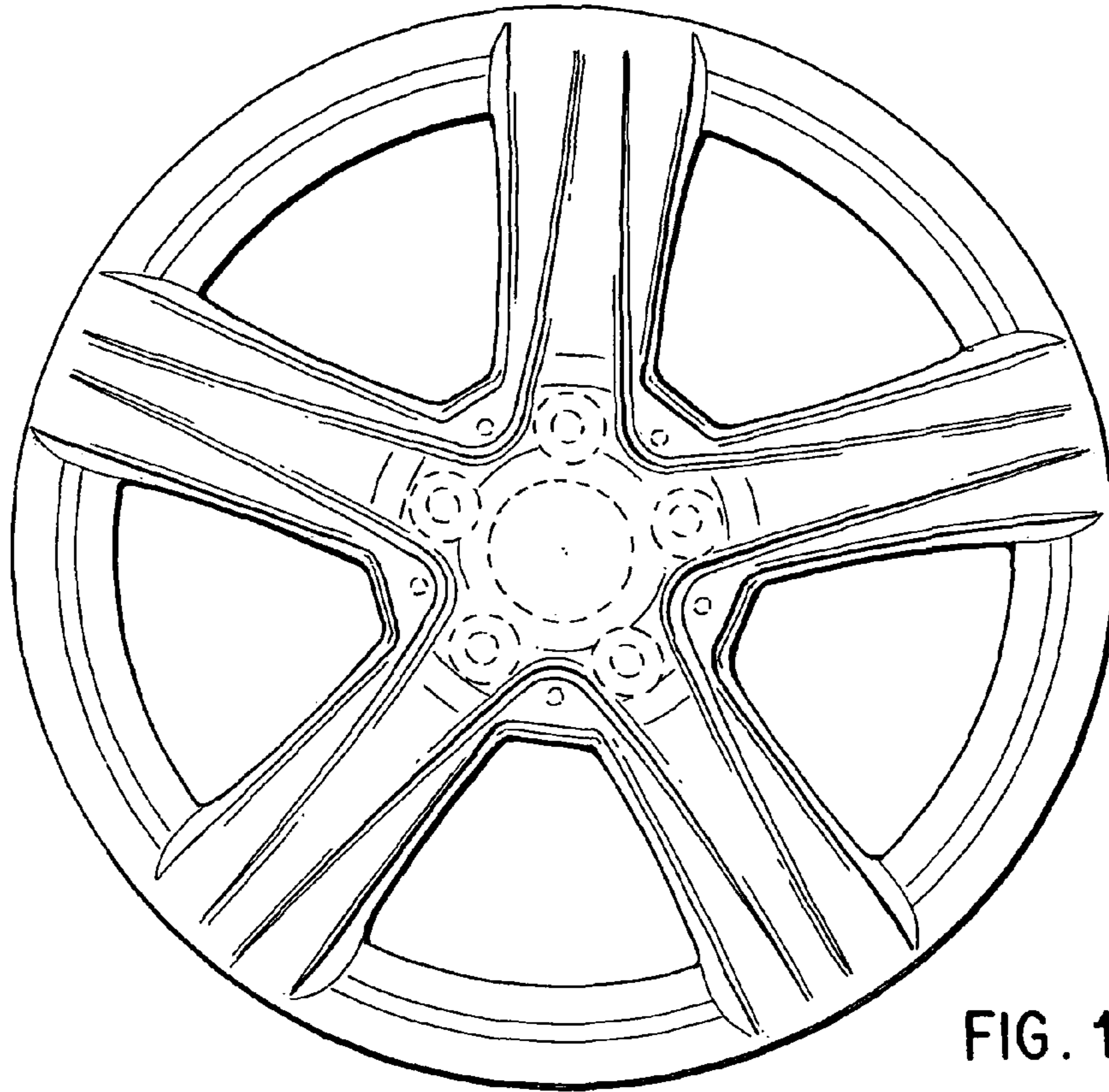


FIG. 1

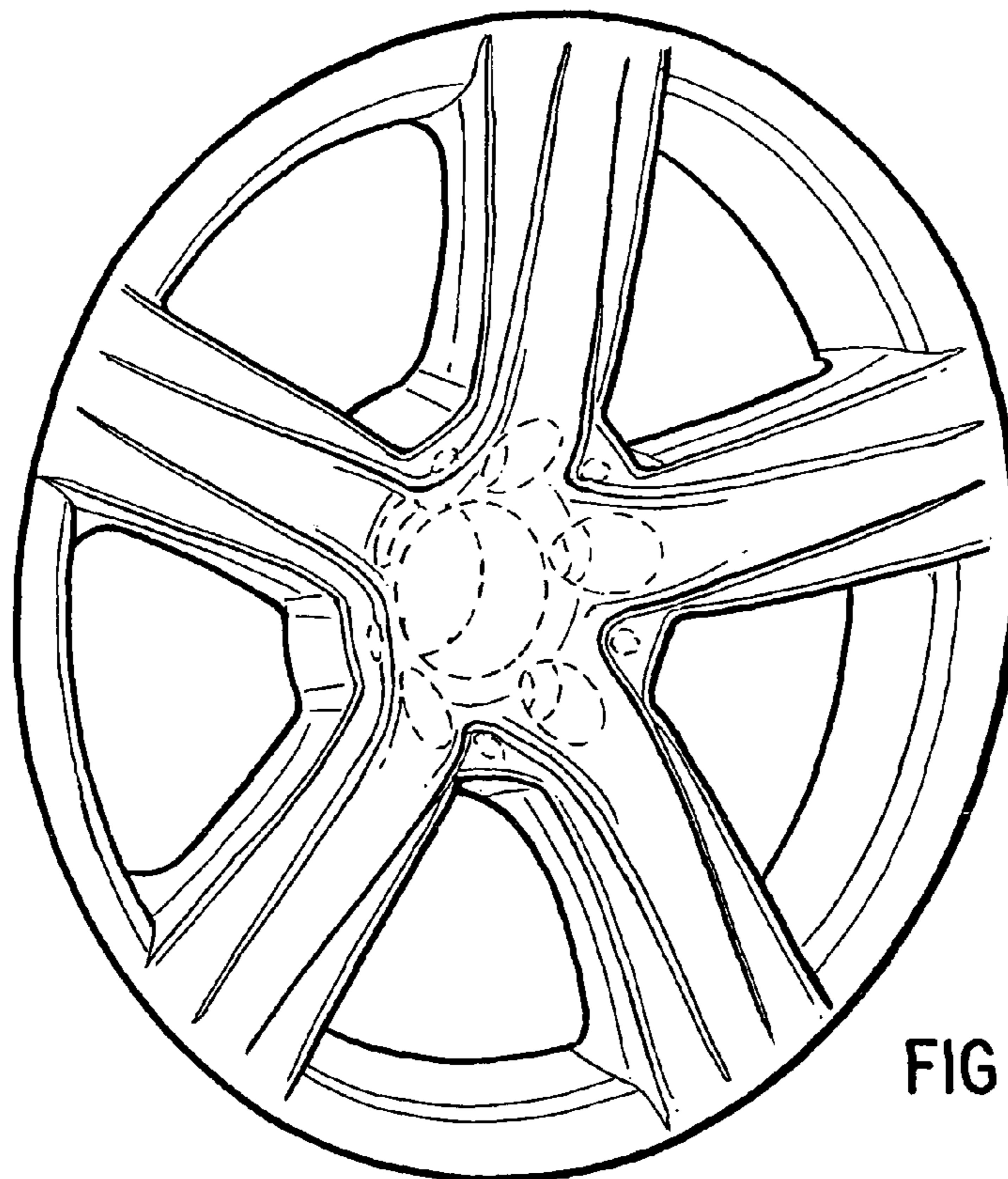


FIG. 2

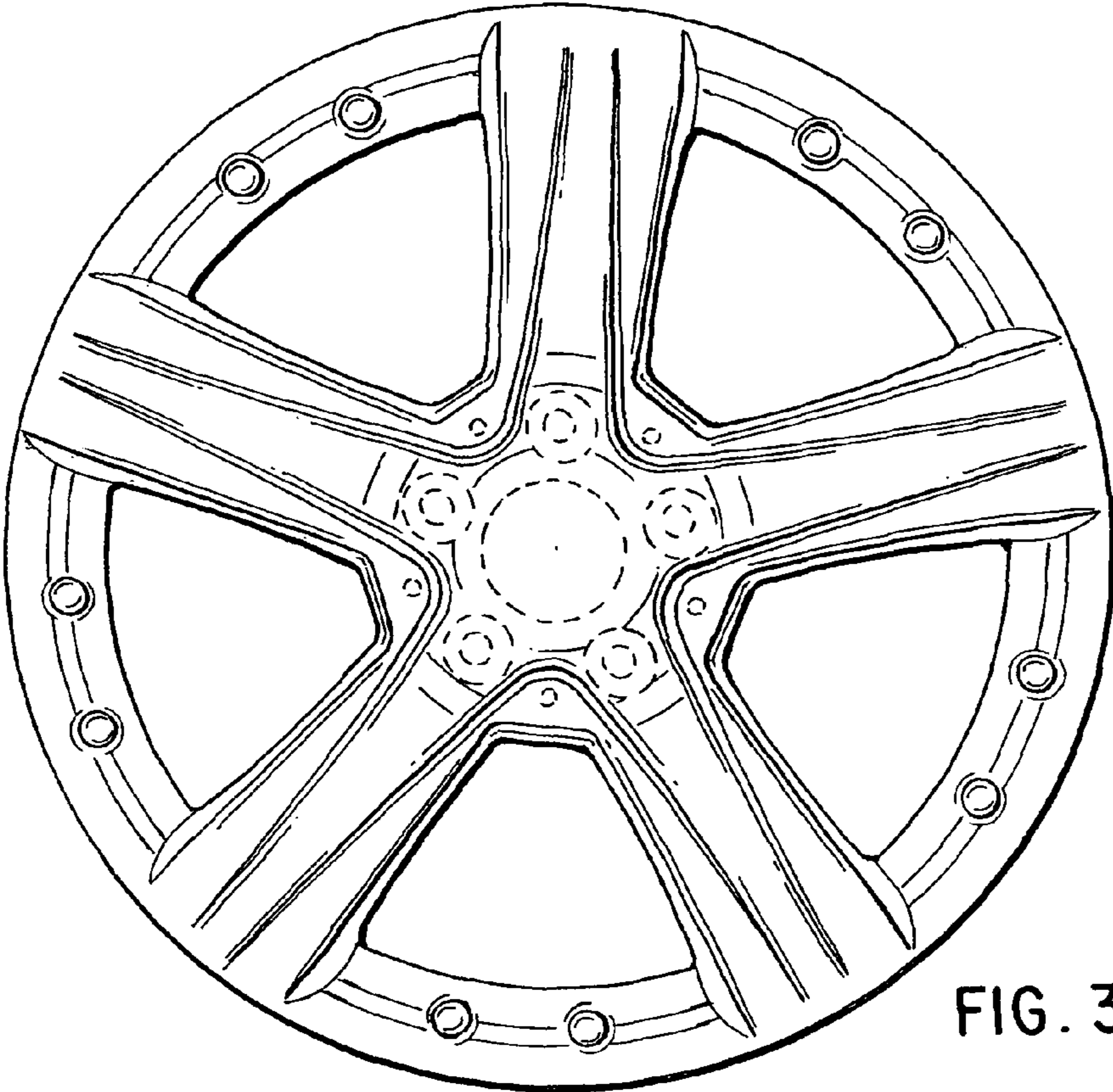


FIG. 3

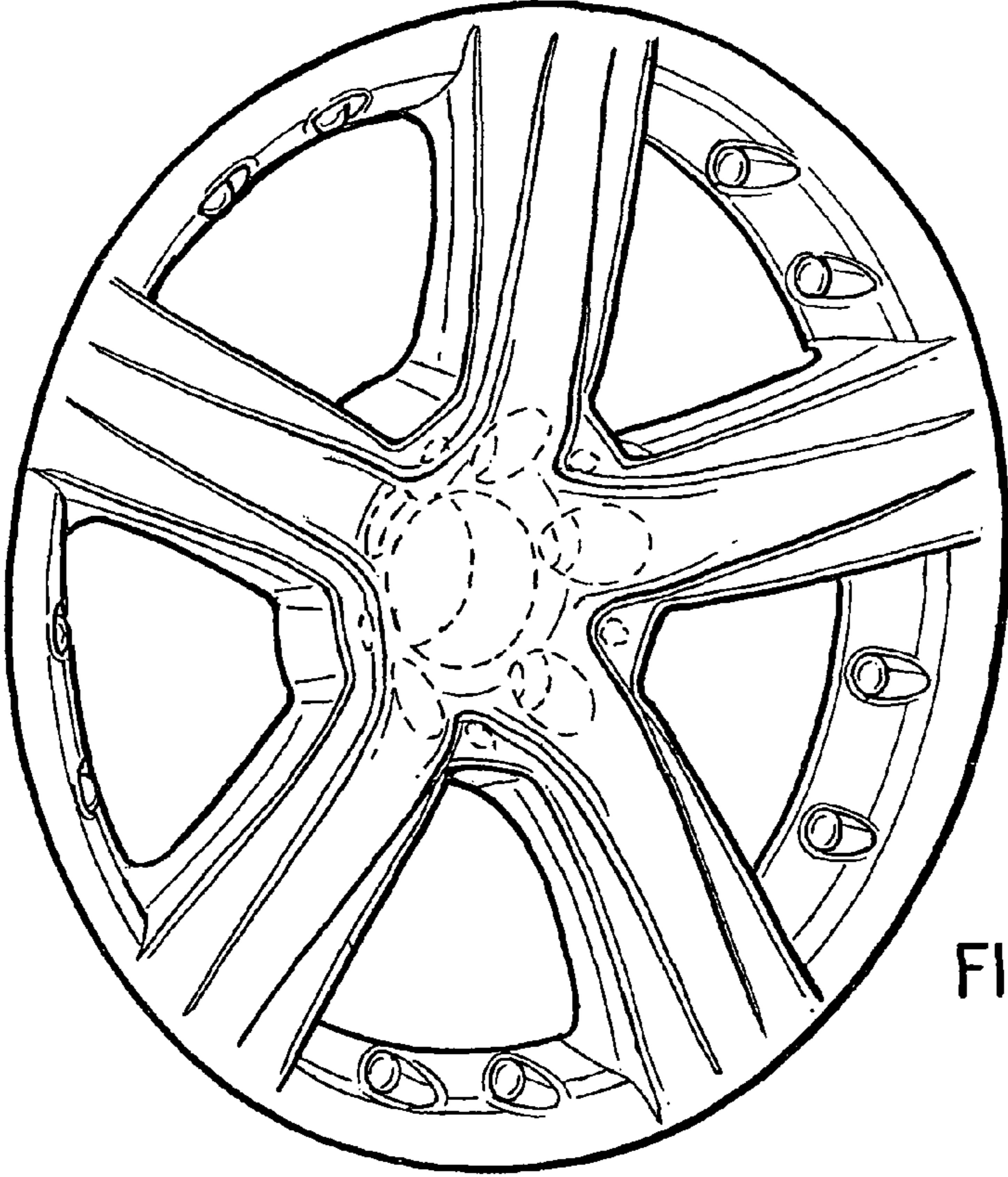


FIG. 4