



US00D636315S

(12) **United States Design Patent**  
**Lemon**

(10) **Patent No.:** **US D636,315 S**  
(45) **Date of Patent:** **\*\* Apr. 19, 2011**

(54) **EXHAUST PIPE SET FOR A MINI VAN**

D558,111 S 12/2007 Banks, III ..... D12/194  
D559,753 S 1/2008 Pfeiffer ..... D12/194  
D573,521 S 7/2008 Hsu ..... D12/194

(76) Inventor: **Shawna Cannon Lemon**, Morrisville,  
NC (US)

(Continued)

(\*\*) Term: **14 Years**

**FOREIGN PATENT DOCUMENTS**

(21) Appl. No.: **29/349,853**

EP 271465 A2 \* 6/1988

(Continued)

(22) Filed: **May 10, 2010**

**OTHER PUBLICATIONS**

**Related U.S. Application Data**

09 Honda Odyssey brochure, American Honda Motor Co., Inc. (USA 2008).

(Continued)

(62) Division of application No. 29/312,543, filed on Oct. 29, 2008, now Pat. No. Des. 619,067.

(51) **LOC (9) Cl.** ..... **12-16**

(52) **U.S. Cl.** ..... **D12/194**

(58) **Field of Classification Search** ..... D12/194;  
138/37-39, 44, 103, 109; 180/89.2, 296,  
180/309; 181/227, 228, 239-241, 247-249,  
181/264, 282; 29/890.08; D15/5; 60/303,  
60/313, 323; 293/113

*Primary Examiner* — T. Chase Nelson  
*Assistant Examiner* — Michael A Pratt

See application file for complete search history.

(57) **CLAIM**

The ornamental design for an exhaust pipe set for a mini van, substantially as shown and described.

**DESCRIPTION**

(56) **References Cited**

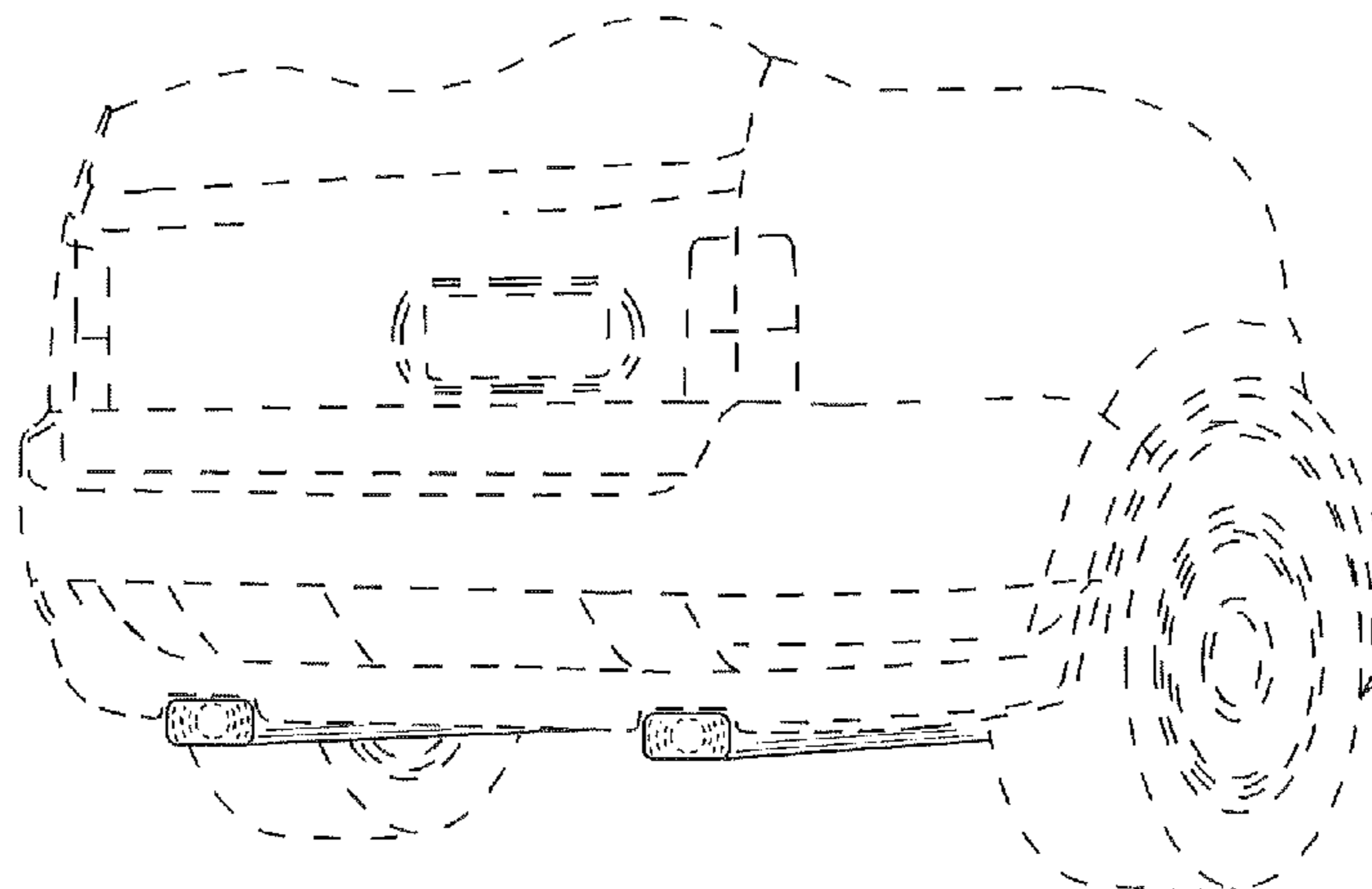
**U.S. PATENT DOCUMENTS**

2,909,235	A *	10/1959	BeraneK	.....	181/252
3,561,562	A *	2/1971	Ignoffo	.....	181/247
4,478,310	A	10/1984	Harter	.....	181/241
5,108,333	A	4/1992	Heider et al.	.....	445/26
5,198,625	A	3/1993	Borla	.....	181/248
5,200,582	A	4/1993	Kraai et al.	.....	181/256
D435,815	S	1/2001	Larson	.....	D12/169
6,196,351	B1	3/2001	Clokey et al.	.....	181/252
D465,444	S *	11/2002	Witham	.....	D12/194
D467,209	S	12/2002	Burns	.....	D12/194
D488,114	S	4/2004	Kulla	.....	D12/194
D488,755	S	4/2004	Kulla	.....	D12/194
7,007,720	B1	3/2006	Chase et al.	.....	138/110
D534,469	S	1/2007	Murkett	.....	D12/194
D534,848	S	1/2007	Murkett	.....	D12/194
D539,715	S	4/2007	Lai	.....	D12/194
D540,231	S	4/2007	Braun et al.	.....	D12/194
7,243,757	B2	7/2007	Stuber	.....	181/270
D553,062	S	10/2007	Murkett	.....	D12/194

FIG. 1 is a partial perspective view of the present design showing an exhaust pipe set for a mini van;  
FIG. 2 is a rear view thereof;  
FIG. 3 is a side view thereof, the opposite side being a mirror image thereof; and  
FIG. 4 is a partial perspective view of another embodiment of the present design showing an exhaust pipe set for a mini van;  
FIG. 5 is a rear view thereof;  
FIG. 6 is a side view thereof, the opposite side being a mirror image thereof; and,  
FIG. 7 is a top view of embodiments corresponding to FIGS. 1 and 4.

The bottom view is disclaimed herein. The broken lines shown herein (portions of the design shown in broken/dashed lines) are for the purpose of illustrating environment and form no part of the claimed design.

**1 Claim, 4 Drawing Sheets**



# US D636,315 S

Page 2

## U.S. PATENT DOCUMENTS

D578,050	S	10/2008	Hsu .....	D12/194
D579,392	S	10/2008	Saracoglu .....	D12/194
2004/0050618	A1	3/2004	Marocco .....	181/248
2005/0161283	A1	7/2005	Emler .....	181/249
2009/0127025	A1	5/2009	Rimback .....	181/282

## FOREIGN PATENT DOCUMENTS

JP	59183018	A	10/1984
JP	61040409	A	2/1986

## OTHER PUBLICATIONS

2009 SUVs Mercedes-Benz brochure, Mercedes Benz USA, LLC (Montvale, NJ 2008).

2009 Routan Das Auto brochure, Volkswagen of America (USA 2008).

Sienna 09 brochure, Toyota Motor Sales (USA 2008).

2008 Chrysler Town & Country brochure (USA 2007).

08 Dodge Grand Caravan brochure (USA 2008).

08 Honda Odyssey brochure, American Honda Motor Co., Inc. (USA 2007).

2008 Hyundai Entourage brochure (USA 2007).

08.Sedona brochure.

Mercedes-Benz SUVs 2008 brochure, Mercedes Benz USA, LLC (Montvale, NJ 2007).

2008 Nissan Quest brochure (USA).

Paul Hochman, *Pimp out your family minivan with accessories*, MSNBC.com (Sep. 27, 2006).

<http://www.grounddynamics.com> (95-98 Honda Odyssey Body Kits) (viewed Apr. 28, 2009).

<http://www.grounddynamics.com> (99-03 Honda Odyssey Body Kits) (viewed Apr. 28, 2009).

\* cited by examiner

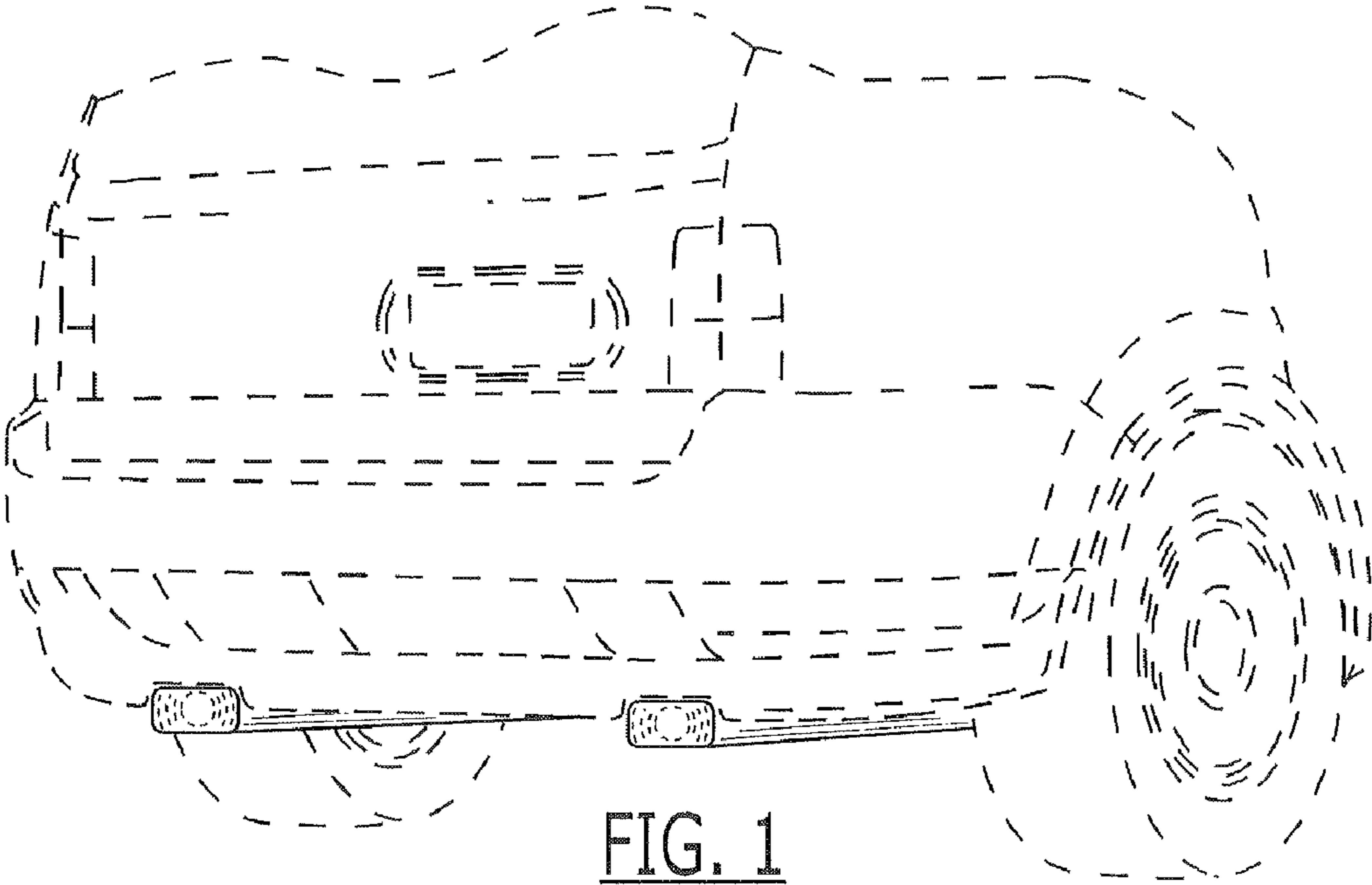


FIG. 1

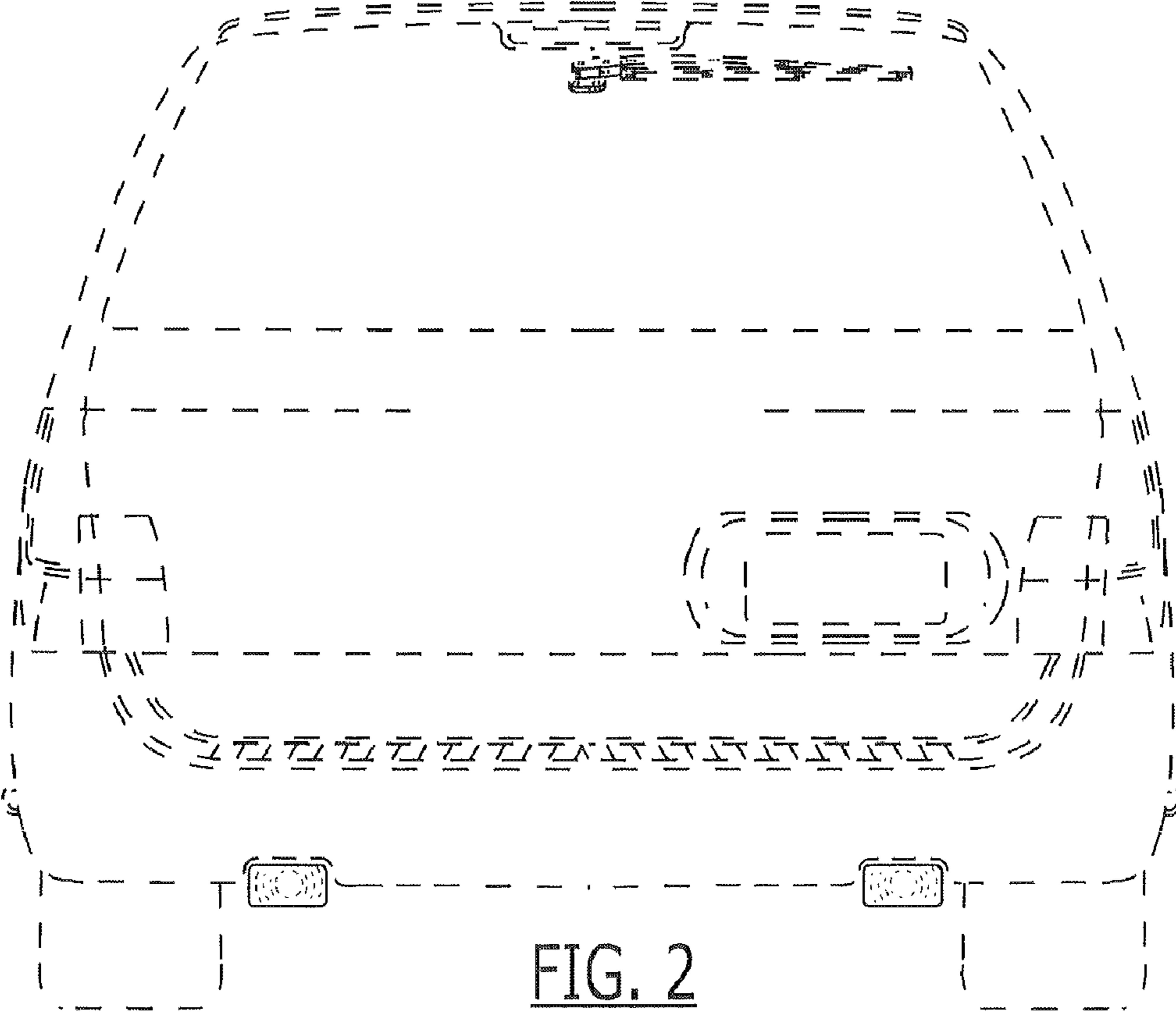


FIG. 2

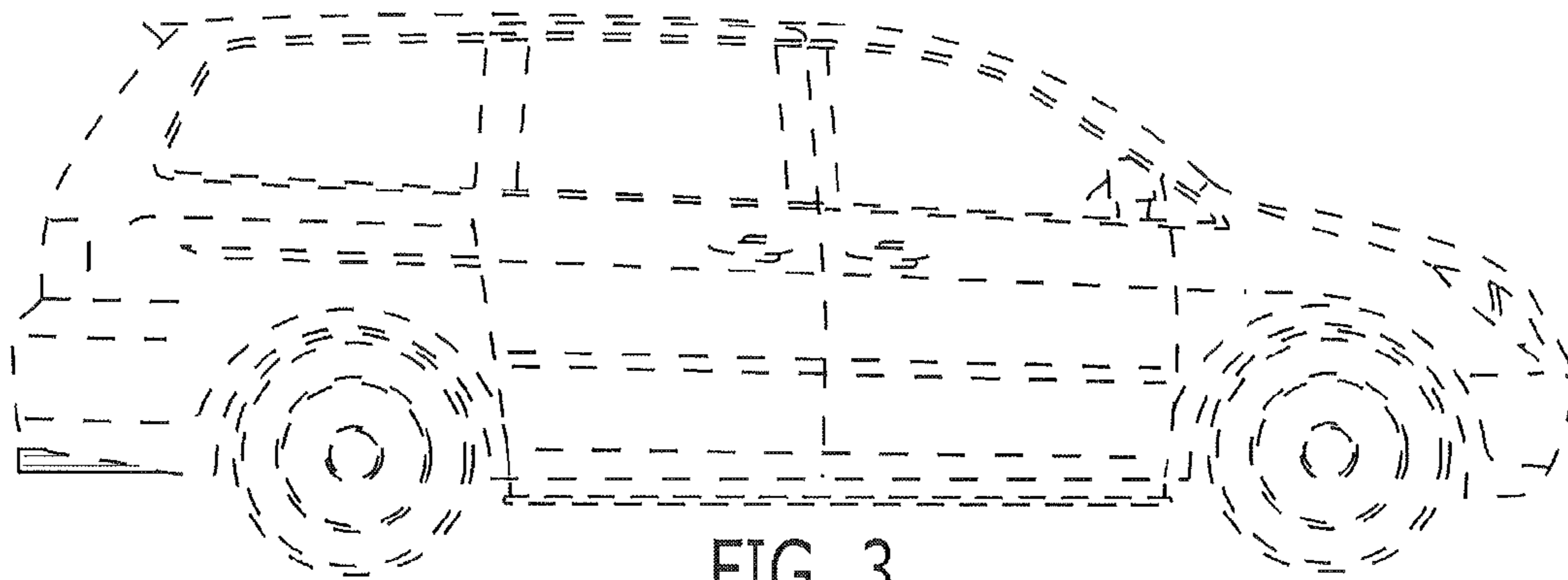


FIG. 3

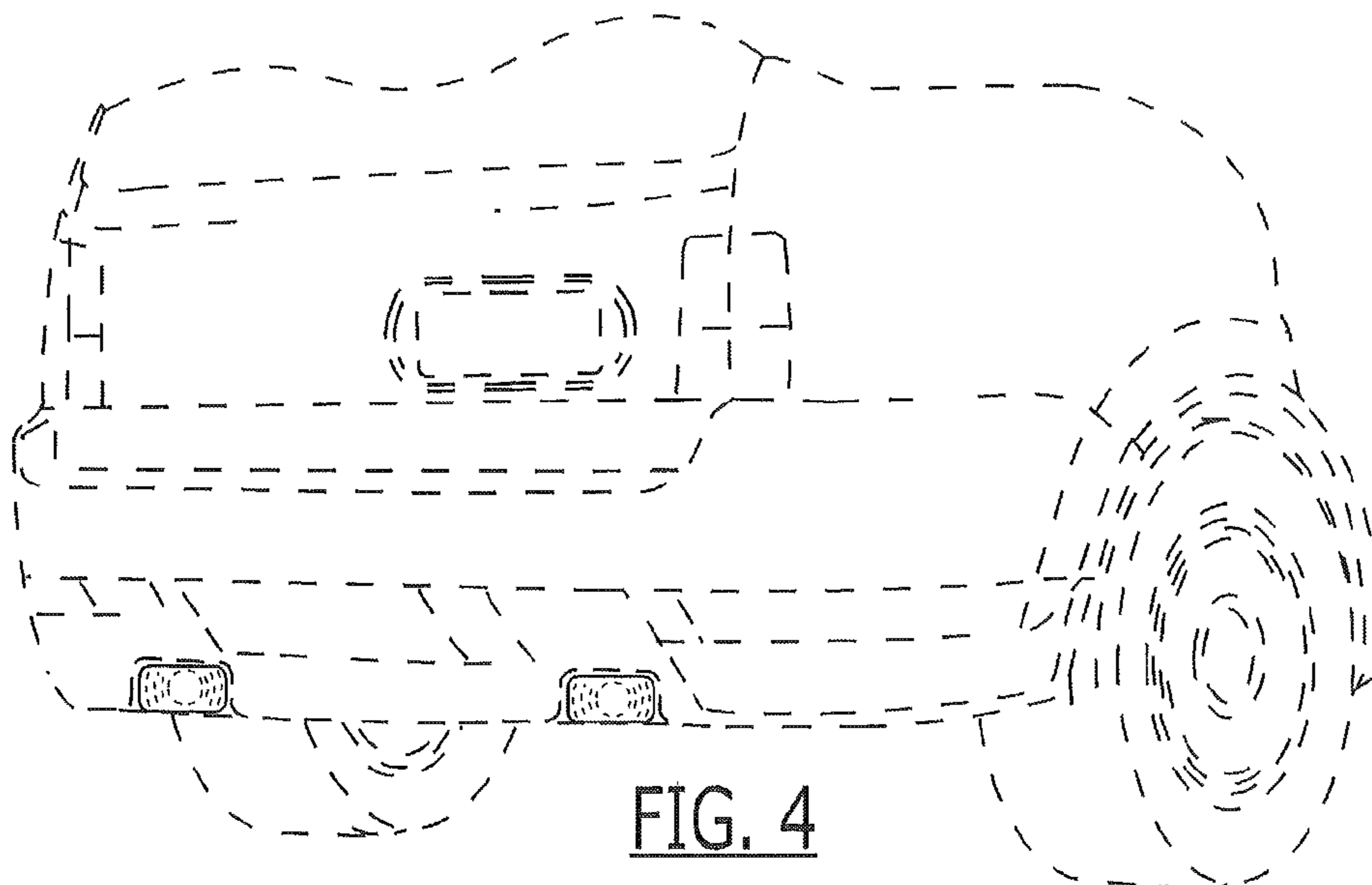


FIG. 4

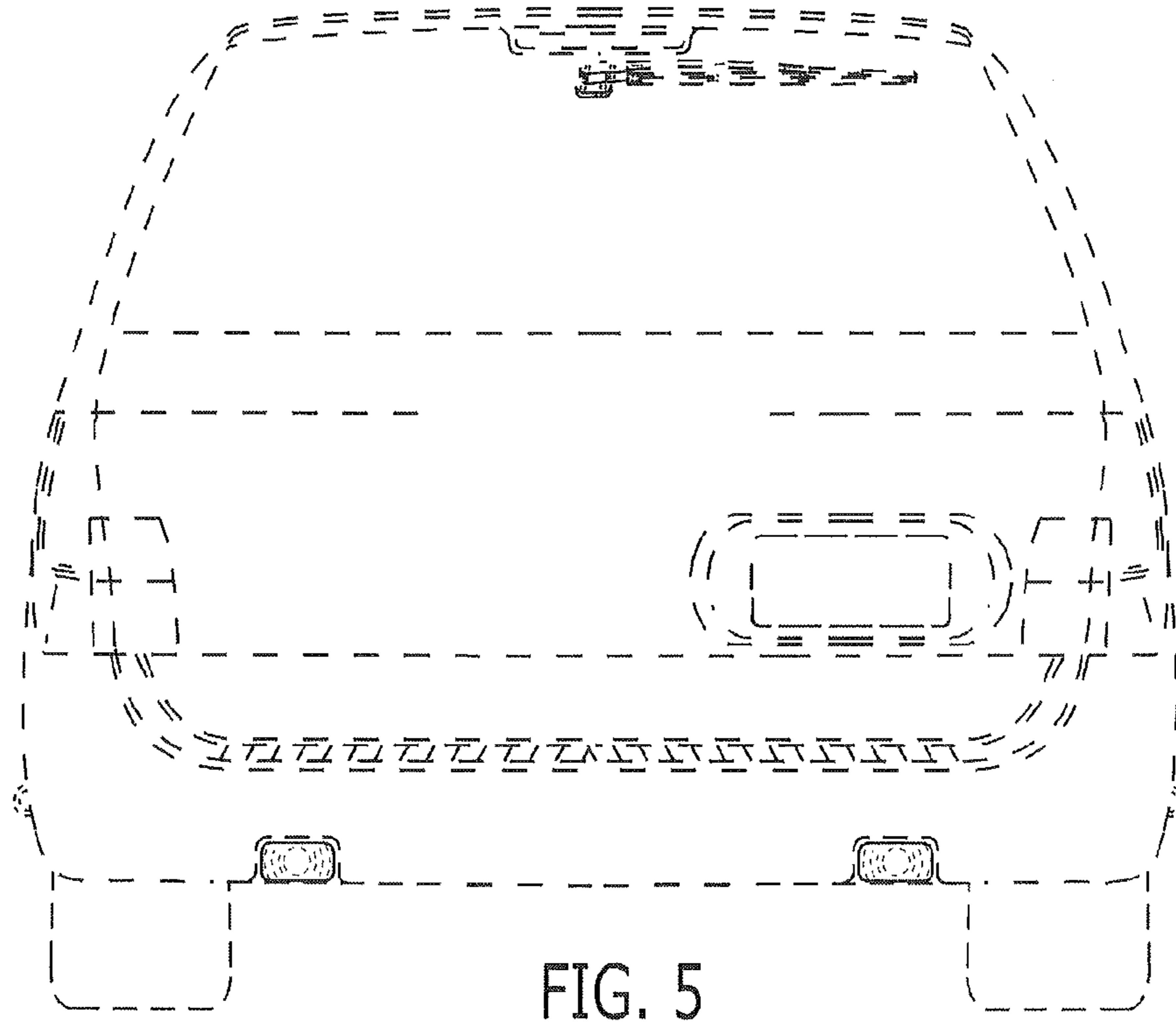


FIG. 5

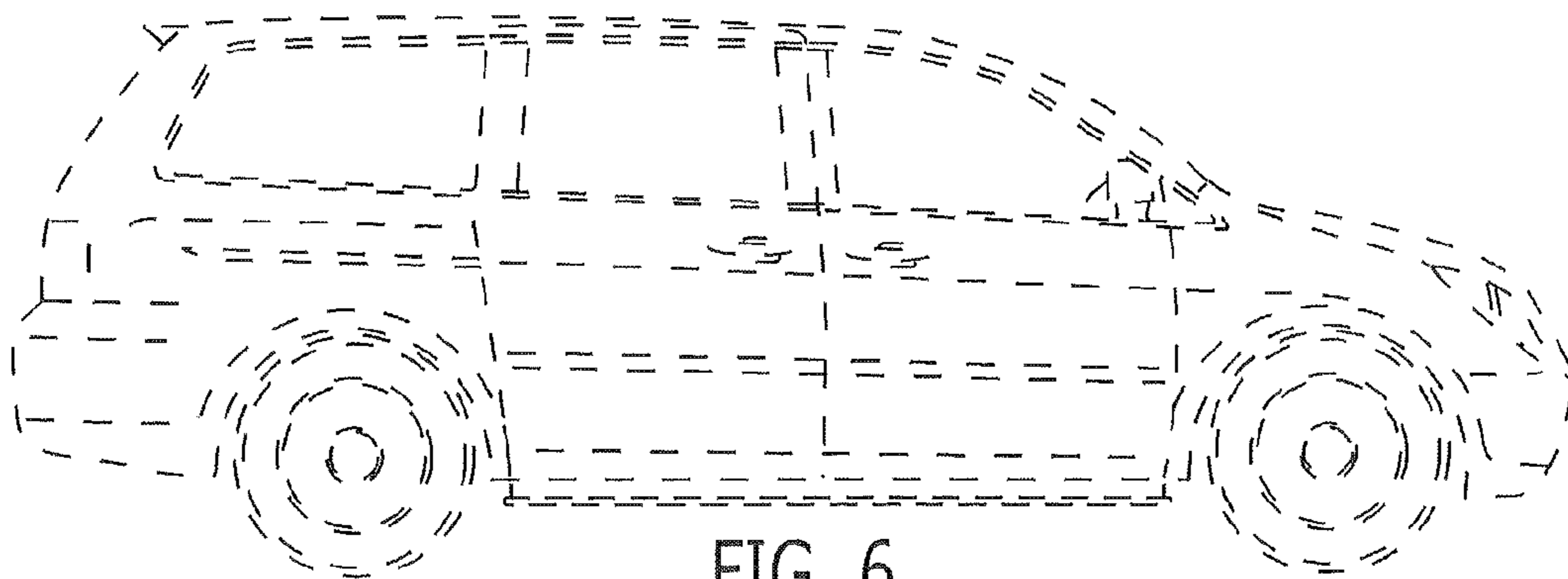


FIG. 6

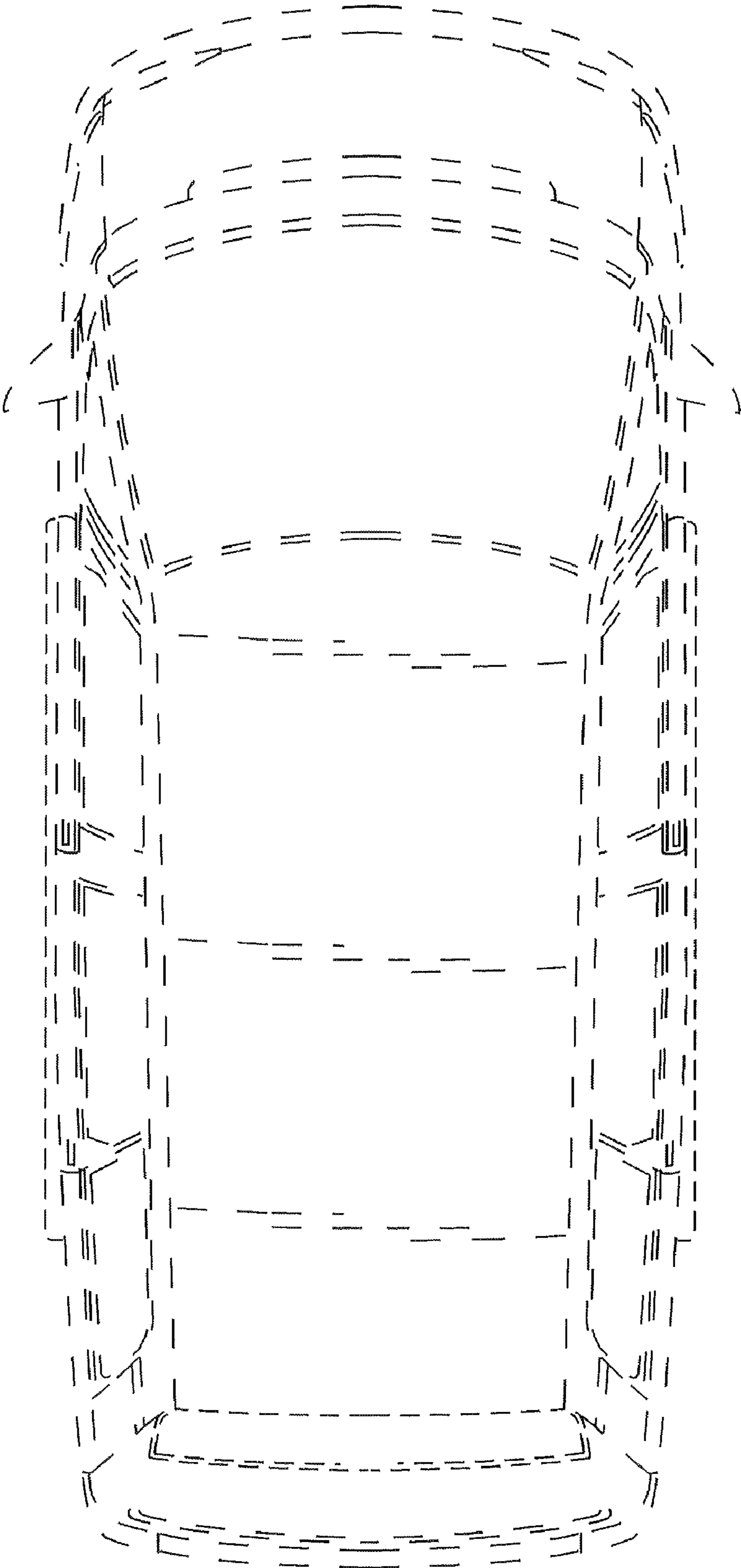


FIG. 7