



US00D636311S

(12) **United States Design Patent**
Faghihzadeh

(10) **Patent No.:** **US D636,311 S**

(45) **Date of Patent:** **** Apr. 19, 2011**

(54) **SIDE MIRROR FOR A VEHICLE**
(75) Inventor: **Nader Faghihzadeh**, Munich (DE)

(73) Assignee: **Bayerische Motoren Werke Aktiengesellschaft**, Munich (DE)

(**) Term: **14 Years**

(21) Appl. No.: **29/375,311**

(22) Filed: **Sep. 21, 2010**

(30) **Foreign Application Priority Data**

Mar. 22, 2010 (DE) 402010001749

(51) **LOC (9) Cl.** **12-16**

(52) **U.S. Cl.** **D12/187**

(58) **Field of Classification Search** D12/187,
D12/188, 189, 401; D6/300; 359/841, 838,
359/842-844, 868, 871, 604, 881, 514, 866;
248/479-483, 475.1

See application file for complete search history.

(56) **References Cited**

U.S. PATENT DOCUMENTS

D579,828 S *	11/2008	Bucher et al.	D12/163
D579,838 S	11/2008	Habib		
D585,800 S *	2/2009	Cheng	D12/187
D586,713 S *	2/2009	Habib	D12/187
D609,151 S *	2/2010	Kouchi et al.	D12/187
D612,311 S *	3/2010	Weil	D12/187
D621,313 S *	8/2010	Kimura et al.	D12/187
D625,674 S *	10/2010	Majdandzic	D12/187
D626,047 S *	10/2010	Owyang	D12/187
2001/0015862 A1 *	8/2001	Lynam et al.	359/879
2002/0048100 A1 *	4/2002	Hoek	359/870
2004/0218272 A1 *	11/2004	Boddy	359/512
2005/0174645 A1 *	8/2005	Boddy et al.	359/599
2005/0195074 A1 *	9/2005	Kano	340/475
2005/0200987 A1 *	9/2005	Pavao	359/871
2009/0213481 A1 *	8/2009	Wilson	359/868

2009/0244744 A1 *	10/2009	Okamoto et al.	359/872
2009/0268321 A1 *	10/2009	Wilson	359/868
2010/0195228 A1 *	8/2010	Sinelli et al.	359/866

FOREIGN PATENT DOCUMENTS

EM	000793310-0003	1/2008
EM	001663626-0002	3/2010
EM	001558883-0008	4/2010

* cited by examiner

Primary Examiner — Caron Veynar

Assistant Examiner — Katrina A Kile

(74) *Attorney, Agent, or Firm* — Crowell & Moring LLP

(57) **CLAIM**

The ornamental design for a side mirror for a vehicle, as shown and described.

DESCRIPTION

FIG. 1 is a front perspective view of a first embodiment of a side mirror for a vehicle according to my design; FIG. 2 is a rear perspective view thereof; FIG. 3 is a rear view thereof; FIG. 4 is a front view thereof; FIG. 5 is a right side view thereof; FIG. 6 is a left side view thereof; and FIG. 7 is a bottom view thereof; and FIG. 8 is a top view thereof.

FIG. 9 is a front perspective view of a second embodiment of the side mirror for a vehicle according to my design; FIG. 10 is a rear perspective view thereof; FIG. 11 is a rear view thereof; FIG. 12 is a front view thereof; FIG. 13 is a left side view thereof; FIG. 14 is a right side view thereof; and FIG. 15 is a bottom view thereof; and, FIG. 16 is a top view thereof.

In the drawings, the broken lines show portions of a side mirror for a vehicle and form no part of the claimed design. The second embodiment is a mirror image of the side mirror for a vehicle as shown in FIGS. 1-8.

1 Claim, 10 Drawing Sheets

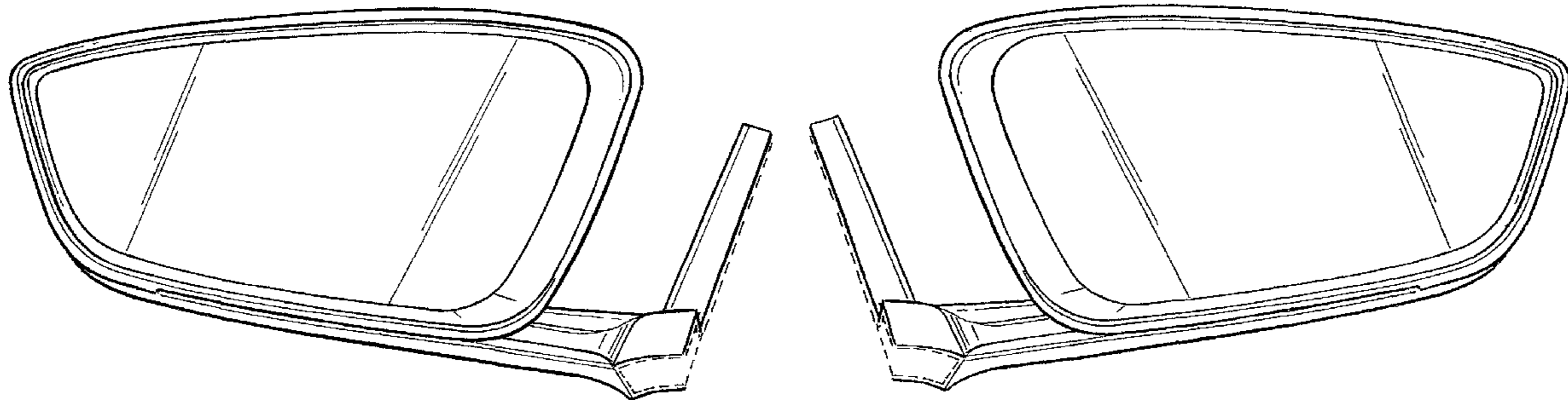




FIG. 1

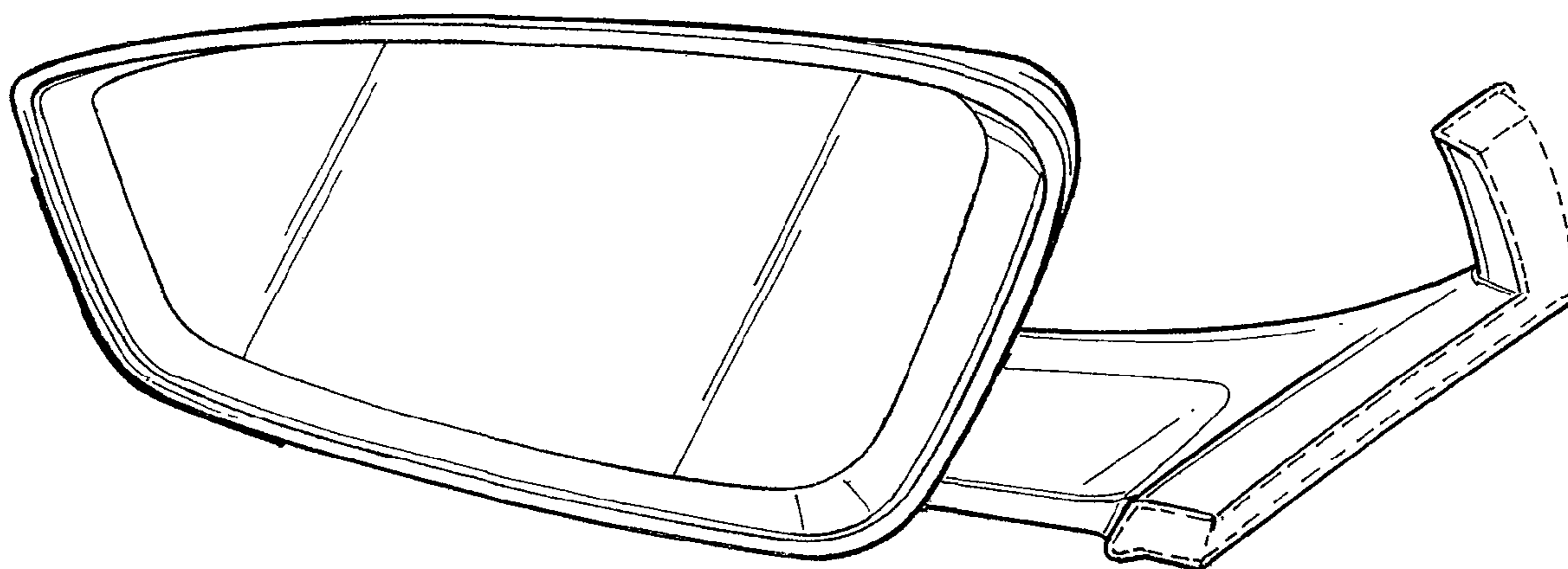


FIG. 2

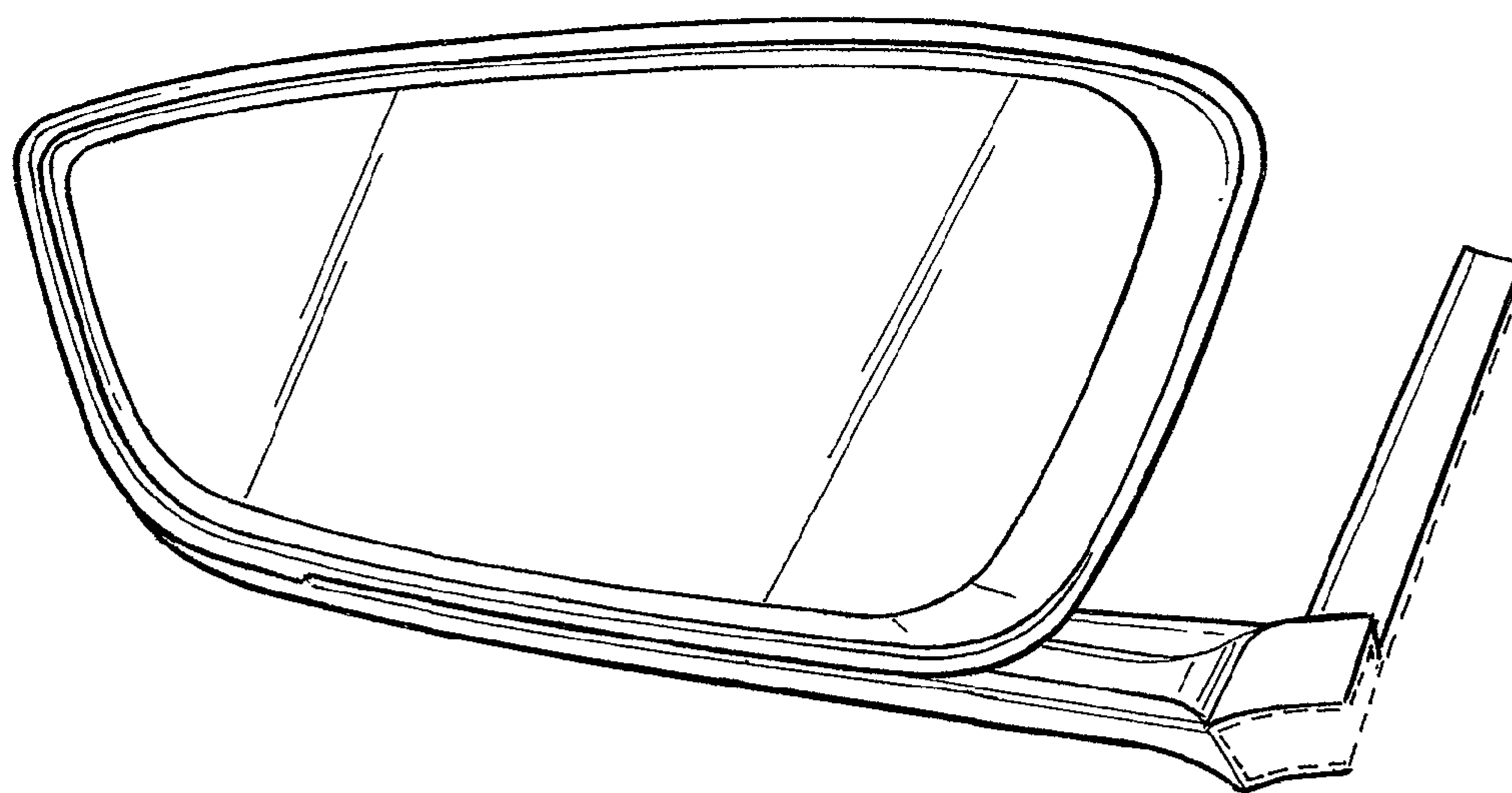


FIG. 3

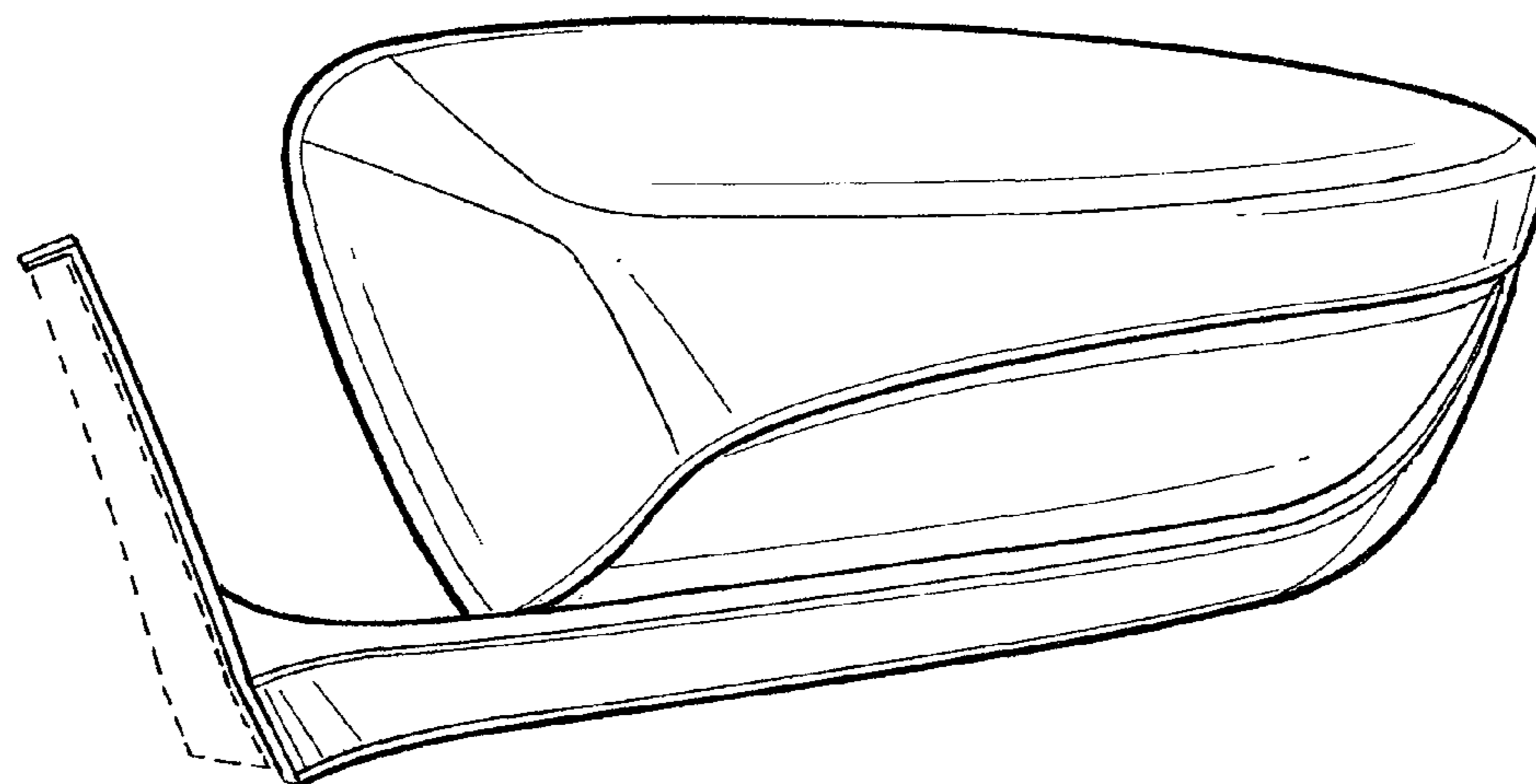


FIG. 4

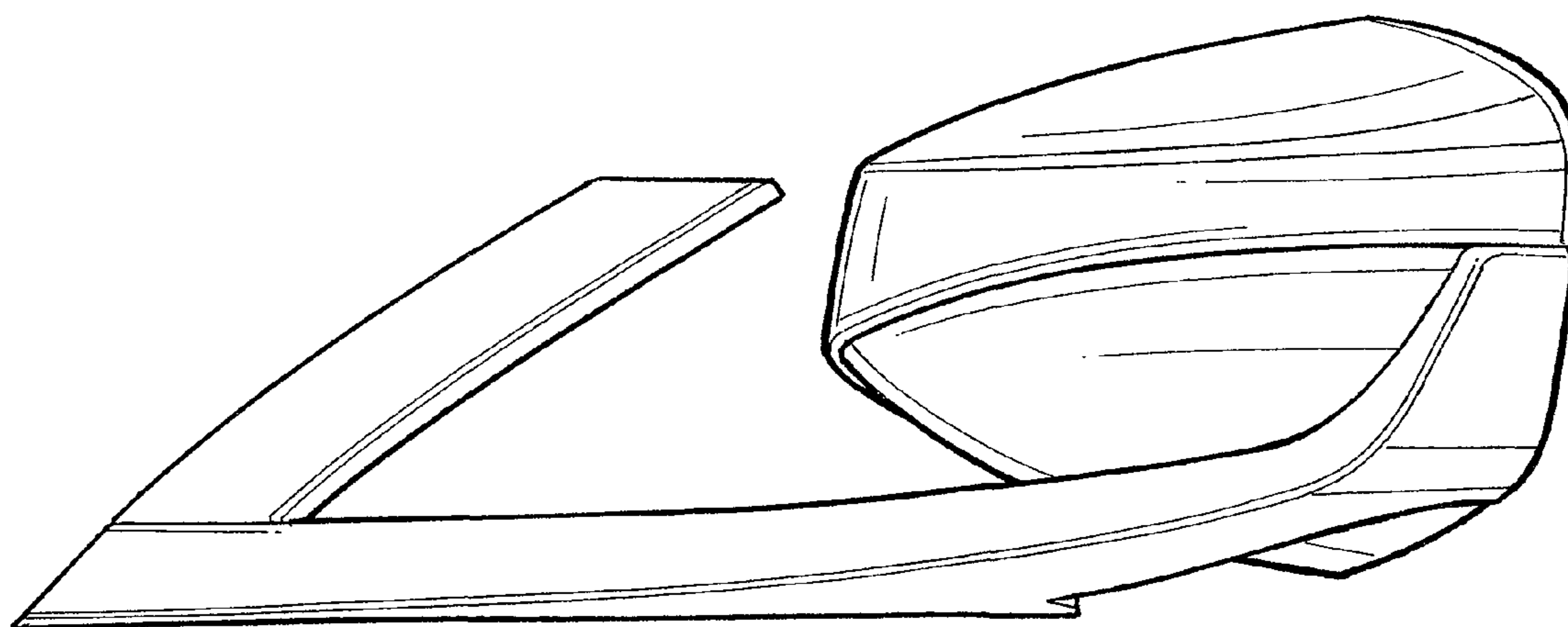


FIG. 5

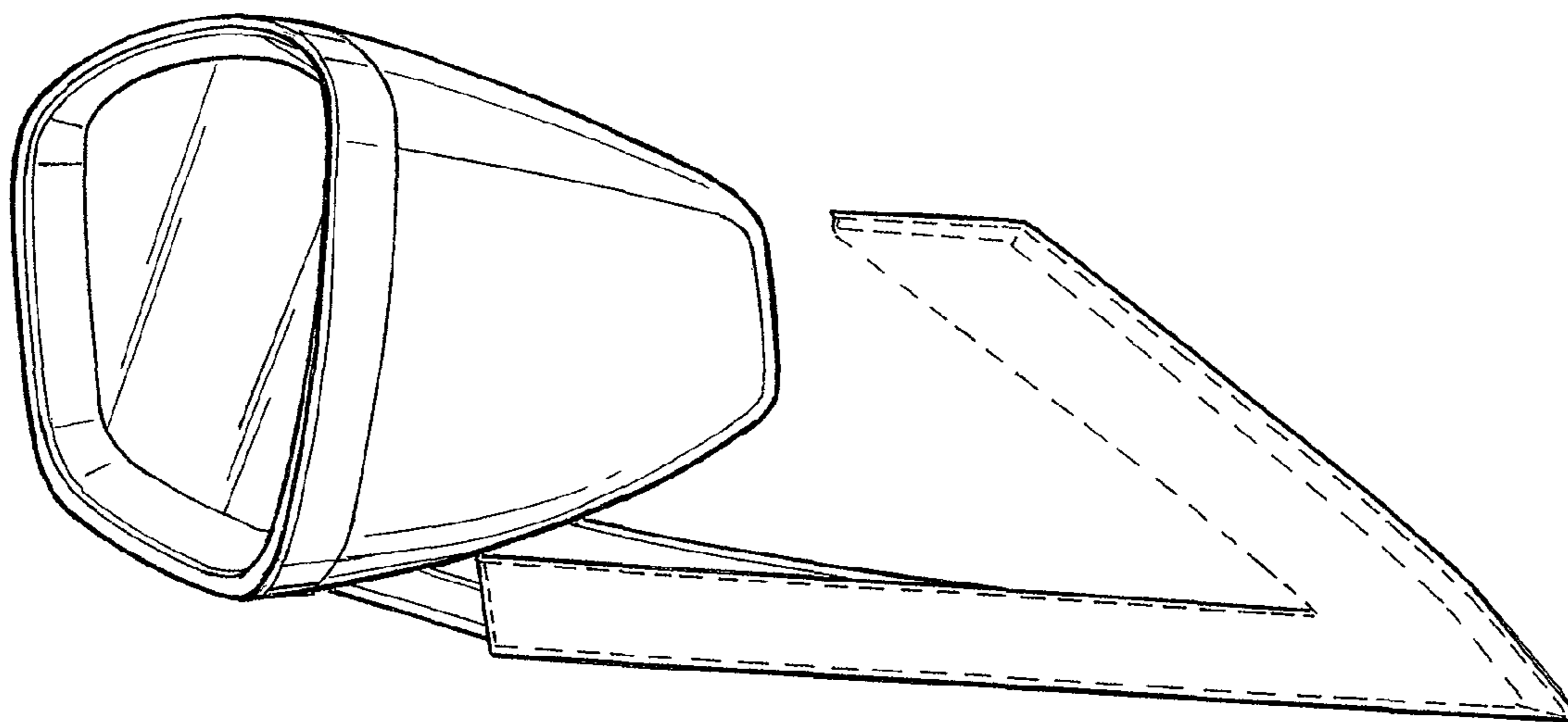


FIG. 6

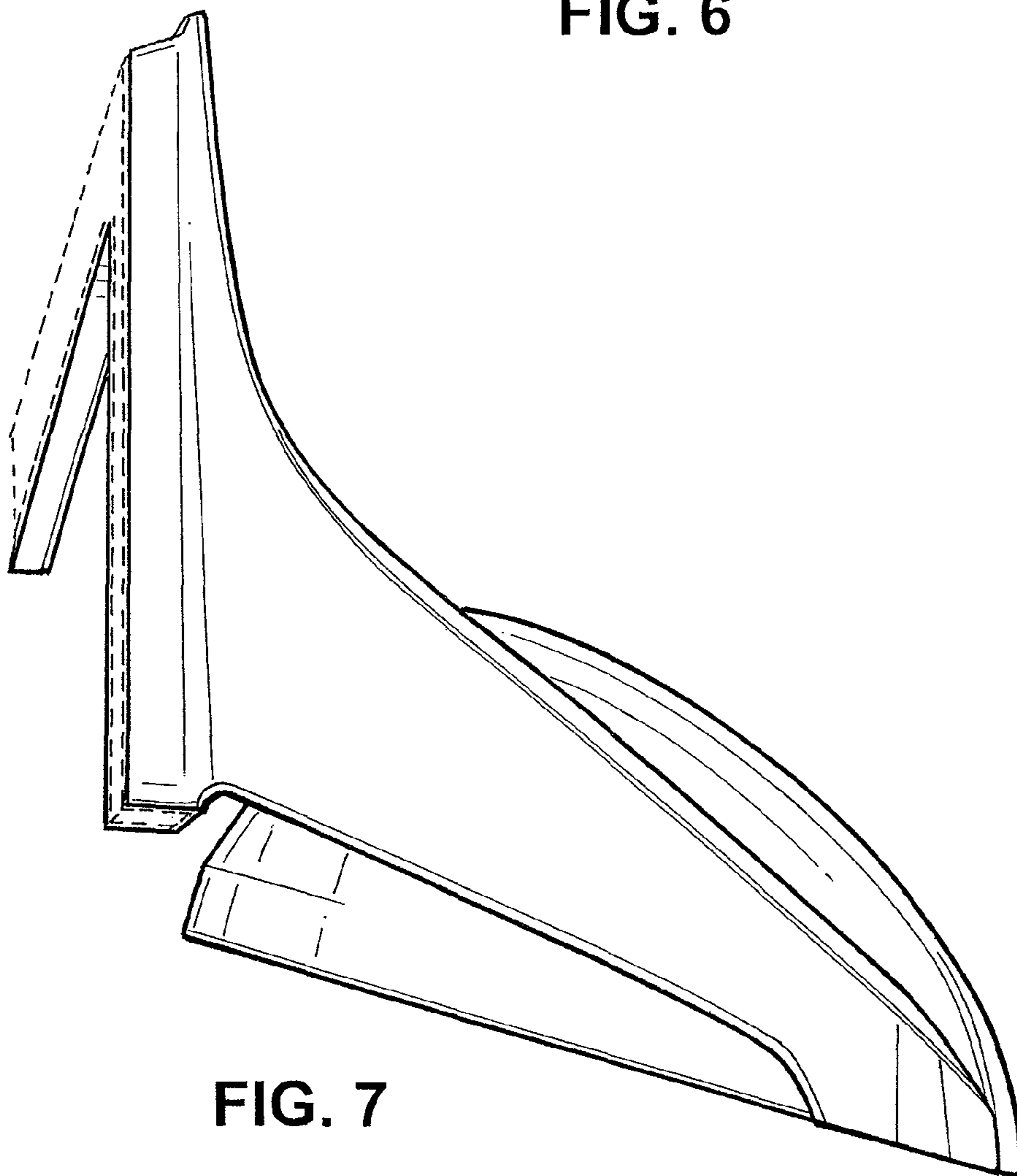


FIG. 7

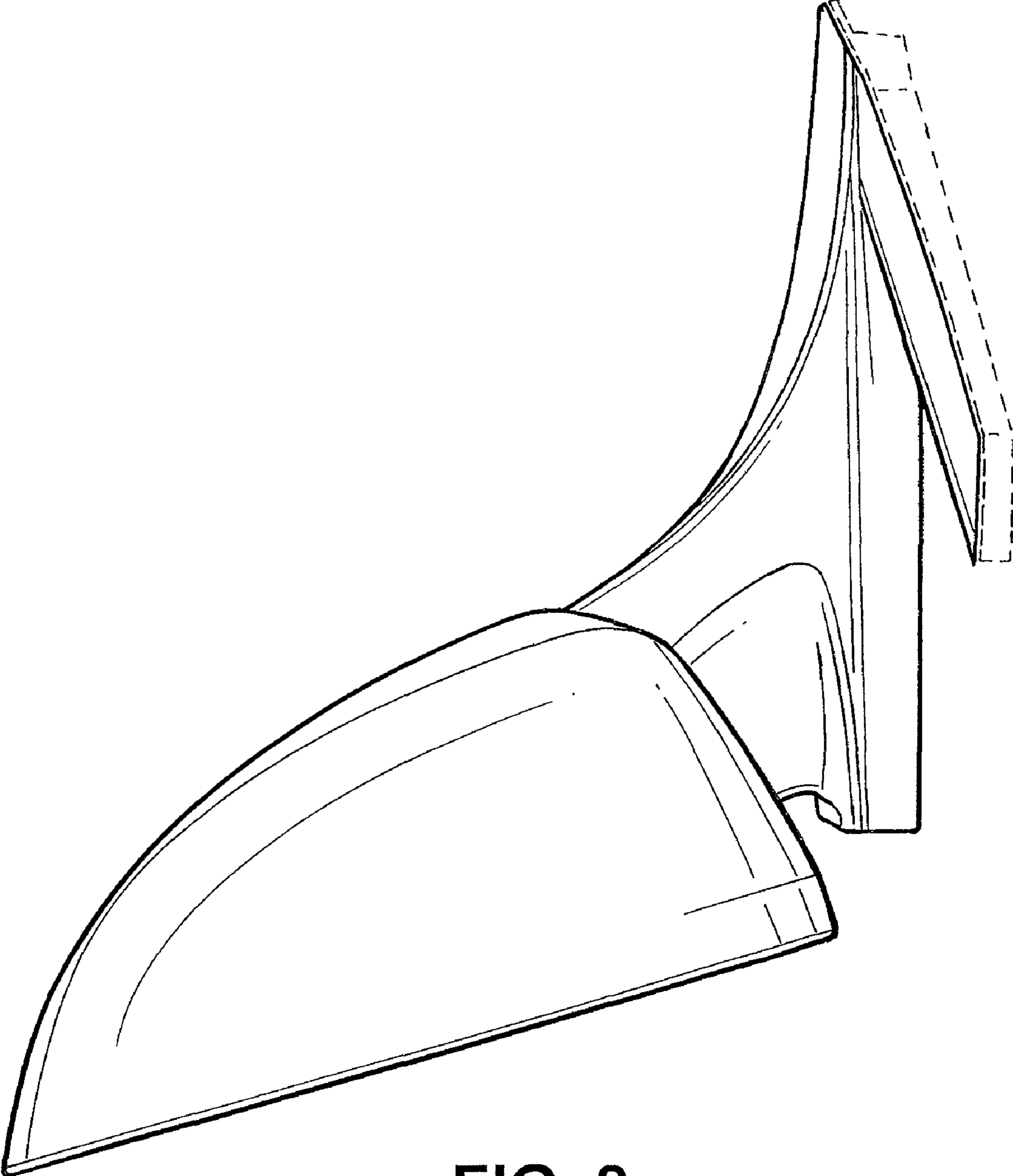


FIG. 8



FIG. 9

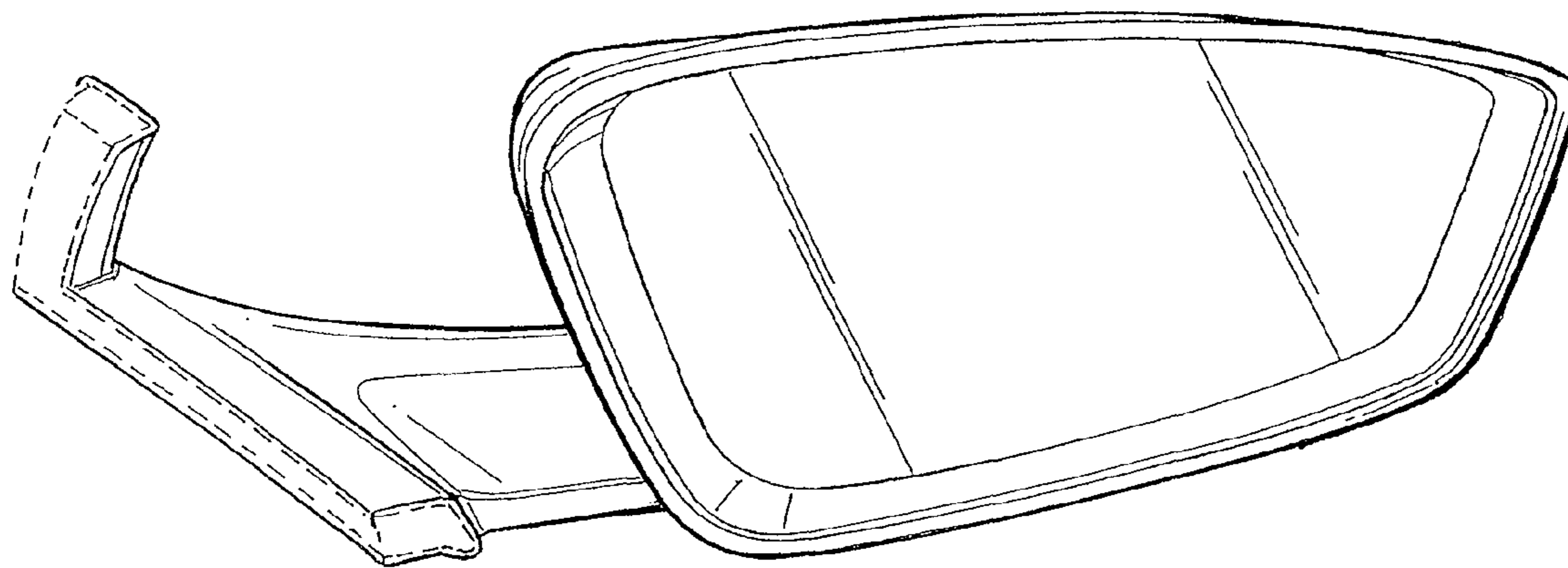


FIG. 10

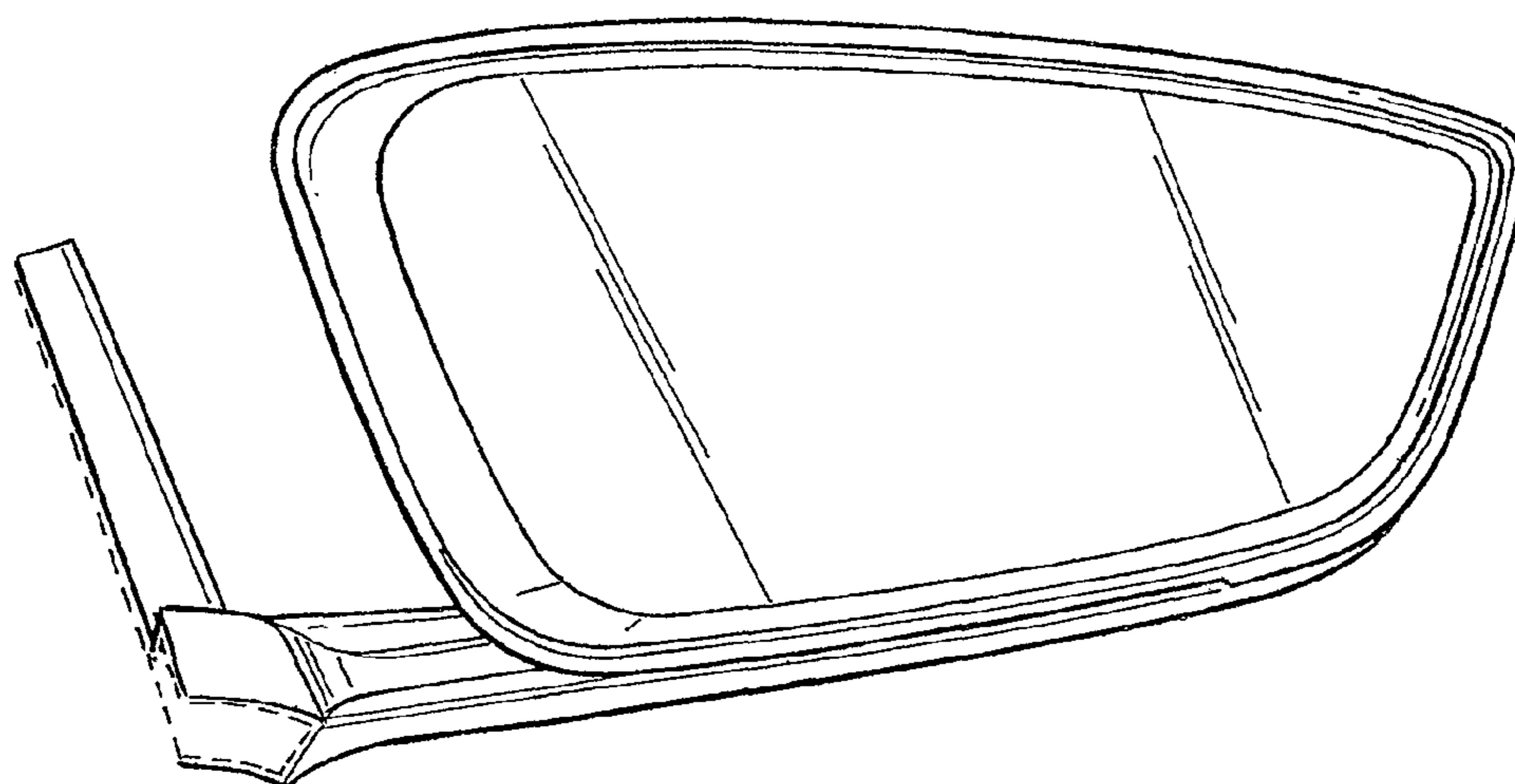


FIG. 11

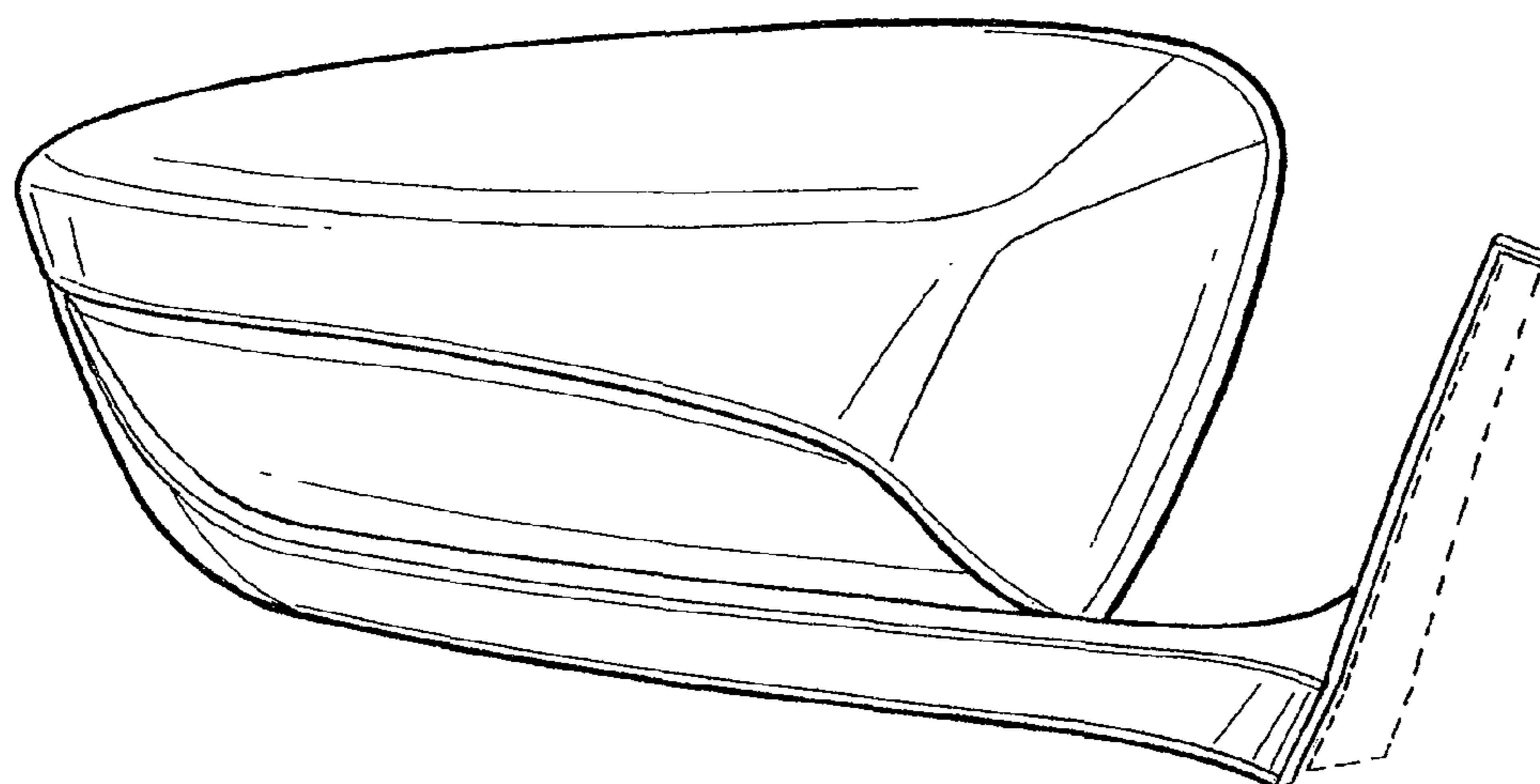


FIG. 12

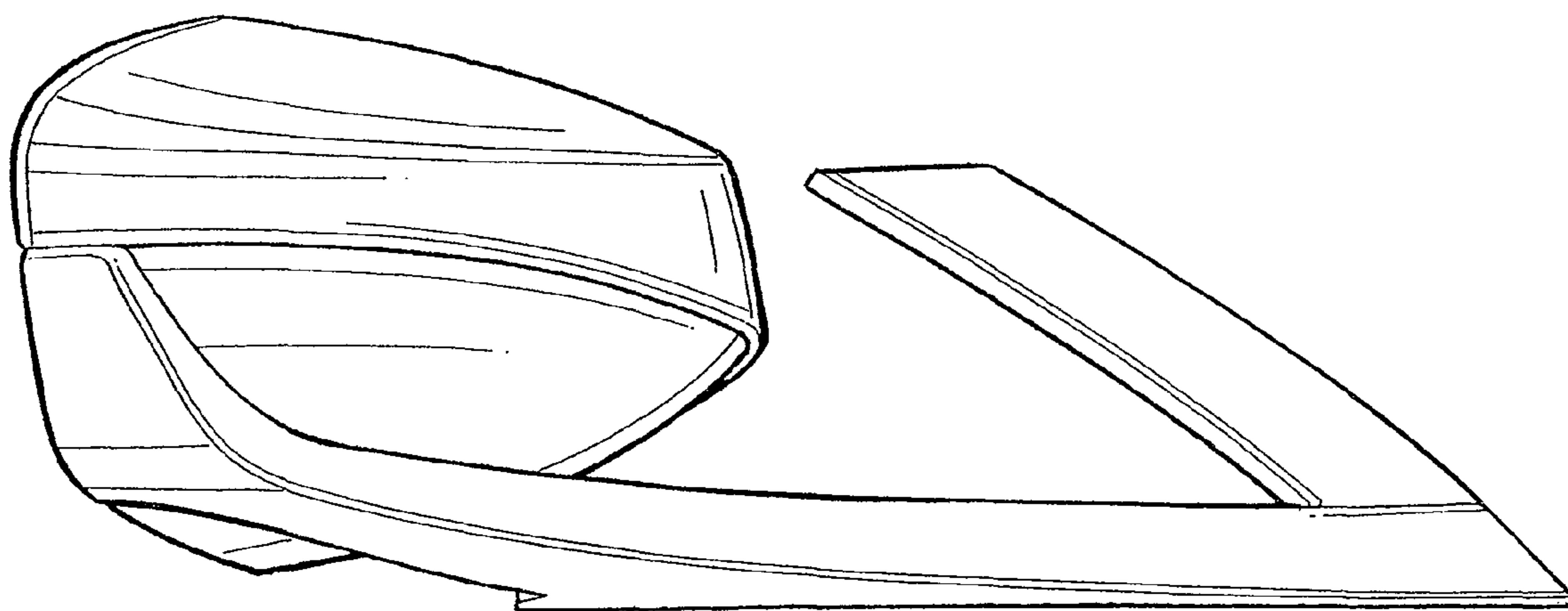


FIG. 13

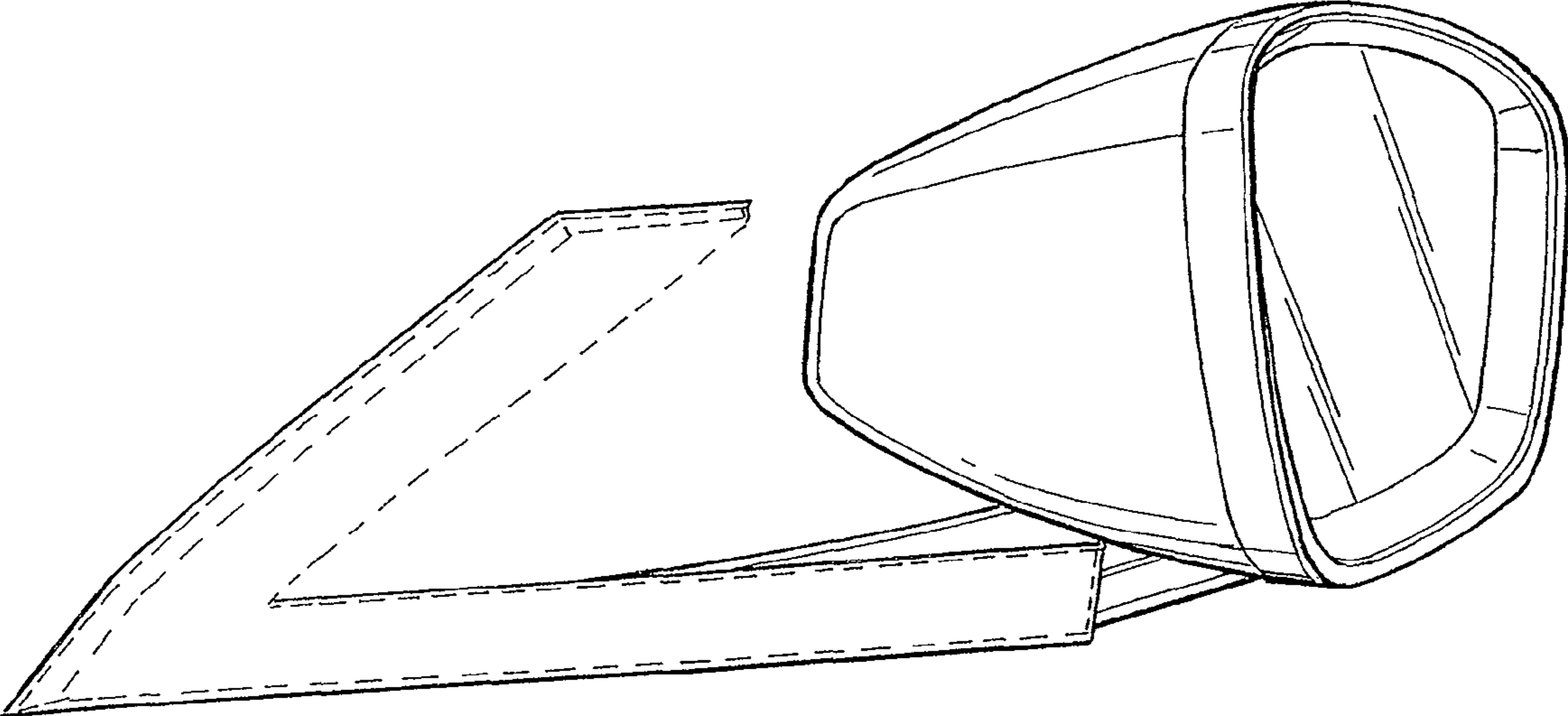


FIG. 14

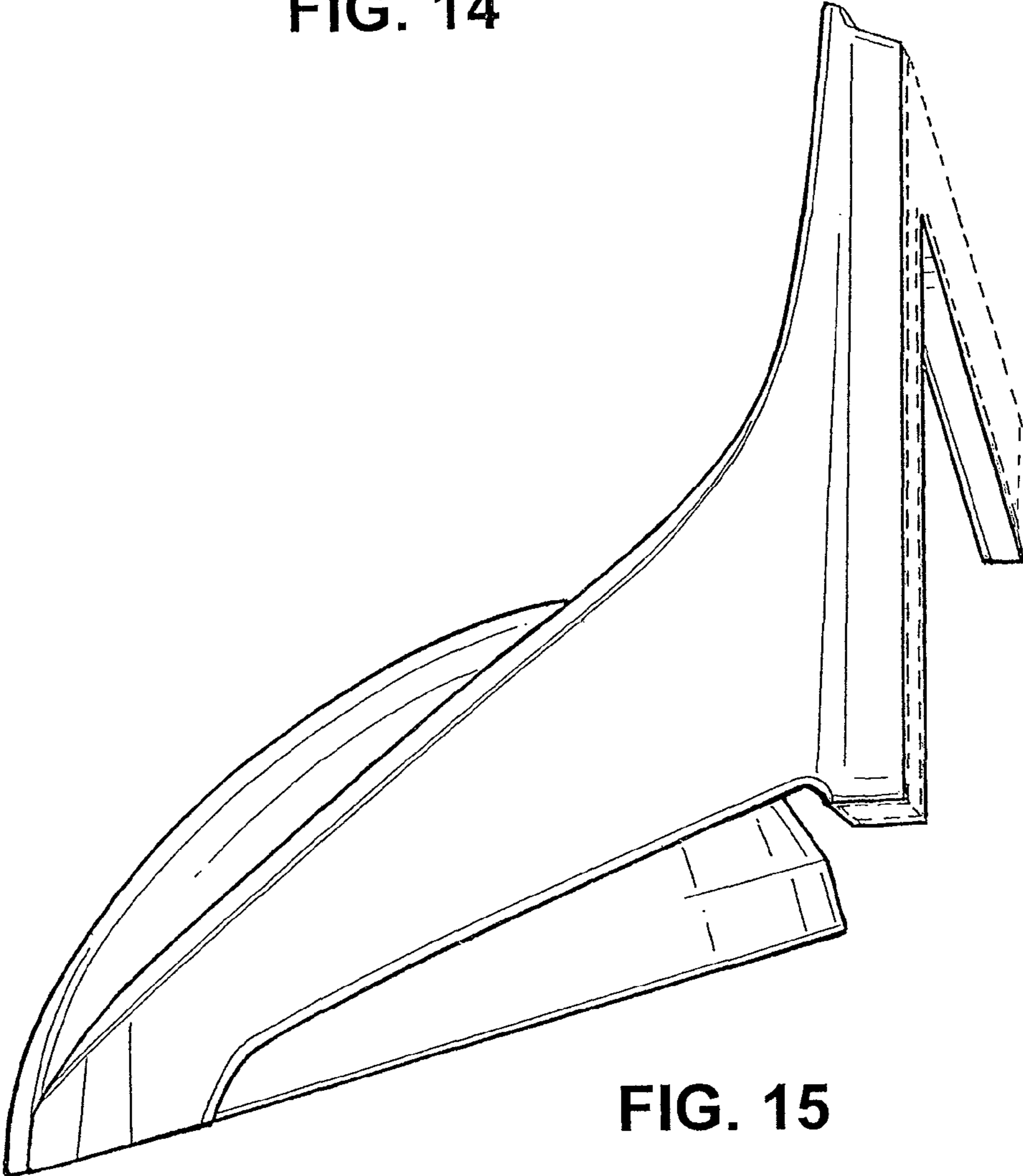


FIG. 15

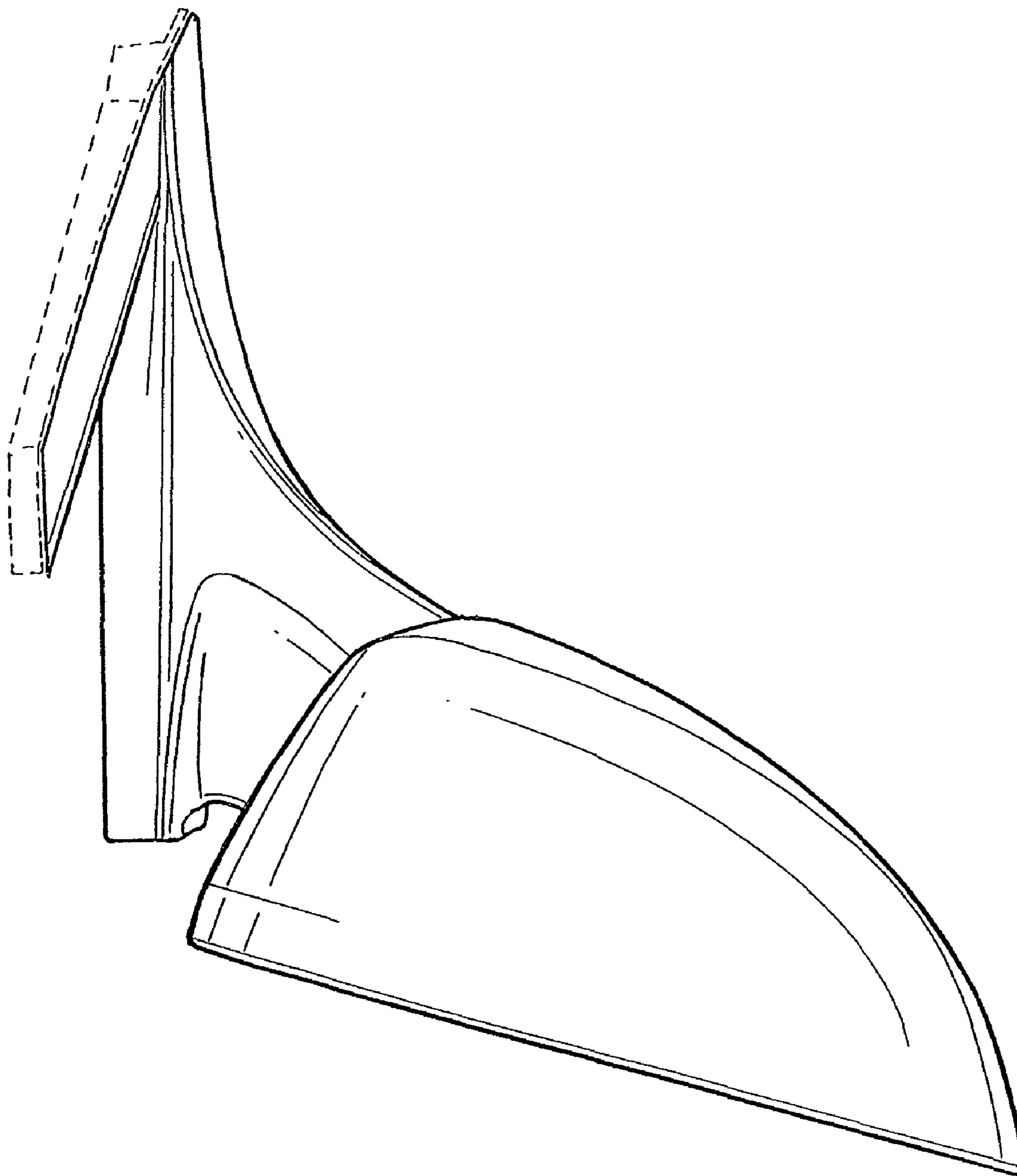


FIG. 16