

US00D636308S

(12) **United States Design Patent**
Reimchen et al.

(10) **Patent No.:** **US D636,308 S**

(45) **Date of Patent:** **** Apr. 19, 2011**

(54) **MIRROR HOUSING**

(75) Inventors: **Richard Reimchen**, Ansbach (DE);
Albrecht Popp, Weihenzell (DE)

(73) Assignees: **Lang-Mekra North America, LLC**,
Ridgeway, SC (US); **Mekra Lang**
GmbH & Co. KG (DE)

(**) Term: **14 Years**

(21) Appl. No.: **29/359,287**

(22) Filed: **Apr. 8, 2010**

(30) **Foreign Application Priority Data**

Oct. 12, 2009 (DE) 40 2009 004 993

(51) **LOC (9) Cl.** **12-16**

(52) **U.S. Cl.** **D12/187**

(58) **Field of Classification Search** D12/187,
D12/188, 189, 401; D6/300; 359/841, 838,
359/842-844, 868, 871, 604, 881, 514, 866;
248/479-483, 475.1

See application file for complete search history.

(56) **References Cited**

U.S. PATENT DOCUMENTS

D505,897 S * 6/2005 Wade D12/188
D545,741 S * 7/2007 Branham D12/187
D575,708 S * 8/2008 Courbon et al. D12/187
D581,334 S * 11/2008 Courbon et al. D12/187
D597,007 S * 7/2009 Ferman D12/187

7,572,020 B2 * 8/2009 Henion 359/876
7,631,977 B2 * 12/2009 Lang et al. 359/841
D607,389 S * 1/2010 Brester D12/187
D610,513 S * 2/2010 Meier et al. D12/187
2006/0250710 A1 * 11/2006 Schmidt et al. 359/879
2008/0259476 A1 * 10/2008 Branham 359/871
2010/0202072 A1 * 8/2010 Ferman et al. 359/850

* cited by examiner

Primary Examiner — Caron Veynar

Assistant Examiner — Katrina A Kile

(74) *Attorney, Agent, or Firm* — McNair Law Firm, P.A.;
Seann P. Lahey

(57) **CLAIM**

The ornamental design for a mirror housing, as shown and described.

DESCRIPTION

FIG. 1 is a front perspective view of the mirror housing design;

FIG. 2 a rear perspective view of the mirror housing design;

FIG. 3 is a front elevation view of the mirror housing design;

FIG. 4 is a rear elevation view of the mirror housing design;

FIG. 5 is a left side elevation view of the mirror housing design;

FIG. 6 is a right side elevation view of the mirror housing design;

FIG. 7 is a top plan view of the mirror housing design; and,

FIG. 8 is a bottom plan view of the mirror housing design.

In the drawings, the broken lines showing the elongated support arm and mirrors form no part of the claimed design.

1 Claim, 4 Drawing Sheets

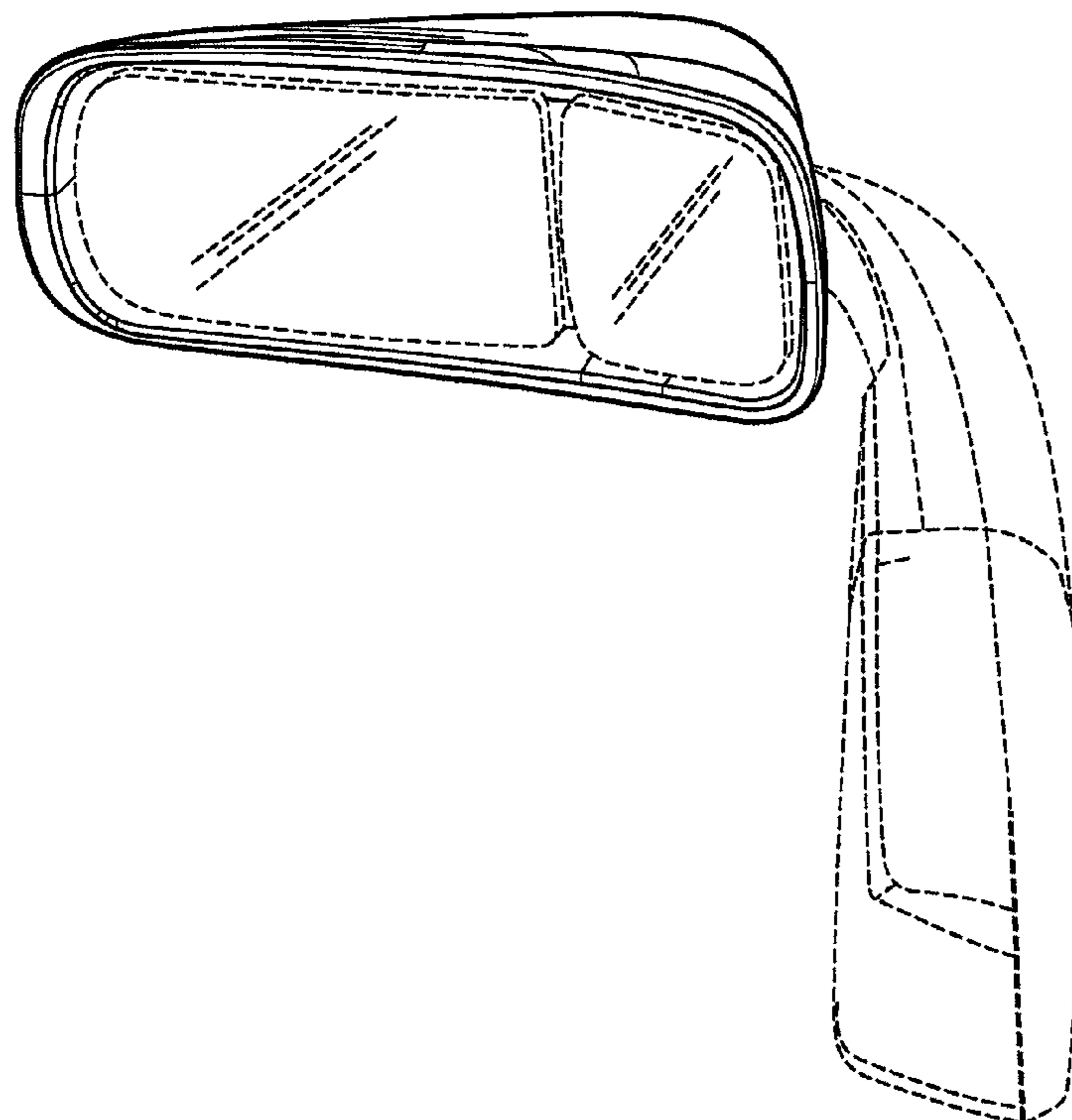


Fig. 1

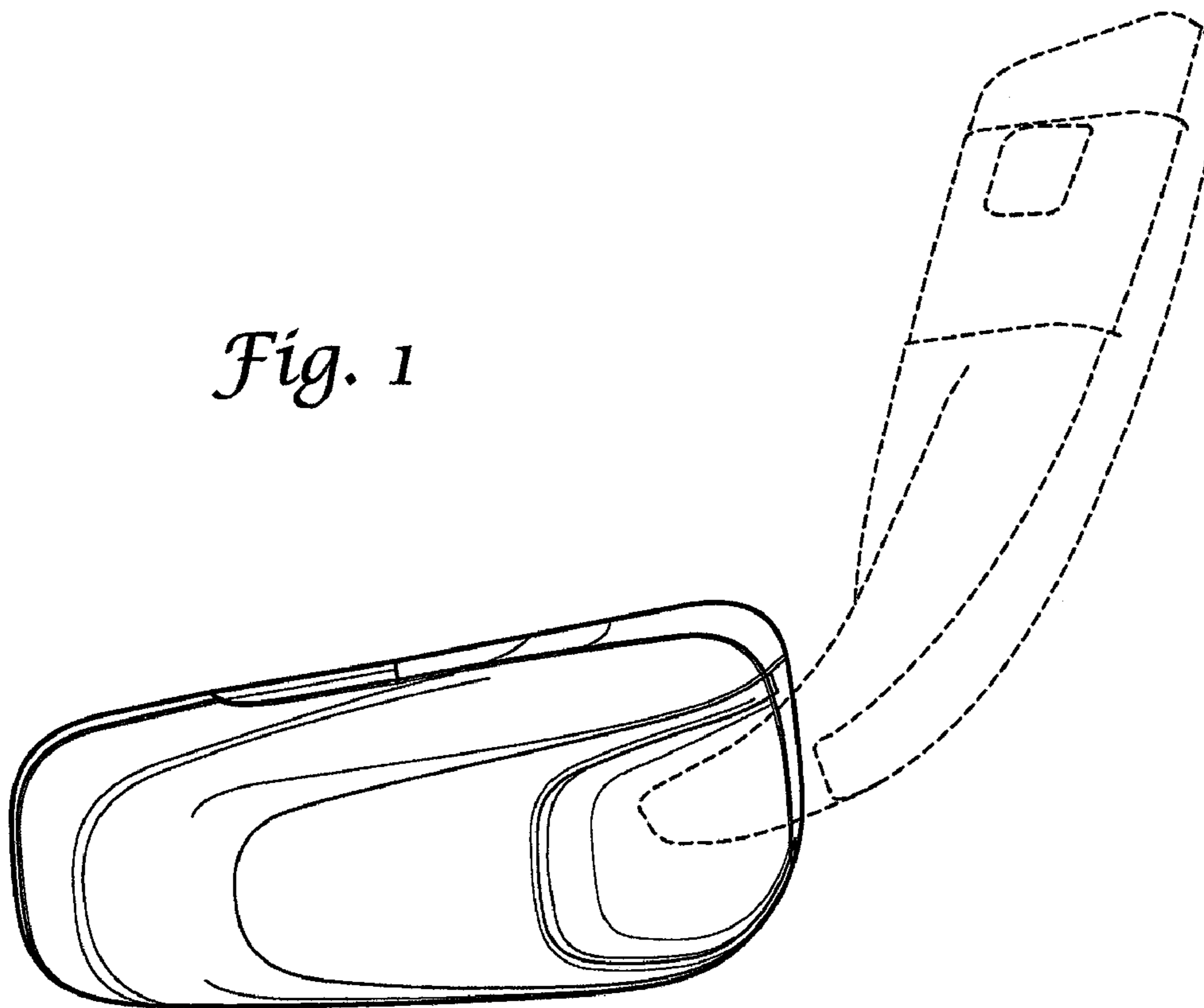


Fig. 2

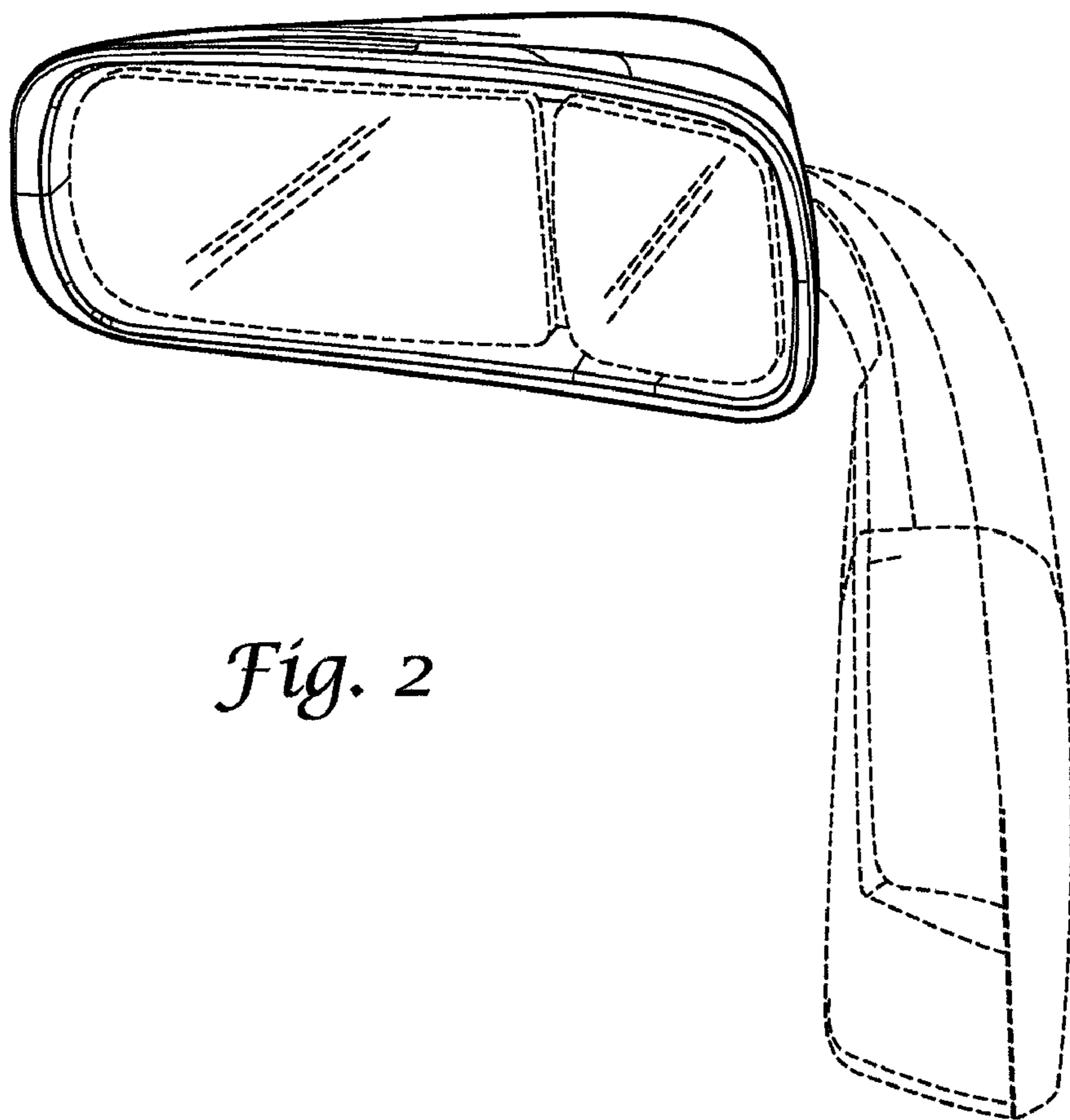


Fig. 3

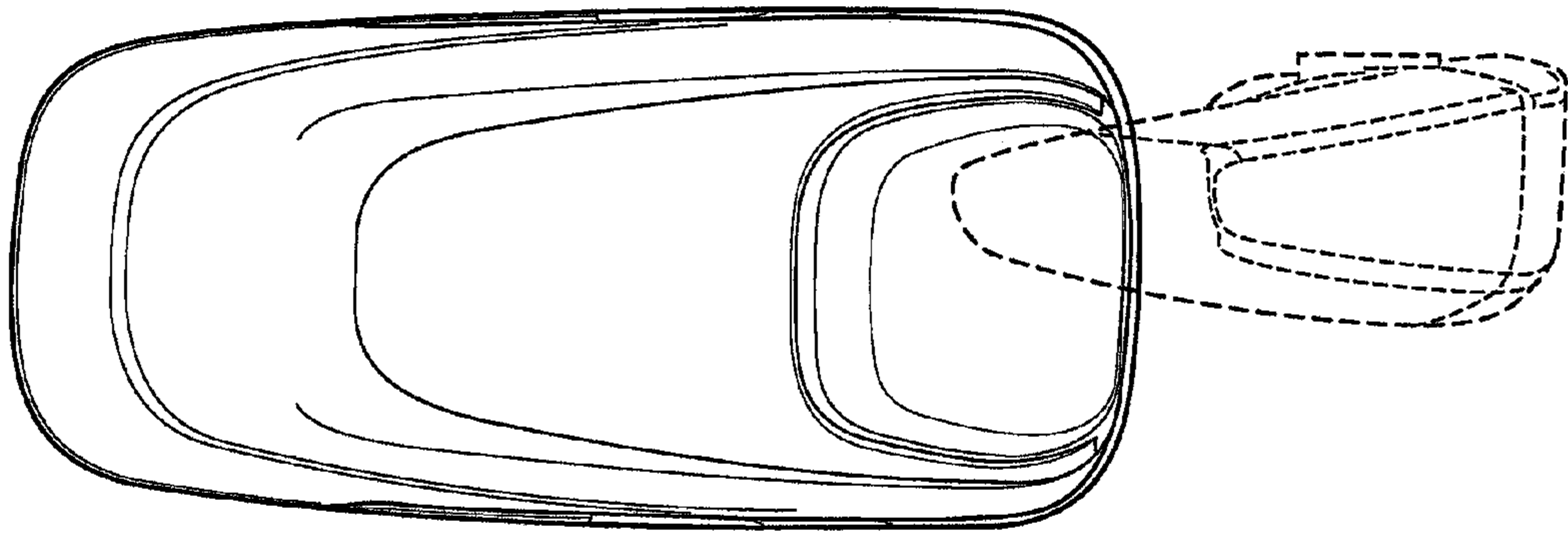
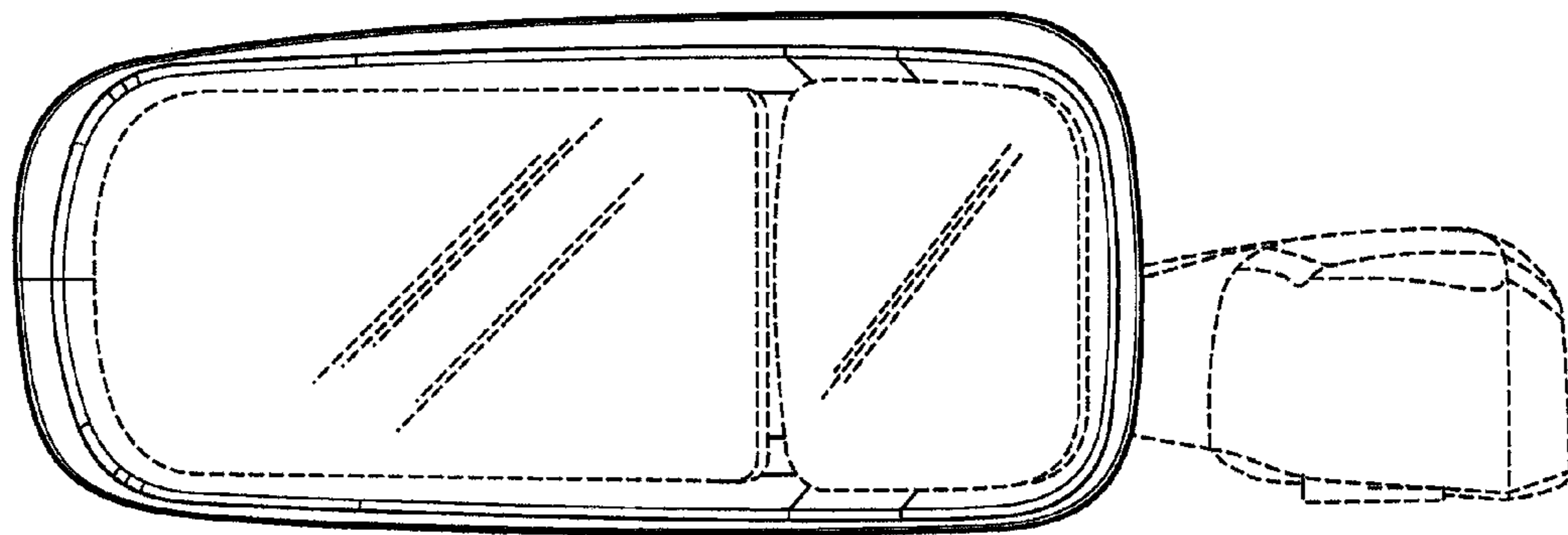


Fig. 4



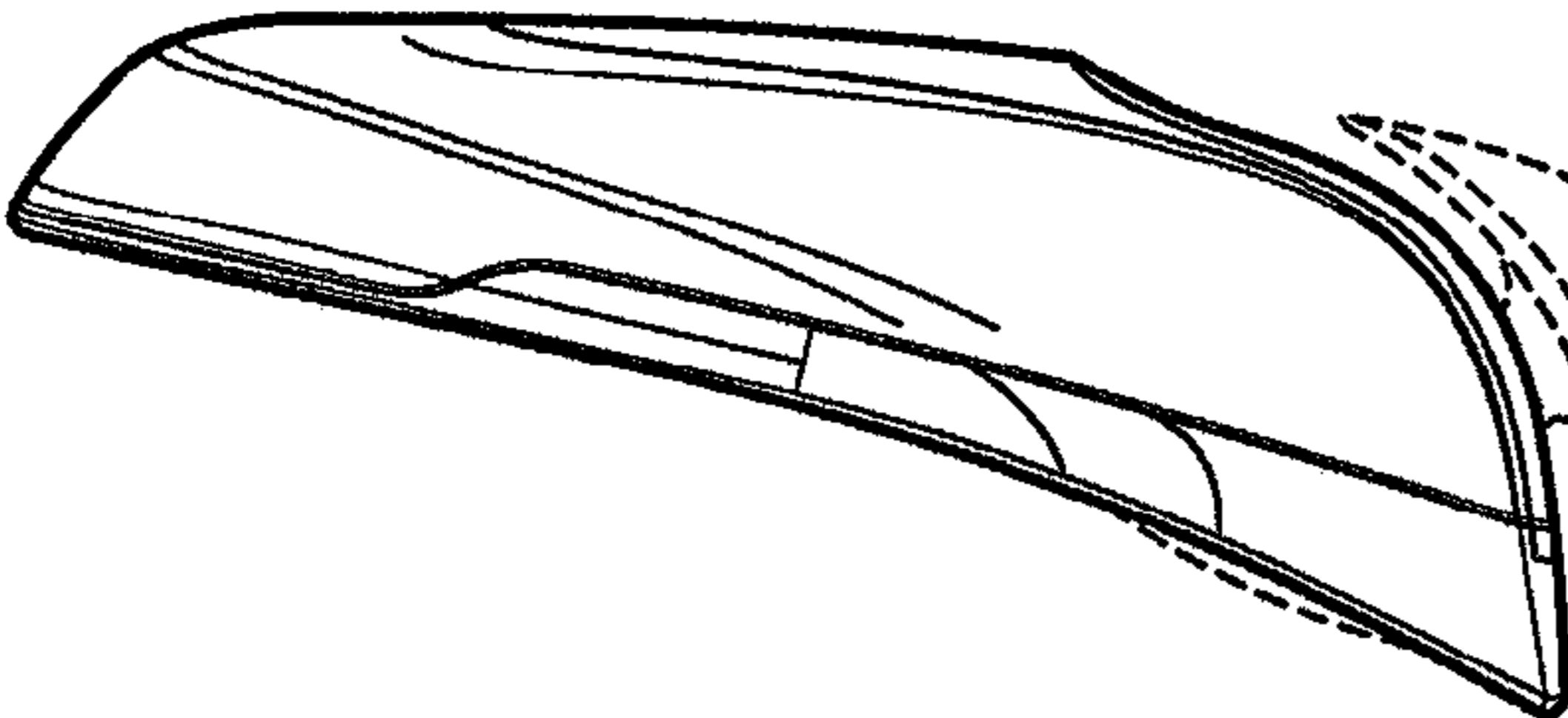


Fig. 5

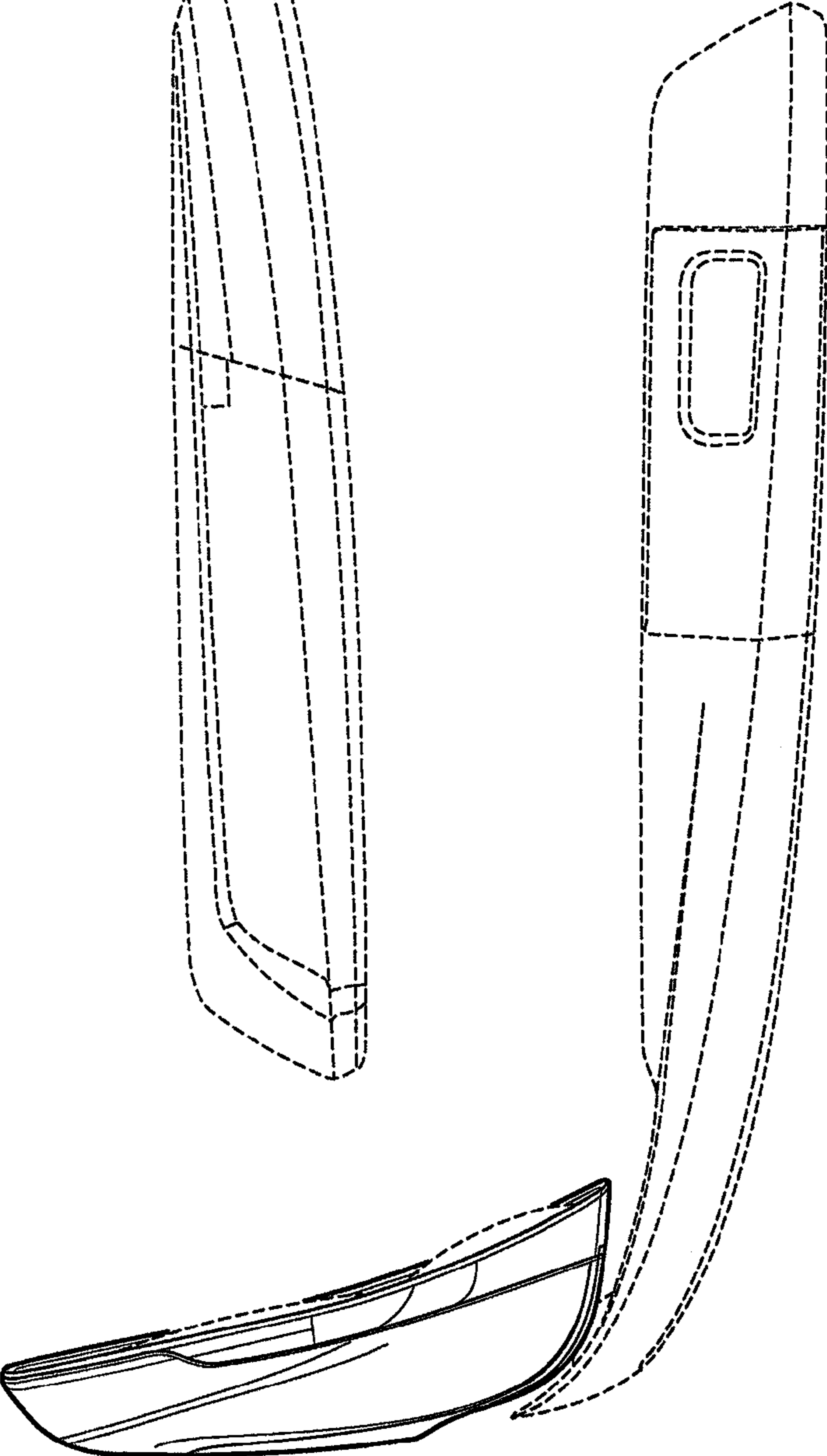


Fig. 6

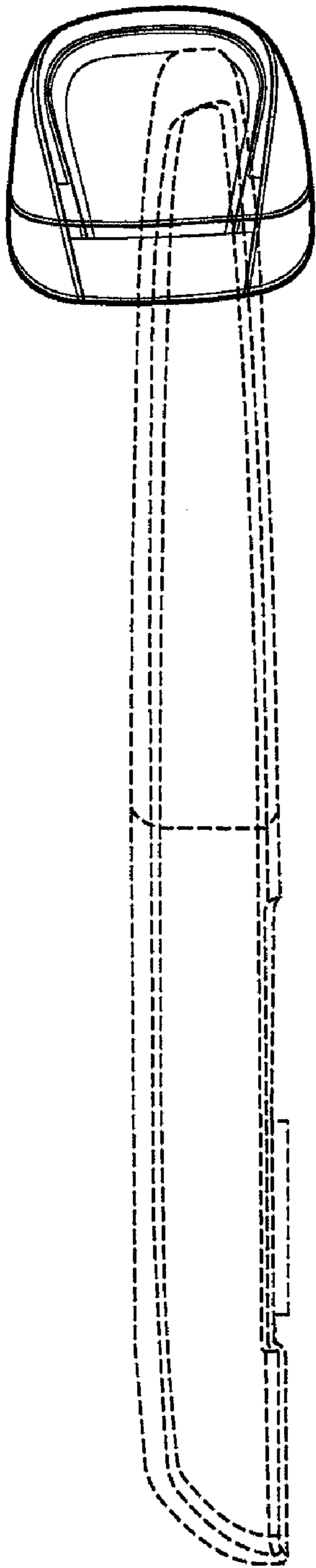


Fig. 7

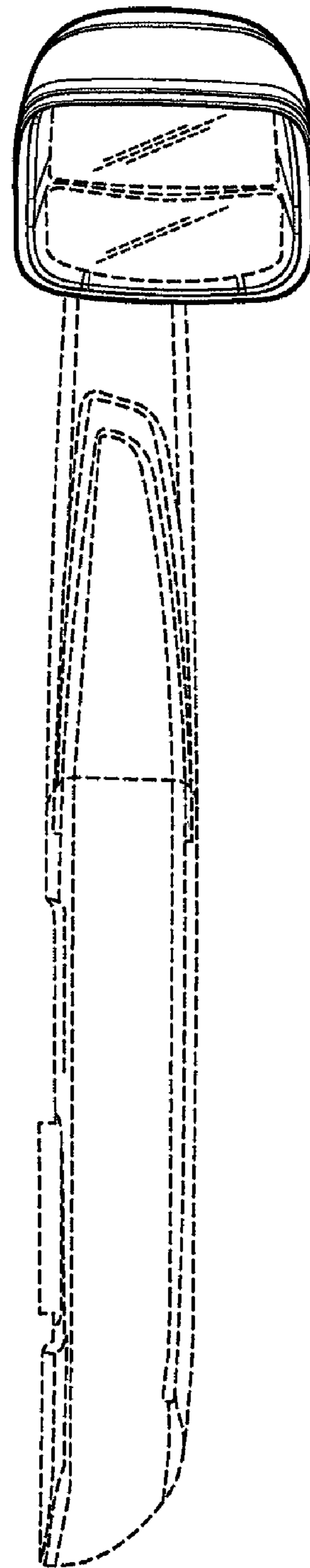


Fig. 8