



US00D636307S

(12) **United States Design Patent**  
**Lamm et al.**

(10) **Patent No.:** **US D636,307 S**  
(45) **Date of Patent:** **\*\* \*Apr. 19, 2011**

(54) **VEHICLE MIRROR**

(75) Inventors: **Stefan Lamm**, Köln (DE); **Murat Gueler**, Köln (DE)

(73) Assignee: **Ford Motor Company**, Dearborn, MI (US)

(\* ) Notice: This patent is subject to a terminal disclaimer.

(\*\*) Term: **14 Years**

(21) Appl. No.: **29/344,497**

(22) Filed: **Sep. 30, 2009**

(51) **LOC (9) Cl.** ..... **12-16**

(52) **U.S. Cl.** ..... **D12/187**

(58) **Field of Classification Search** ..... D12/187, D12/188-189, 96; D6/300, 309; 359/838, 359/841, 843, 844, 868, 871, 604, 881, 514, 359/866; 248/479-483, 475.1

See application file for complete search history.

(56) **References Cited**

**U.S. PATENT DOCUMENTS**

D410,421	S	*	6/1999	Pfeiffer	.....	D12/187
D578,047	S		10/2008	Kaoud et al.		
D589,859	S	*	4/2009	Golden et al.	.....	D12/187
D603,774	S	*	11/2009	Chen	.....	D12/187
D605,995	S	*	12/2009	Woolley et al.	.....	D12/187
2002/0141085	A1	*	10/2002	Whitehead et al.	.....	359/841

2008/0247068	A1	*	10/2008	Wakabayashi	.....	359/871
2008/0310041	A1	*	12/2008	Sinelli et al.	.....	359/879
2009/0086346	A1	*	4/2009	Henion	.....	359/841

**OTHER PUBLICATIONS**

Ford Focus 2.5 ST, Geneva Autoshow, Mar. 5, 2009 <http://www.facts.ford.com>.

Car Spy Photos, Mar. 26, 2009 <http://carsspyphotos.com/2011-ford-focus-3/>.

Next Generation 2011 Ford Focus Mule First Spy Photos, Aug. 28, 2009 <http://www.worldcarfans.com/109082821357/next-generation-2011-ford-focus-mule-first-spy-photos>.

\* cited by examiner

*Primary Examiner* — Caron Veynar

*Assistant Examiner* — Katrina A Kile

(74) *Attorney, Agent, or Firm* — Damian Porcari

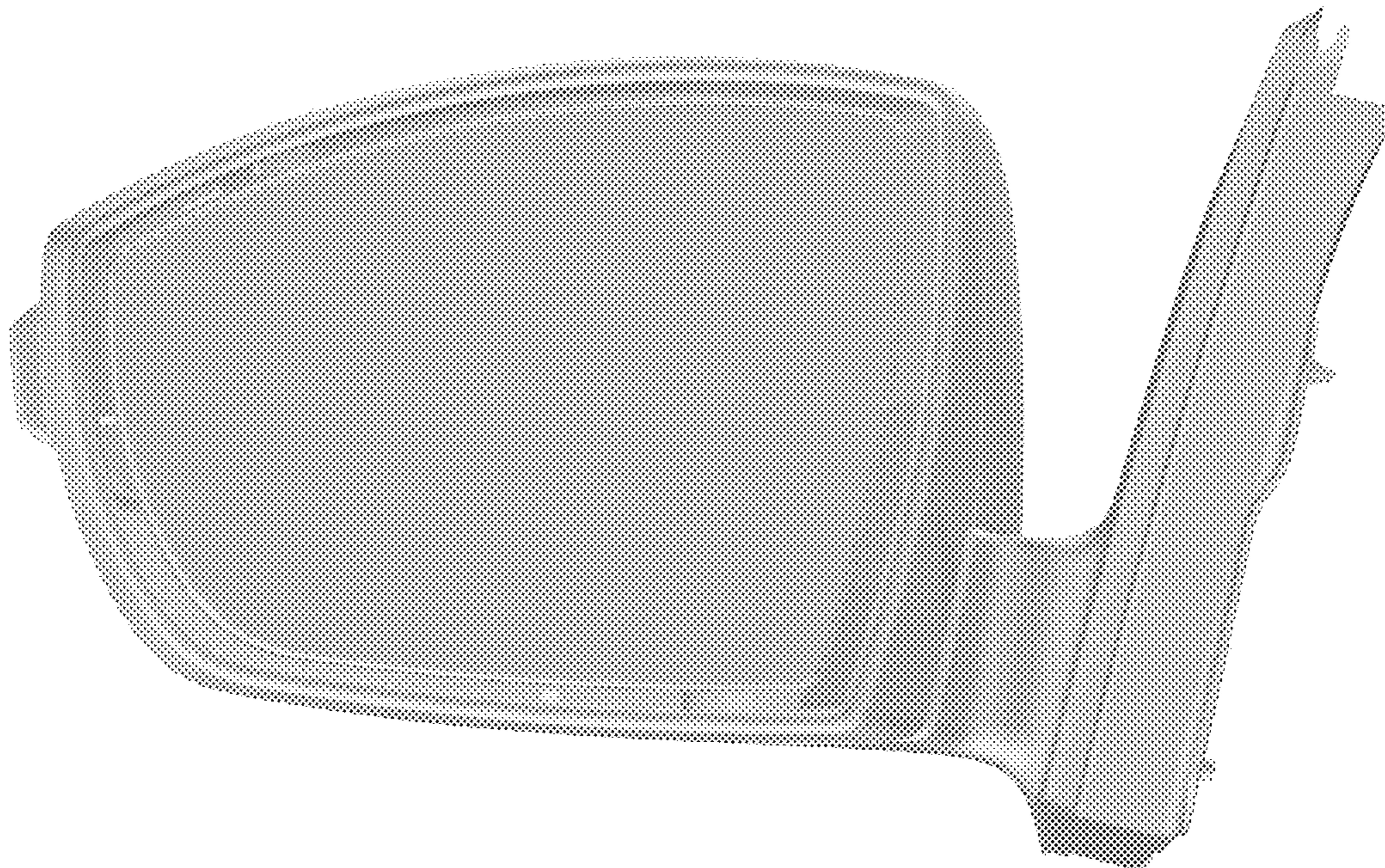
(57) **CLAIM**

An ornamental design for a vehicle mirror, as shown and described.

**DESCRIPTION**

FIG. 1 is a left side elevational view of a left vehicle mirror; FIG. 2 is a right side elevational view of the vehicle mirror; FIG. 3 is a front elevational view of the vehicle mirror; FIG. 4 is a rear elevational view of the vehicle mirror; FIG. 5 is a top plan view of the vehicle mirror; FIG. 6 is a bottom plan view of the vehicle mirror; FIG. 7 is a perspective view of the vehicle mirror; and, FIG. 8 is another perspective view of the vehicle mirror.

**1 Claim, 8 Drawing Sheets**



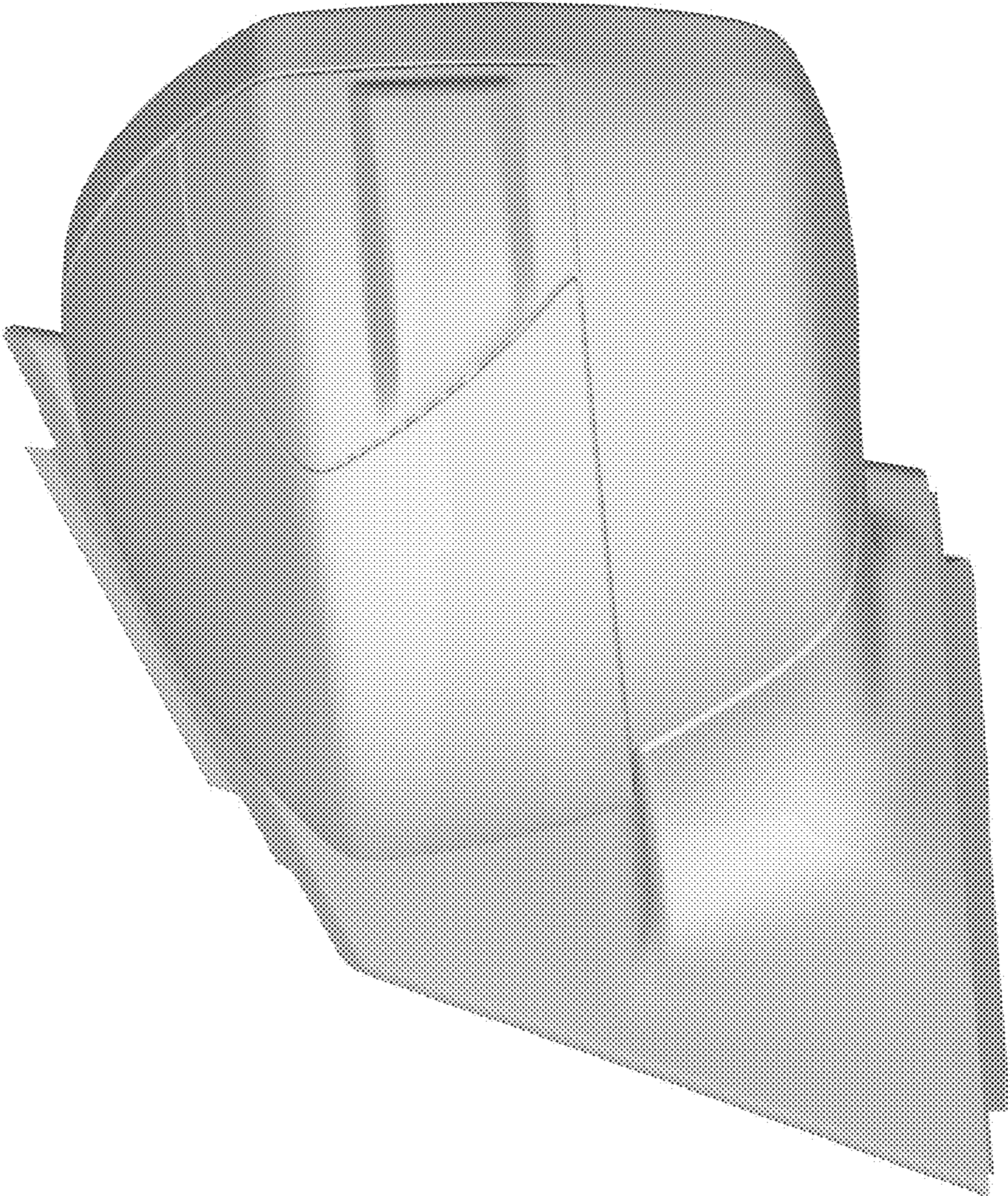


Figure 1

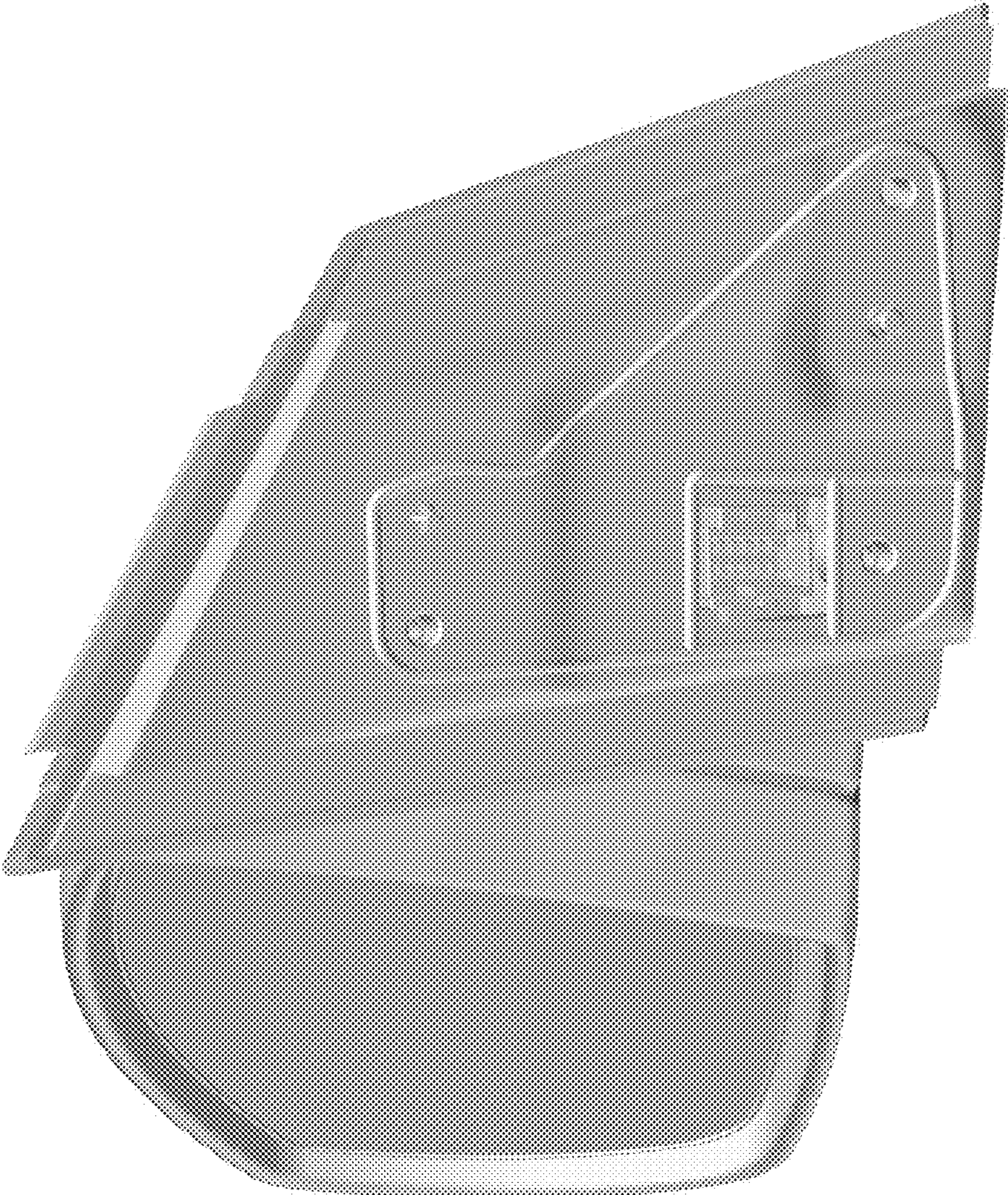


Figure 2



Figure 3



Figure 4

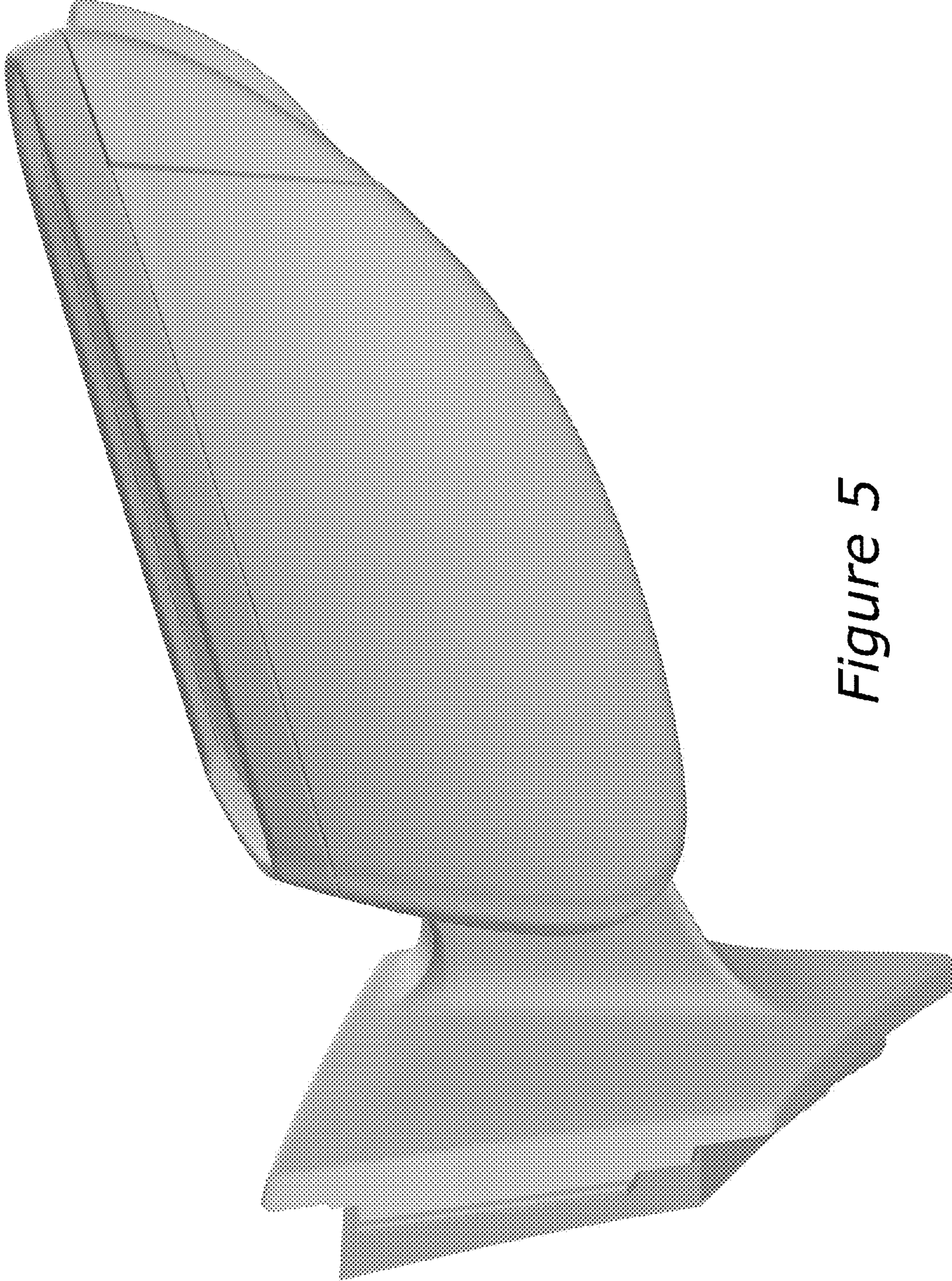


Figure 5



Figure 6

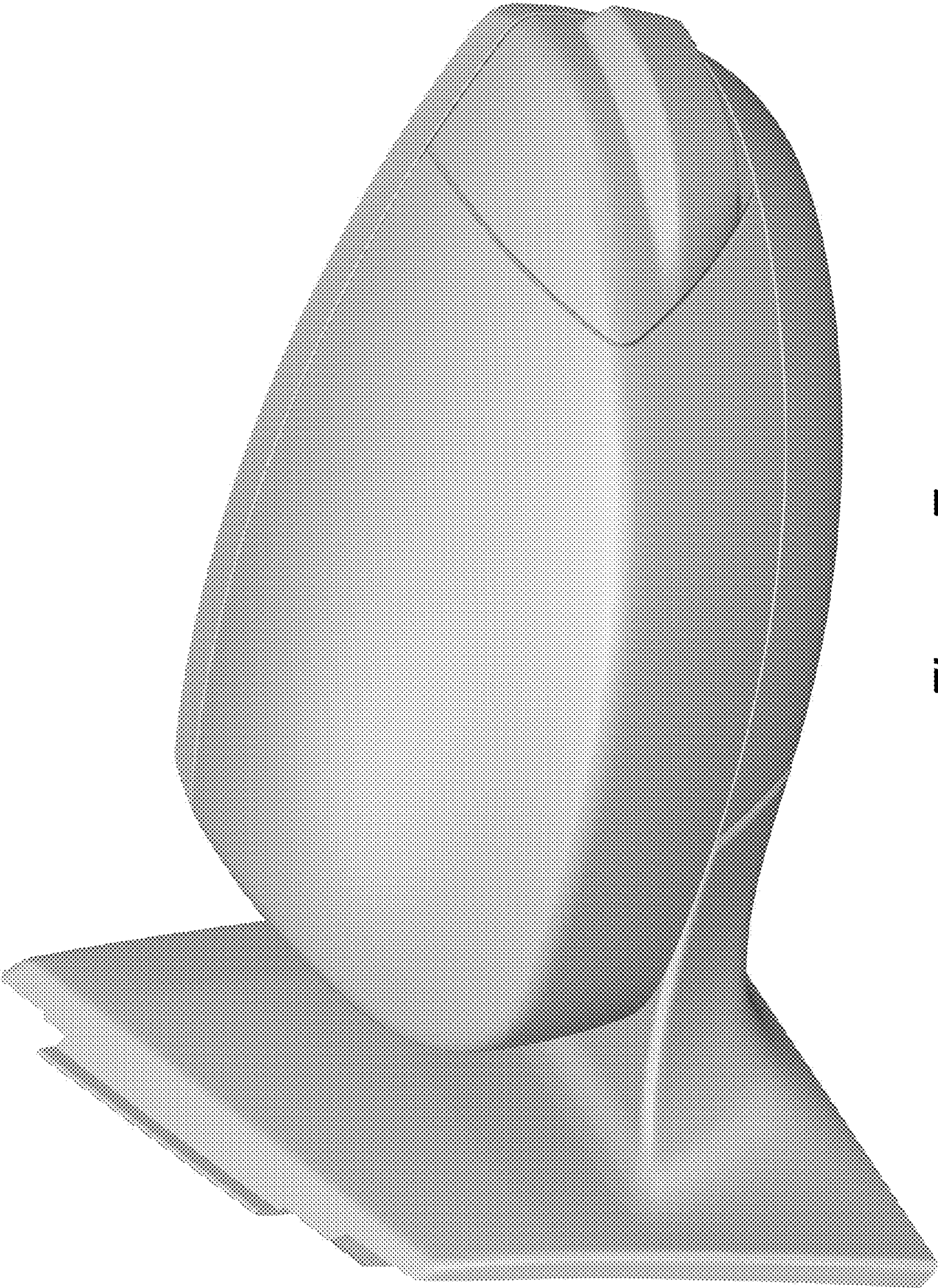


Figure 7



Figure 8

