



US00D636305S

(12) **United States Design Patent**
Alvarez et al.

(10) **Patent No.:** **US D636,305 S**
(45) **Date of Patent:** **** Apr. 19, 2011**

(54) **VEHICLE GRILLE GUARD**
(75) Inventors: **Manuel Alvarez**, Brea, CA (US);
Marcos Alvarez, Brea, CA (US)

D472,854 S * 4/2003 Weber et al. D12/163
6,612,595 B1 9/2003 Storer
D495,979 S * 9/2004 Metros et al. D12/163
7,246,832 B2 * 7/2007 Cobble et al. 293/115

(73) Assignee: **IDDEA, LLC.**, Brea, CA (US)

FOREIGN PATENT DOCUMENTS

(**) Term: **14 Years**

DE 1452956 6/1969
FR 1524296 5/1968
GB 323468 12/1929

(21) Appl. No.: **29/327,256**

OTHER PUBLICATIONS

(22) Filed: **Nov. 3, 2008**

Go Rhino Products, "Catalog 960", 8 pages.

(51) **LOC (9) Cl.** **12-16**

* cited by examiner

(52) **U.S. Cl.** **D12/171**

Primary Examiner — Susan Bennett Hattan

(58) **Field of Classification Search** D12/163,
D12/171; 180/68.6; 293/102, 103, 115,
293/120, 124, 144; 296/191.09, 203.02

Assistant Examiner — Barbara B Lohr

See application file for complete search history.

(74) *Attorney, Agent, or Firm* — Stetina Brunda Garred &
Brucker

(56) **References Cited**

(57) **CLAIM**

U.S. PATENT DOCUMENTS

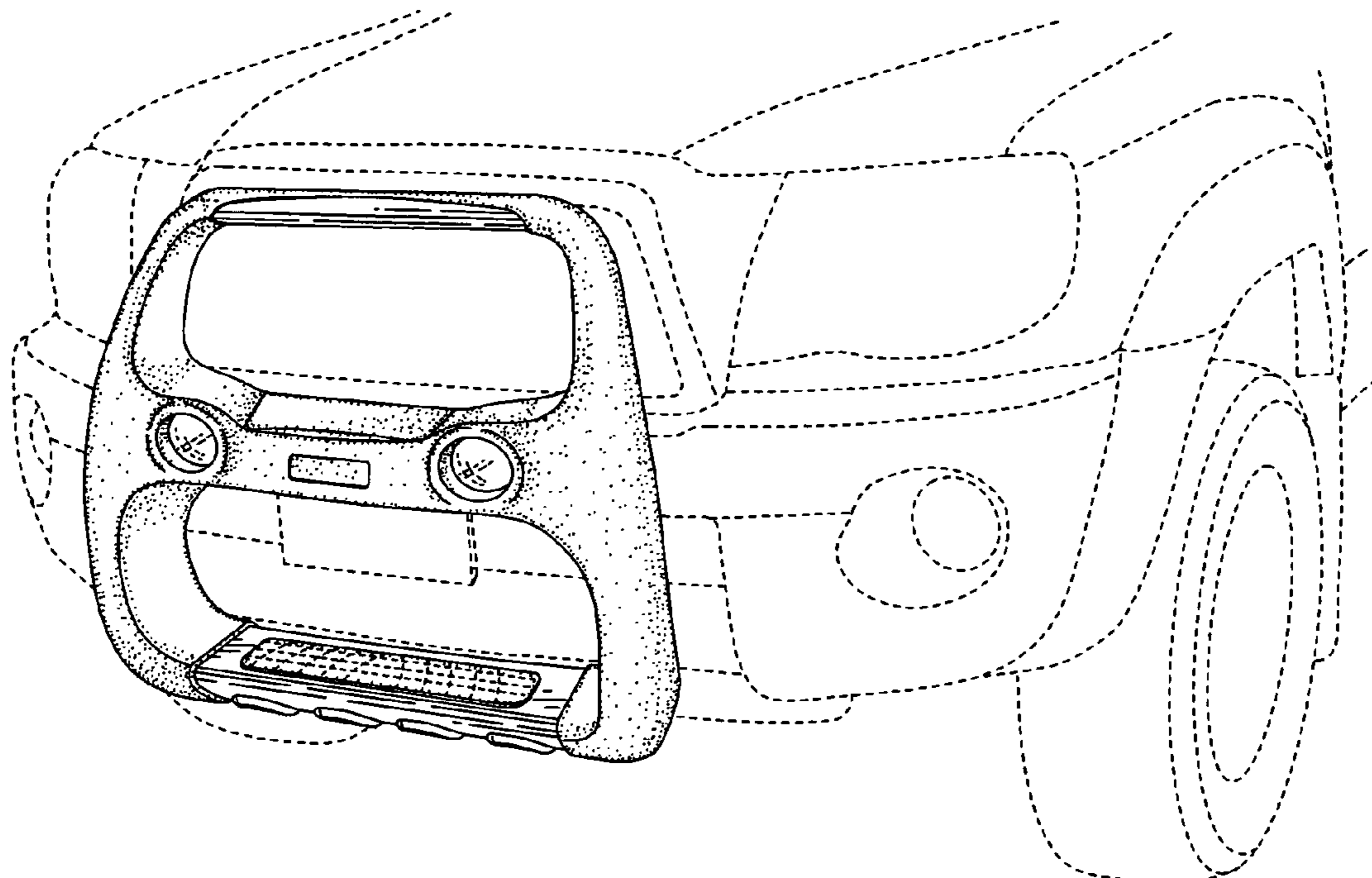
The ornamental design for a vehicle grille guard, as shown
and described.

1,037,122	A	8/1912	Buffinger	
1,688,950	A	10/1928	Wait	
1,911,413	A	5/1933	Wait	
2,649,308	A	8/1953	Bice, Jr.	
2,844,864	A	7/1958	Schilberg	
3,470,598	A	10/1969	Berthelsen	
3,774,952	A	11/1973	Zorn	
4,274,648	A	6/1981	Robins	
4,753,447	A	6/1988	Hall	
4,825,975	A	5/1989	Symes	
4,964,256	A	10/1990	McCracken	
5,067,760	A	11/1991	Moore et al.	
5,139,295	A	8/1992	Escobedo	
5,695,228	A	12/1997	Storer	
5,941,329	A *	8/1999	Ichioka et al.	180/68.6
D425,462	S *	5/2000	Ujiie	D12/171

DESCRIPTION

FIG. 1 is a top perspective view of the vehicle grille guard of the present invention showing our new design with the dotted lines depicting solely environmental structure and forming no part of the claimed design;
FIG. 2 is a front elevational view thereof;
FIG. 3 is a side view thereof;
FIG. 4 is a top plan view thereof; and,
FIG. 5 is a bottom plan view thereof.

1 Claim, 2 Drawing Sheets



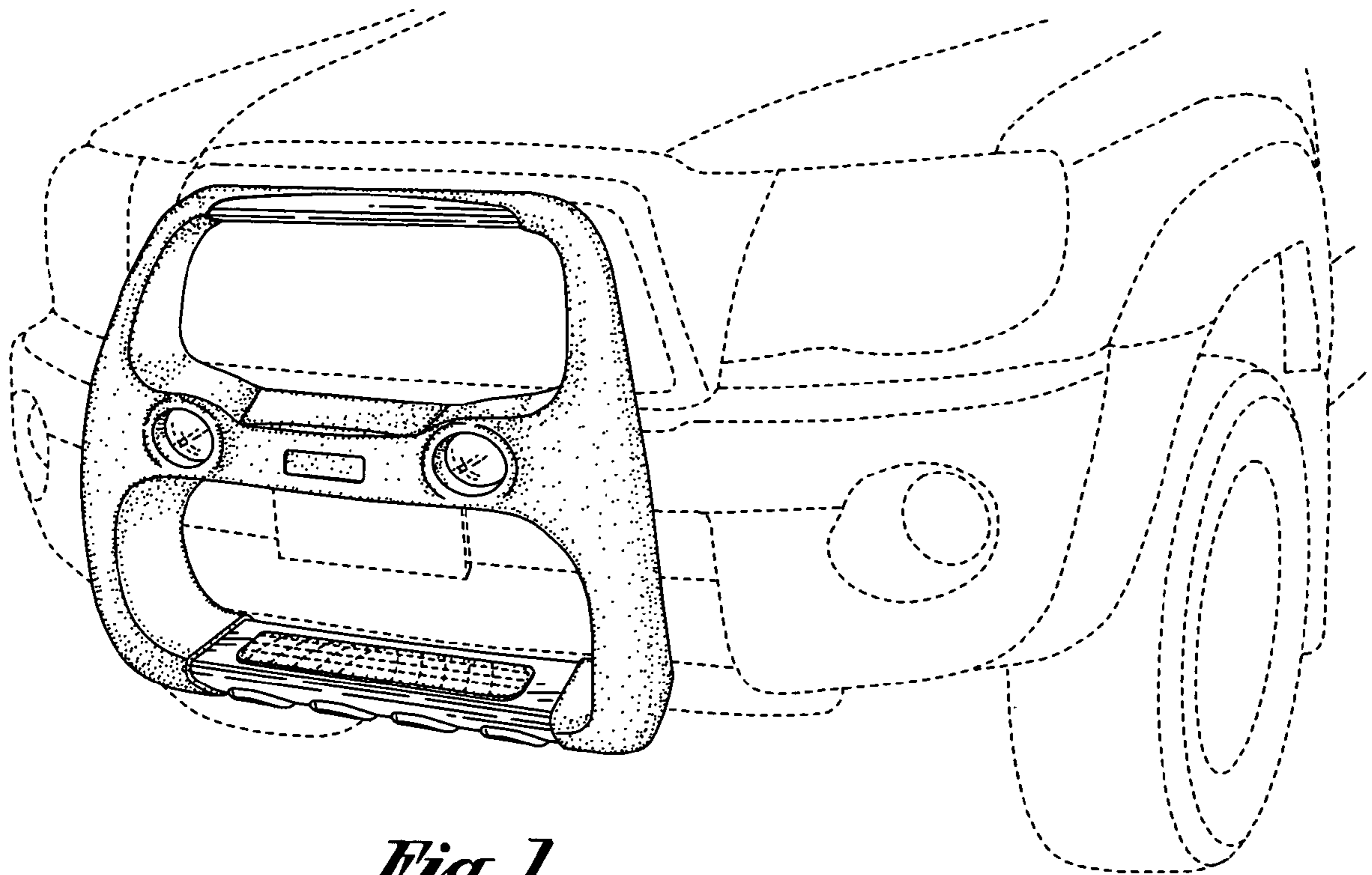


Fig. 1

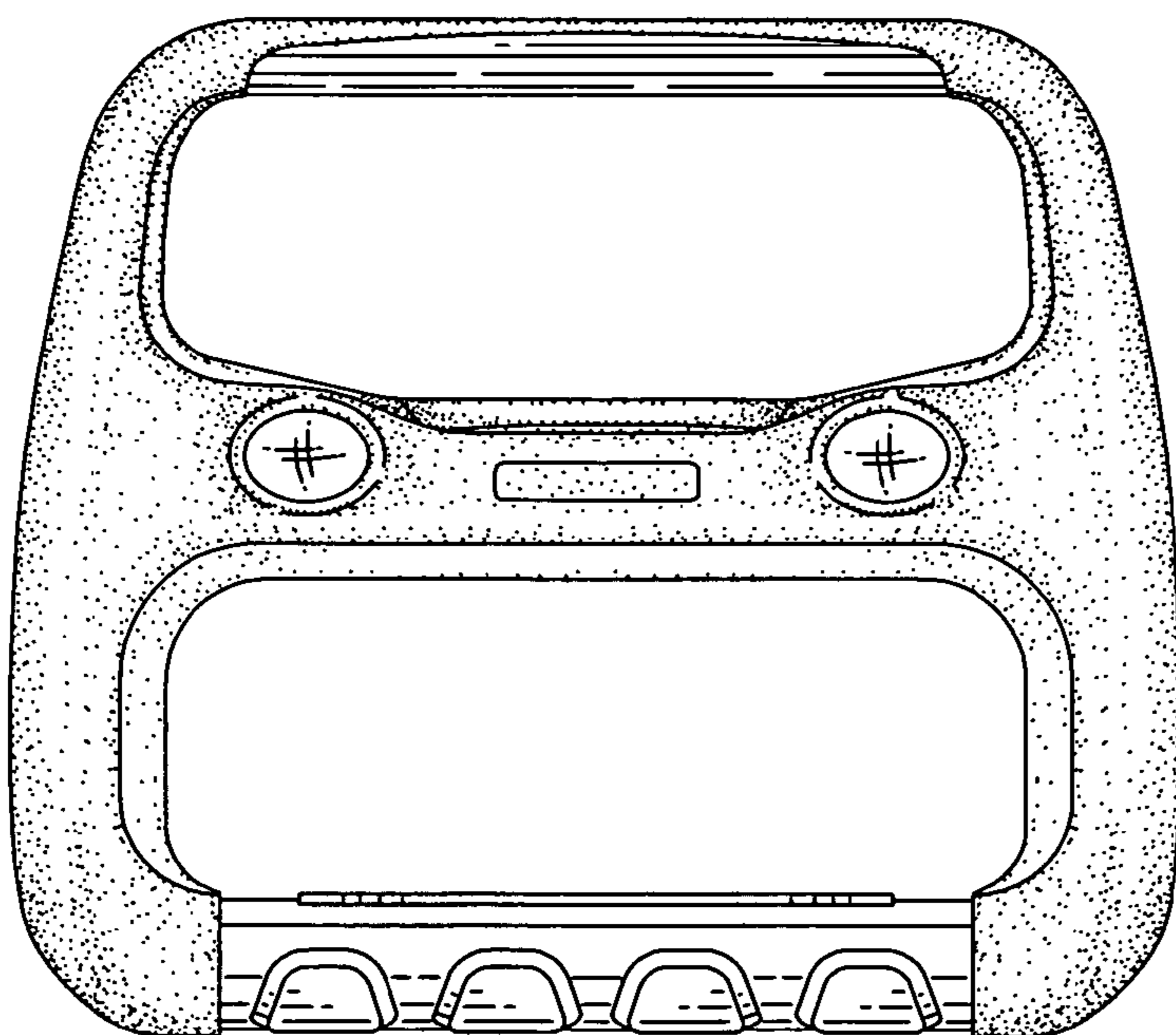


Fig. 2

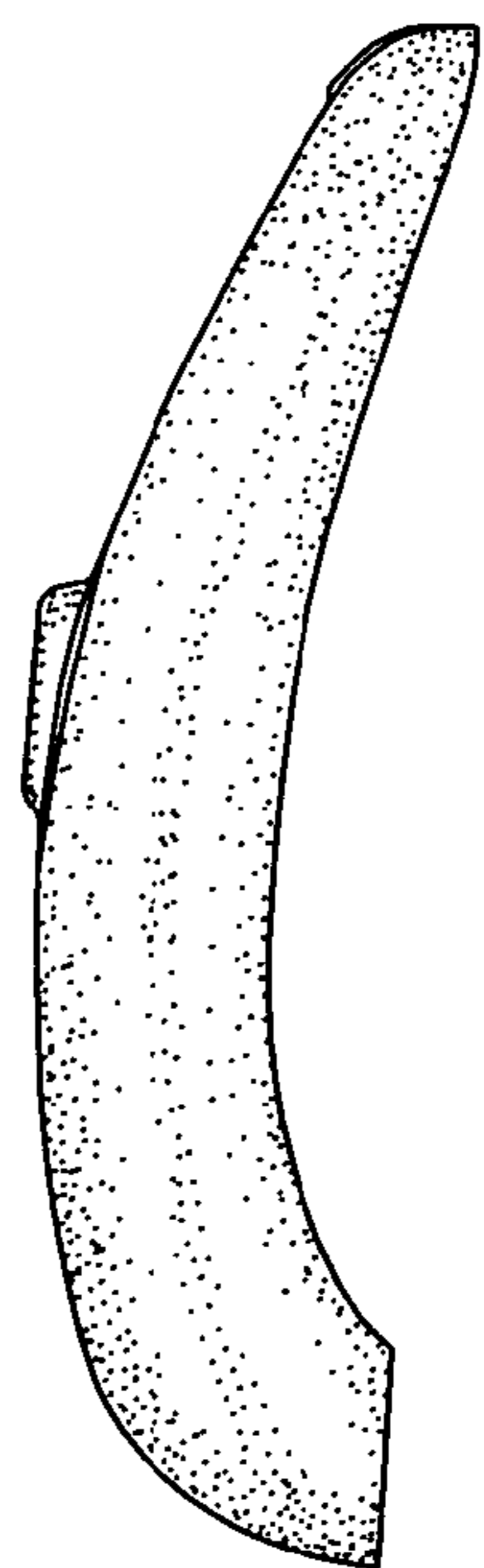


Fig. 3

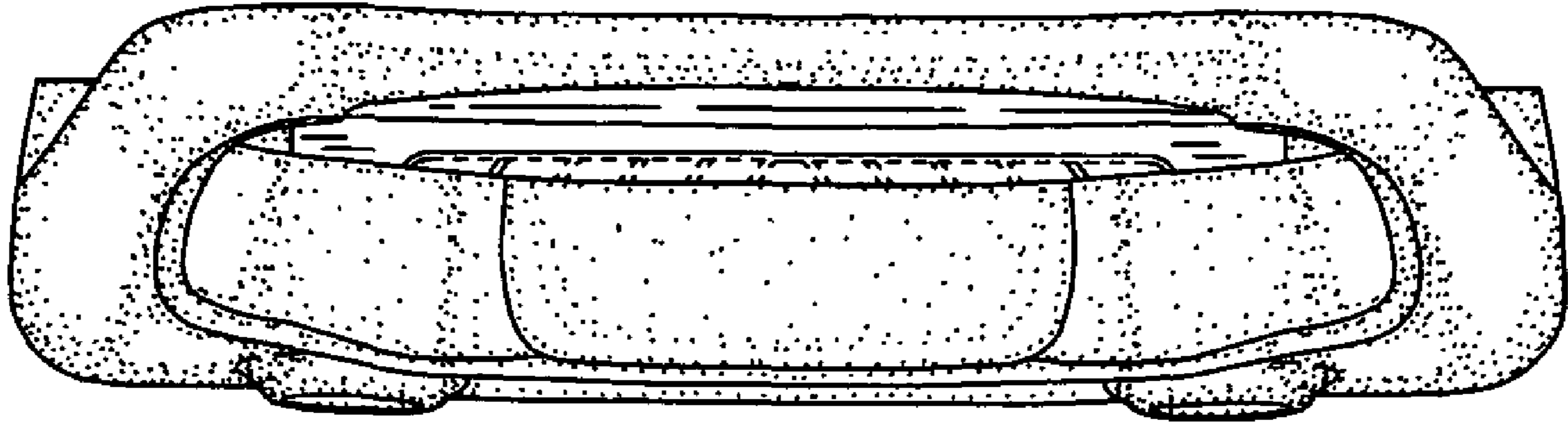


Fig. 4

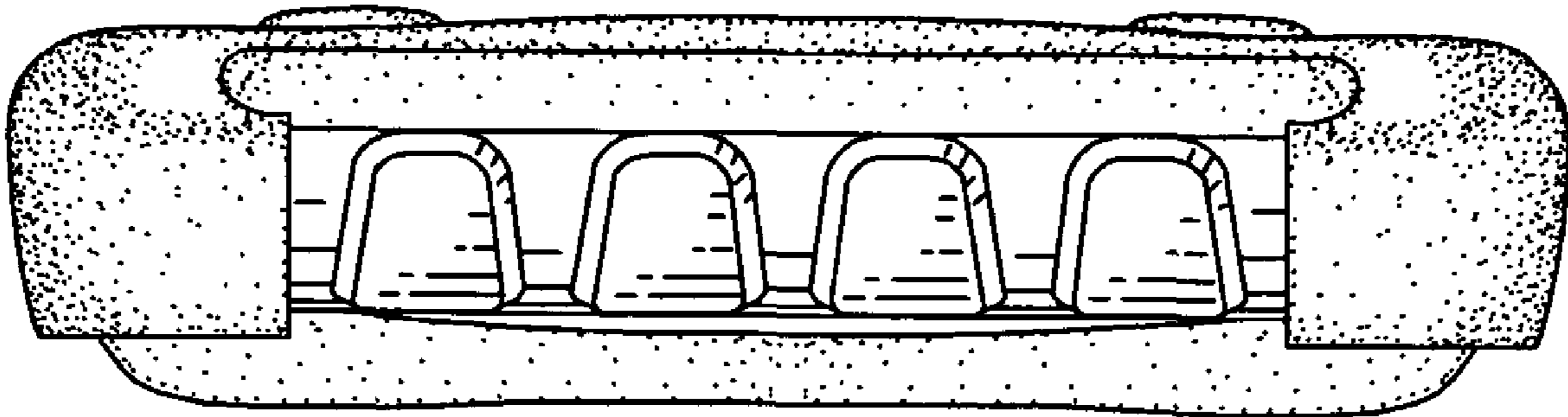


Fig. 5