

US00D636304S

(12) **United States Design Patent**  
**Yamaji et al.**

(10) **Patent No.:** **US D636,304 S**  
(45) **Date of Patent:** **\*\* Apr. 19, 2011**

(54) **FRONT BUMPER FOR AN AUTOMOBILE**

(75) Inventors: **Masayuki Yamaji**, Toyota (JP); **Kenji Kido**, Toyota (JP)

(73) Assignee: **Toyota Jidosha Kabushiki Kaisha** (JP)

(\*\*) Term: **14 Years**

(21) Appl. No.: **29/351,817**

(22) Filed: **Dec. 11, 2009**

(51) **LOC (9) Cl.** ..... **12-16**

(52) **U.S. Cl.** ..... **D12/169**

(58) **Field of Classification Search** ..... D12/169,  
D12/196, 171, 216, 163, 86, 90-92; 293/102,  
293/113, 115, 117, 120; 296/180.1, 180.2  
See application file for complete search history.

(56) **References Cited**

**U.S. PATENT DOCUMENTS**

D580,318 S	*	11/2008	Gueler et al. ....	D12/169
D583,728 S	*	12/2008	Tonello .....	D12/169
D588,053 S	*	3/2009	Woolley et al. ....	D12/169
D588,508 S	*	3/2009	Woolley et al. ....	D12/169
D614,546 S	*	4/2010	Bennett et al. ....	D12/169

**OTHER PUBLICATIONS**

Toyota Estima, Brochure of Estima, Toyota, Jun. 2007.

\* cited by examiner

*Primary Examiner* — Melody N Brown

(74) *Attorney, Agent, or Firm* — SAIDMAN DesignLaw Group

(57) **CLAIM**

The ornamental design for a front bumper for an automobile, as shown and described.

**DESCRIPTION**

FIG. 1 is a perspective view of a front bumper for an automobile showing our new design; FIG. 2 is a front view thereof; FIG. 3 is a top view thereof; FIG. 4 is a bottom view thereof; and, FIG. 5 is a left-side view thereof, with the right-side being a mirror image.

**1 Claim, 2 Drawing Sheets**

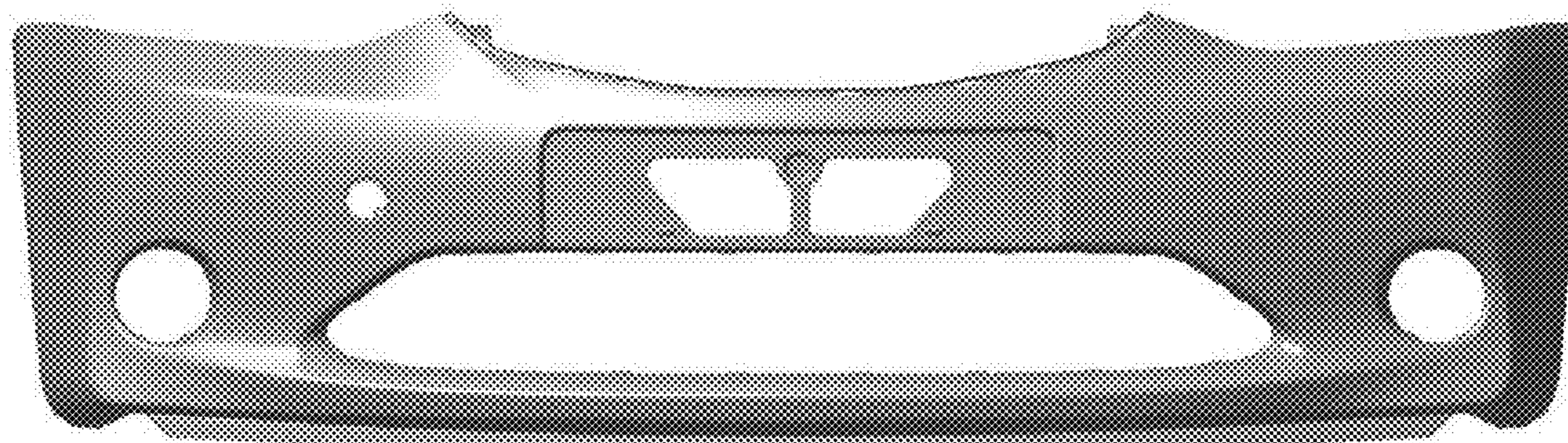


Fig. 1

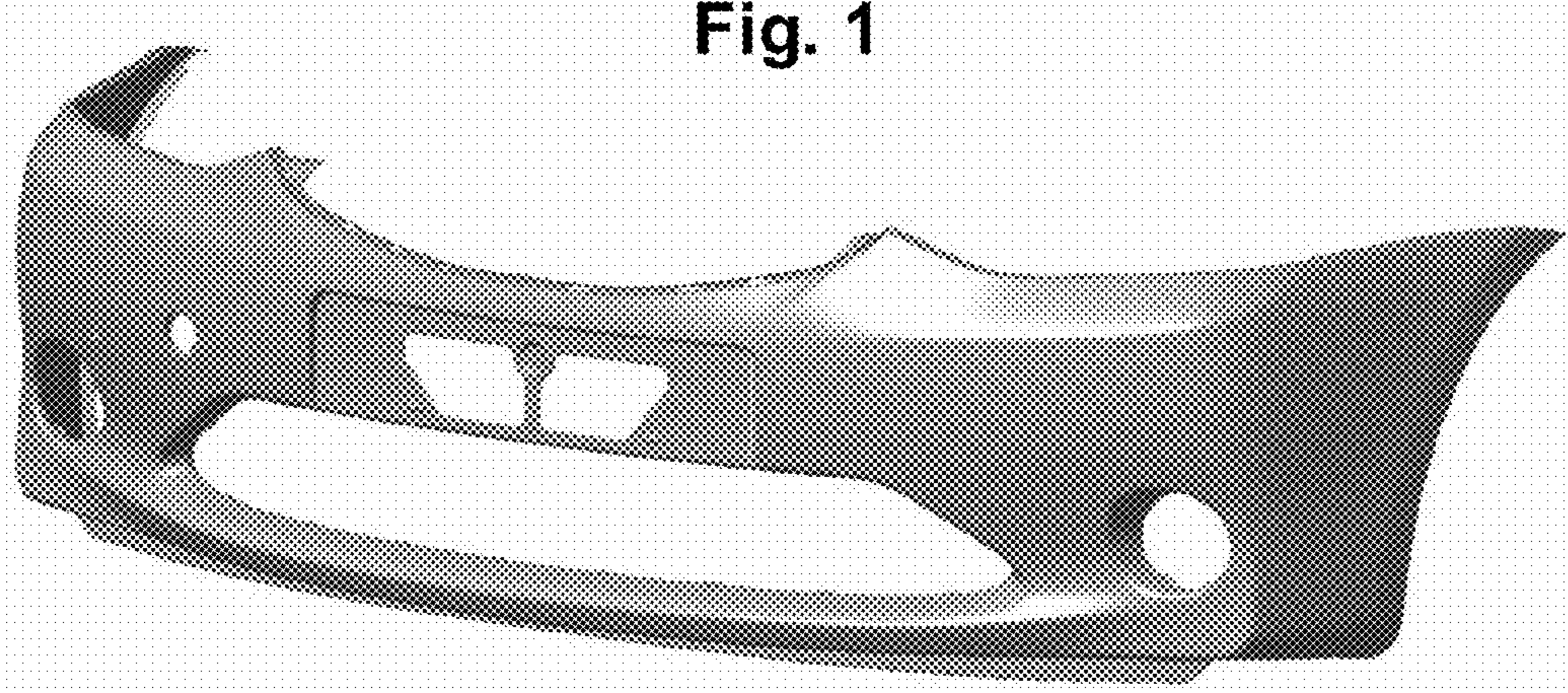


Fig. 2

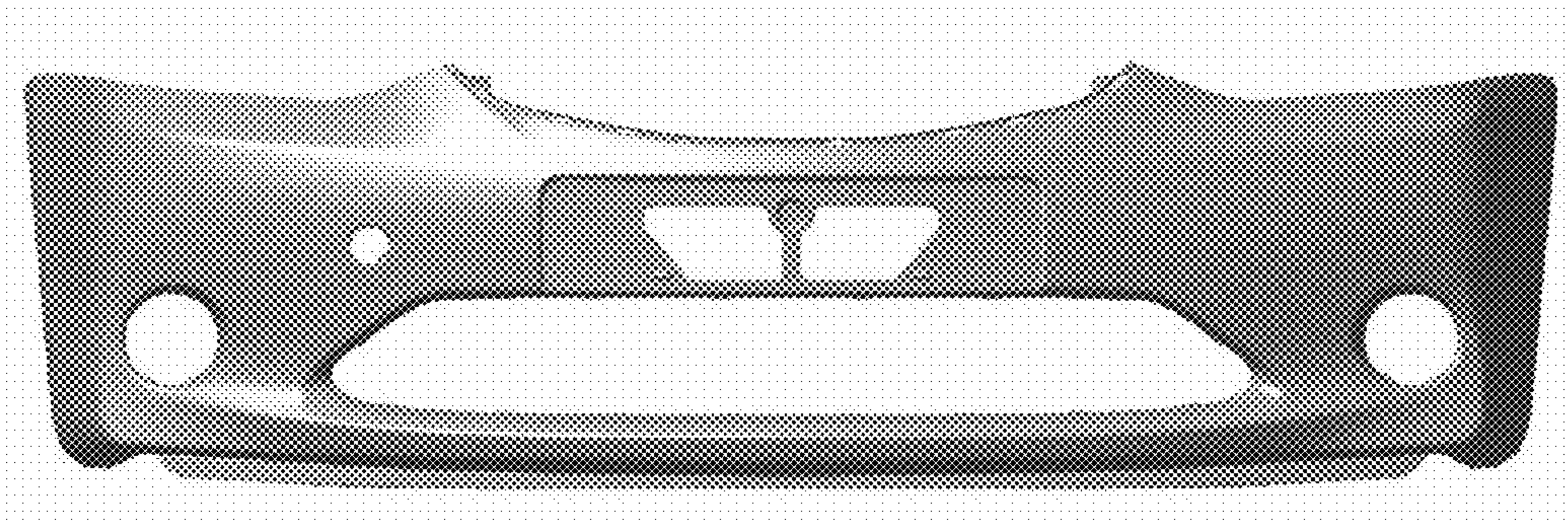
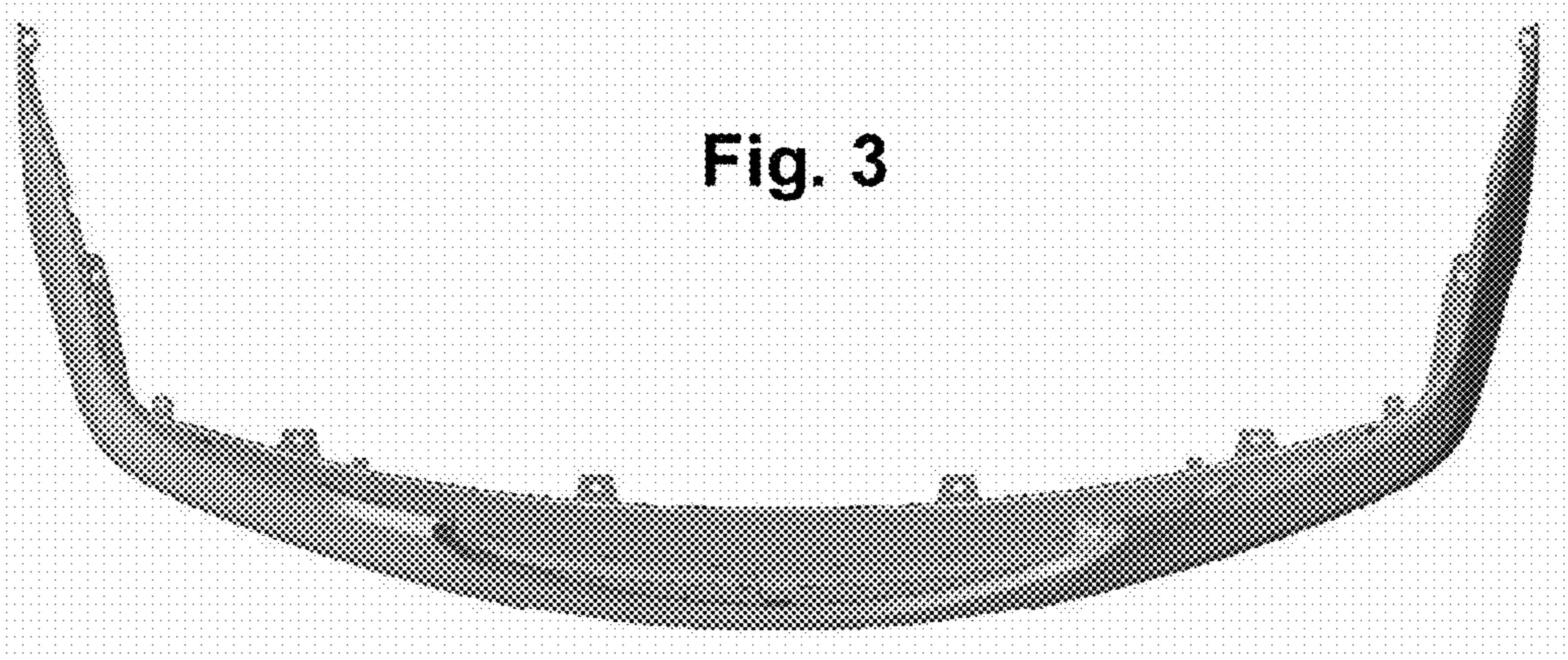
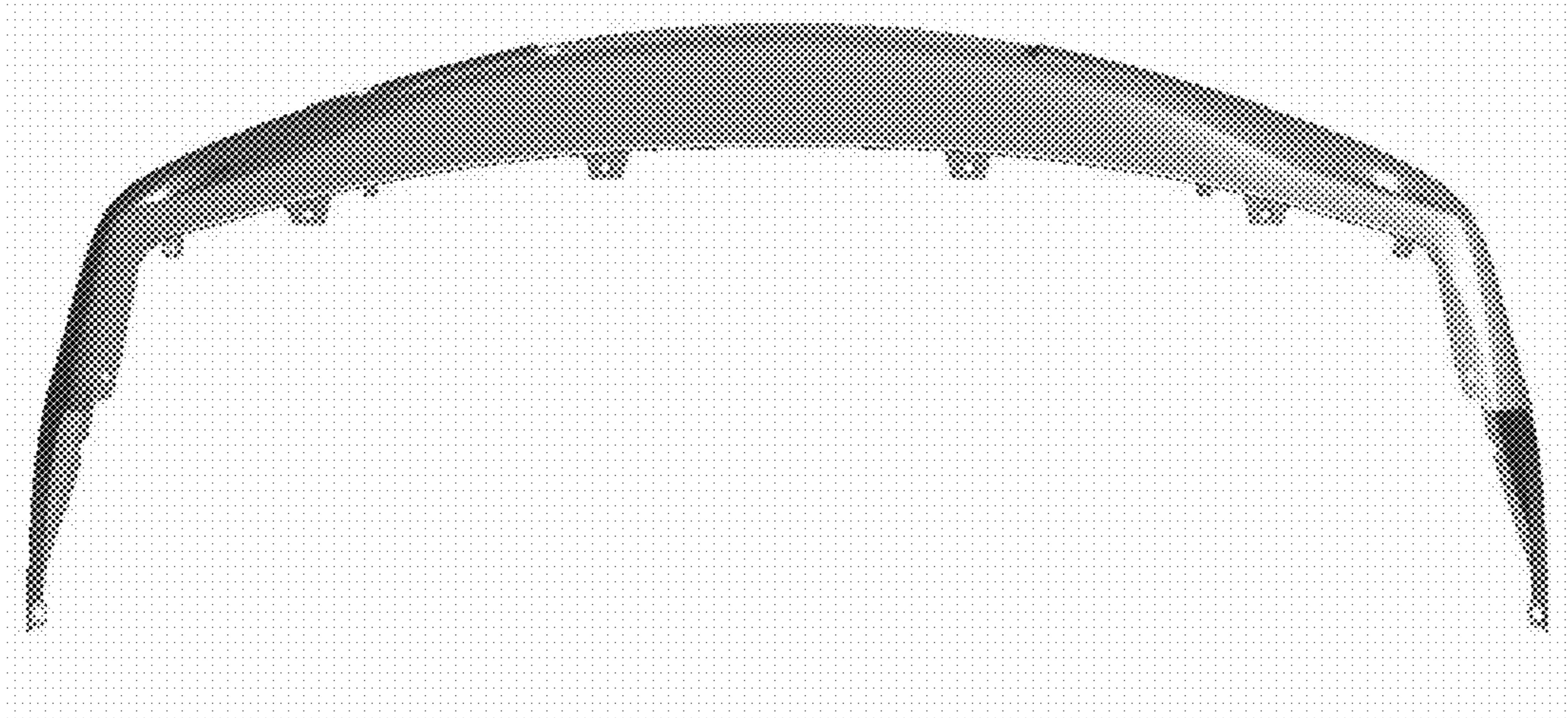


Fig. 3



**Fig. 4**



**Fig. 5**

