



US00D636301S

(12) **United States Design Patent**  
**Dammacco**

(10) **Patent No.:** **US D636,301 S**  
(45) **Date of Patent:** **\*\* Apr. 19, 2011**

(54) **STROLLER SIDE CADDY**

(76) Inventor: **Jo-Ann Dammacco**, Massapequa, NY  
(US)

(\*\*) Term: **14 Years**

(21) Appl. No.: **29/346,735**

(22) Filed: **Nov. 5, 2009**

(51) **LOC (9) Cl.** ..... **12-12**

(52) **U.S. Cl.** ..... **D12/133**

(58) **Field of Classification Search** ..... D12/128-133;  
D6/360, 367; 280/62, 647-650, 29, 200,  
280/47.38, 250.1, 259, 642, 658; 297/DIG. 4;  
296/65.03, 65.04; 224/409; D21/425, 426;  
D34/17, 18

See application file for complete search history.

(56) **References Cited**

**U.S. PATENT DOCUMENTS**

2,418,717	A *	4/1947	Machado	.....	224/409
2,635,797	A *	4/1953	Siebert	.....	224/409
2,911,130	A *	11/1959	Kitazono	.....	224/409
3,168,328	A *	2/1965	Hill, Sr.	.....	280/641
4,577,903	A *	3/1986	Wells	.....	297/188.06
D330,178	S *	10/1992	Trigger	.....	D12/133
D340,012	S *	10/1993	Azzarelli	.....	D12/133
5,704,527	A *	1/1998	Struzer	.....	224/547

5,741,021	A *	4/1998	Saint et al.	.....	280/47.38
6,152,340	A *	11/2000	Chen et al.	.....	224/409
6,155,592	A	12/2000	Hsia		
D470,084	S *	2/2003	Schlough et al.	.....	D12/129
7,226,059	B1	6/2007	Samuels		

\* cited by examiner

*Primary Examiner* — Ian Simmons

*Assistant Examiner* — Charles D Hanson

(74) *Attorney, Agent, or Firm* — Dale J. Ream

(57) **CLAIM**

The ornamental design for a stroller side caddy, as shown and described.

**DESCRIPTION**

FIG. 1 is a perspective view of a stroller side caddy showing my new design;

FIG. 2 is a front view thereof;

FIG. 3 is a back view thereof;

FIG. 4 is a right side view thereof;

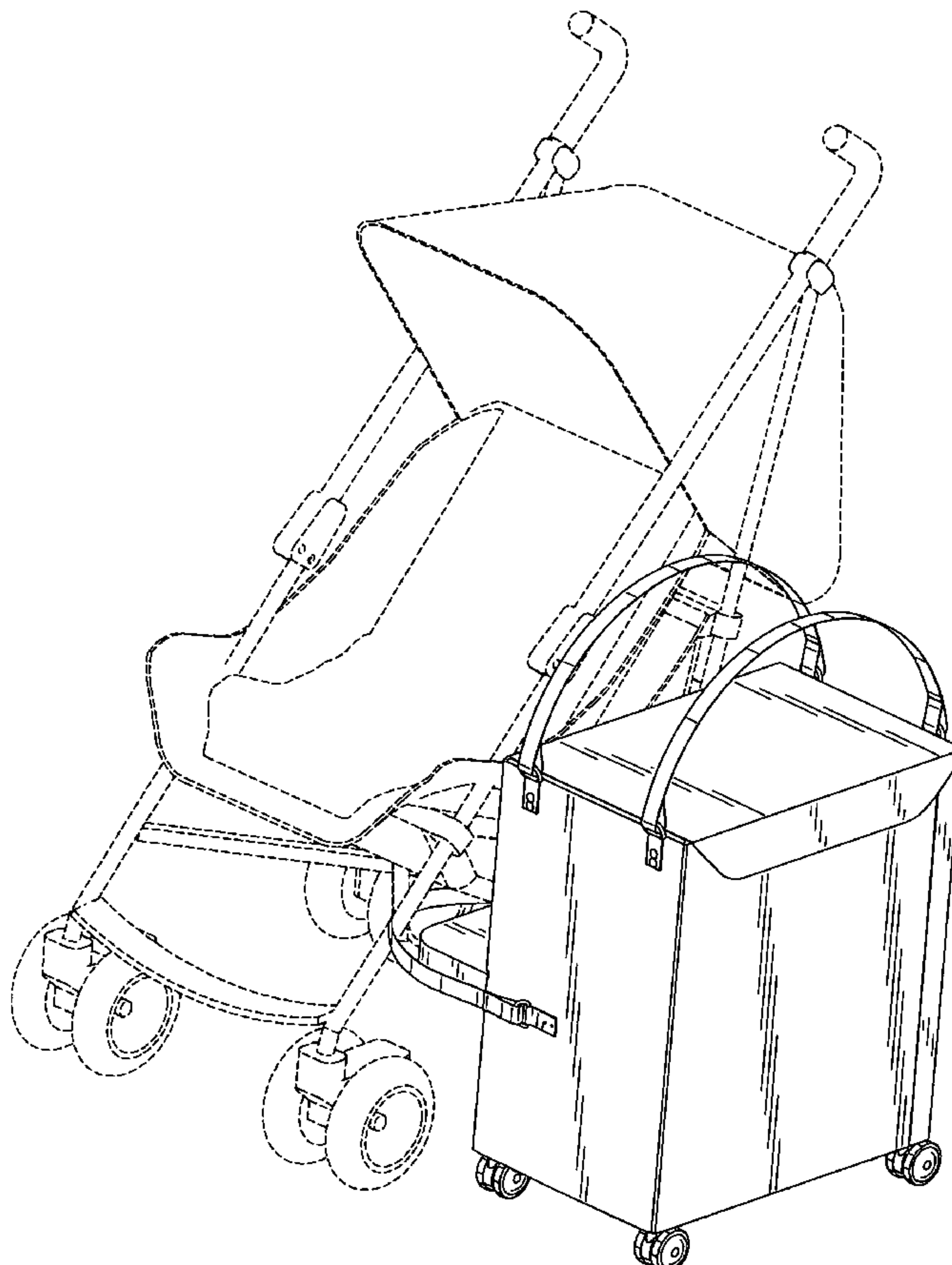
FIG. 5 is a left side view thereof;

FIG. 6 is a top view thereof; and,

FIG. 7 is a bottom view thereof.

The broken line showing of the stroller is included for the purpose of illustrating environment and forms no part of the claimed design.

**1 Claim, 7 Drawing Sheets**



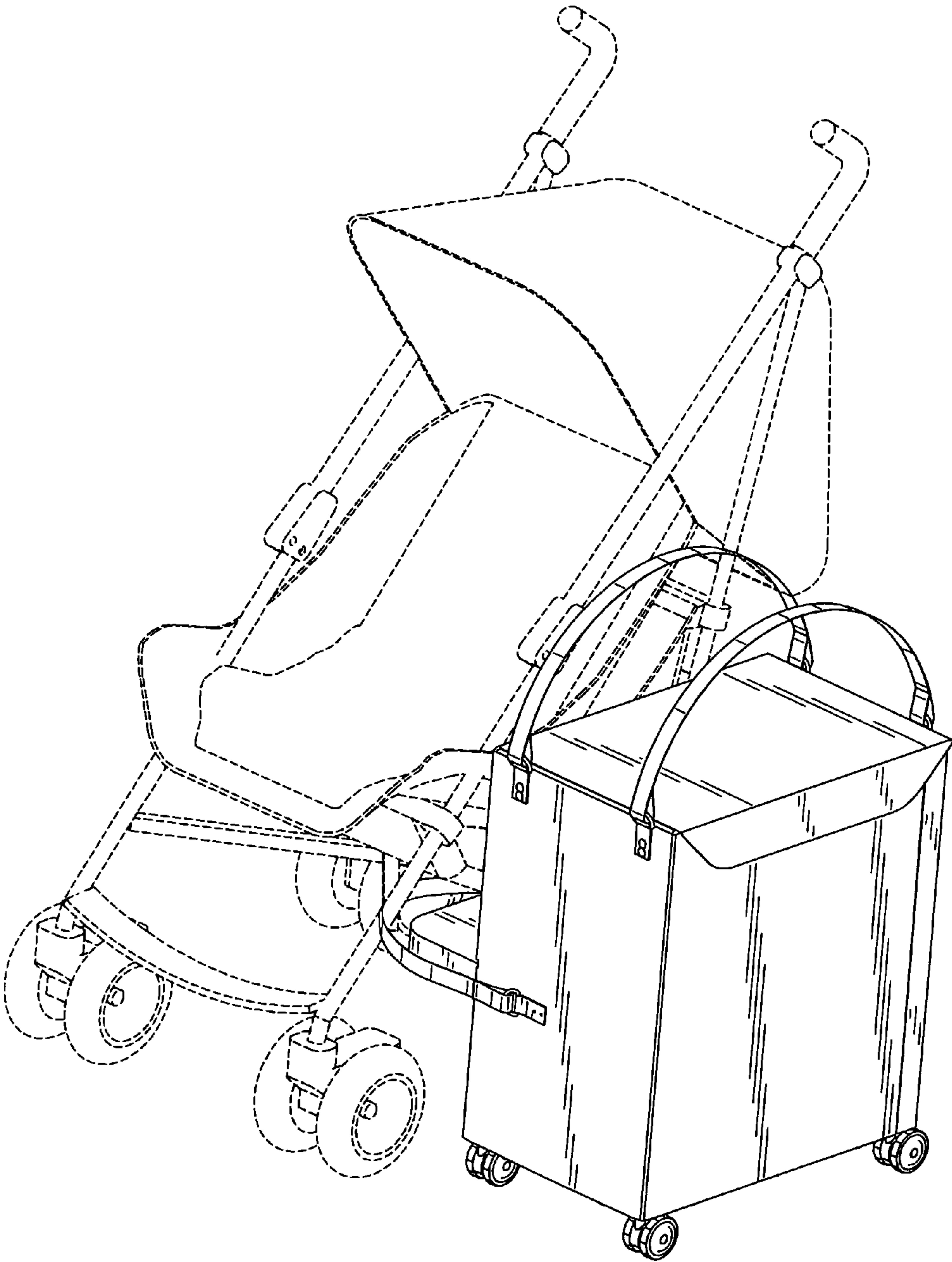


FIG. 1

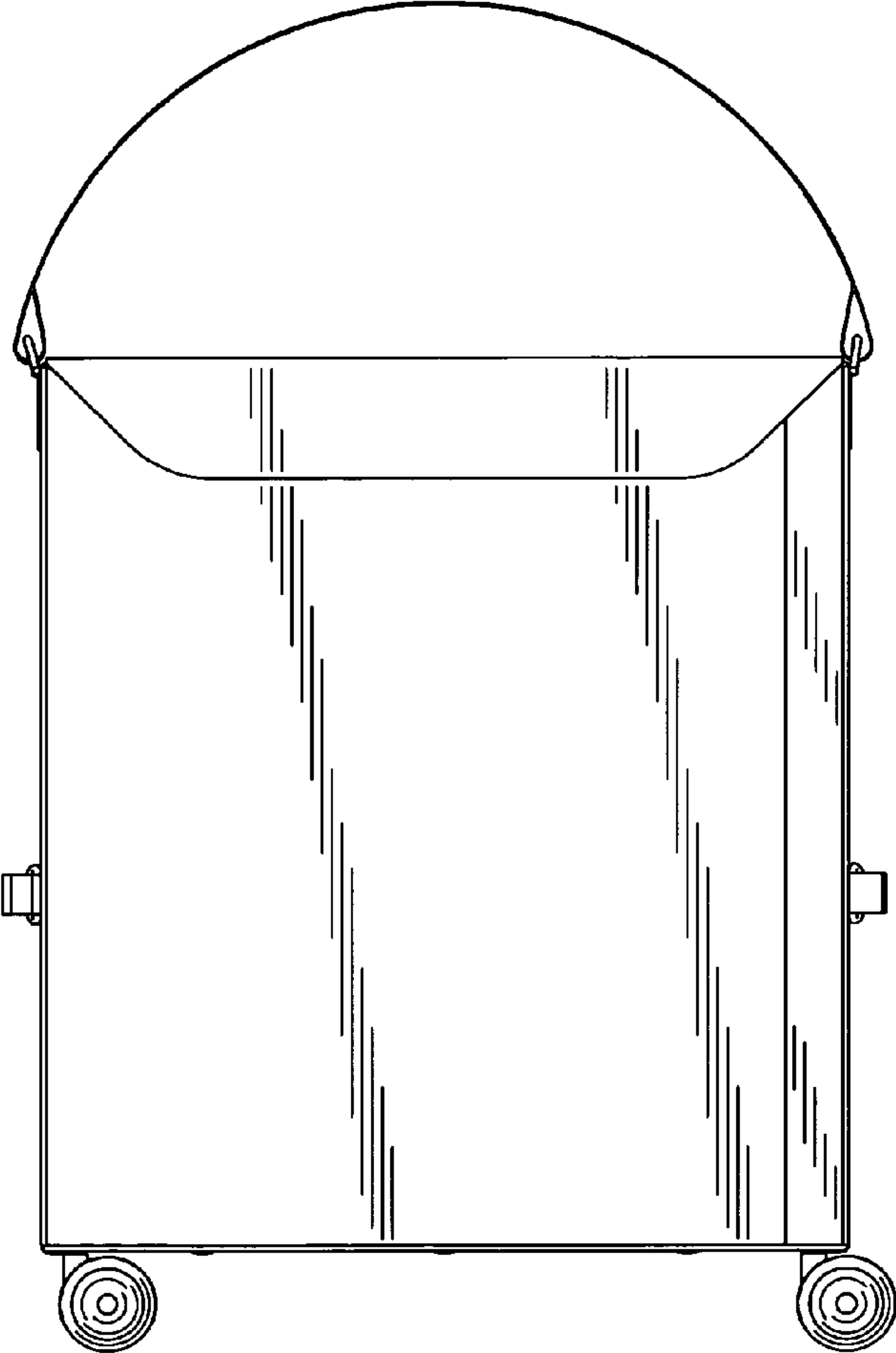


FIG. 2

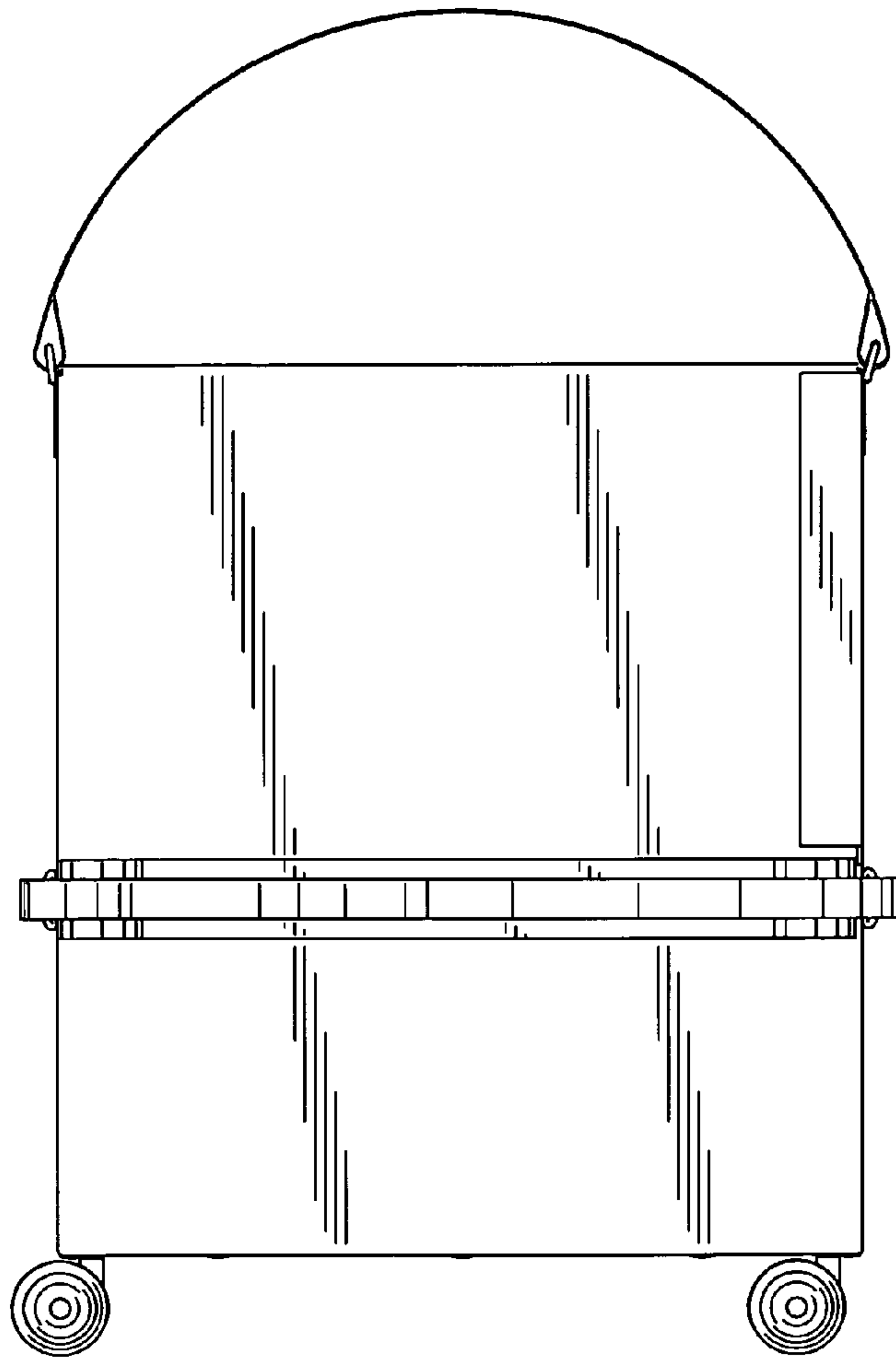


FIG. 3

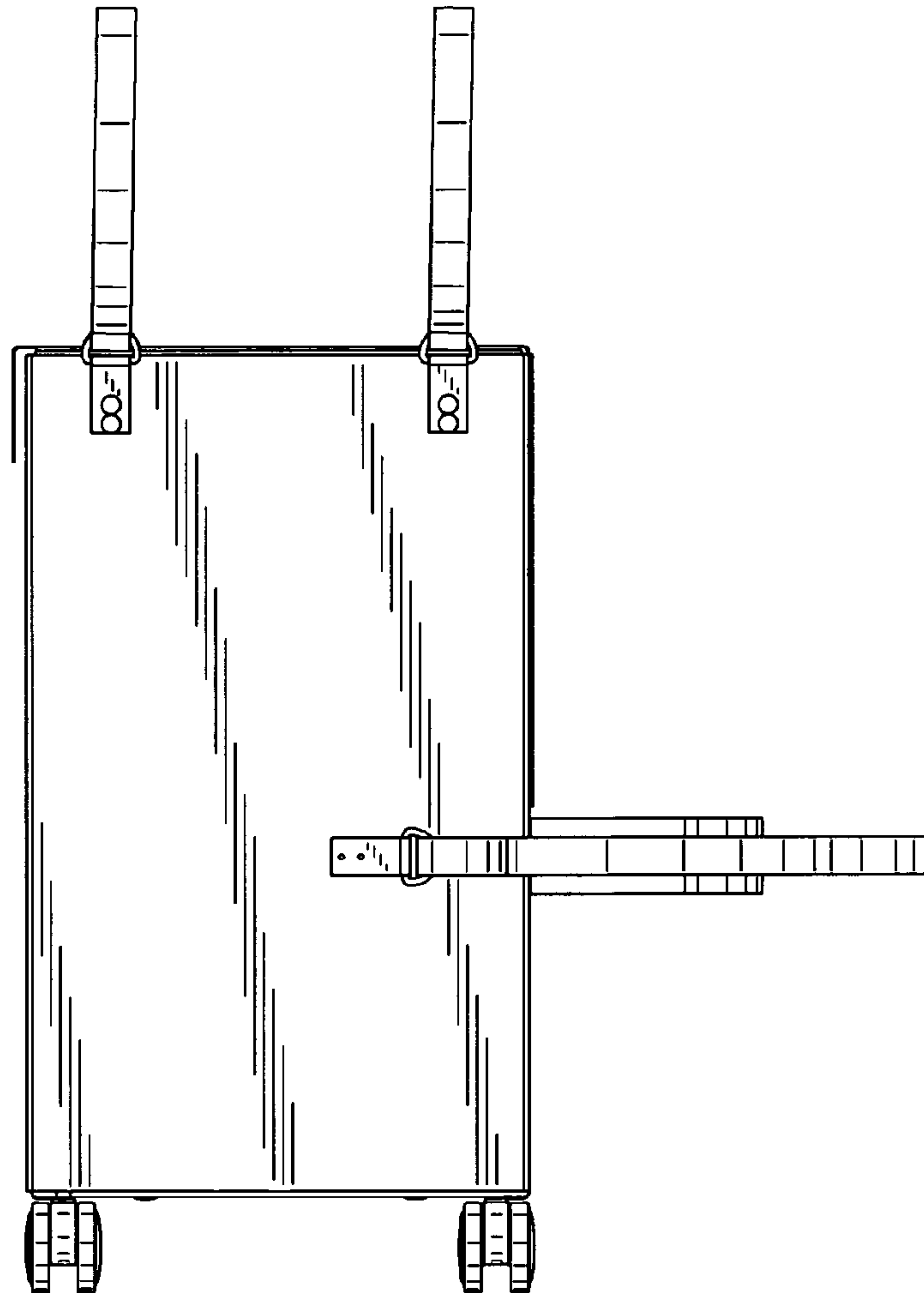


FIG. 4

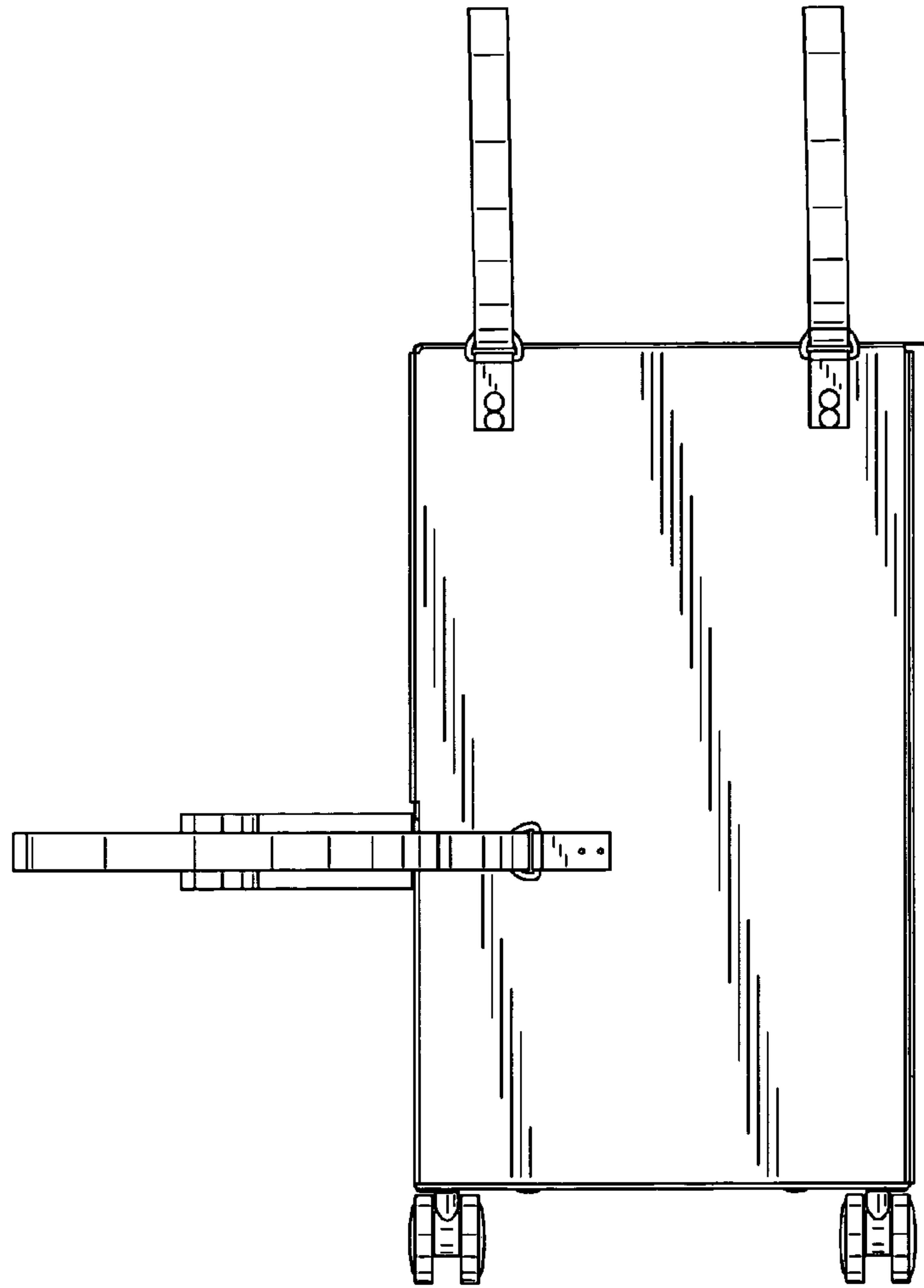


FIG. 5

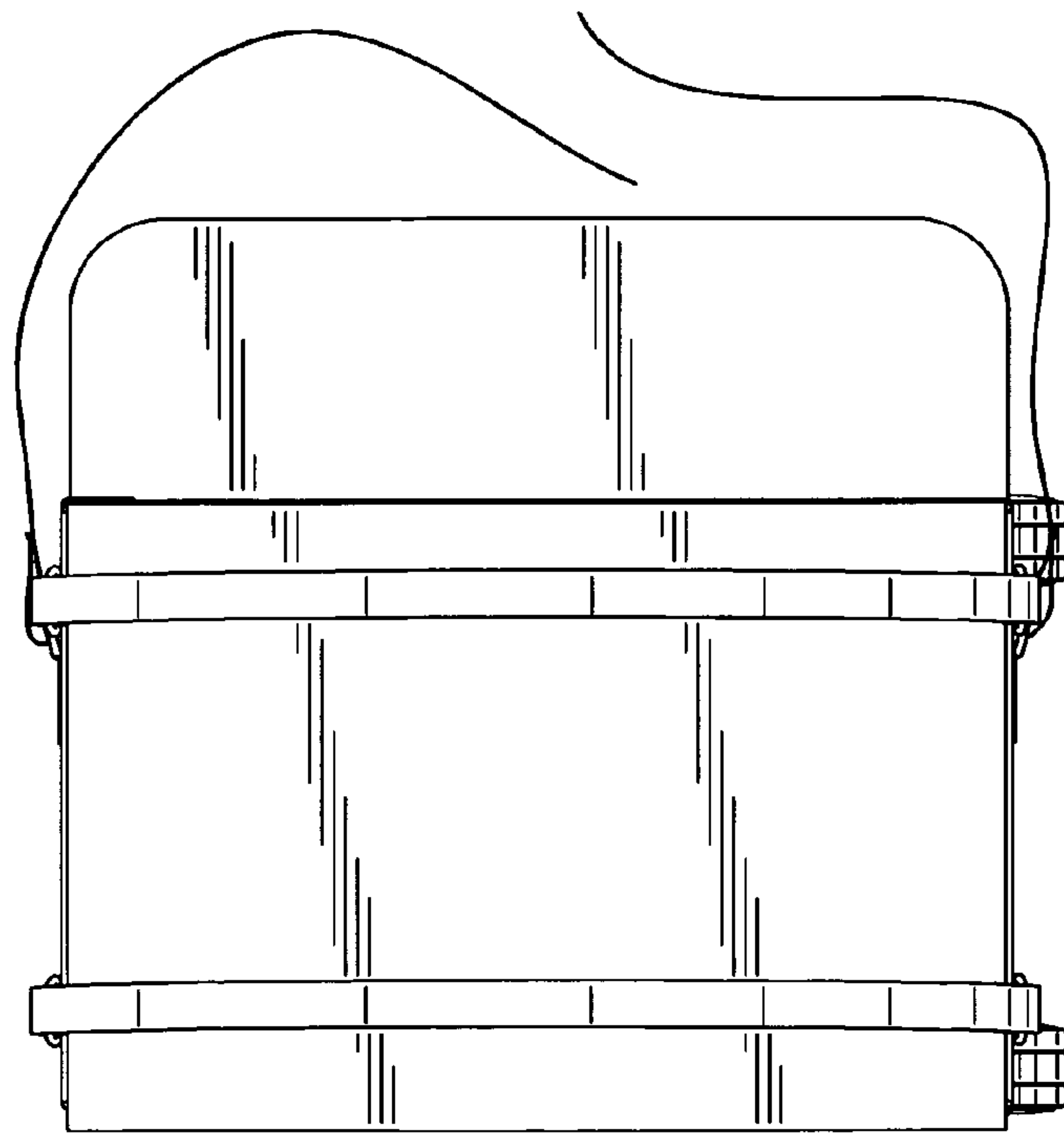


FIG. 6

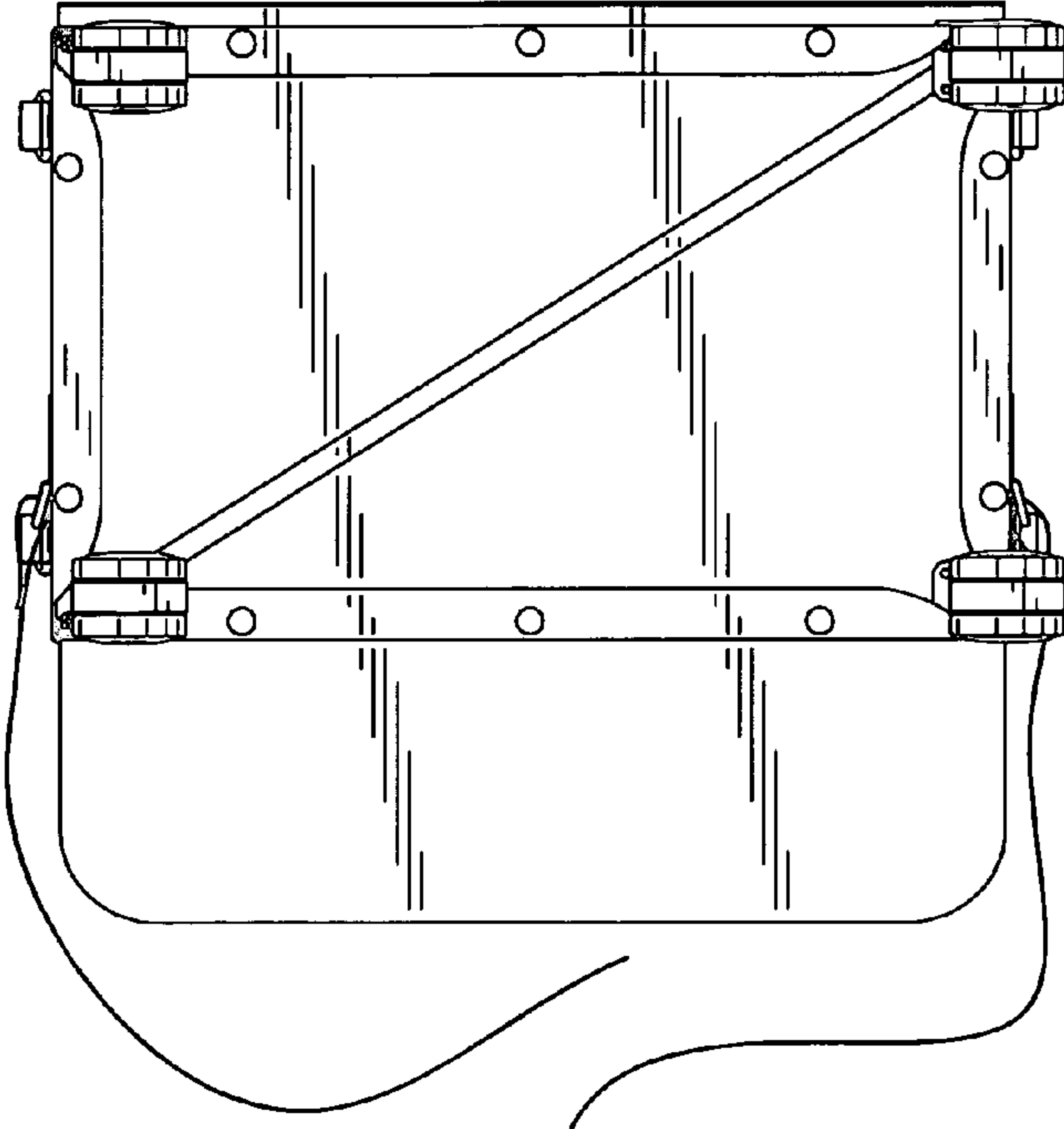


FIG. 7