



US00D636299S

(12) **United States Design Patent**  
**Knopf**

(10) **Patent No.:** **US D636,299 S**

(45) **Date of Patent:** **\*\* Apr. 19, 2011**

(54) **WHEELCHAIR CASTER STRUT**

(76) Inventor: **Michael Knopf**, Dielheim (DE)

(\*\*) Term: **14 Years**

(21) Appl. No.: **29/341,286**

(22) Filed: **Aug. 3, 2009**

(30) **Foreign Application Priority Data**

Feb. 3, 2009 (EM) ..... 001080733

(51) **LOC (9) Cl.** ..... **12-12**

(52) **U.S. Cl.** ..... **D12/133**

(58) **Field of Classification Search** ..... D12/128-133;  
D6/360, 367; 280/62, 647-650, 29, 200,  
280/47.38, 250.1, 259, 642, 658; 297/DIG. 4;  
296/65.03, 65.04; 224/409; D21/425, 426;  
D34/17, 18

See application file for complete search history.

(56) **References Cited**

**U.S. PATENT DOCUMENTS**

1,509,022	A *	9/1924	Noble	.....	403/344
4,840,390	A *	6/1989	Lockard et al.	.....	280/250.1
D357,217	S *	4/1995	Shirley	.....	D12/133
5,722,676	A *	3/1998	Wu	.....	280/250.1
D395,854	S *	7/1998	Hernandez et al.	.....	D12/131
D413,555	S *	9/1999	Hernandez et al.	.....	D12/133
D413,842	S *	9/1999	Garven, Jr.	.....	D12/133
D423,994	S *	5/2000	Helwig	.....	D12/133
D433,968	S *	11/2000	Mascari et al.	.....	D12/133

6,179,321	B1 *	1/2001	Sun	.....	280/658
6,382,652	B1 *	5/2002	Cheng	.....	280/293
D480,195	S *	9/2003	Koerlin et al.	.....	D34/27
D495,629	S *	9/2004	Chelgren	.....	D12/133
D506,419	S *	6/2005	Coster	.....	D12/133
D526,950	S *	8/2006	Bareket	.....	D12/223
7,222,921	B2 *	5/2007	Farnella et al.	.....	297/423.26
D573,861	S *	7/2008	Hammer et al.	.....	D8/72
7,520,518	B2 *	4/2009	Peterson et al.	.....	280/250.1
D627,271	S *	11/2010	Knopf	.....	D12/133

\* cited by examiner

*Primary Examiner* — Ian Simmons

*Assistant Examiner* — Charles D Hanson

(57) **CLAIM**

The ornamental design for a wheelchair caster strut, as shown and described.

**DESCRIPTION**

FIG. 1 is a left side perspective view of a wheelchair caster strut showing my new design;

FIG. 2 is a bottom view thereof;

FIG. 3 is an enlarged right side perspective view according to the design;

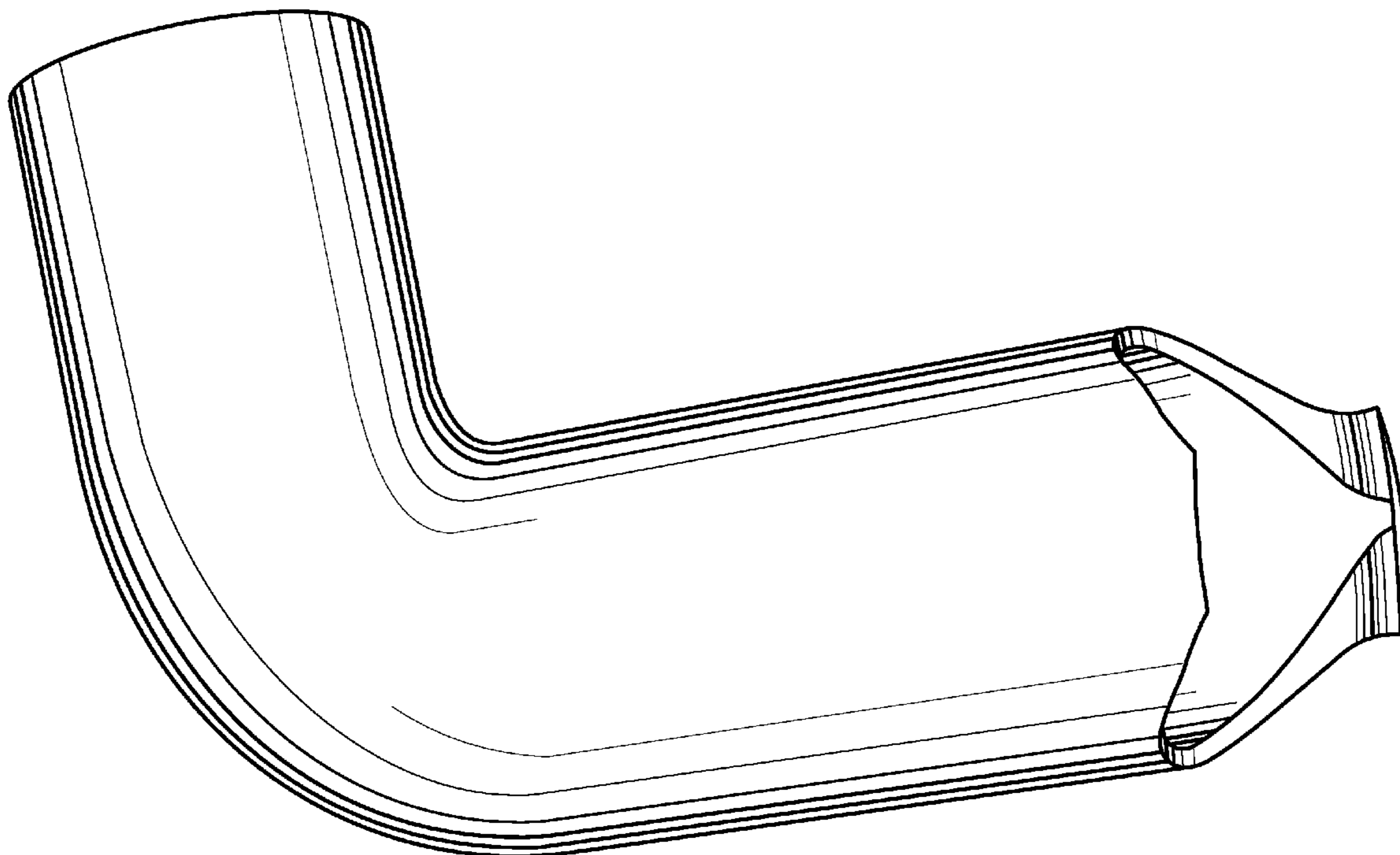
FIG. 4 is a front perspective view thereof;

FIG. 5 is an enlarged left side perspective view according to the design; and,

FIG. 6 is an enlarged front side perspective view thereof.

The claimed design comprises a caster strut. The other portions of the wheelchair, shown in dotted lines, form no part of the claimed design.

**1 Claim, 6 Drawing Sheets**



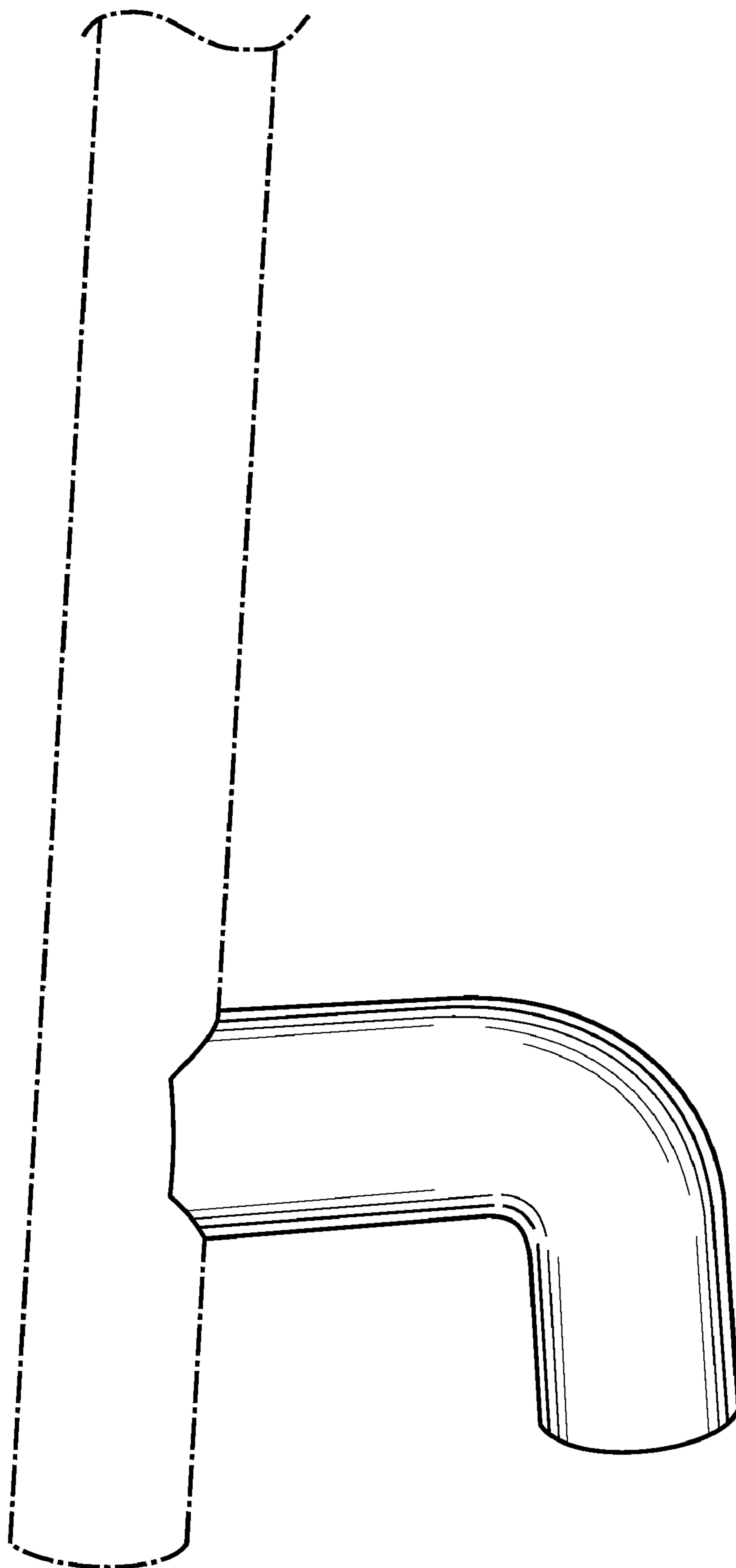


FIG. 1

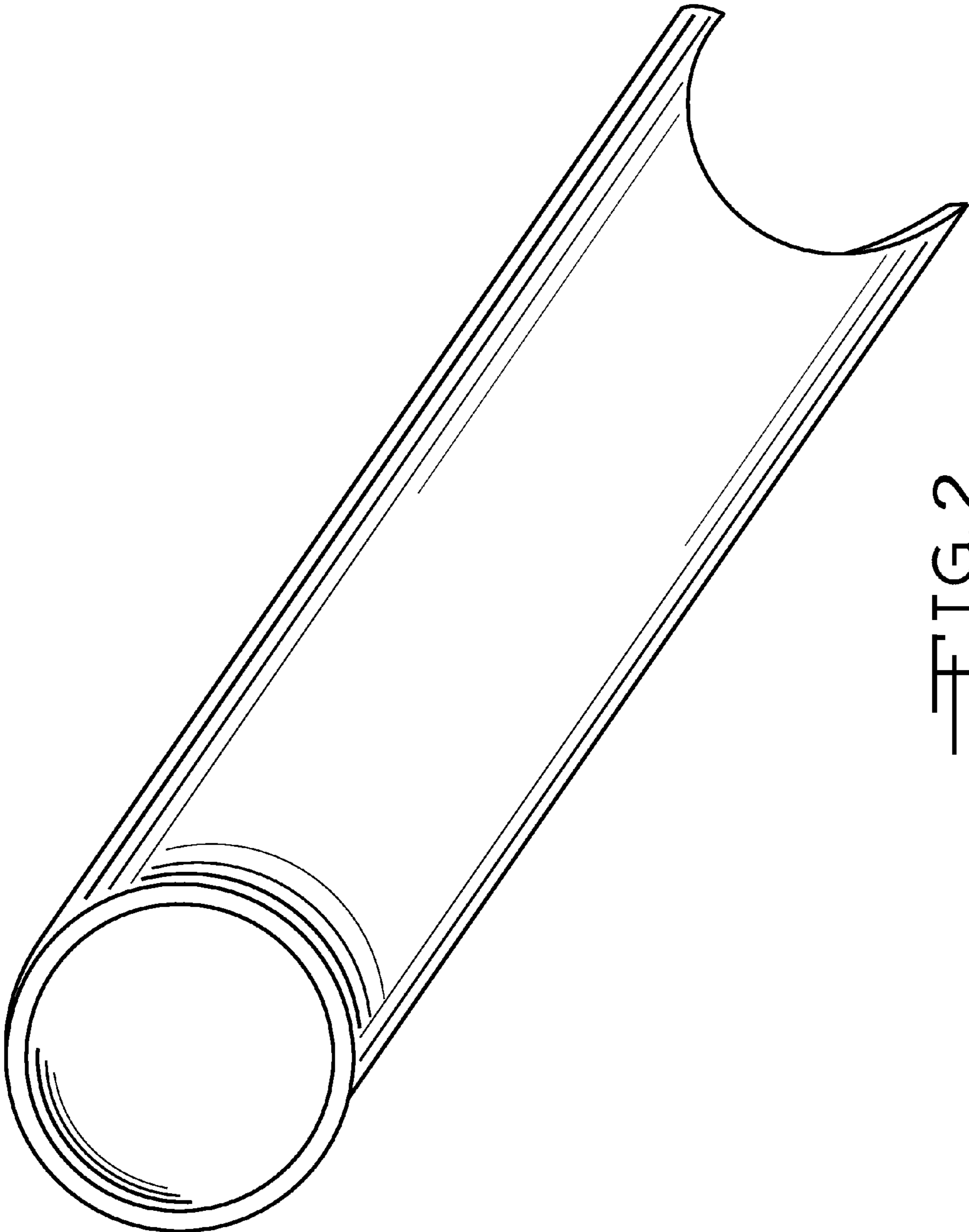
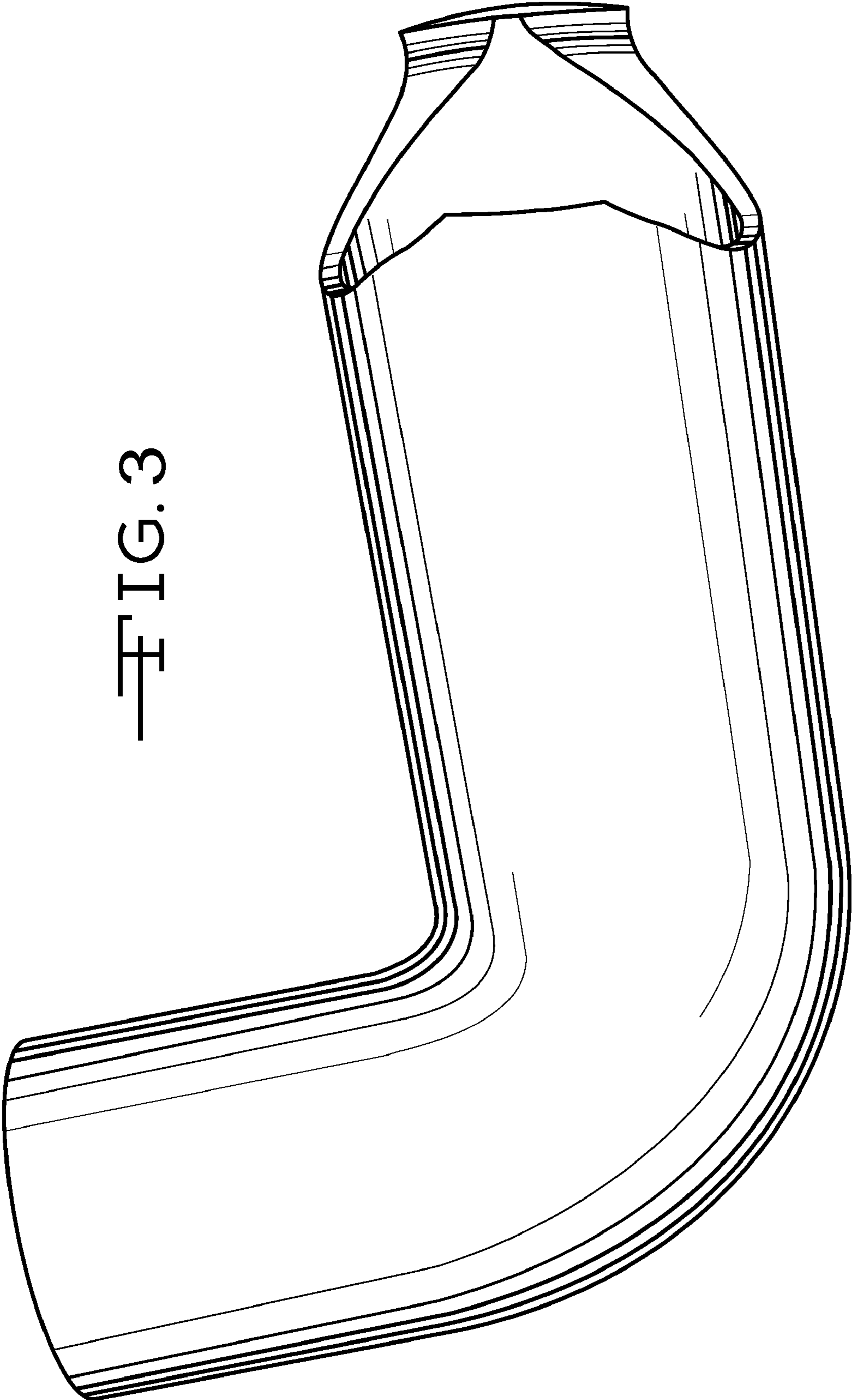


FIG. 2



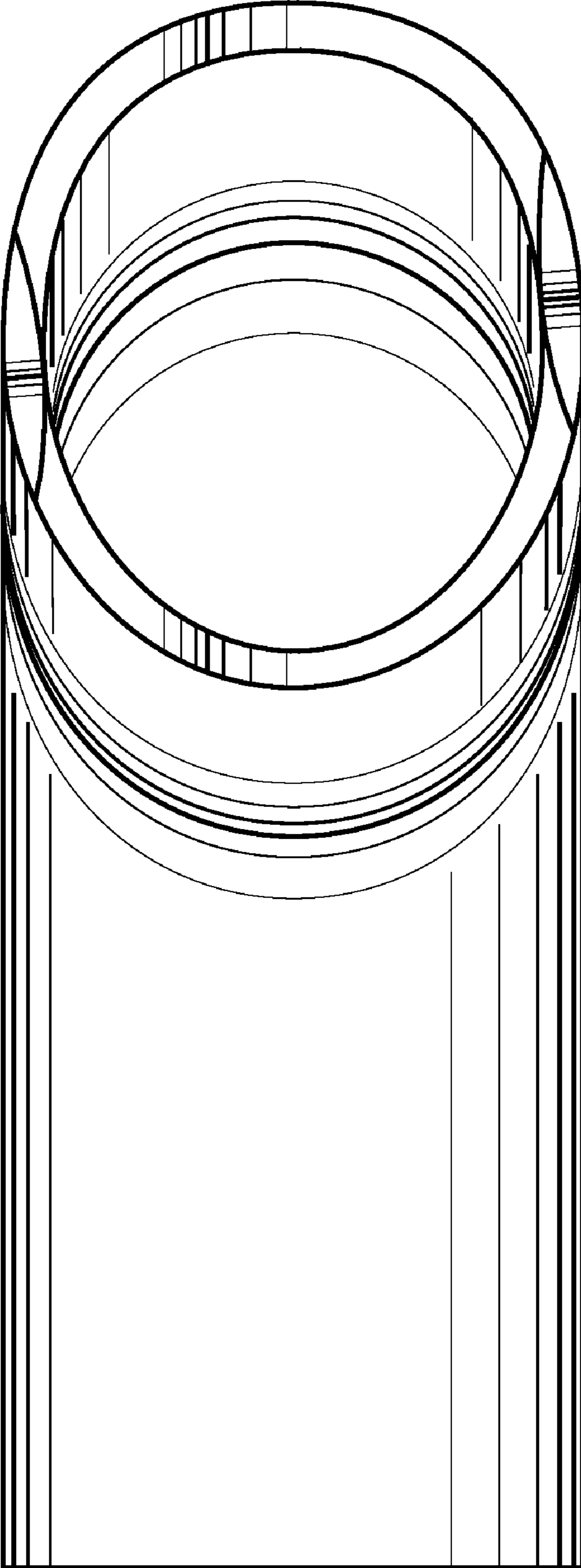


FIG. 4

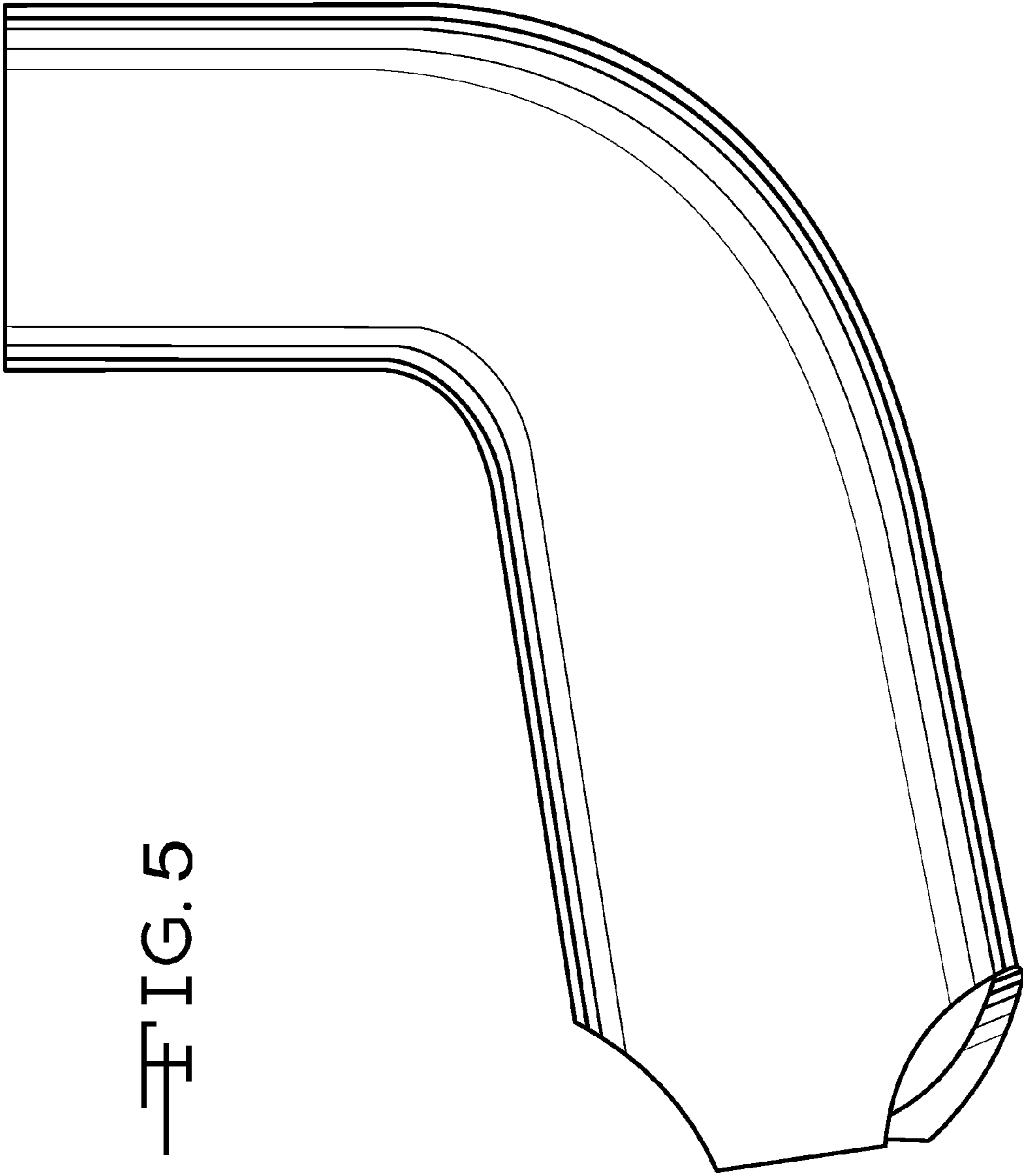


FIG. 5



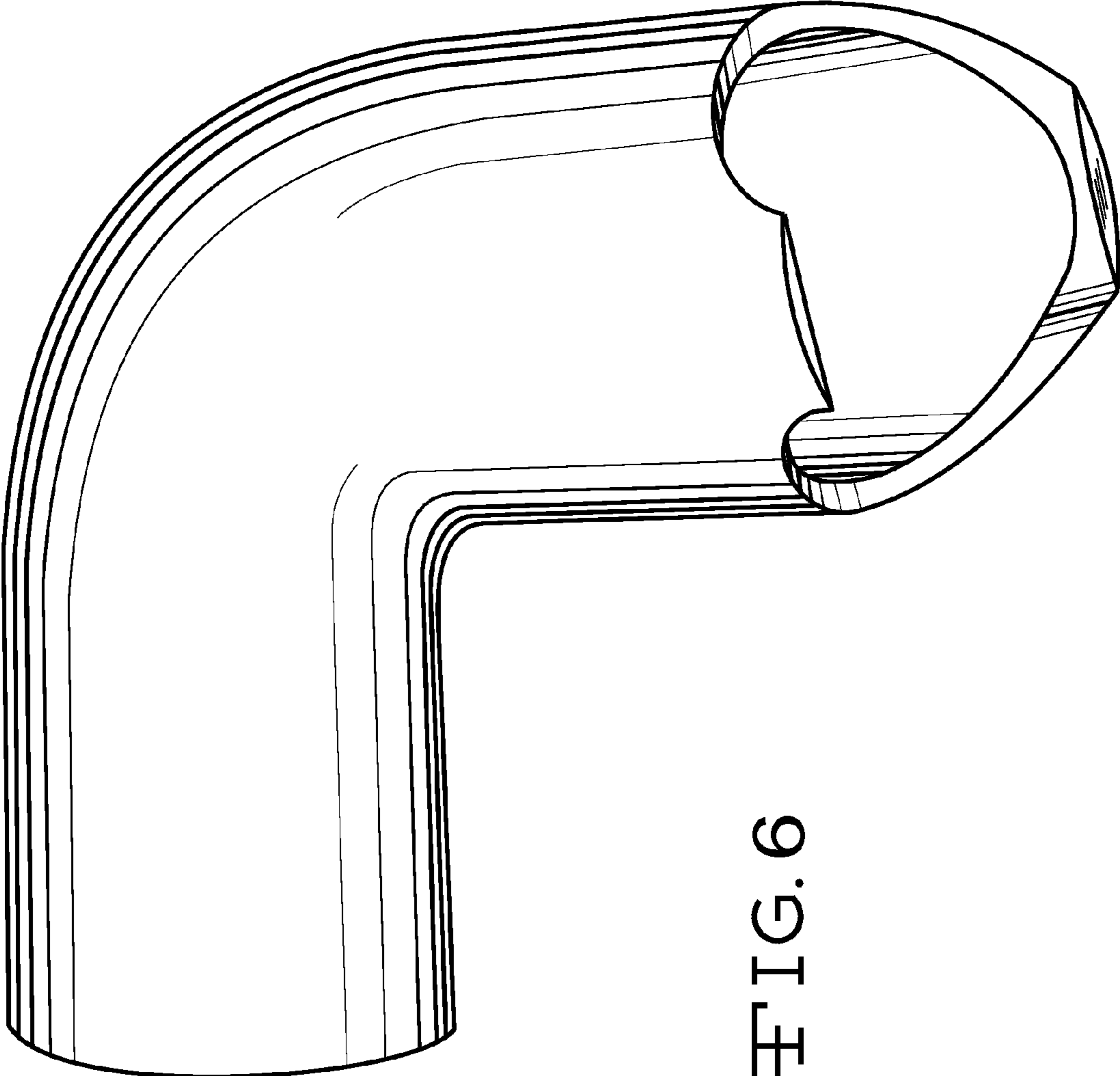


FIG. 6