



US00D636298S

(12) **United States Design Patent**  
**Yang**

(10) **Patent No.:** **US D636,298 S**

(45) **Date of Patent:** **\*\* Apr. 19, 2011**

(54) **BICYCLE**

(76) Inventor: **Tai-Her Yang**, Dzan-Hwa (TW)

(\*\*) Term: **14 Years**

(21) Appl. No.: **29/369,305**

(22) Filed: **Sep. 7, 2010**

(51) **LOC (9) Cl.** ..... **12-11**

(52) **U.S. Cl.** ..... **D12/111**

(58) **Field of Classification Search** ..... D12/111;  
280/274-278, 283-288, 288.1-288.3, 281.1,  
280/279, 280

See application file for complete search history.

(56) **References Cited**

**U.S. PATENT DOCUMENTS**

4,579,360 A \* 4/1986 Nishimura et al. .... 280/278  
7,293,789 B1 \* 11/2007 Efros ..... 280/251

D621,303 S \* 8/2010 Tanaka et al. .... D12/111  
2005/0253357 A1 \* 11/2005 Chang et al. .... 280/283

\* cited by examiner

*Primary Examiner* — Philip S Hyder

*Assistant Examiner* — Linda G. Brooks

(74) *Attorney, Agent, or Firm* — Bacon & Thomas, PLLC

(57) **CLAIM**

The ornamental design for a bicycle, as shown and described.

**DESCRIPTION**

FIG. 1 is a perspective view of a bicycle showing my new design;

FIG. 2 is a front view thereof;

FIG. 3 is a rear view thereof;

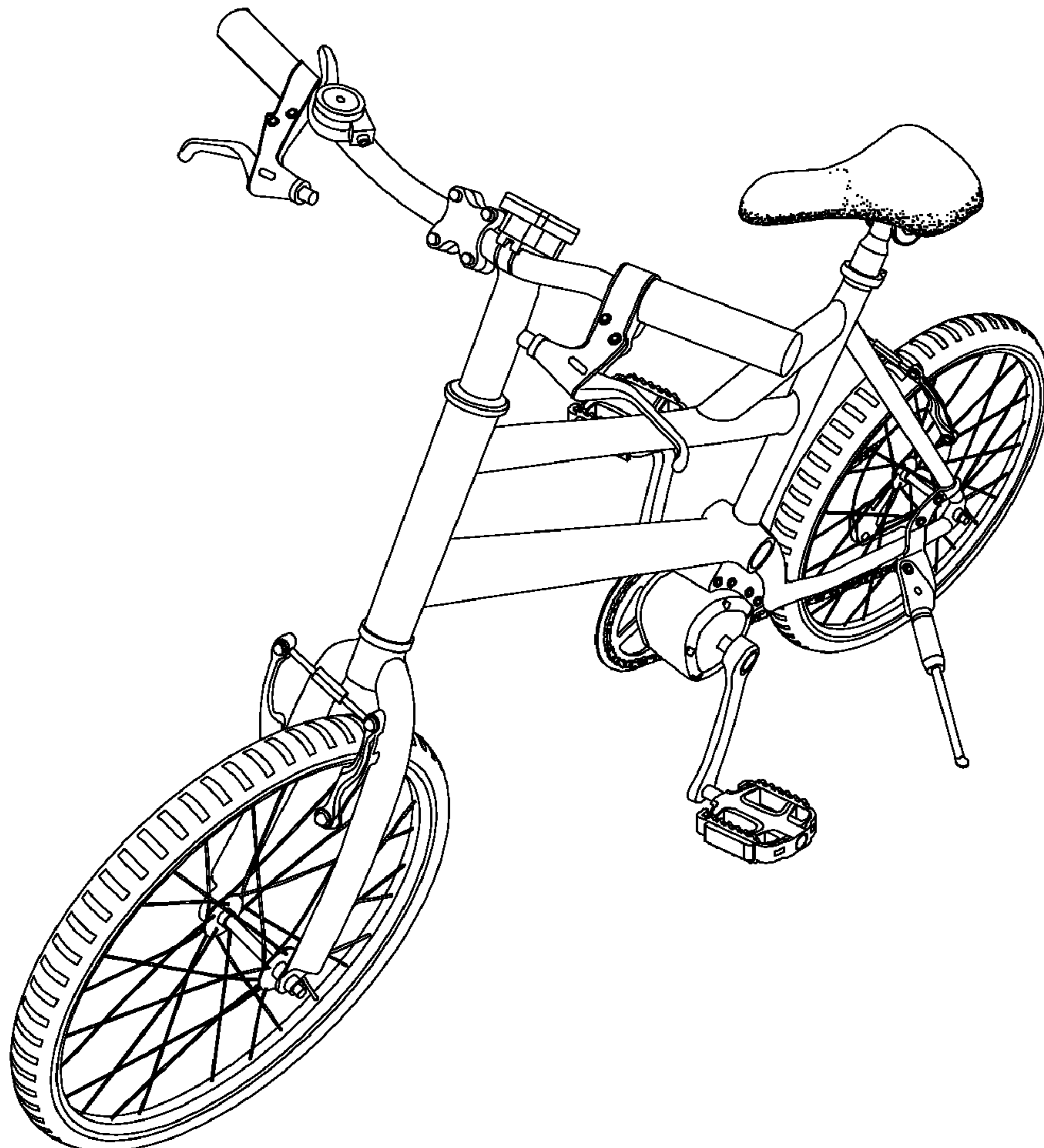
FIG. 4 is a left side view thereof;

FIG. 5 is a right side view thereof;

FIG. 6 is a top plan view thereof; and,

FIG. 7 is a bottom plan view thereof.

**1 Claim, 7 Drawing Sheets**



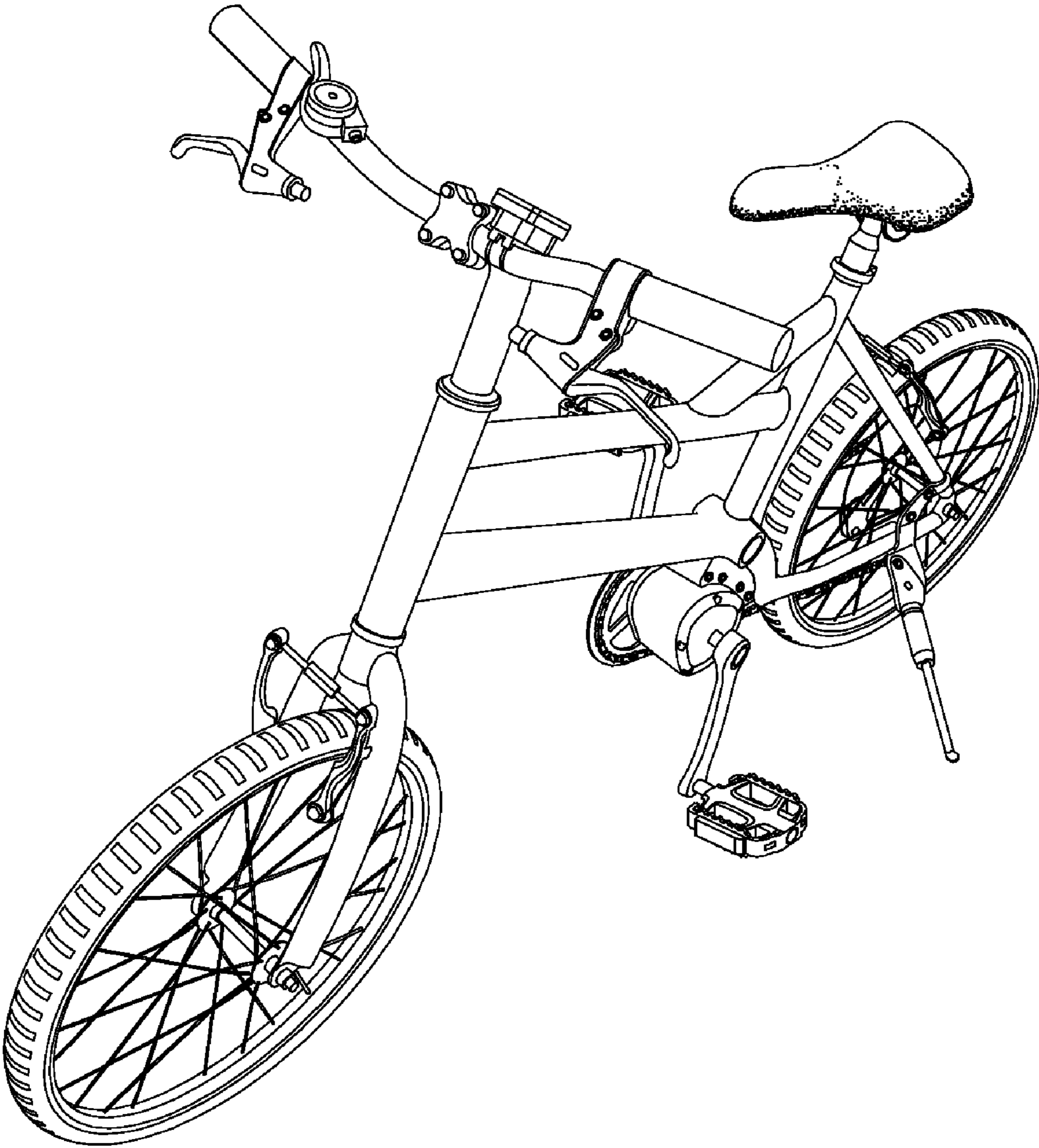


FIG. 1

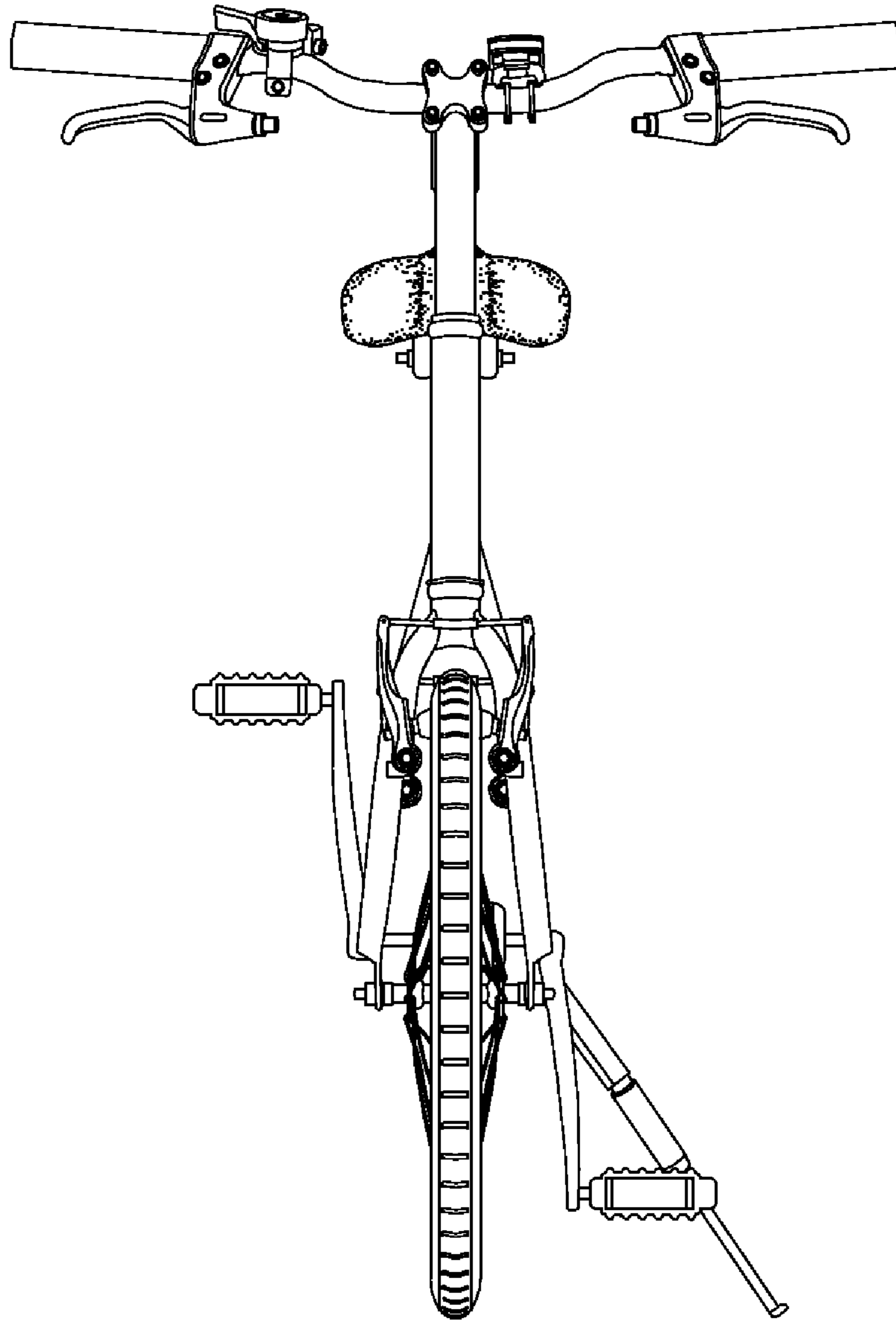


FIG. 2

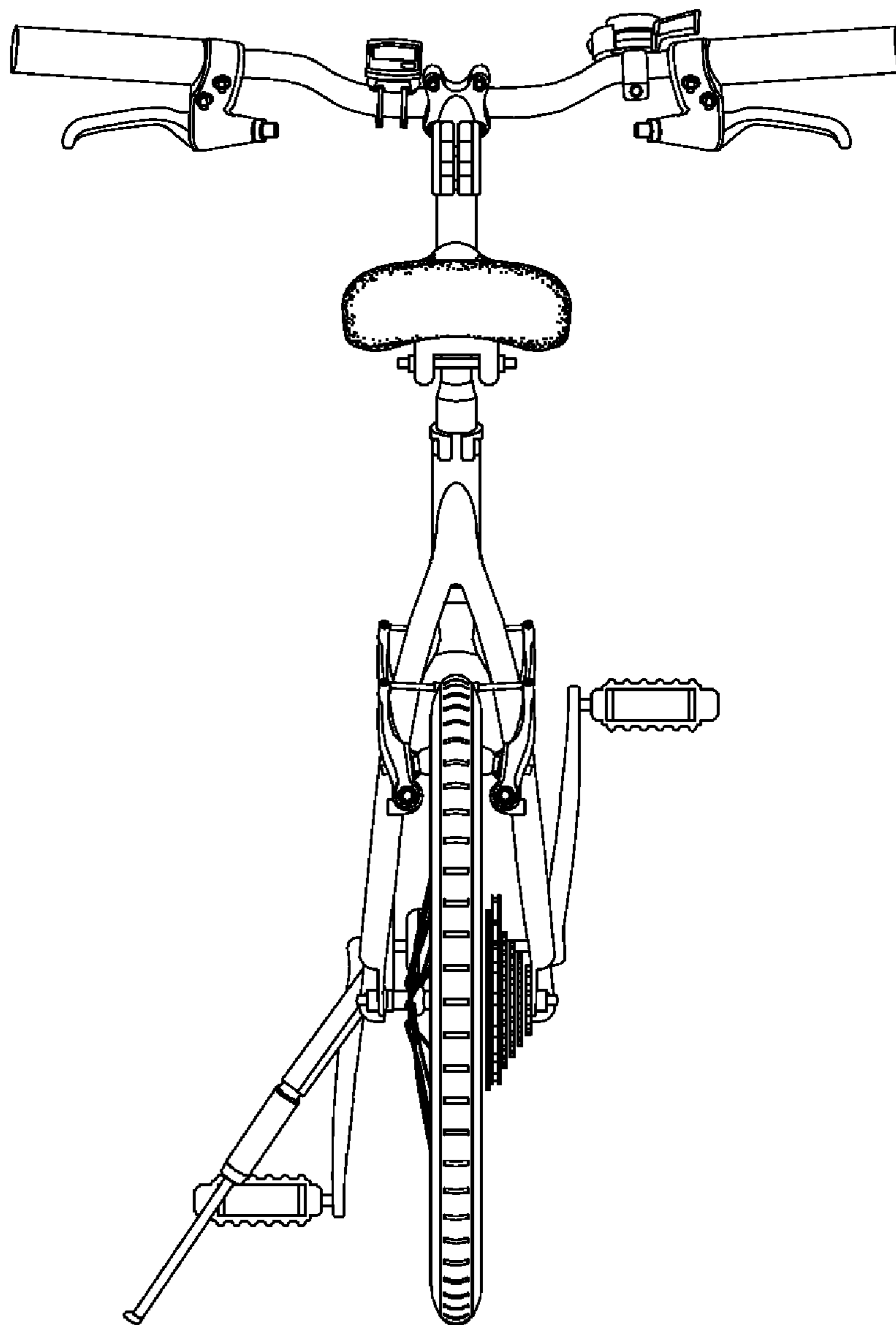


FIG. 3

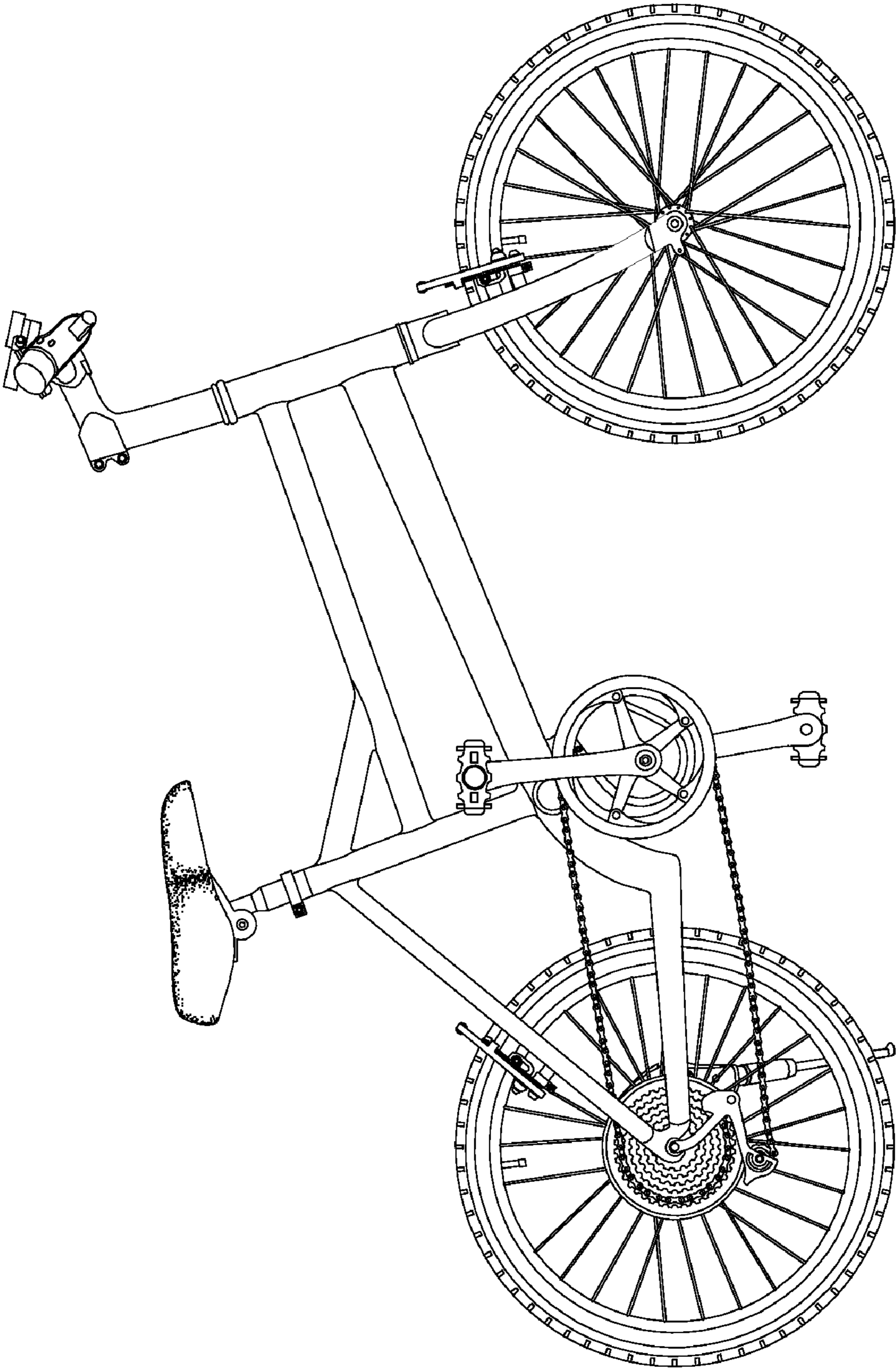


FIG. 4

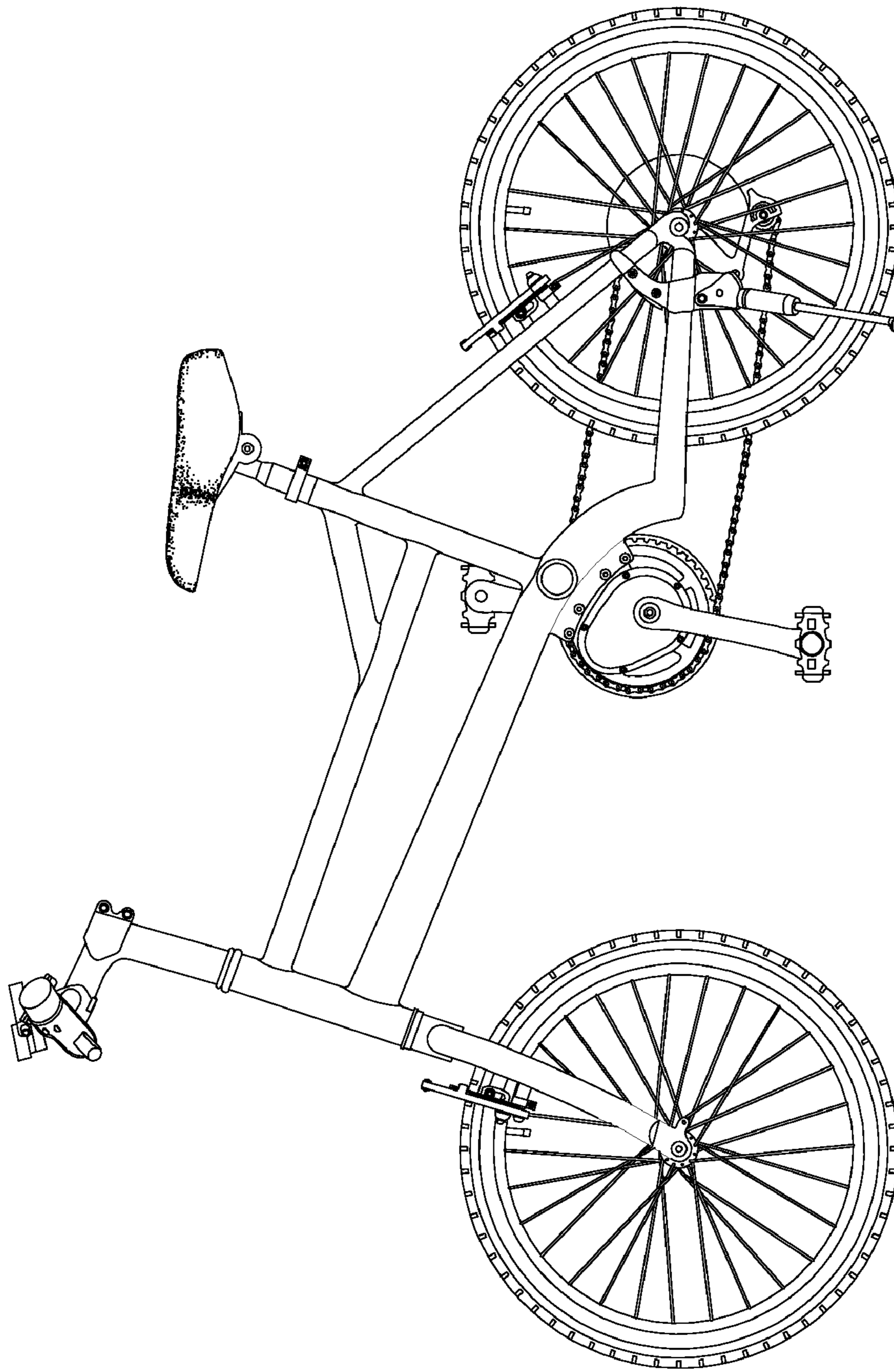


FIG. 5

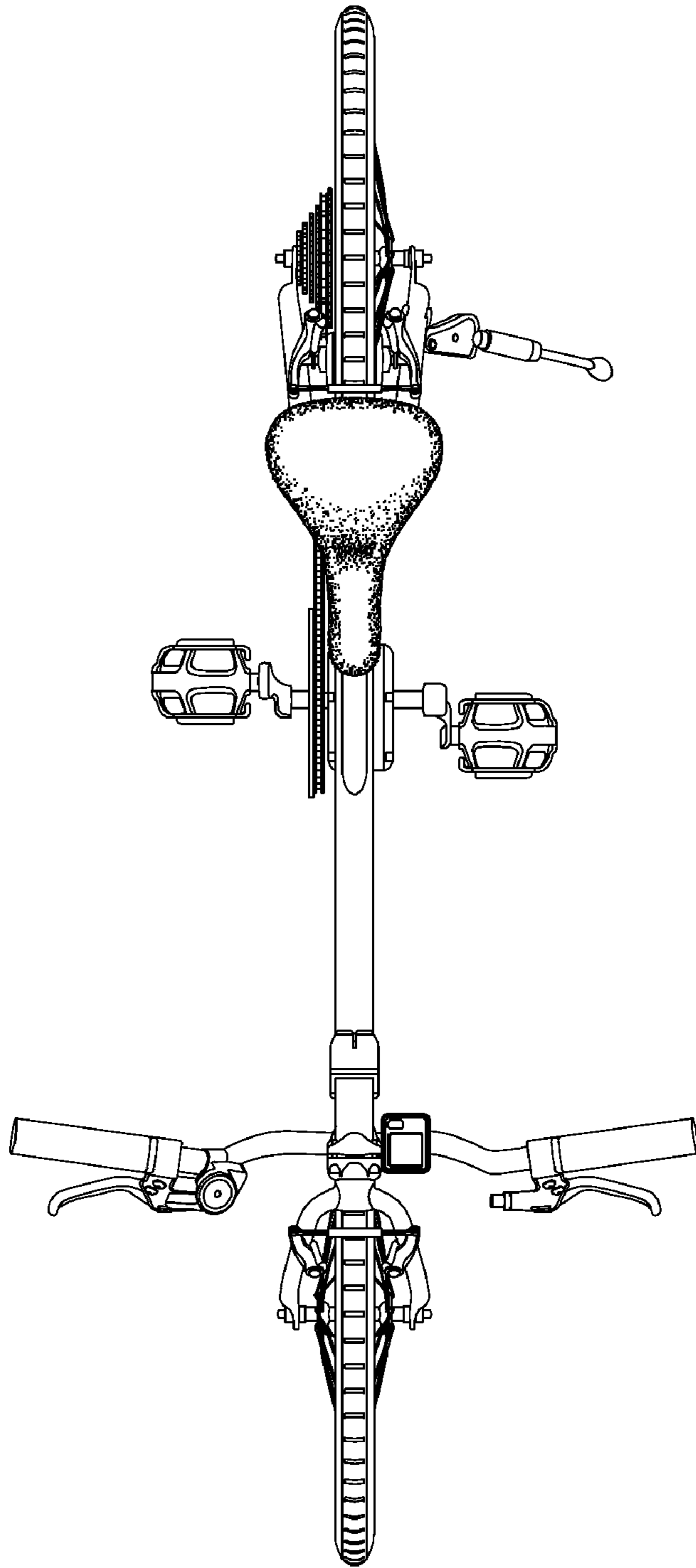


FIG. 6

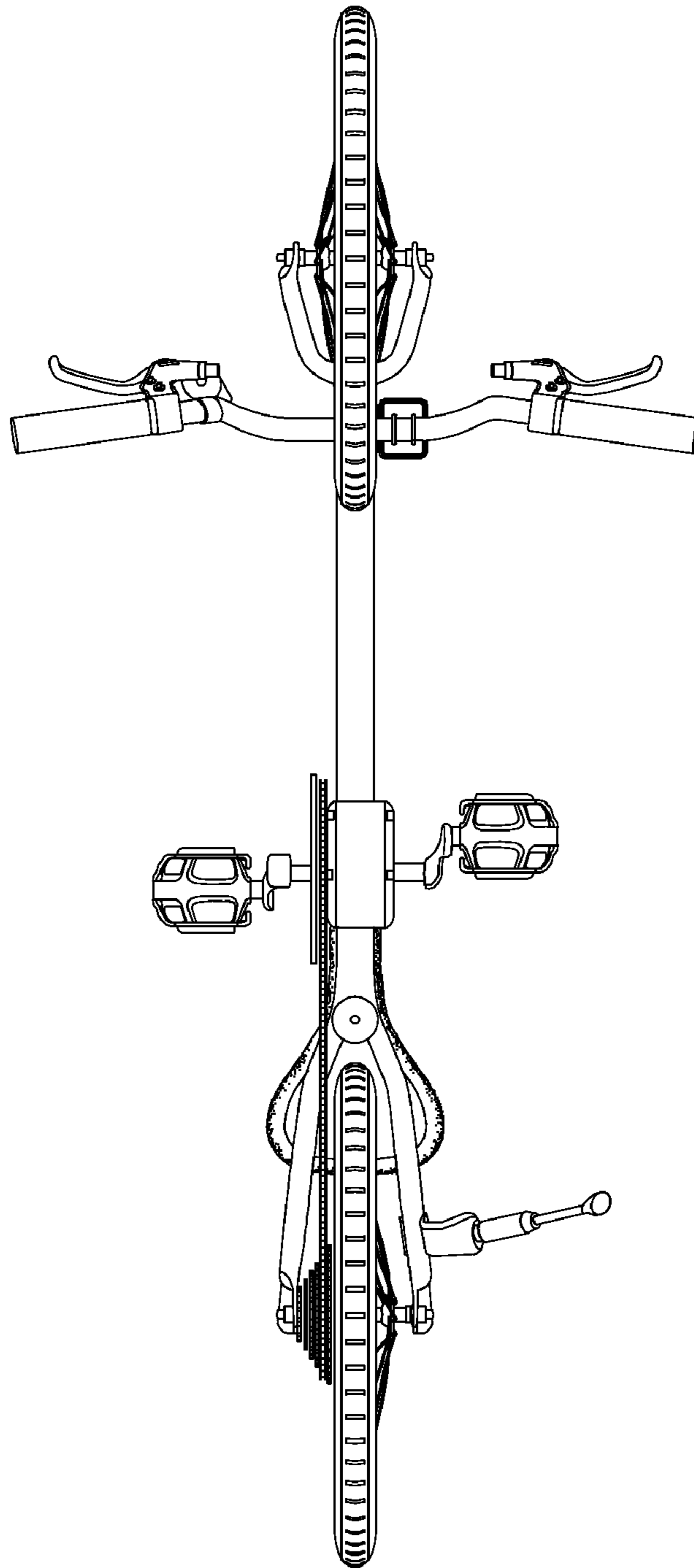


FIG. 7