



US00D636297S

(12) **United States Design Patent**
Wu et al.

(10) **Patent No.:** **US D636,297 S**

(45) **Date of Patent:** **** Apr. 19, 2011**

(54) **SEMI-TRAILER LEG**

(75) Inventors: **Zhiqiang Wu**, Guangdong (CN);
Shaofan Zeng, Guangdong (CN);
Xiangyong Zhong, Guangdong (CN)

(73) Assignee: **Guangdong Fuwa Engineering Manufacturing Co., Ltd.**, Guangdong (CN)

(**) Term: **14 Years**

(21) Appl. No.: **29/318,536**

(22) Filed: **May 21, 2008**

(30) **Foreign Application Priority Data**

Nov. 21, 2007 (CN) 2007 3 0319480

(51) **LOC (9) Cl.** **12-10**

(52) **U.S. Cl.** **D12/106; D34/31**

(58) **Field of Classification Search** D12/106;
D34/28, 31, 32; 248/351, 352; 254/425;
280/475, 766.1, 763.1

See application file for complete search history.

(56) **References Cited**

U.S. PATENT DOCUMENTS

5,054,805 A * 10/1991 Hungerink et al. 280/475
5,199,738 A * 4/1993 VanDenberg 280/766.1
D348,966 S * 7/1994 Guyton D34/31
D384,482 S * 9/1997 Thole D34/31
D388,925 S * 1/1998 Hulegaard et al. D34/31
5,709,362 A * 1/1998 Clarke et al. 248/352
D447,309 S * 8/2001 Wilson D34/31

6,446,937 B1 * 9/2002 Straw et al. 254/425
2006/0043717 A1 * 3/2006 Baxter 280/763.1
2008/0315570 A1 * 12/2008 Baxter 280/766.1

* cited by examiner

Primary Examiner — Caron Veynar

Assistant Examiner — George D Kirschbaum

(57) **CLAIM**

The ornamental design for a semi-trailer leg, as shown.

DESCRIPTION

FIG. 1 is a front elevational view of a semi-trailer leg showing my new design with the first component on the right and the second component on the left;

FIG. 2 is a rear elevational view thereof;

FIG. 3 is a left side view thereof;

FIG. 4 is a right side view thereof;

FIG. 5 is a top plan view thereof;

FIG. 6 is a bottom plan view thereof;

FIG. 7 is a front elevational view of the first component in FIG. 1;

FIG. 8 is a rear elevational view thereof;

FIG. 9 is a left side view thereof;

FIG. 10 is a right side view thereof;

FIG. 11 is a top plan view thereof;

FIG. 12 is a bottom plan view thereof;

FIG. 13 is a front elevational view of the second component in FIG. 1;

FIG. 14 is a rear elevational view thereof;

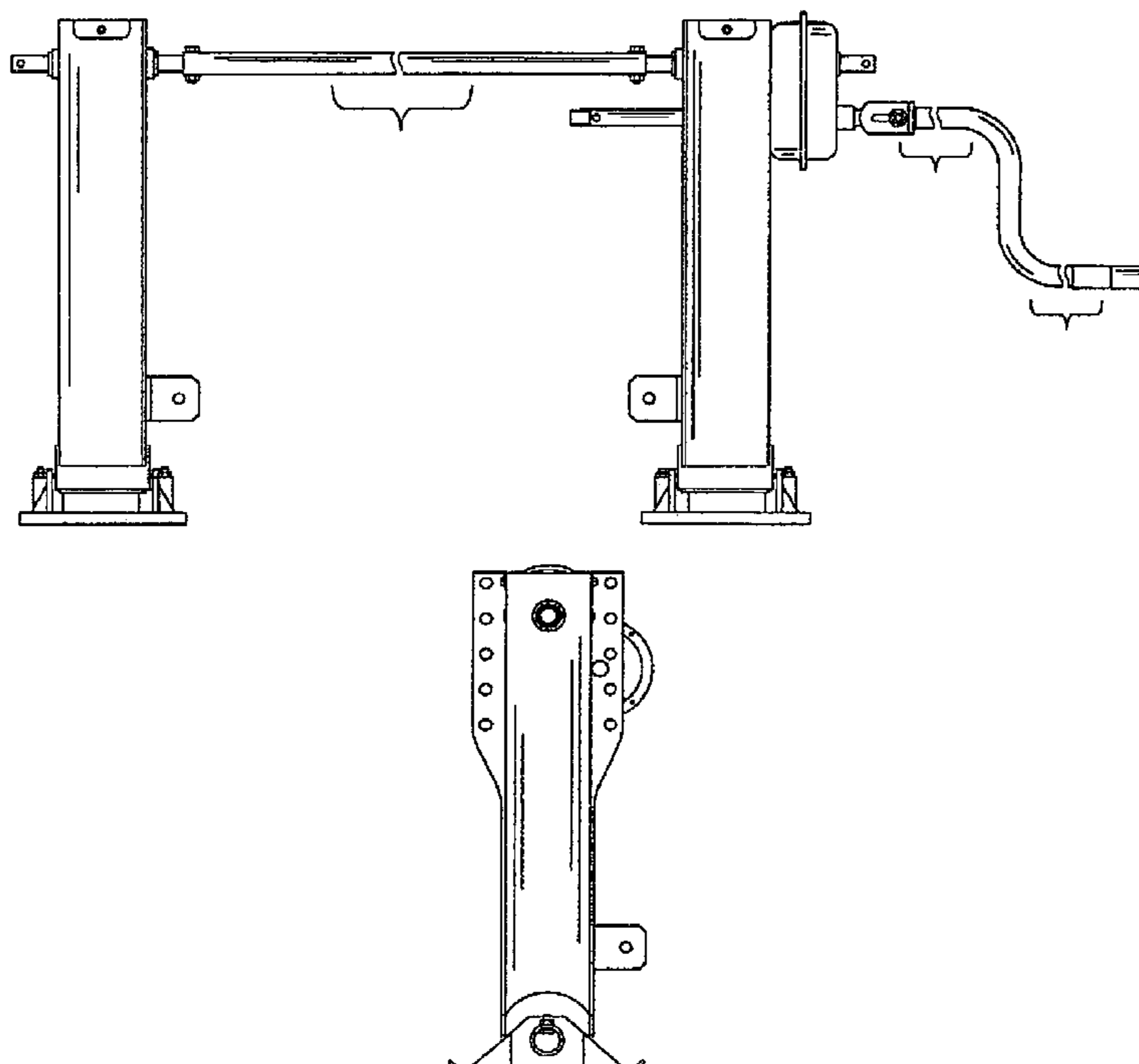
FIG. 15 is a left side view thereof;

FIG. 16 is a right side view thereof;

FIG. 17 is a top plan view thereof; and,

FIG. 18 is a bottom plan view thereof.

1 Claim, 6 Drawing Sheets



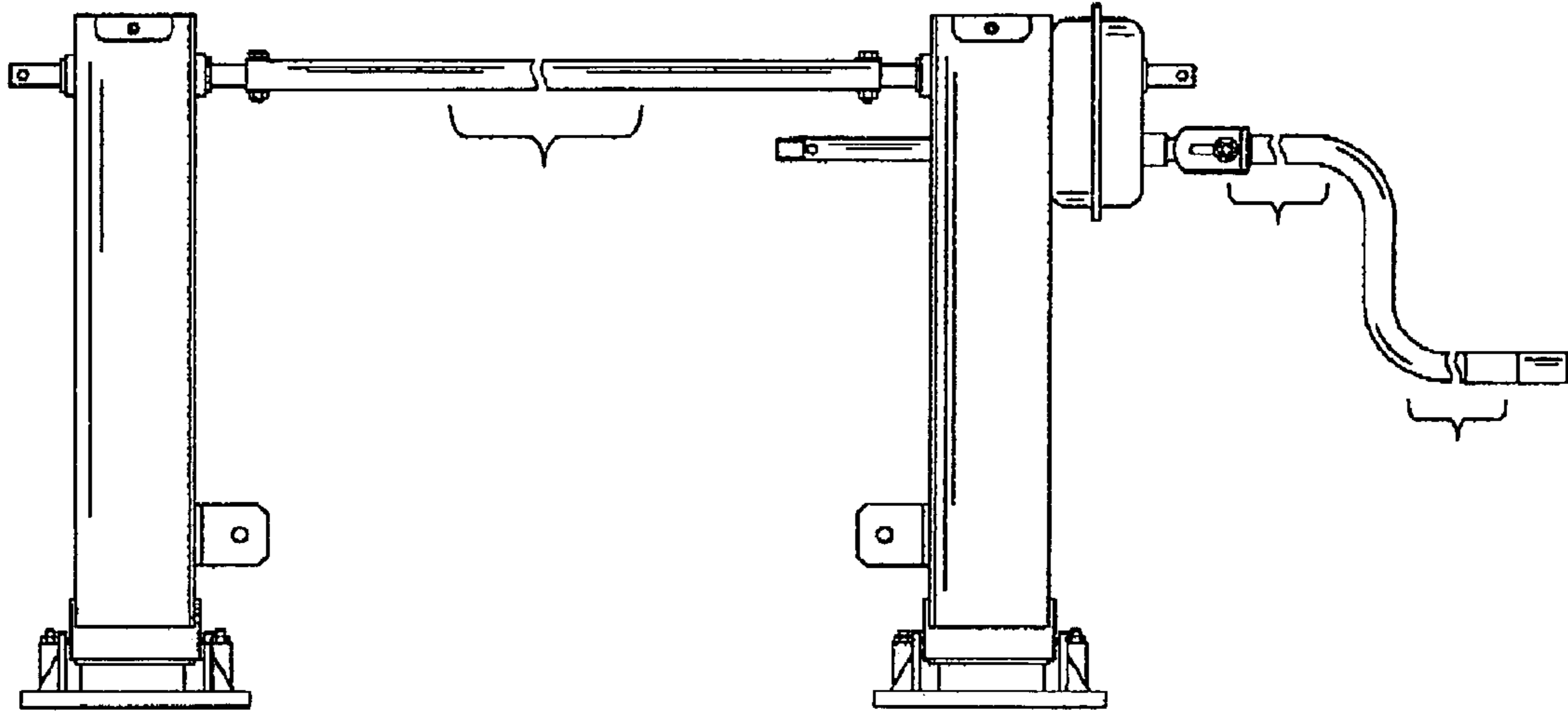


FIG. 1

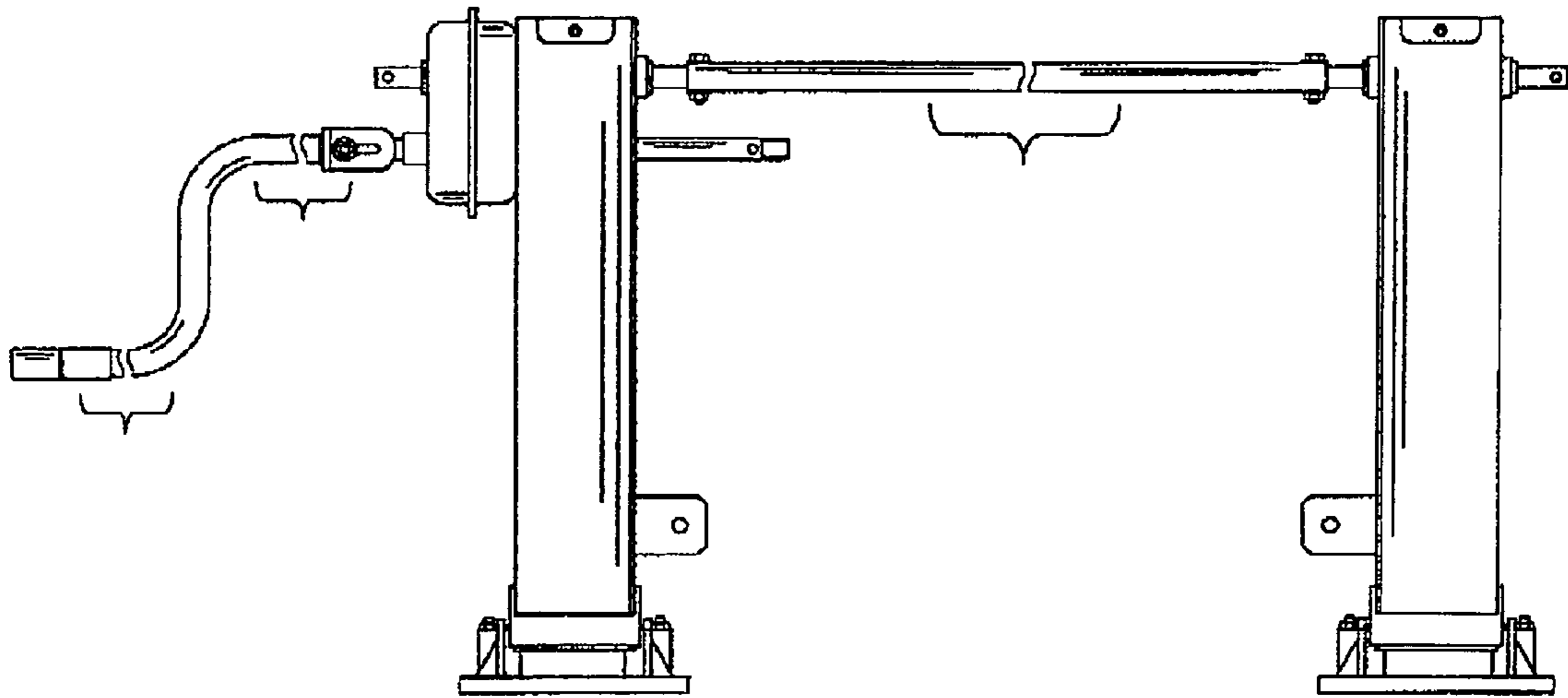


FIG. 2

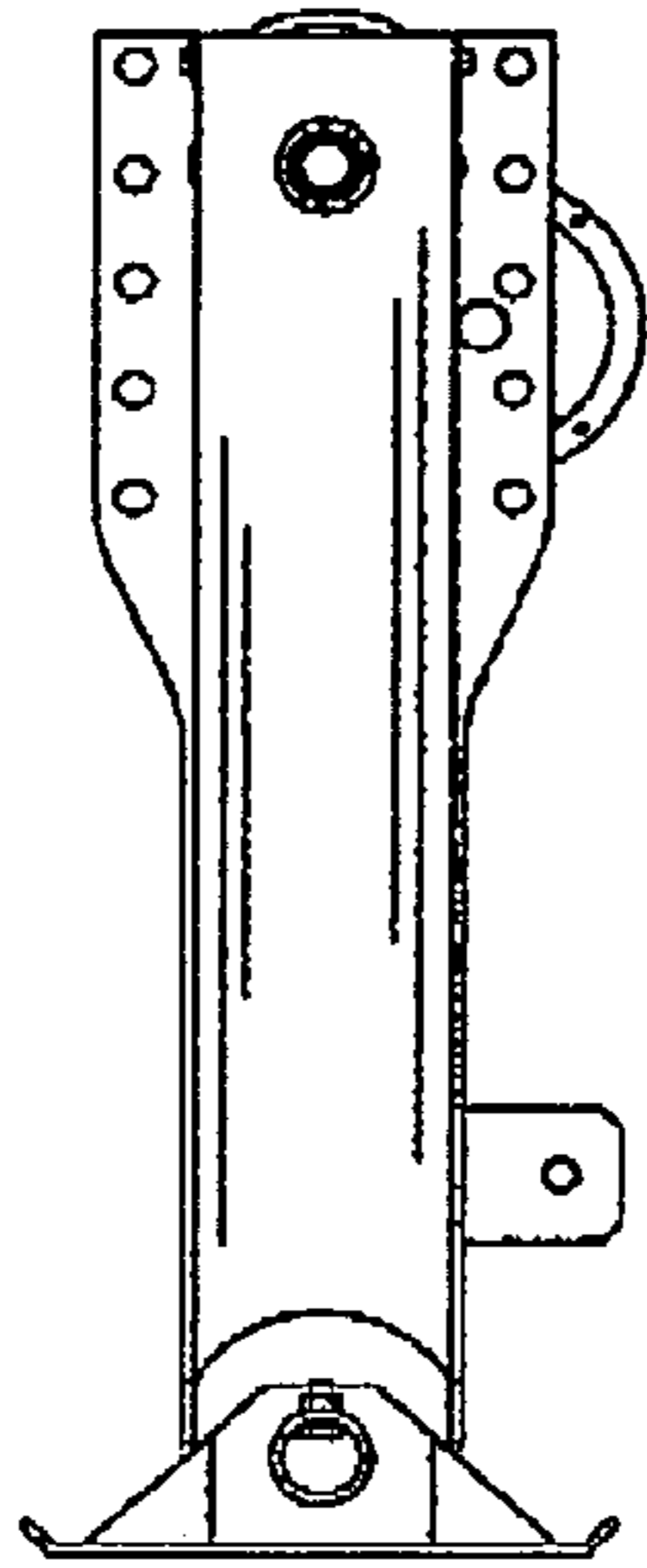


FIG. 3

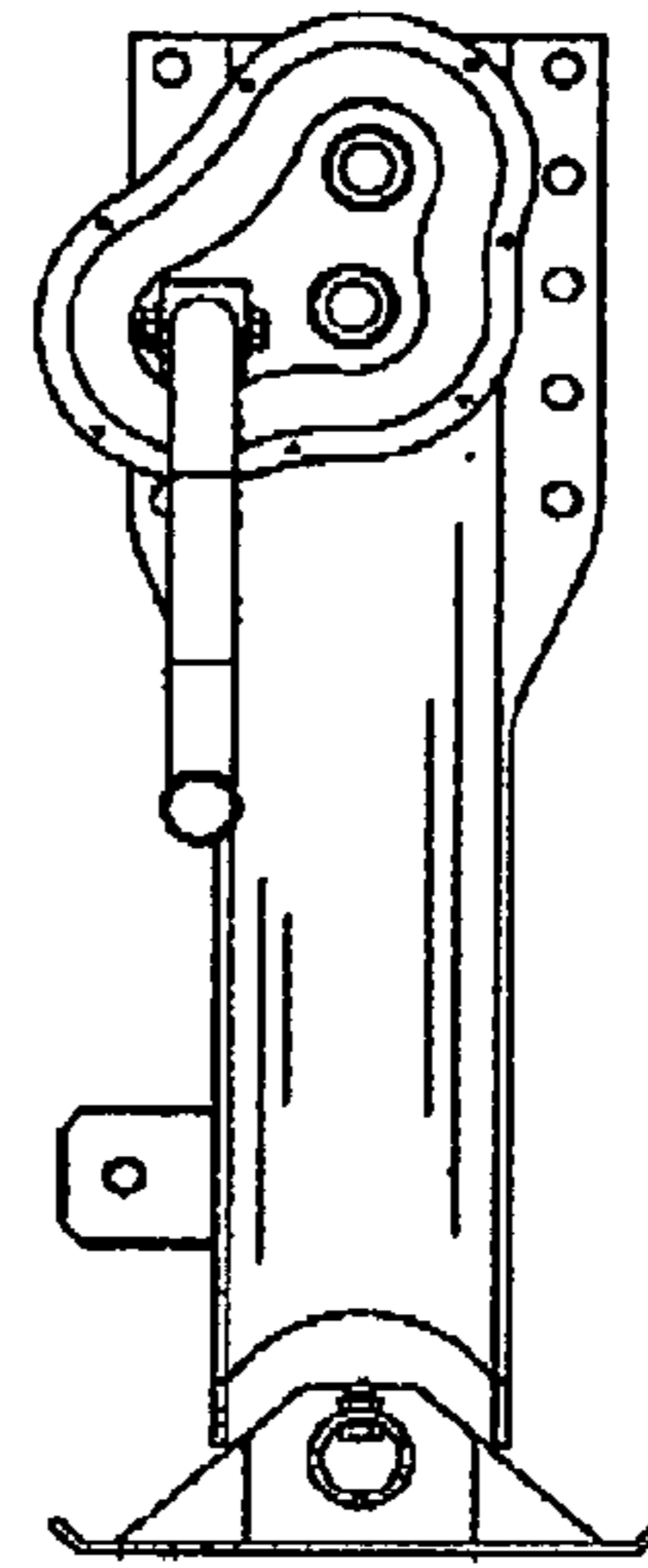


FIG. 4

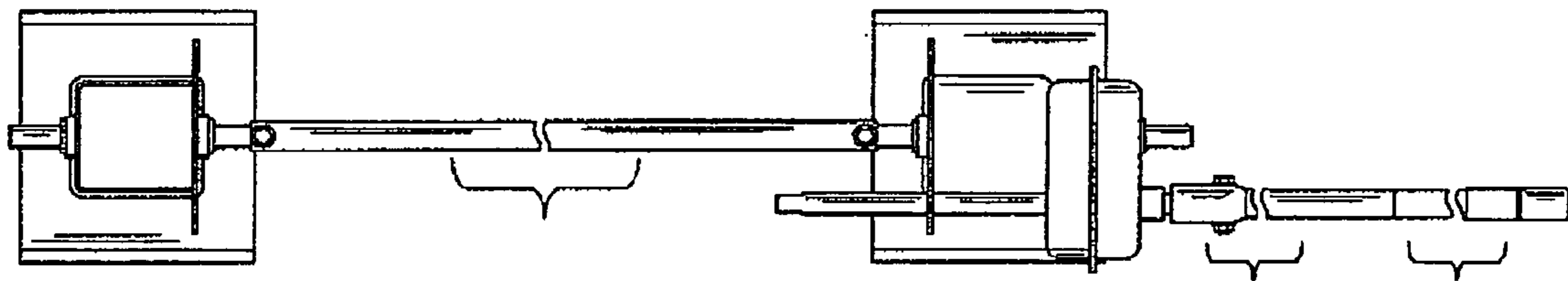


FIG. 5

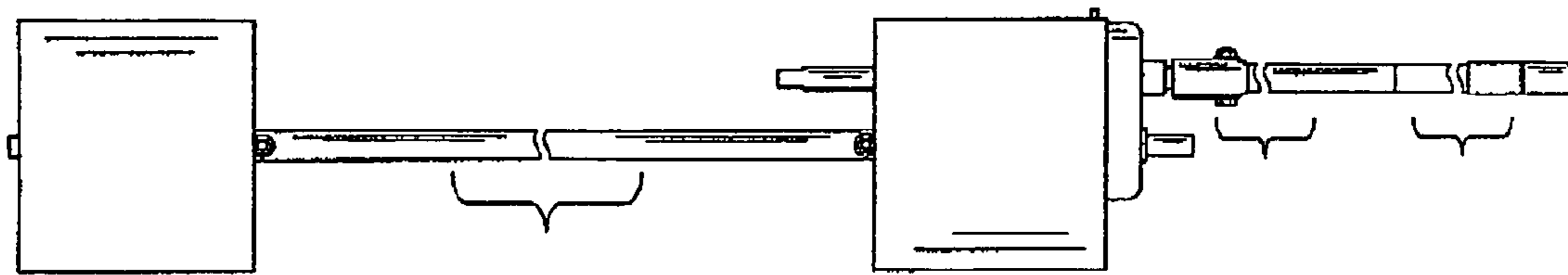


FIG. 6

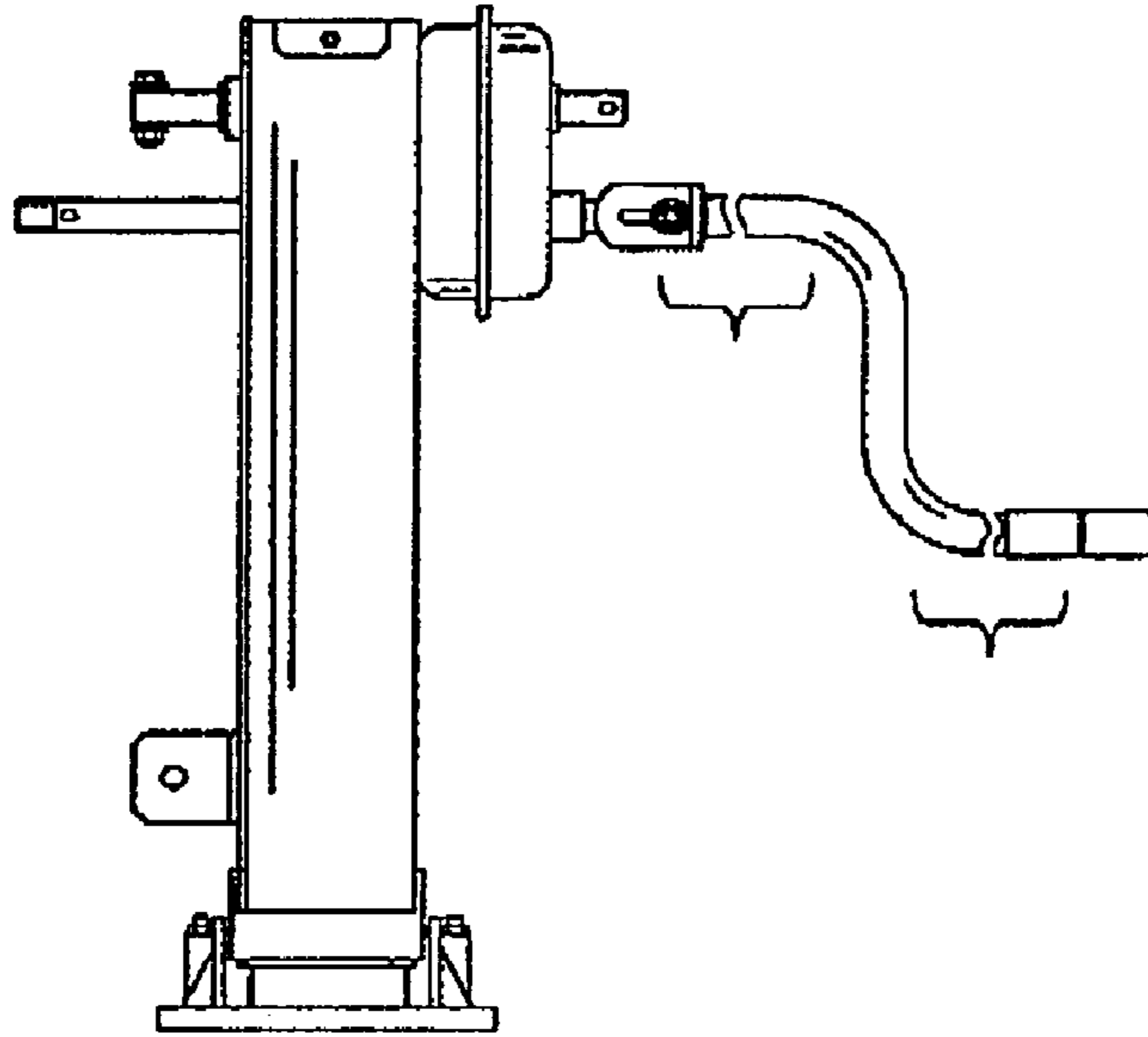


FIG. 7

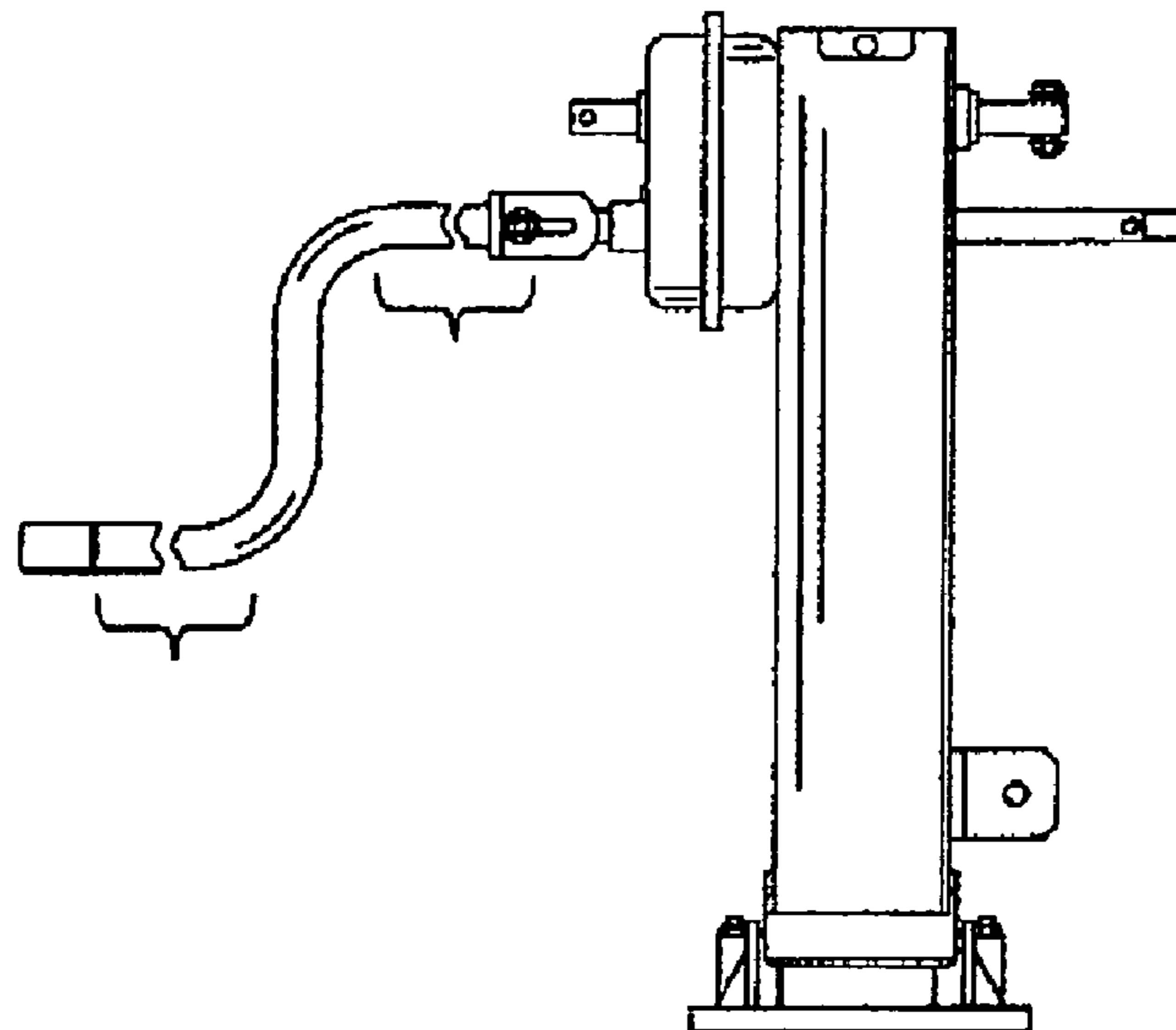


FIG. 8

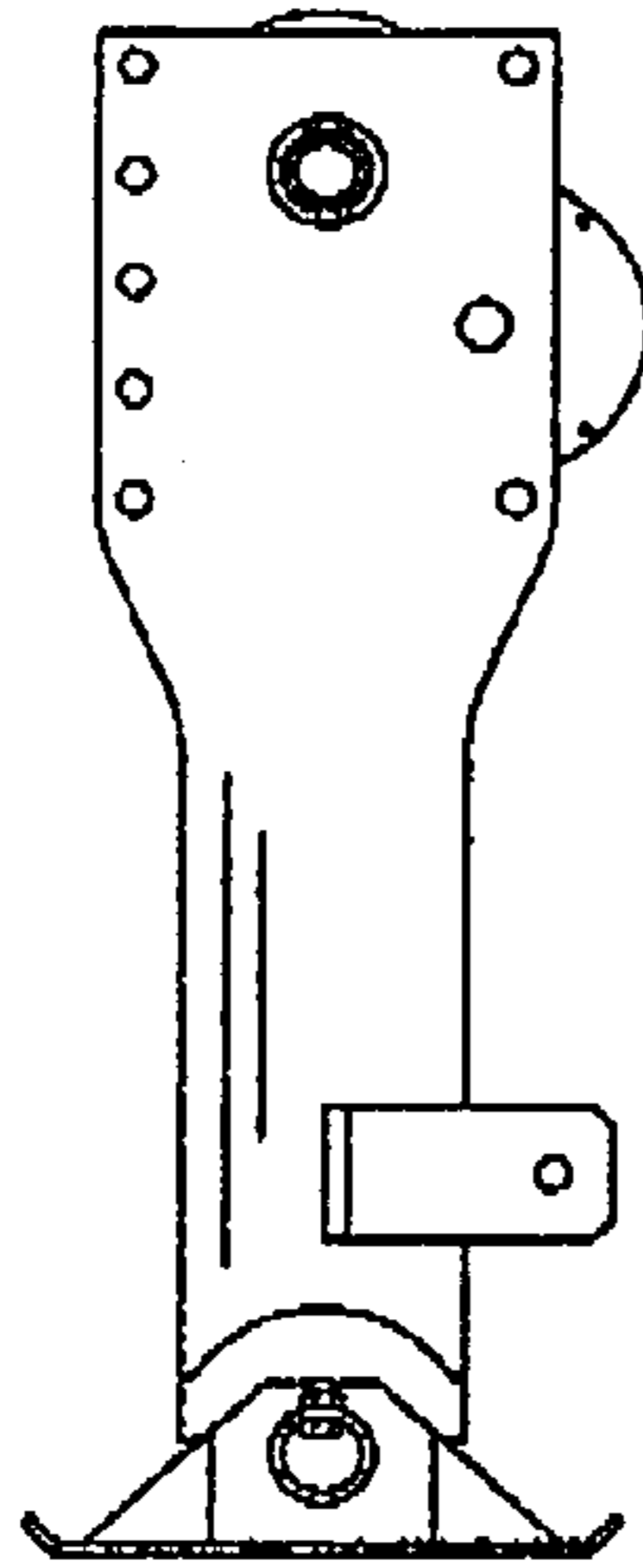


FIG. 9

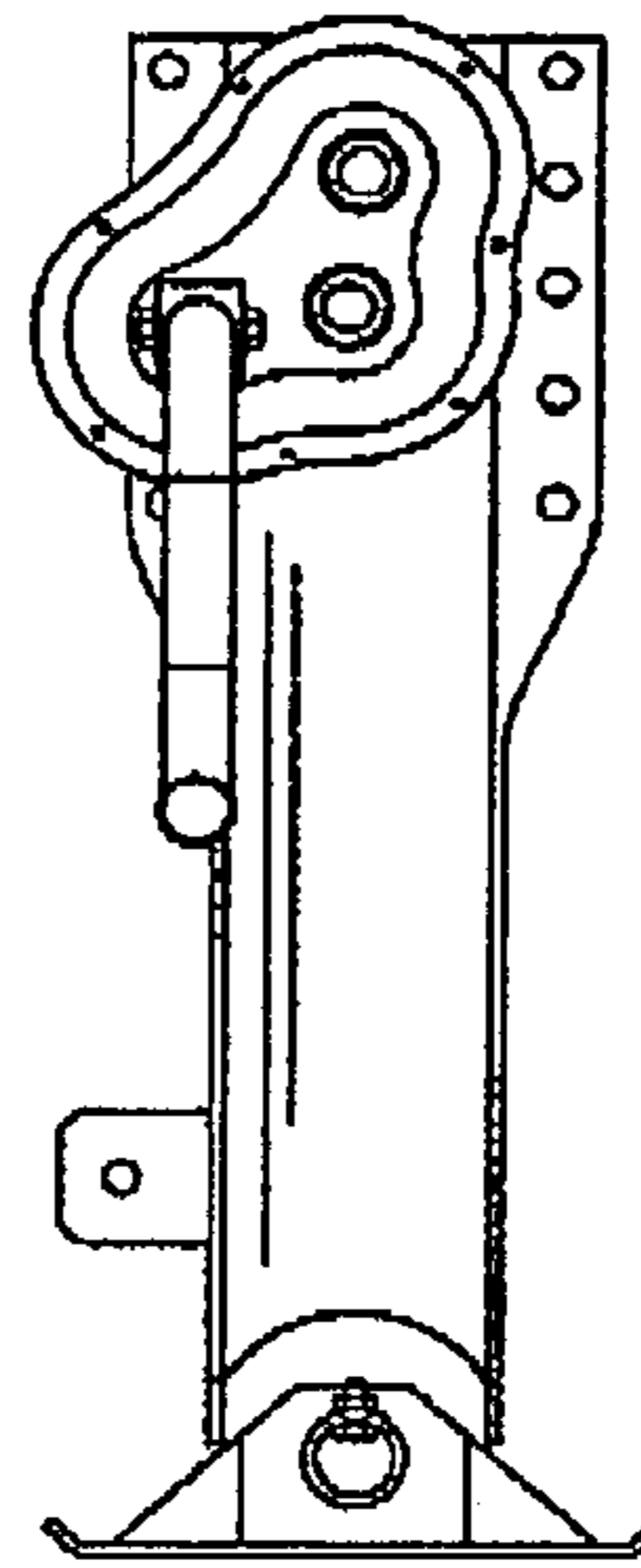


FIG. 10

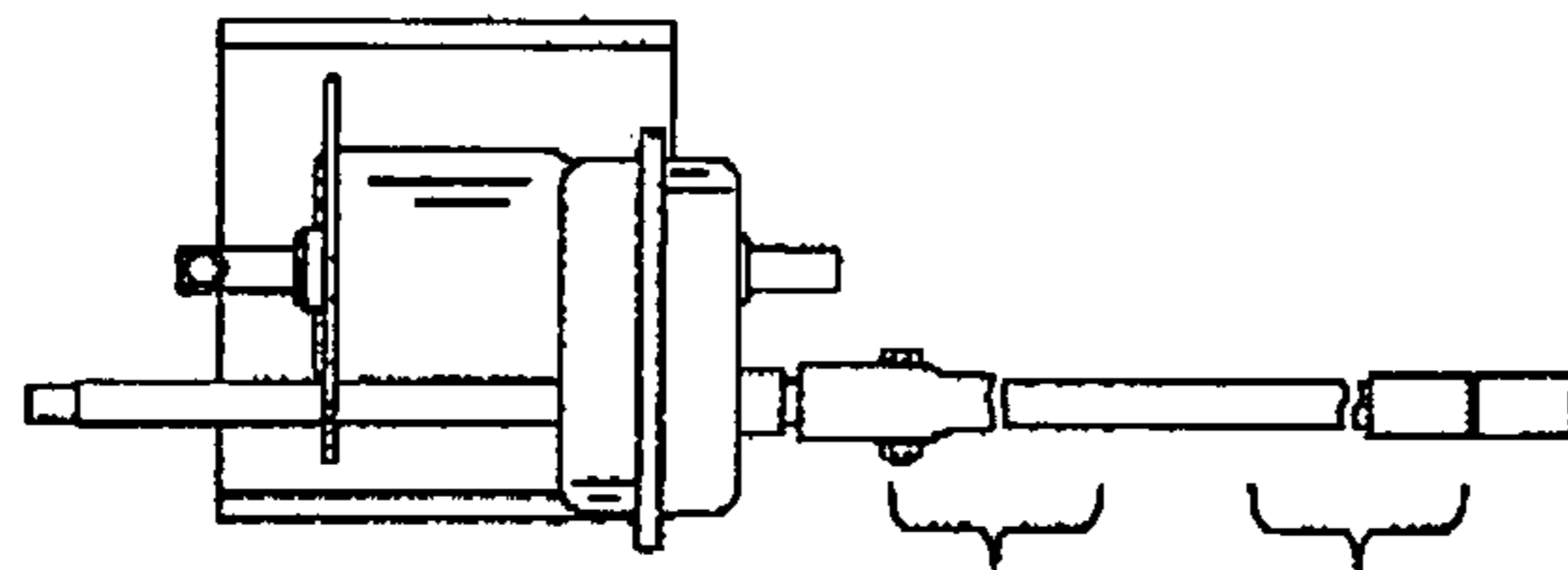


FIG. 11

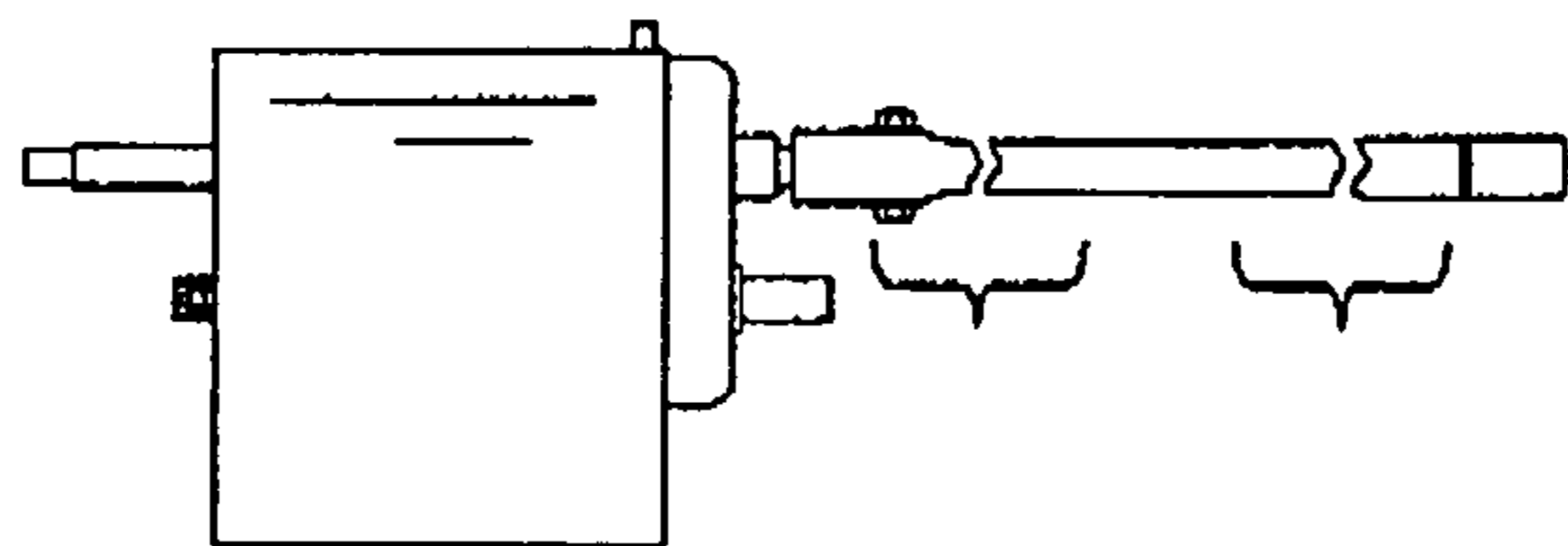


FIG. 12

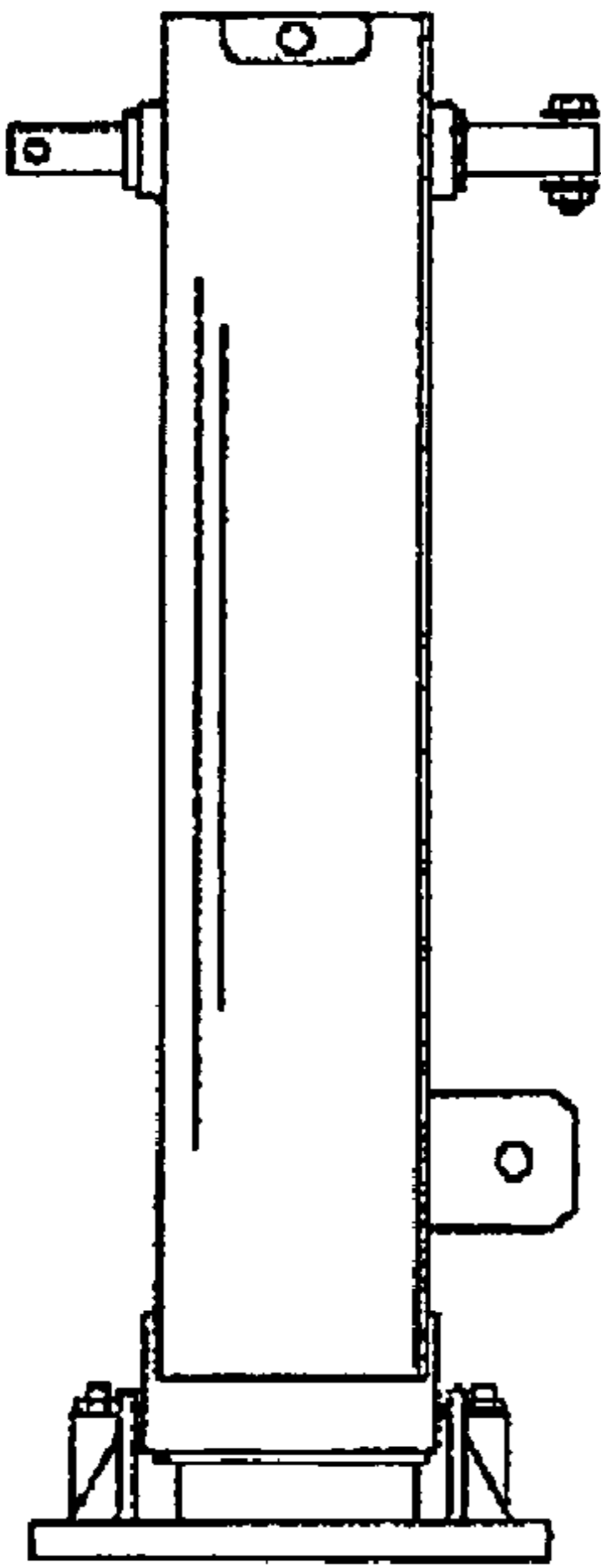


FIG. 13

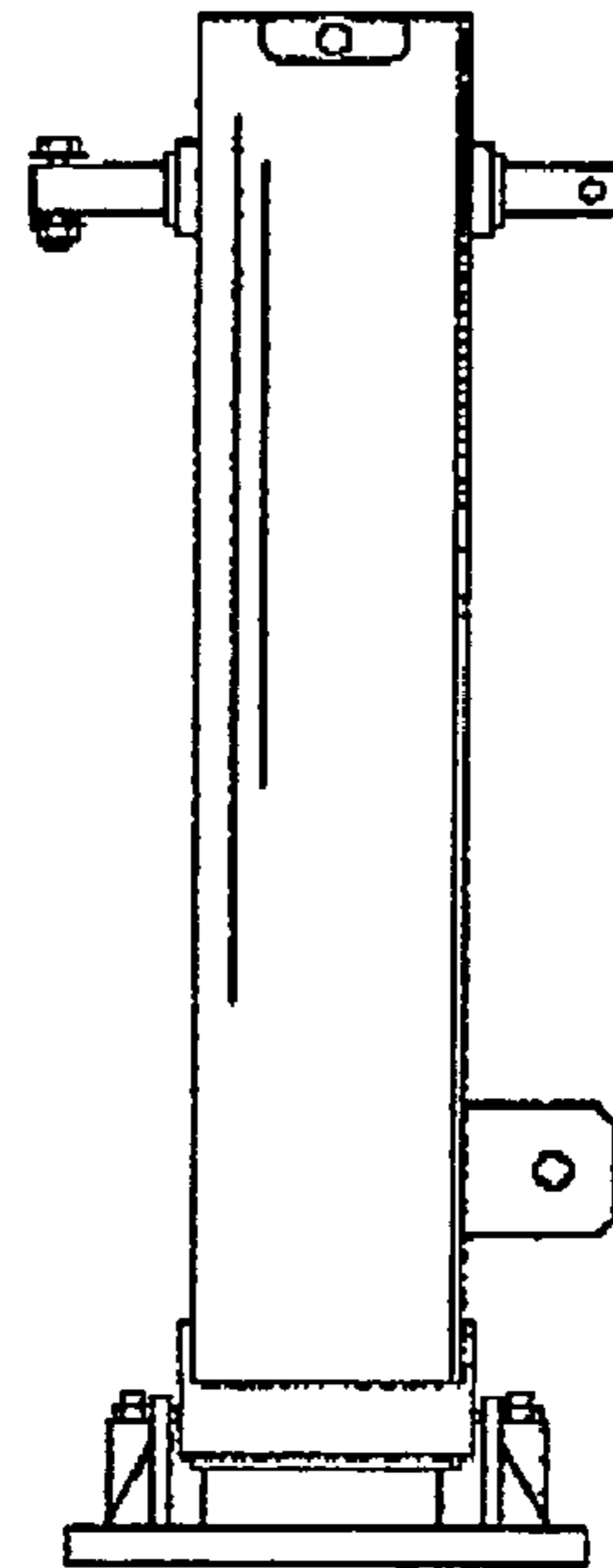


FIG. 14

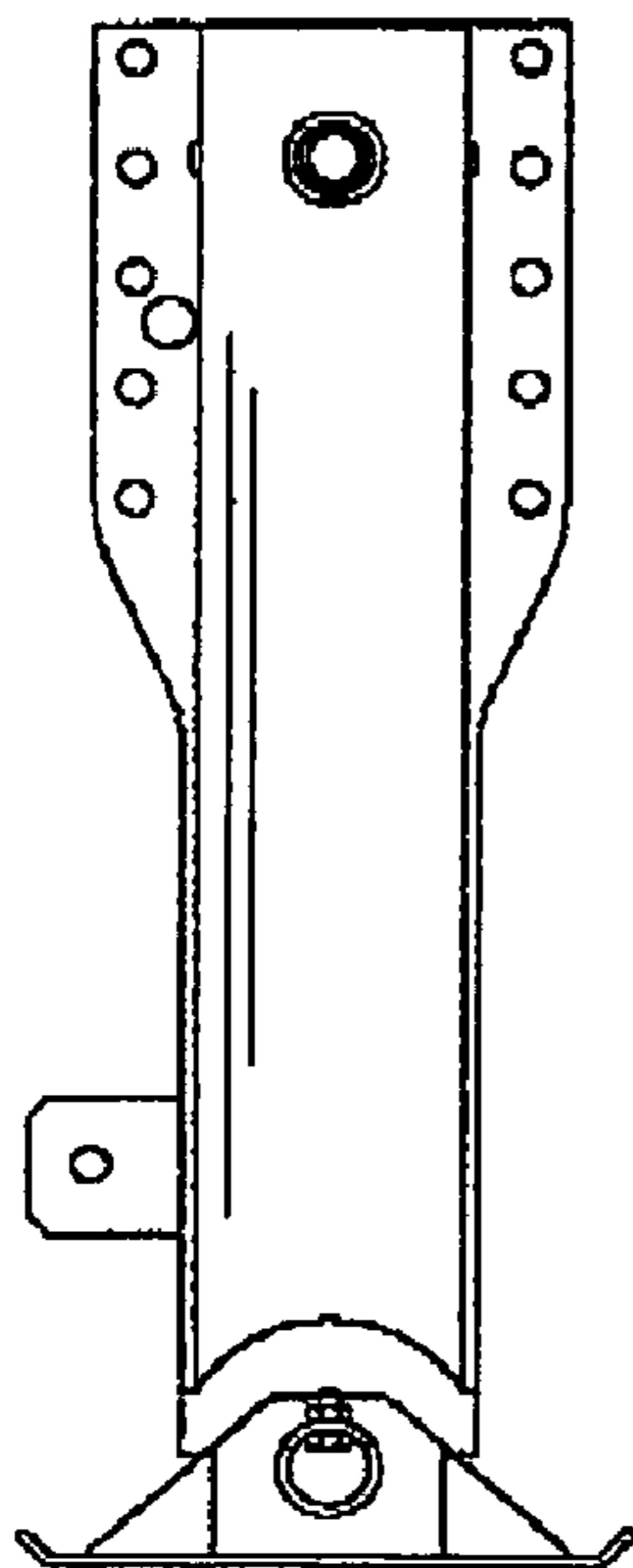


FIG. 15

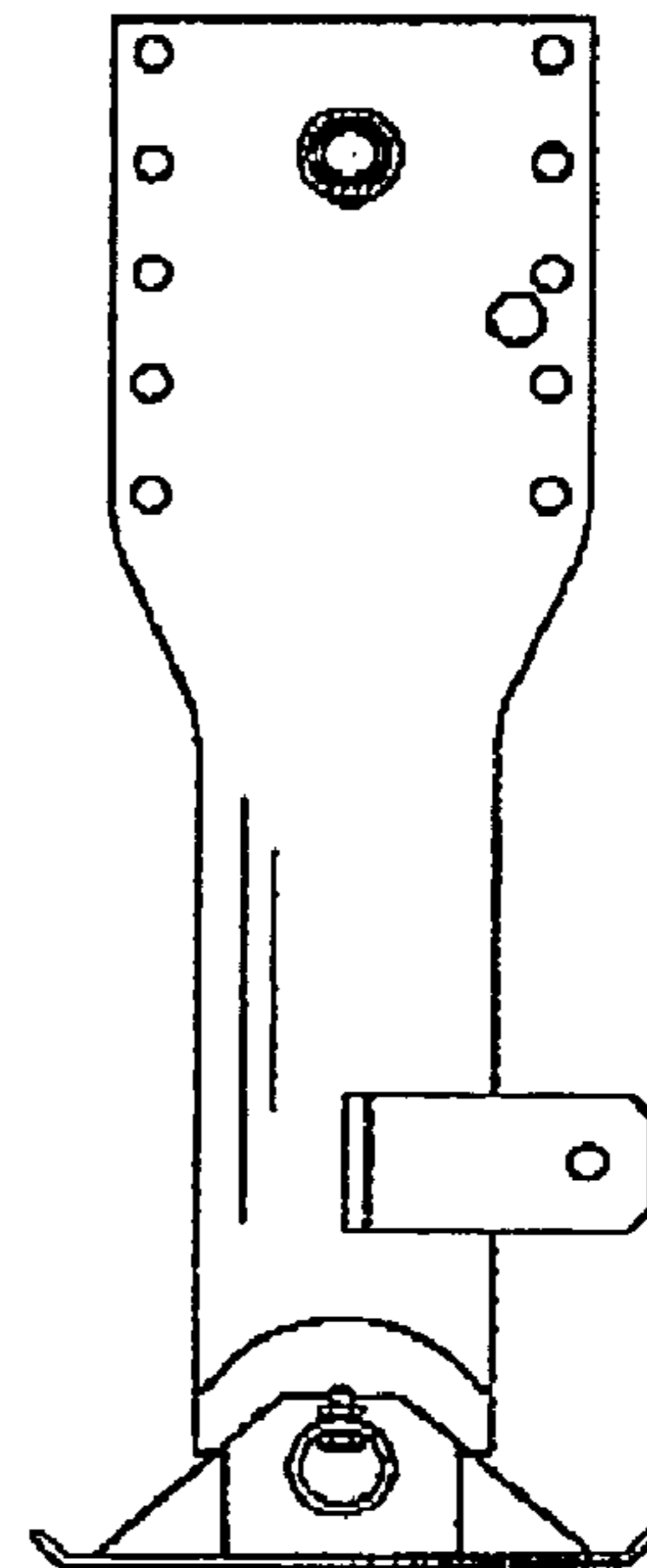


FIG. 16

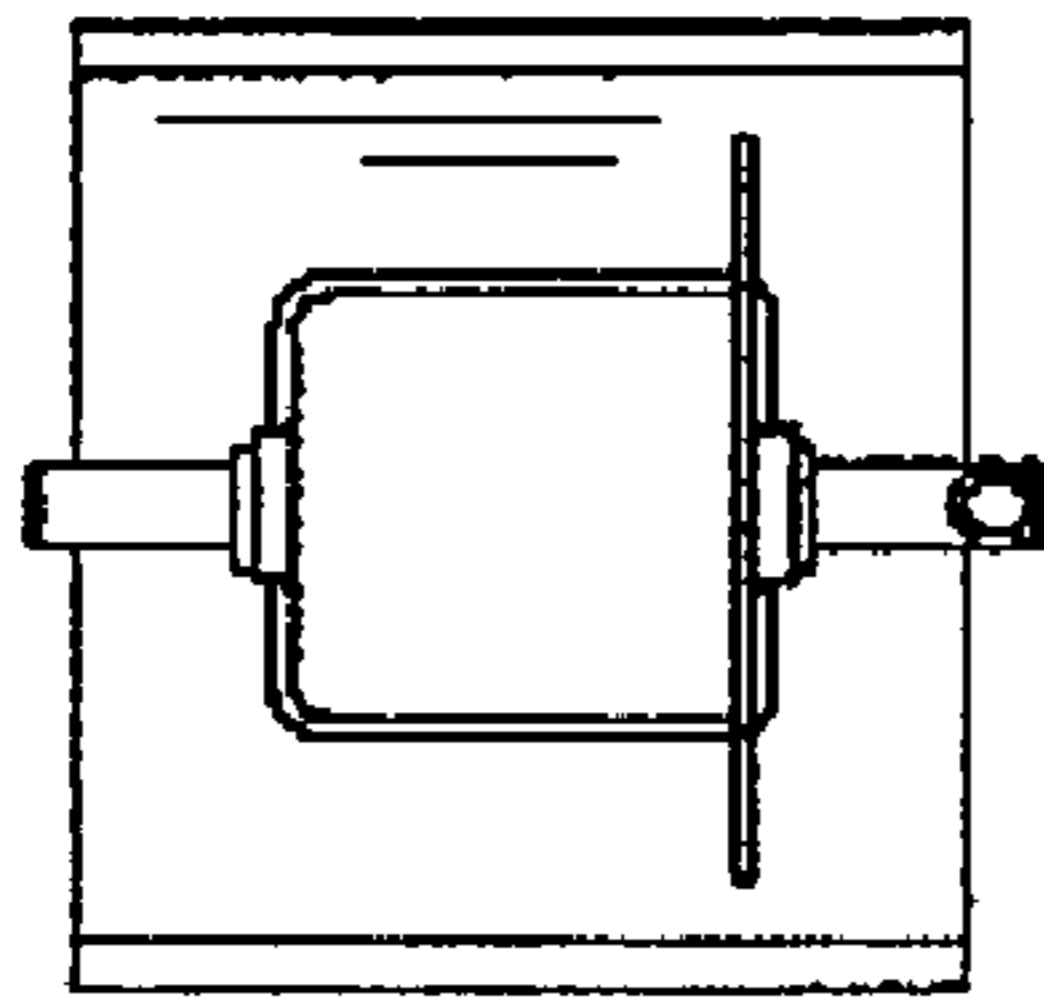


FIG. 17

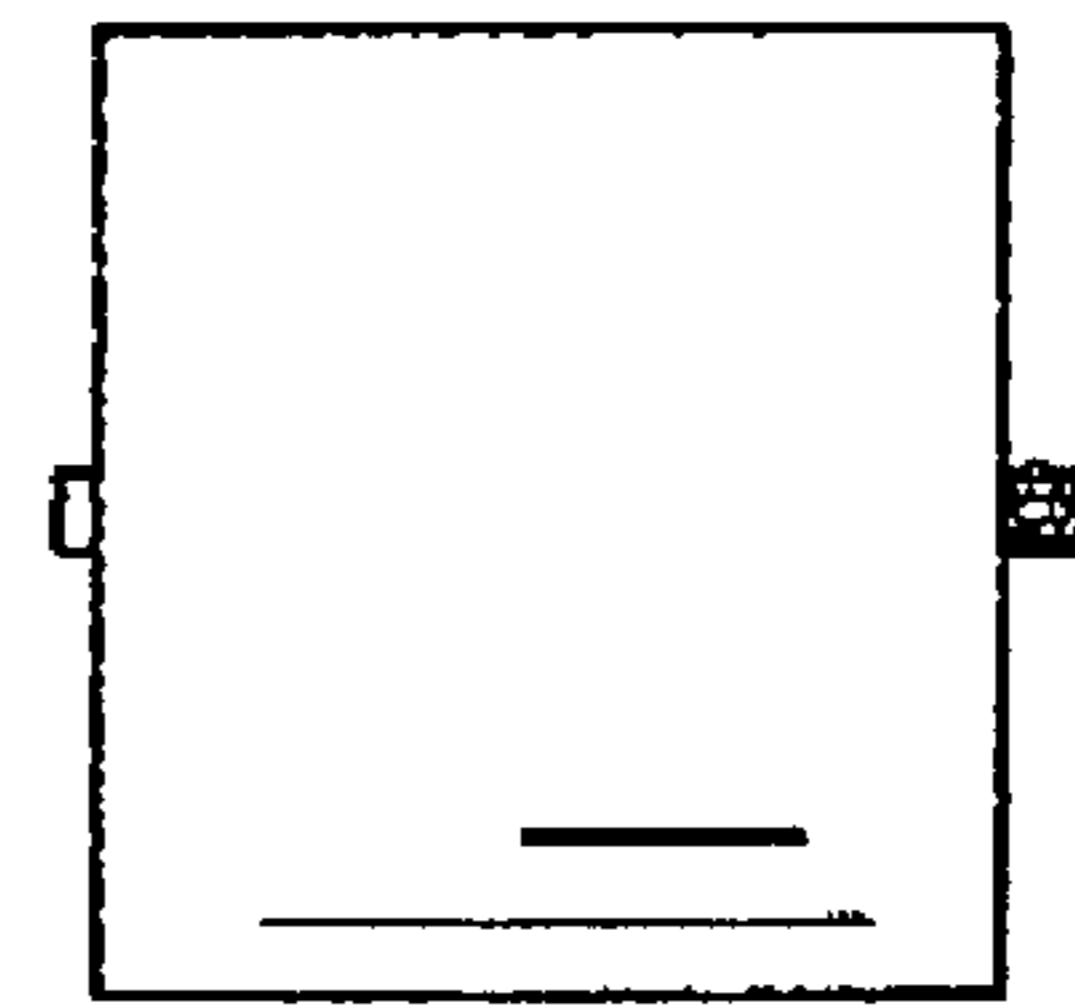


FIG. 18