



US00D636295S

(12) **United States Design Patent**  
**Eck et al.**

(10) **Patent No.:** **US D636,295 S**  
(45) **Date of Patent:** **\*\* Apr. 19, 2011**

(54) **VEHICLE**

(75) Inventors: **Richard E Eck**, Minneapolis, MN (US);  
**Bryan K Johnson**, Minneapolis, MN (US)

(73) Assignee: **Polaris Industries Inc.**, Medina, MN (US)

(\*\*) Term: **14 Years**

(21) Appl. No.: **29/338,607**

(22) Filed: **Jun. 15, 2009**

(51) **LOC (9) Cl.** ..... **12-14**

(52) **U.S. Cl.** ..... **D12/1; D12/14**

(58) **Field of Classification Search** ..... D12/87,  
D12/86, 1, 433, 15, 16, 107, 82, 88, 89, 90,  
D12/91, 92, 93, 14; D15/30; D21/803; 180/233,  
180/908; 280/DIG. 5, 183, 184, 185, 186,  
280/28, 37.7

See application file for complete search history.

(56) **References Cited**

**U.S. PATENT DOCUMENTS**

D498,435	S	*	11/2004	Saito et al.	.....	D12/1
D503,905	S	*	4/2005	Saito et al.	.....	D12/1
D555,036	S		11/2007	Eck		
2008/0023240	A1		1/2008	Sunsdahl et al.		
2008/0023249	A1		1/2008	Sunsdahl et al.		
2008/0308334	A1		12/2008	Leonard et al.		
2009/0000849	A1		1/2009	Leonard et al.		
2009/0071737	A1		3/2009	Leonard et al.		
2009/0071739	A1		3/2009	Leonard et al.		
2009/0091101	A1		4/2009	Leonard et al.		
2009/0121518	A1		5/2009	Leonard et al.		
2009/0183937	A1		7/2009	Yamamura et al.		
2009/0184534	A1		7/2009	Smith et al.		
2009/0184536	A1		7/2009	Kubota		
2009/0184537	A1		7/2009	Yamamura et al.		
2009/0184541	A1		7/2009	Yamamura et al.		
2009/0301830	A1		12/2009	Kinsman et al.		
2009/0302590	A1		12/2009	Van Bronkhorst et al.		

**OTHER PUBLICATIONS**

Polaris Industries, Ranger Catalog, 2007 (28 pgs.).

Polaris Industries, Ranger Catalog, 2008 (32 pgs.).  
Pictures of Vehicle publicly disclosed in Jul. 2008 (3 pages).  
Robby Gordon's RZR-S 4 seater—Yamaha Rhino Forum—Rhino  
Forums.net, dated Nov. 11, 2008 (14 pages).  
2008 Dealer Expo Top UTV Products—Rhinos, Rangers and RZR  
were everything at th . . . , dated Feb. 18, 2008, (6 pages).

\* cited by examiner

*Primary Examiner* — T. Chase Nelson

*Assistant Examiner* — Ania K Dworzecka

(74) *Attorney, Agent, or Firm* — Baker & Daniels LLP

(57) **CLAIM**

We claim the ornamental design for the vehicle, as shown and described:

**DESCRIPTION**

We further expressly incorporate by reference the specification and drawings of related application U.S. patent application Ser. No. 12/484,888, filed Jun. 15, 2009, titled "Side-By-Side Vehicle," the disclosure of which is expressly incorporated by reference herein.

FIG. 1 shows a front left perspective view of a vehicle showing our new design;

FIG. 2 shows a rear left perspective view of the vehicle shown in FIG. 1;

FIG. 3 shows a left side elevation view of the vehicle shown in FIG. 1;

FIG. 4 shows a right side elevation view of the vehicle shown in FIG. 1;

FIG. 5 shows a top plan view of the vehicle shown in FIG. 1;

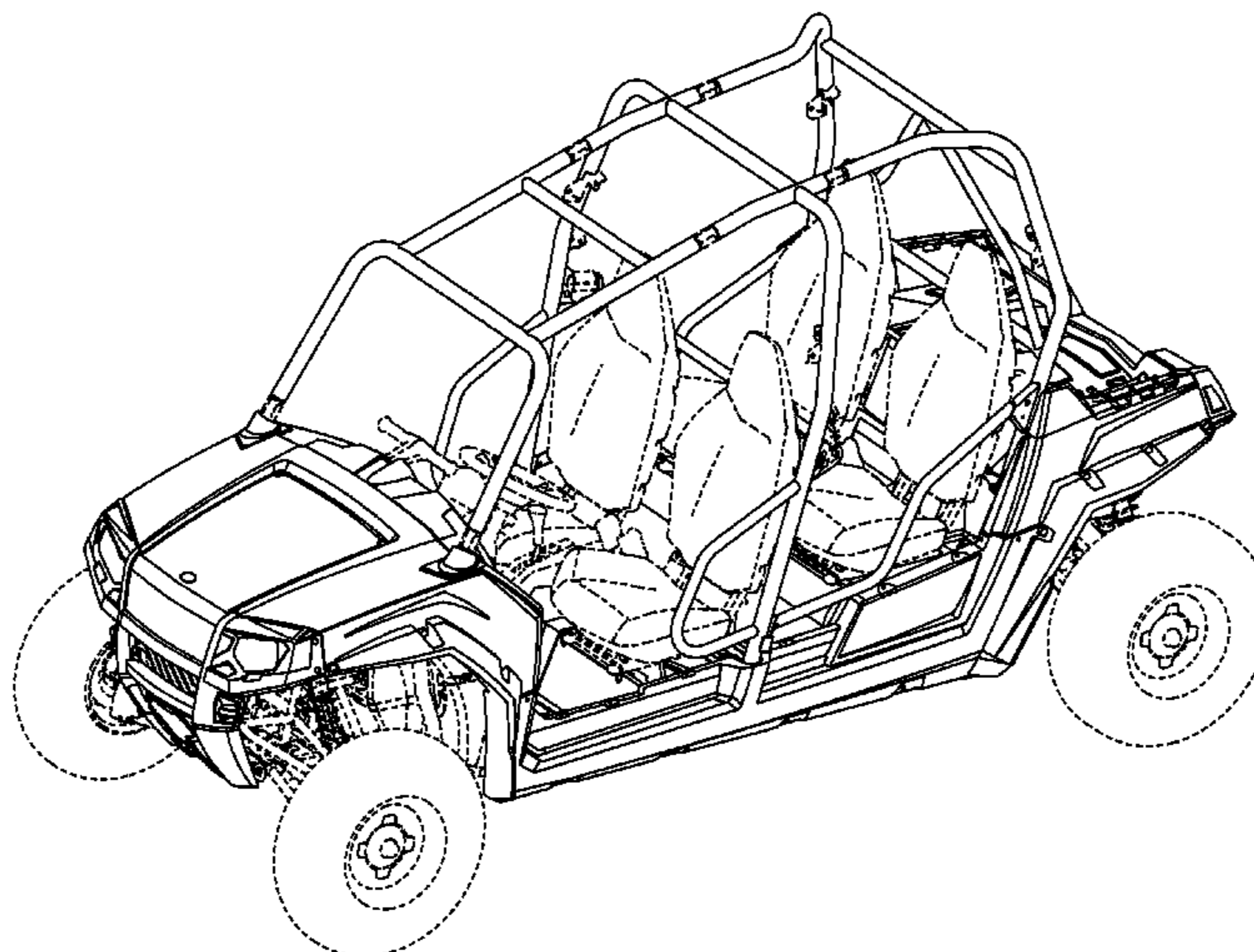
FIG. 6 shows a bottom plan view of the vehicle shown in FIG. 1;

FIG. 7 shows a front elevation view of the vehicle shown in FIG. 1; and,

FIG. 8 shows a rear elevation view of the vehicle shown in FIG. 1.

The broken lines showing other portions of a vehicle illustrate environmental structure that forms no part of the claimed design.

**1 Claim, 7 Drawing Sheets**



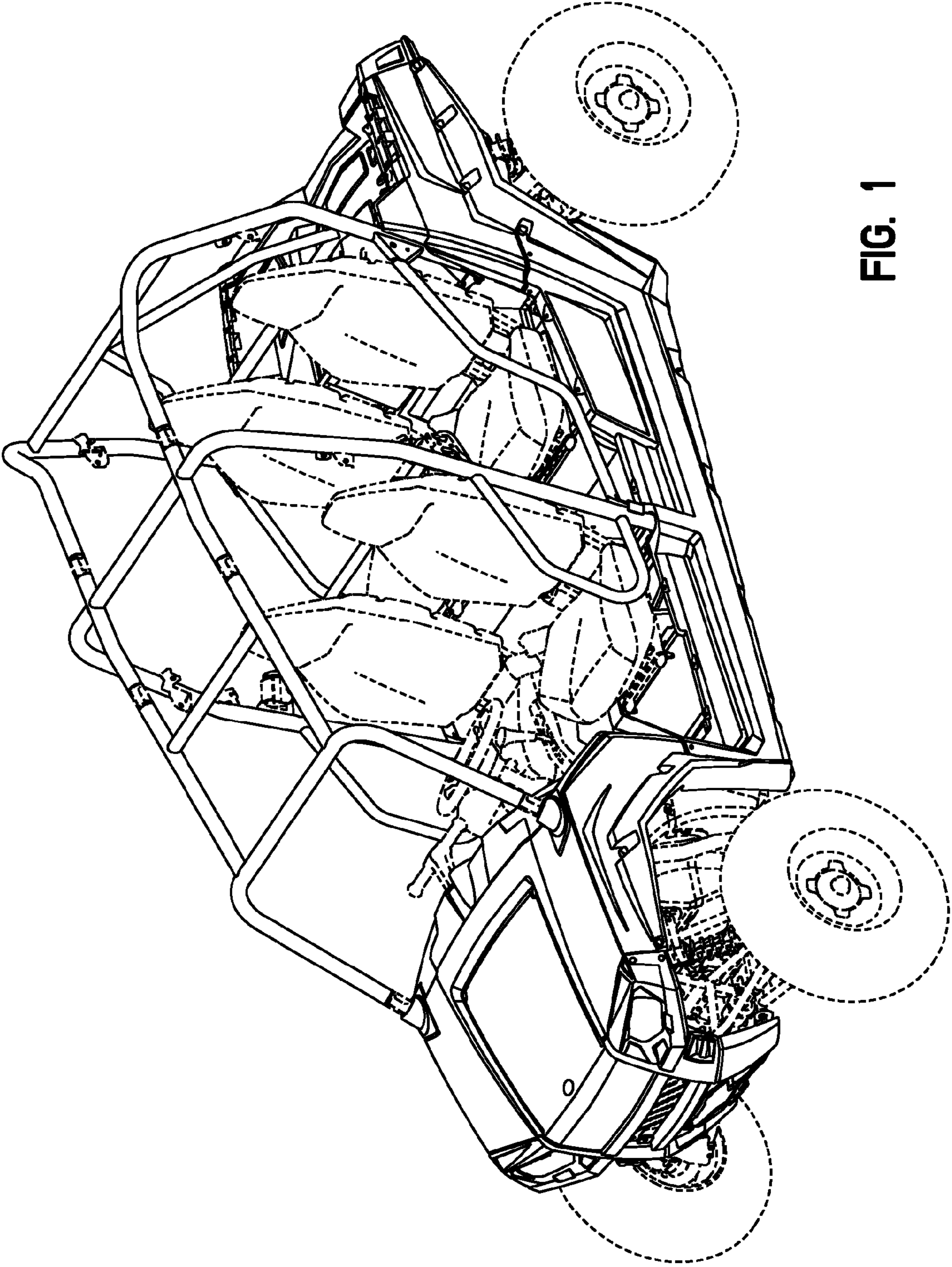


FIG. 1

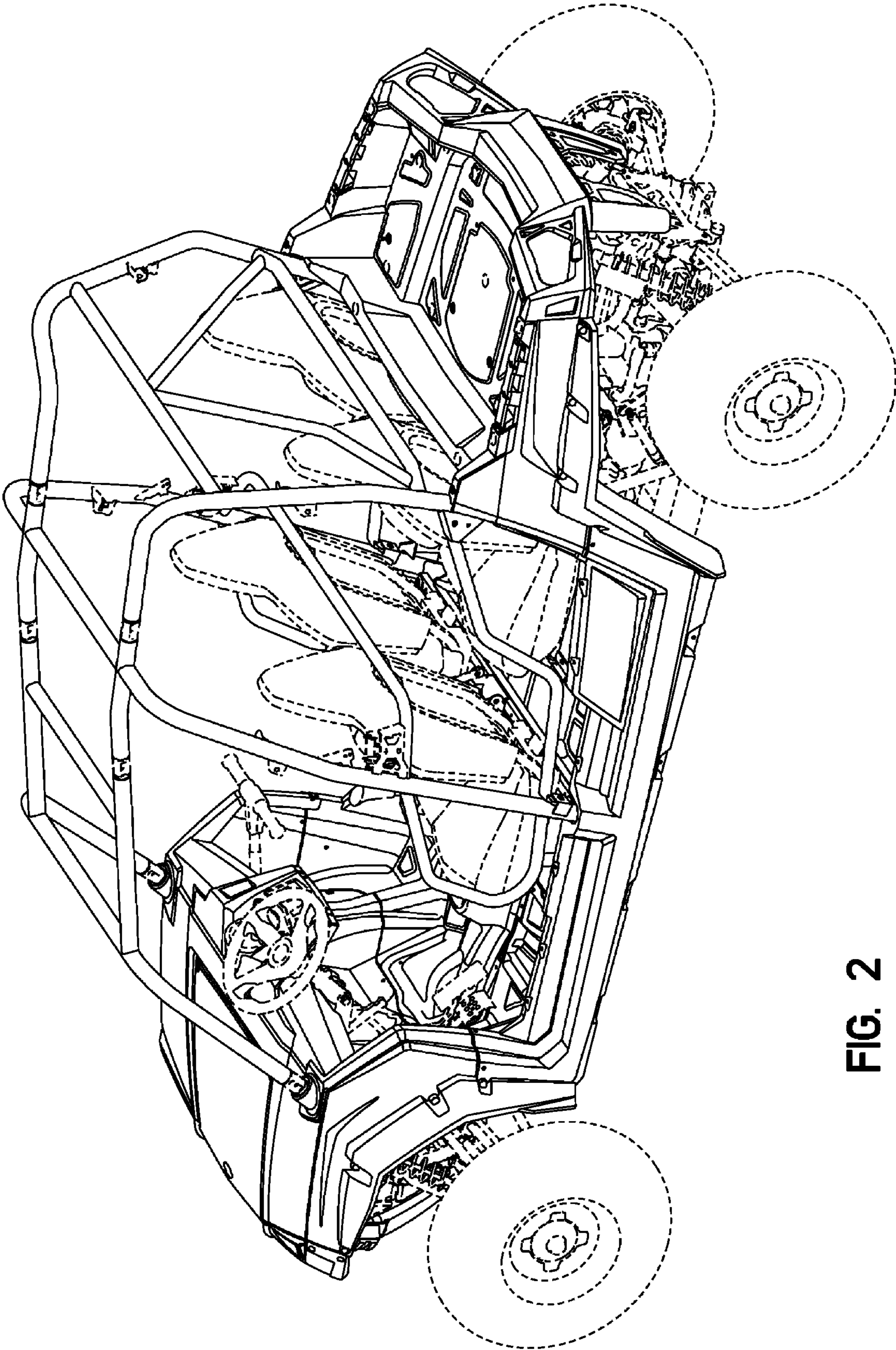


FIG. 2

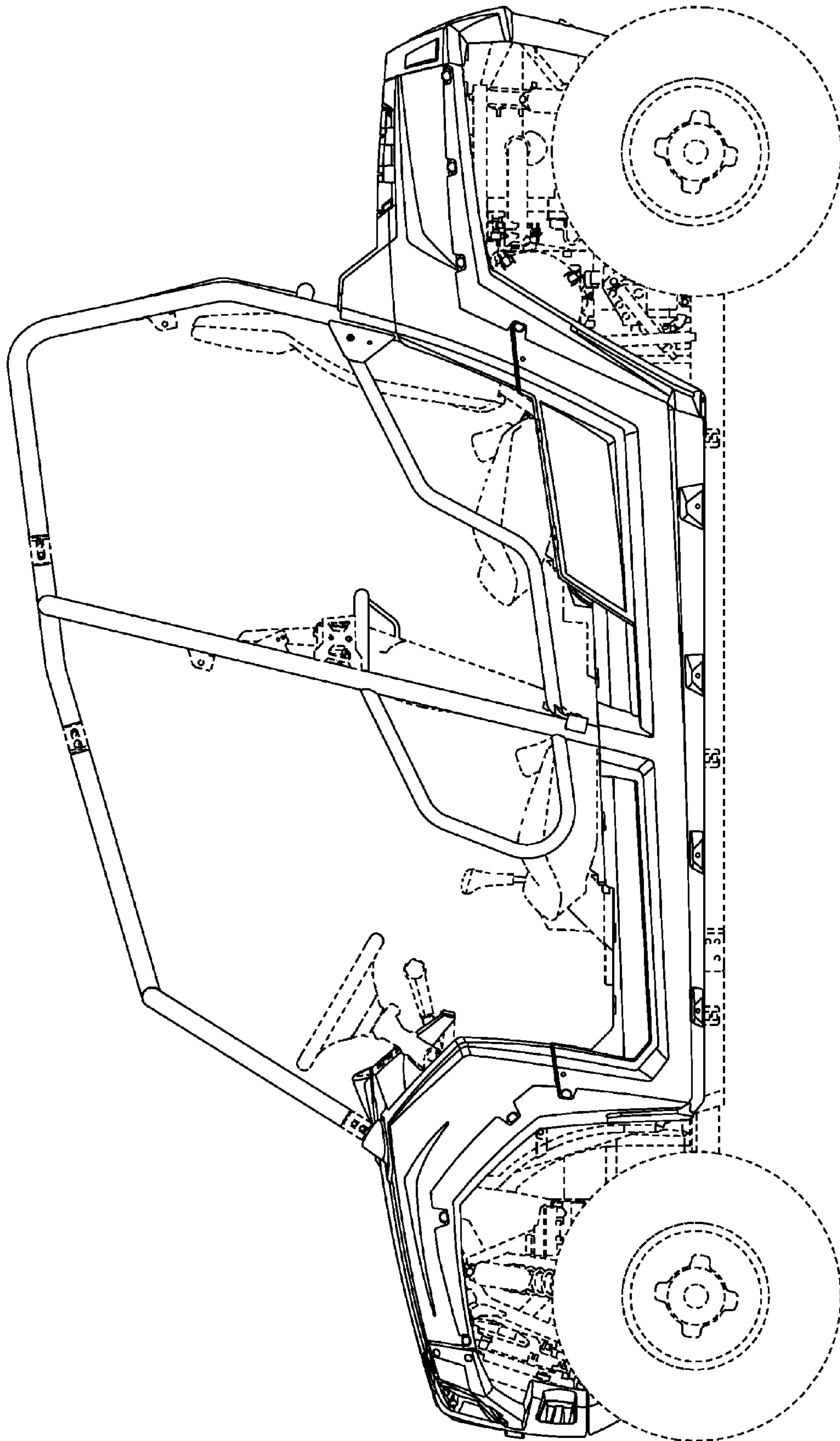


FIG. 3

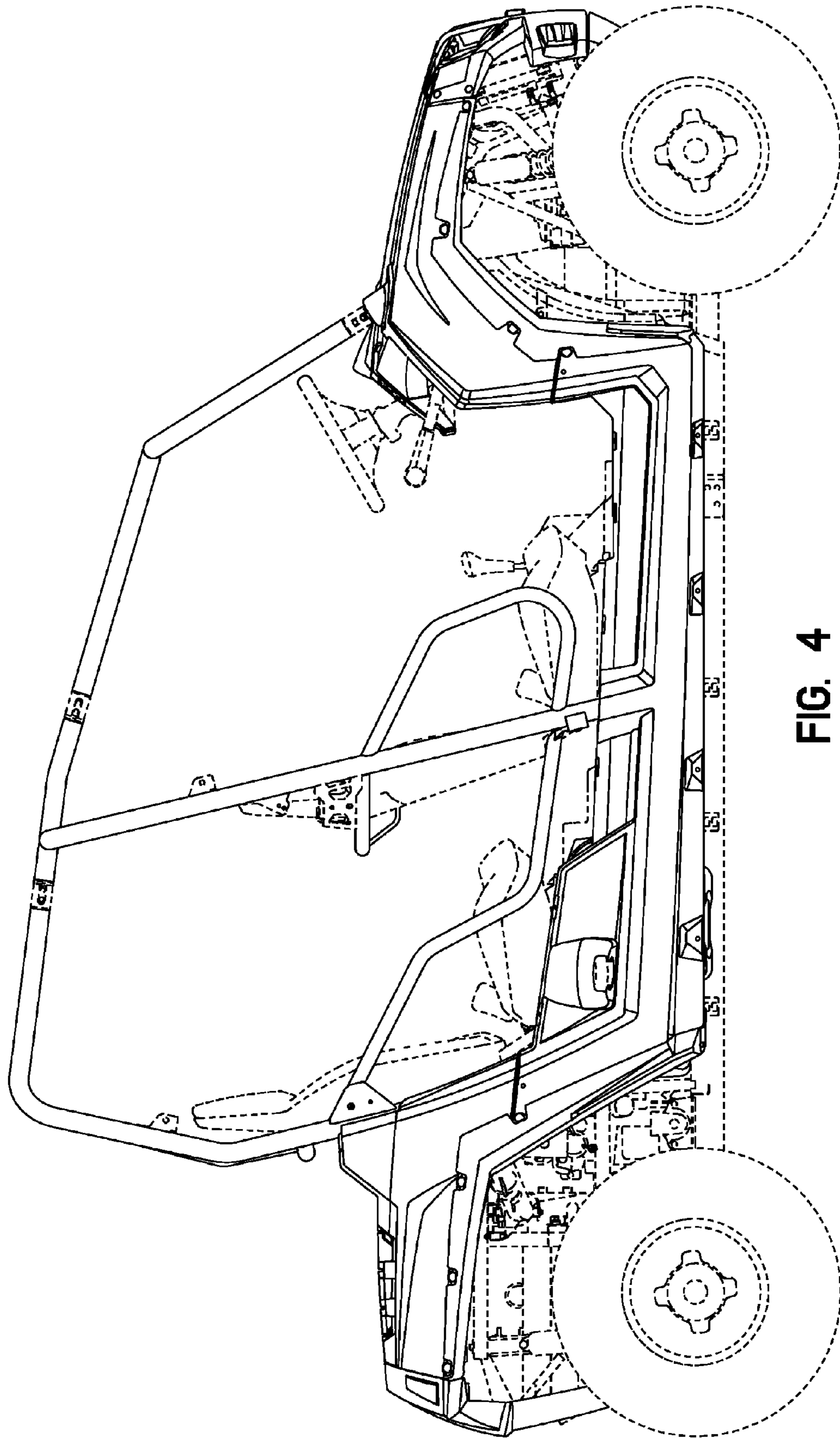


FIG. 4

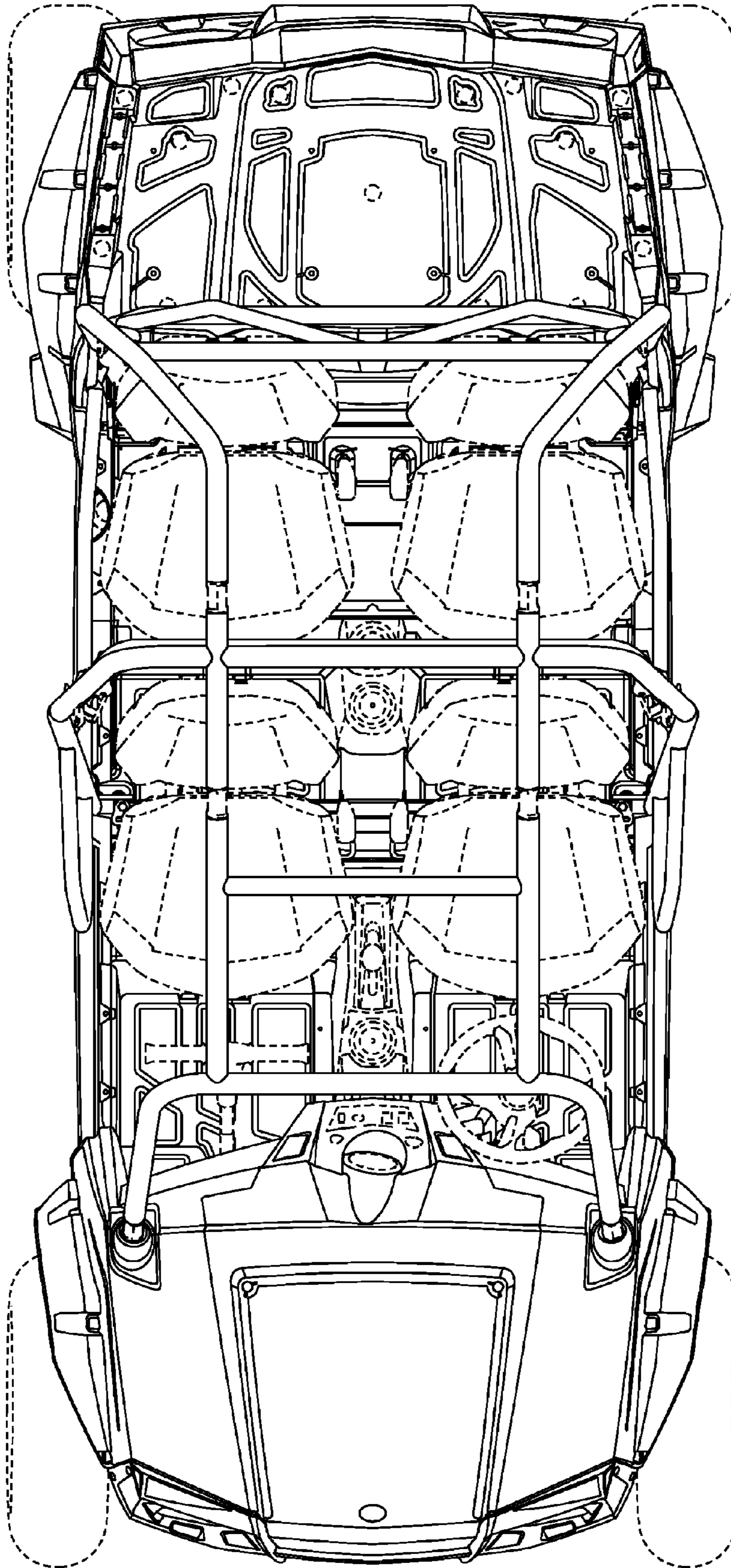


FIG. 5

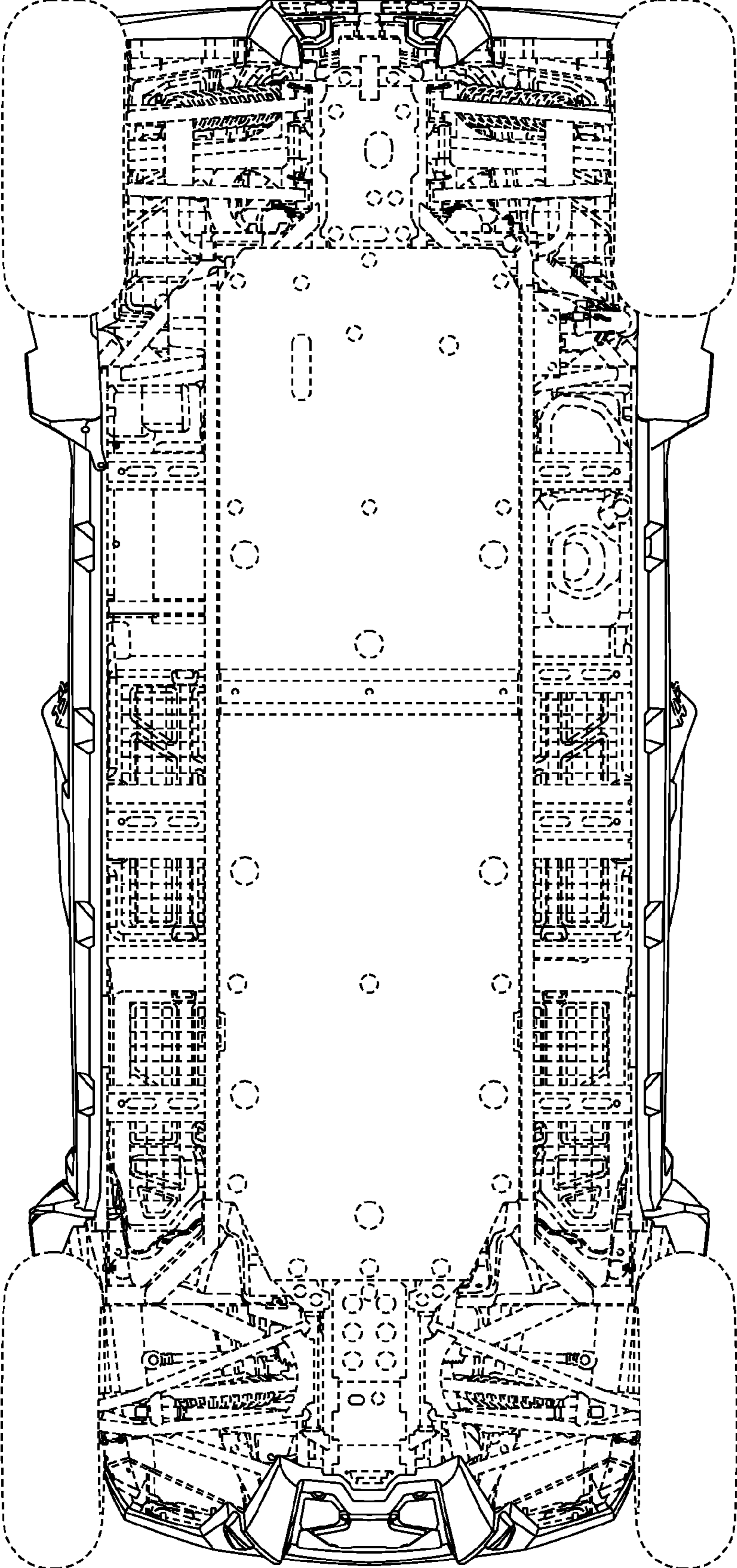


FIG. 6

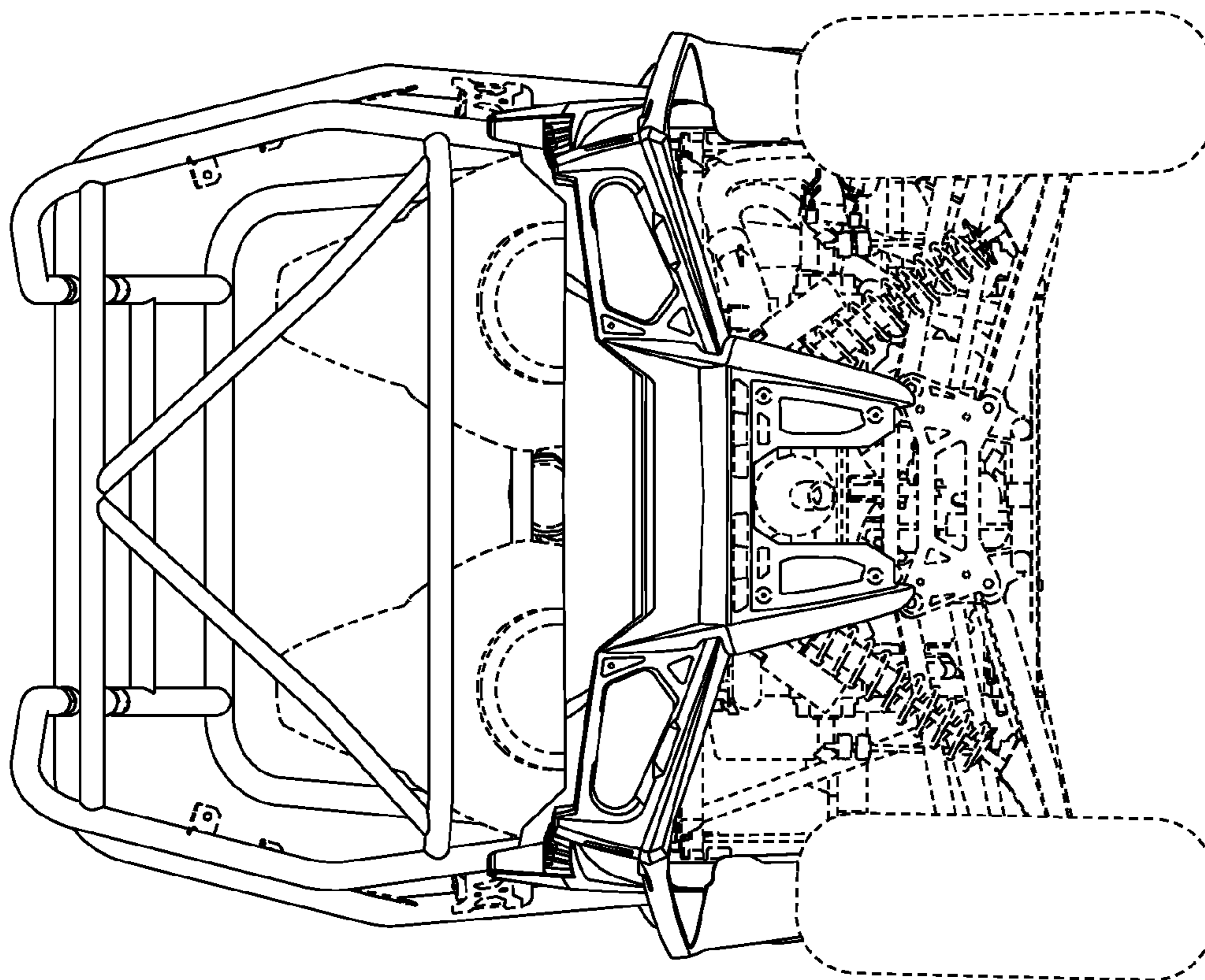


FIG. 8

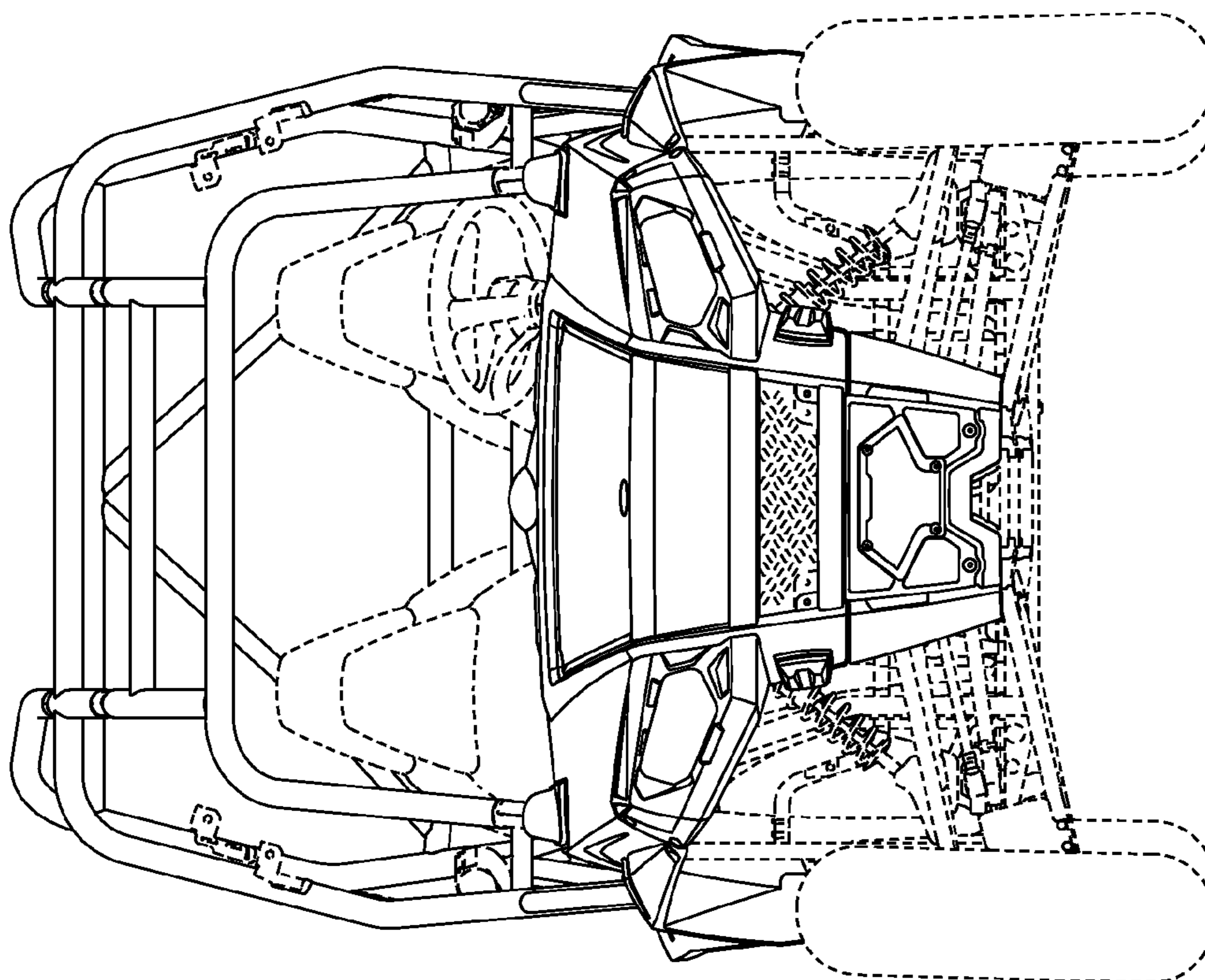


FIG. 7