



US00D636291S

(12) **United States Design Patent**
Krauss et al.

(10) **Patent No.:** **US D636,291 S**
(45) **Date of Patent:** **** Apr. 19, 2011**

(54) **REVERSIBLE BUCKLE**

(75) Inventors: **Mark Krauss**, East Greenwich, RI (US);
Stephen J. Yardan, Branford, CT (US)

(73) Assignee: **American Cord & Webbing Co., Inc.**,
Woonsocket, RI (US)

(**) Term: **14 Years**

(21) Appl. No.: **29/363,561**

(22) Filed: **Jun. 11, 2010**

(51) **LOC (9) Cl.** **02-07**

(52) **U.S. Cl.** **D11/218**

(58) **Field of Classification Search** D11/1-2,
D11/200-201, 206-210, 214-218; 24/163 R,
24/169-171, 173, 177-179, 191, 194-195,
24/197, 200, 614-616, 625, 198

See application file for complete search history.

(56) **References Cited**

U.S. PATENT DOCUMENTS

2,901,801	A	9/1959	Girodet	
3,121,270	A *	2/1964	Van Den Broek et al.	24/312
4,457,051	A	7/1984	Bartolini	
4,677,711	A	7/1987	Anscher	
5,177,837	A	1/1993	Rekuc	
D346,766	S *	5/1994	Franklin	D11/218
D350,712	S *	9/1994	D'Ambrosio et al.	D11/218
5,432,985	A	7/1995	Bernart	
5,915,540	A	6/1999	Chou	
D435,807	S *	1/2001	Anscher	D11/200
6,247,210	B1	6/2001	Hamilton	
D447,091	S	8/2001	Fildan et al.	
6,435,940	B1	8/2002	Fildan et al.	
6,916,066	B2	7/2005	Sedlack	
D511,122	S	11/2005	Hurn	
7,100,249	B2	9/2006	Hurn	
7,299,527	B1	11/2007	Gyure	
2007/0089277	A1	4/2007	Bacalso et al.	

FOREIGN PATENT DOCUMENTS

CA	2018972	A1	12/1991
ES	2136555		11/1999
ES	2209663		6/2004
JP	11113611		9/1997

OTHER PUBLICATIONS

Title: Home->OKASTUC BYCJKE SERUESE->Swivel Hook<1>page Source: gdk-buckle.com URL: http://gdk-buckle.com/new_page_44.htm.

Author: BlackhawkCY Source: MilitaryPhotos.net URL: http://www.militaryphotos.net/forums/showthread.php?150070-What-is-the-name-of-this-buckle/page 2.

Title: Corporate Logo Plastic Premium Heavy Duty J-hook Buckle Release for Lanyard Source: Promopeddler.com URL: http://www.promopeddler.com/03-74/plastic-premium-heavy-duty-j-hook-buckle-release-lanyard-qpp365551.htm.

Title: New Metal Buckles Source: The Voodoo Climbing Blog URL: http://voodooclimbing.blogspot.com/2009/03/new-metal-buckles.html.

* cited by examiner

Primary Examiner — Ralf Seifert

(74) *Attorney, Agent, or Firm* — Barlow, Josephs & Holmes, Ltd

(57) **CLAIM**

The ornamental design for a reversible buckle, as shown.

DESCRIPTION

FIG. 1 is a front perspective view of a reversible buckle showing our new design;

FIG. 2 is a rear perspective view thereof;

FIG. 3 is a top view thereof;

FIG. 4 is a bottom view thereof;

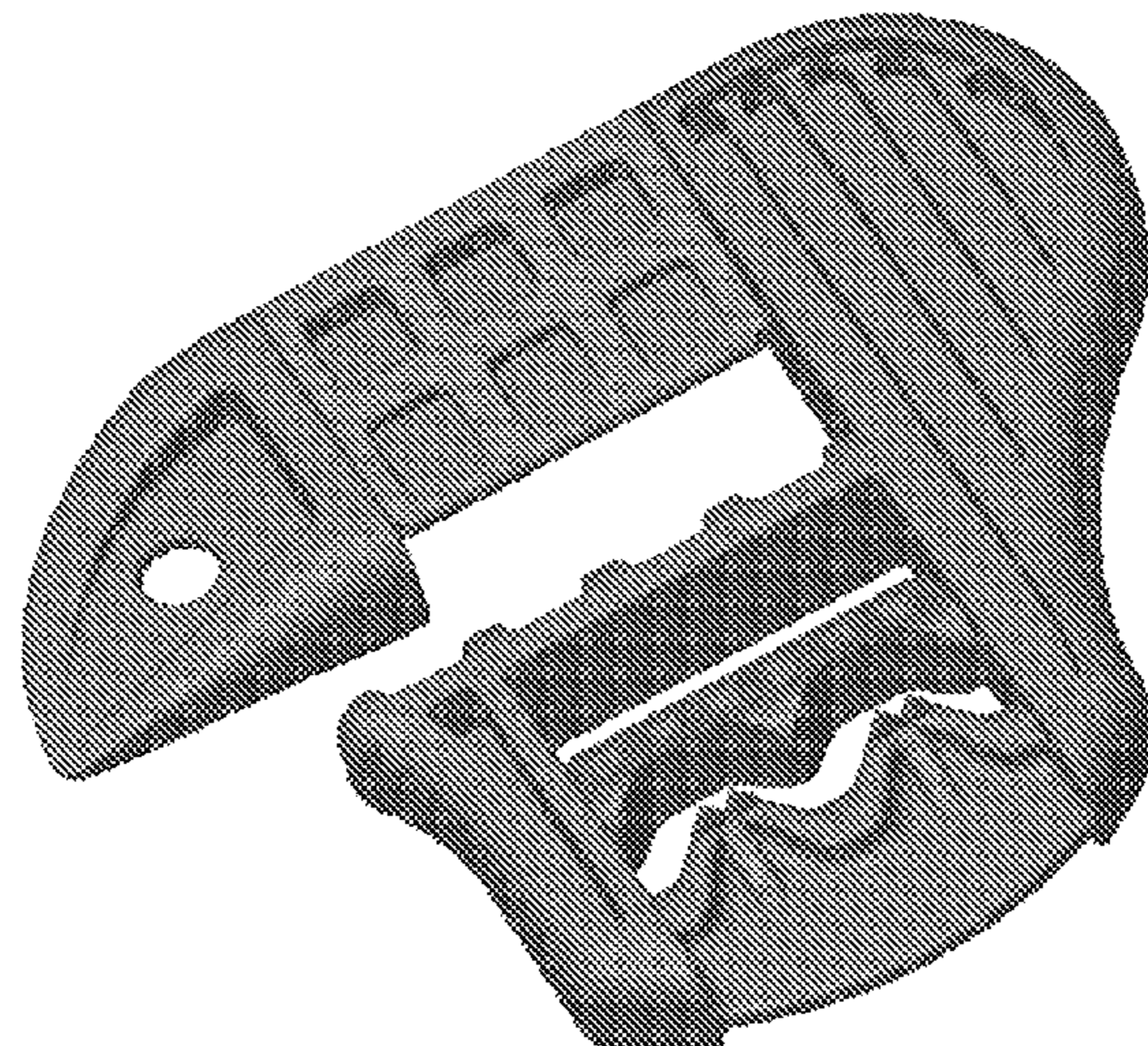
FIG. 5 is a front elevational view thereof;

FIG. 6 is a rear elevational view thereof;

FIG. 7 is a left side elevational view thereof; and,

FIG. 8 is a right side elevational view thereof.

1 Claim, 3 Drawing Sheets



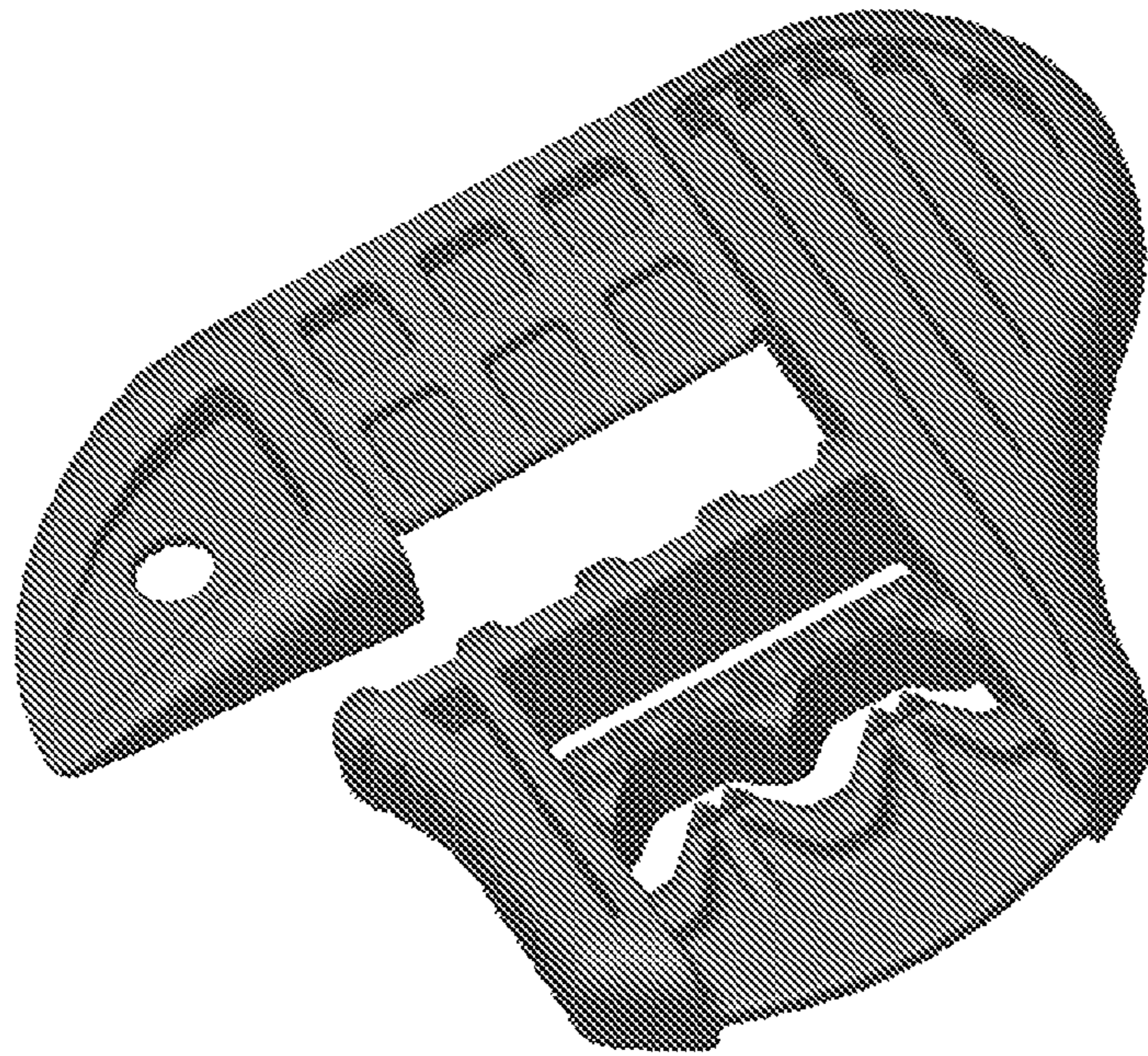


Fig. 1

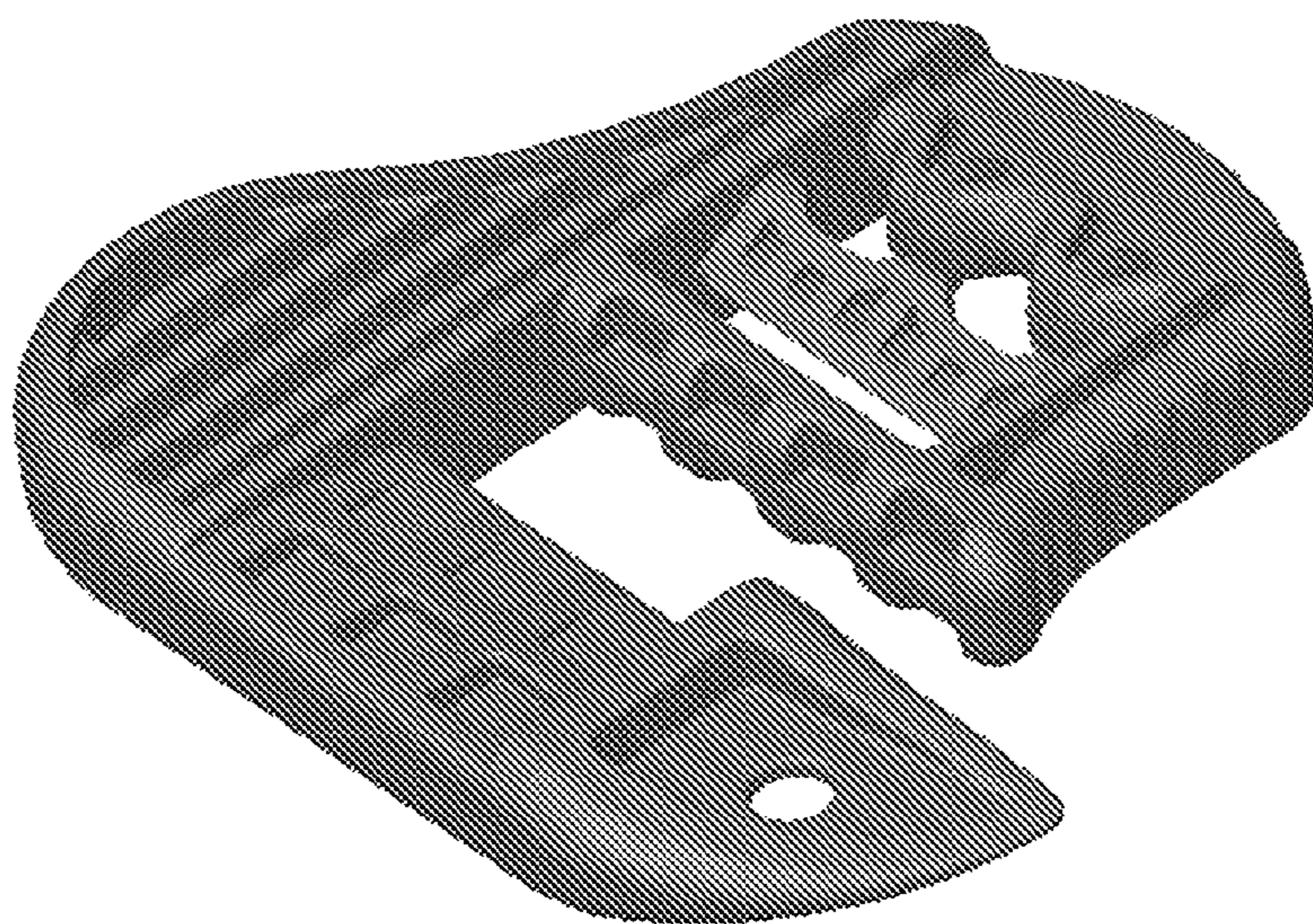


Fig. 2

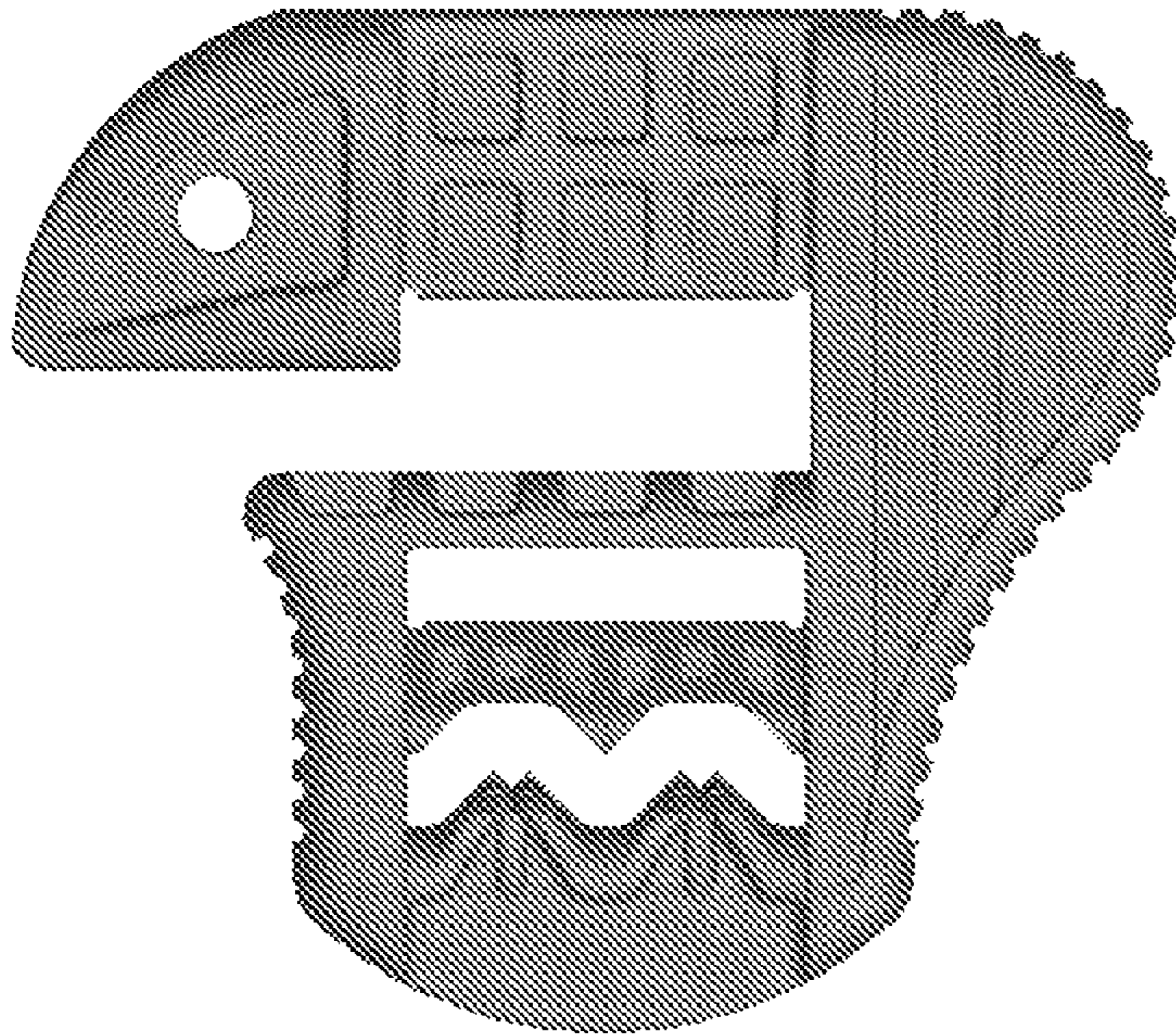


Fig. 3

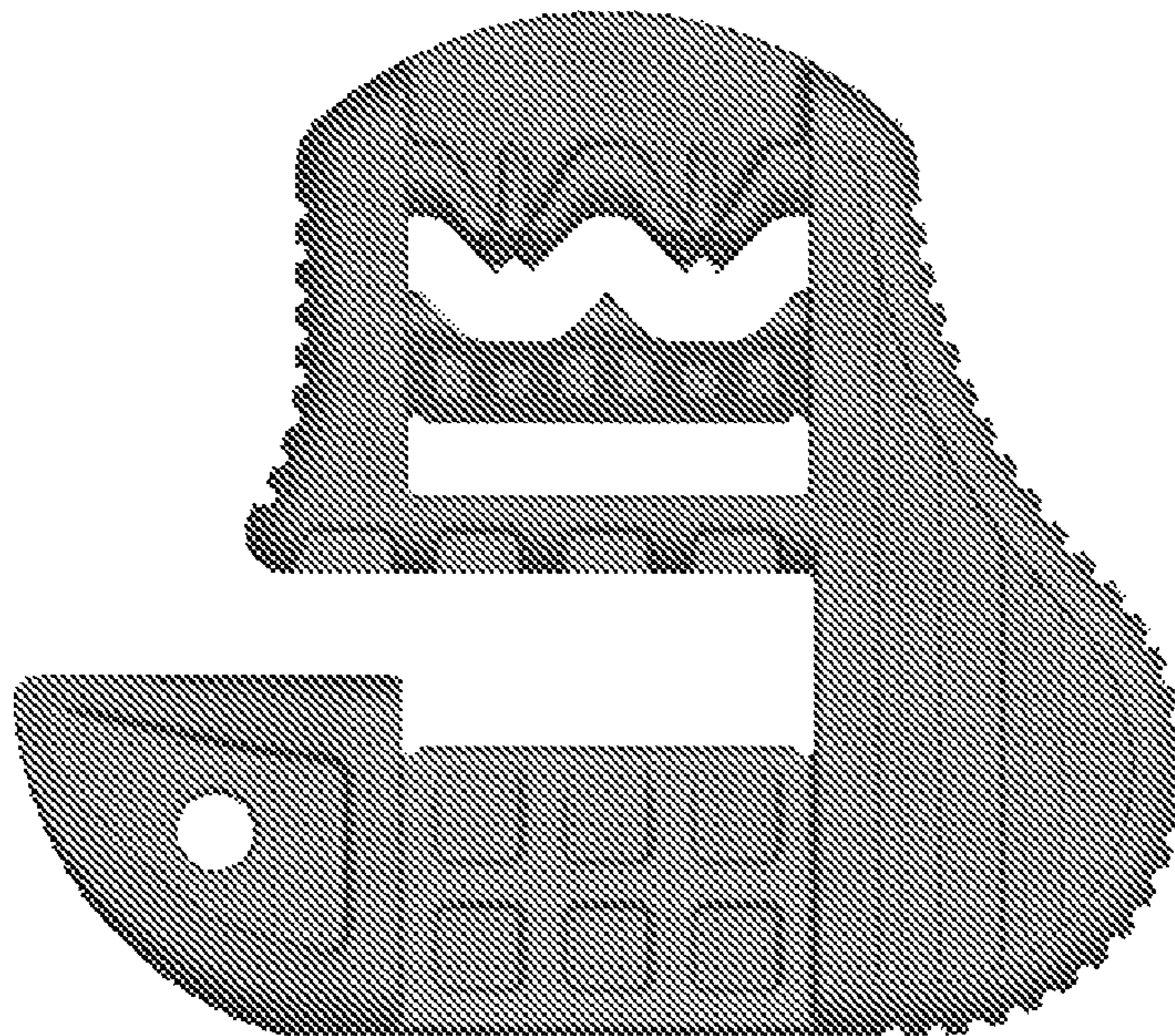


Fig. 4

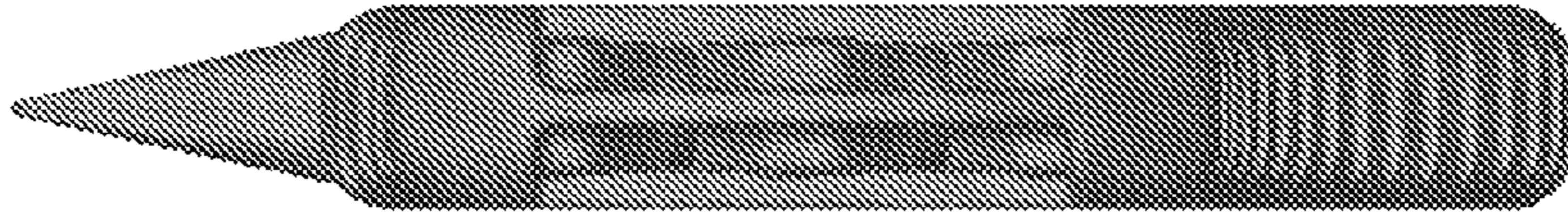


Fig. 5

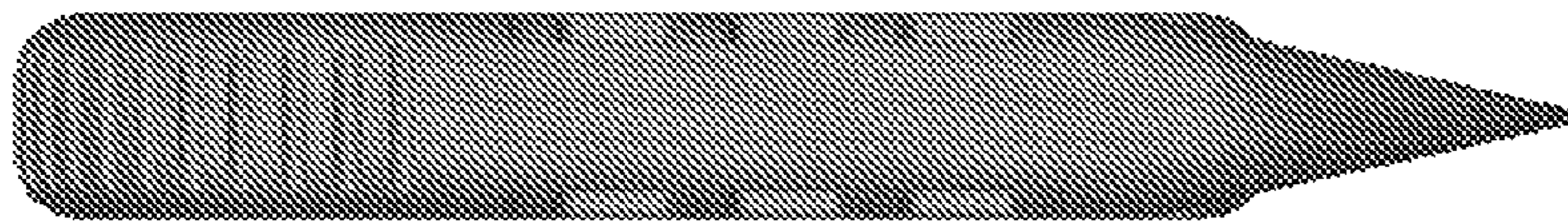


Fig. 6

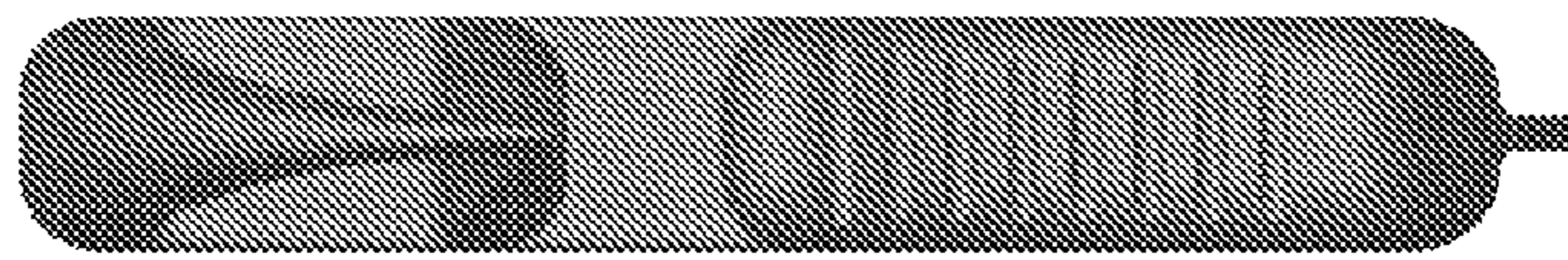


Fig. 7

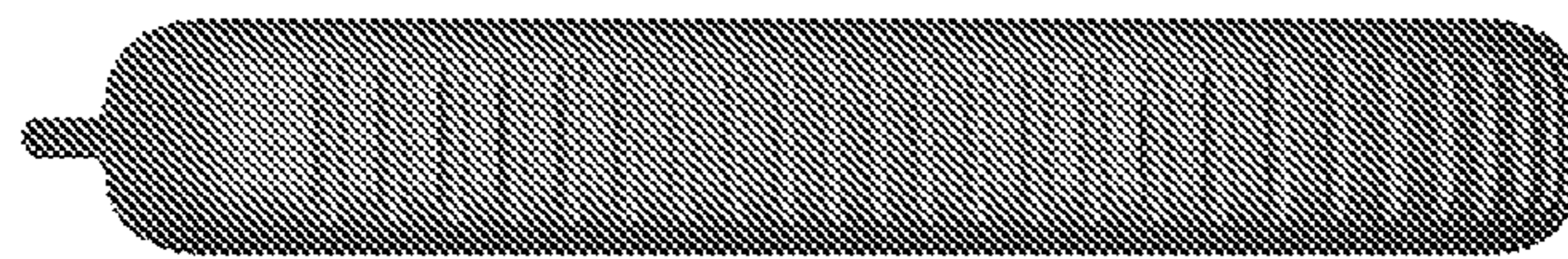


Fig. 8