



US00D636290S

(12) **United States Design Patent**
Sonneveld

(10) **Patent No.:** **US D636,290 S**
(45) **Date of Patent:** **** Apr. 19, 2011**

(54) **VASE FOR FLOWERS HAVING A HEART-LIKE SHAPE**

(76) Inventor: **Maarten Gijsbertus Sonneveld,**
Vierpolders (NL)

(**) Term: **14 Years**

(21) Appl. No.: **29/314,526**

(22) Filed: **Apr. 6, 2009**

(30) **Foreign Application Priority Data**

Oct. 7, 2008 (EM) 001016083-0001

(51) **LOC (9) Cl.** **11-02**

(52) **U.S. Cl.** **D11/149**

(58) **Field of Classification Search** D6/403-406,
D6/556-558; D8/1; D11/143-156, 164;
D19/77, 80-82, 84; D23/355, 356; D25/100;
D26/9-11, 16, 20, 22; D34/1, 2, 4-6; D99/5,
D99/19; 47/32.4, 32.5, 32.7, 33, 39, 41.01,
47/41.1, 41.11-41.15, 42-47, 65, 65.5, 65.9,
47/66.1, 66.6, 66.7, 67-71

See application file for complete search history.

(56) **References Cited**

U.S. PATENT DOCUMENTS

D102,141 S * 12/1936 Newton D11/143
D193,583 S * 9/1962 Bostrom D11/149

D330,812 S * 11/1992 Johnson D6/405
D362,784 S * 10/1995 Sperry et al. D11/155
6,032,409 A * 3/2000 Obonai et al. 47/44
6,209,258 B1 * 4/2001 Schneider 47/46
D518,755 S * 4/2006 Kavur D11/149
D524,075 S * 7/2006 Jenkins D6/405
7,143,543 B1 * 12/2006 Daniell 47/39
D577,312 S * 9/2008 Kahan D11/149
D602,283 S * 10/2009 Glenn D6/403

* cited by examiner

Primary Examiner — Garth Rademaker

(74) *Attorney, Agent, or Firm* — Abelman, Frayne & Schwab

(57) **CLAIM**

The ornamental design for a vase for flowers having a heart-like shape, as shown and described.

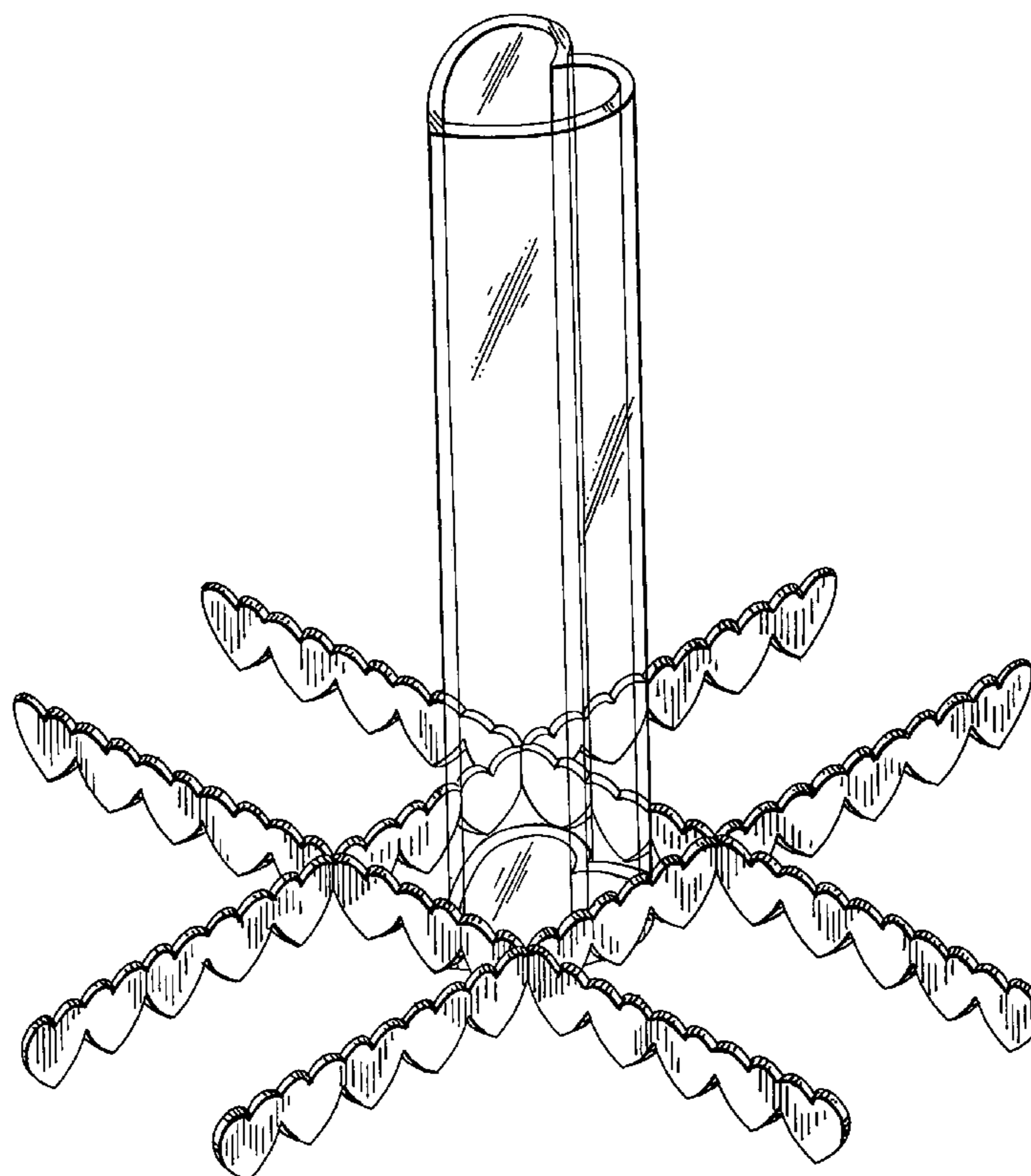
DESCRIPTION

FIG. 1 is a top, front and right side perspective view of a vase for flowers having a heart-like shape according to my new design;

FIG. 2 is a top, front and right side perspective view thereof, shown with the center element separated, for ease of disclosure; and,

FIG. 3 is a top, rear and right side perspective view thereof, shown in a storage state.

1 Claim, 3 Drawing Sheets



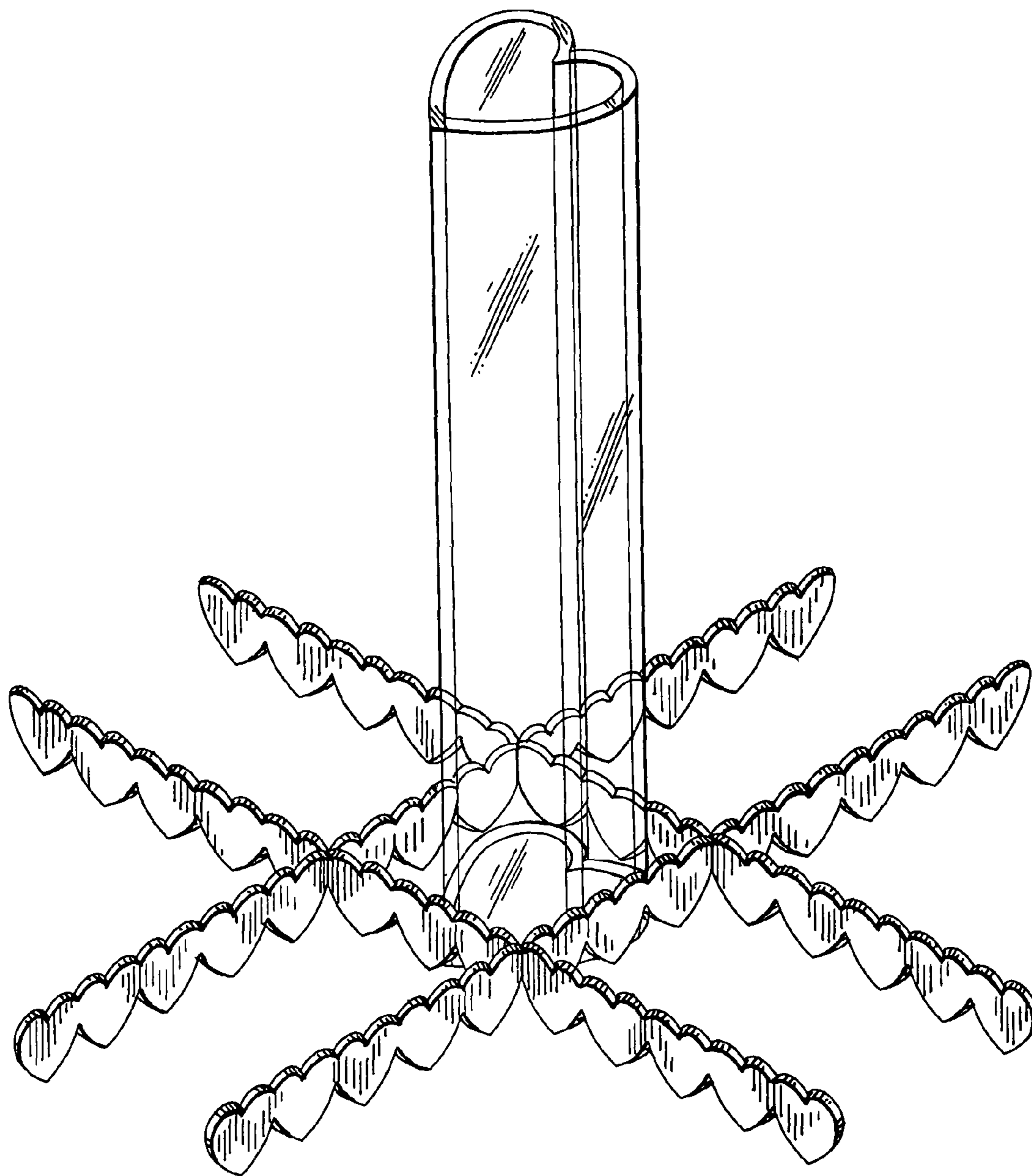
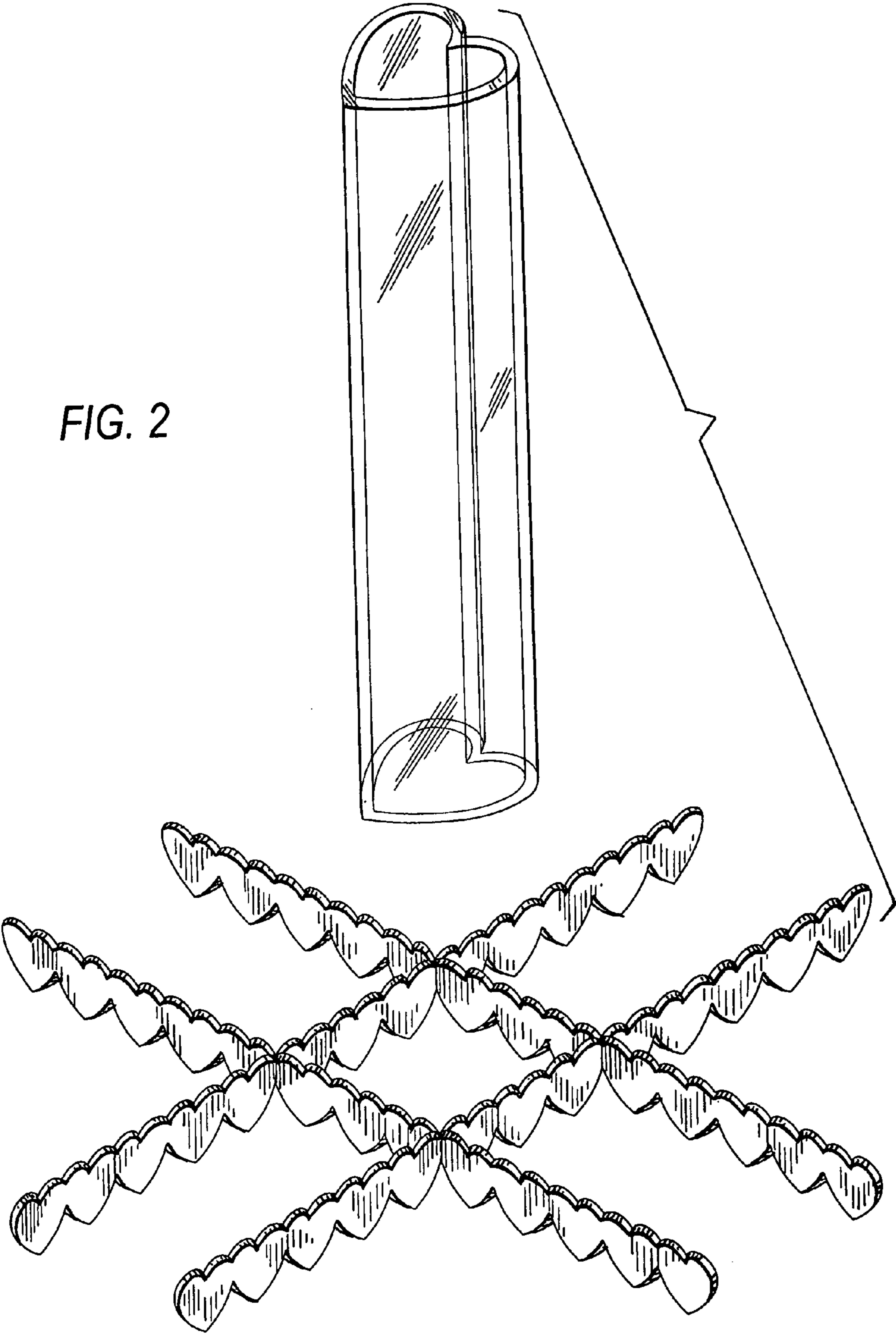


FIG. 1

FIG. 2



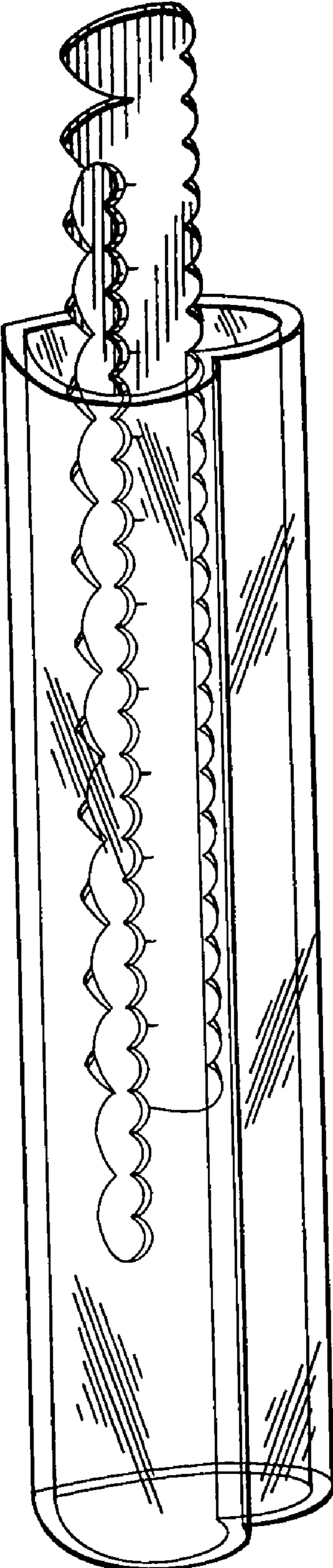


FIG. 3