



US00D636288S

(12) **United States Design Patent**  
**Gaspard**

(10) **Patent No.:** **US D636,288 S**

(45) **Date of Patent:** **\*\* Apr. 19, 2011**

(54) **RING**

(75) Inventor: **Caroline Gaspard**, Onnaing (FR)

(73) Assignee: **Akillis**

(\*\*) Term: **14 Years**

(21) Appl. No.: **29/380,961**

(22) Filed: **Dec. 14, 2010**

(30) **Foreign Application Priority Data**

Jun. 18, 2010 (WO) ..... DM/073 783

(51) **LOC (9) Cl.** ..... **11-01**

(52) **U.S. Cl.** ..... **D11/30**

(58) **Field of Classification Search** ..... D11/26-39,  
D11/67, 89-92, 3, 4, 5; 63/15, 15.1, 15.2,  
63/15.3, 15.4, 15.45, 15.5, 15.6, 15.65, 15.7,  
63/26-28; D22/116  
See application file for complete search history.

(56) **References Cited**

**U.S. PATENT DOCUMENTS**

1,286,610 A \* 12/1918 Harriman ..... 63/15  
D163,424 S \* 5/1951 Simpson ..... D11/27  
D244,675 S \* 6/1977 Mobell ..... D11/35  
D267,483 S \* 1/1983 Wefler ..... D11/30

D383,996 S \* 9/1997 Bulgari ..... D11/26  
D430,814 S \* 9/2000 Lauper ..... D11/26  
D505,633 S \* 5/2005 Hardy ..... D11/26  
D564,666 S \* 3/2008 Klearman ..... D24/215  
D601,710 S \* 10/2009 Klearman ..... D24/215  
D608,236 S \* 1/2010 Akdemir ..... D11/26  
D630,122 S \* 1/2011 Gaspard ..... D11/73

\* cited by examiner

*Primary Examiner* — Cathron C Brooks

*Assistant Examiner* — Melanie Levy

(74) *Attorney, Agent, or Firm* — Norris McLaughlin & Marcus P.A.

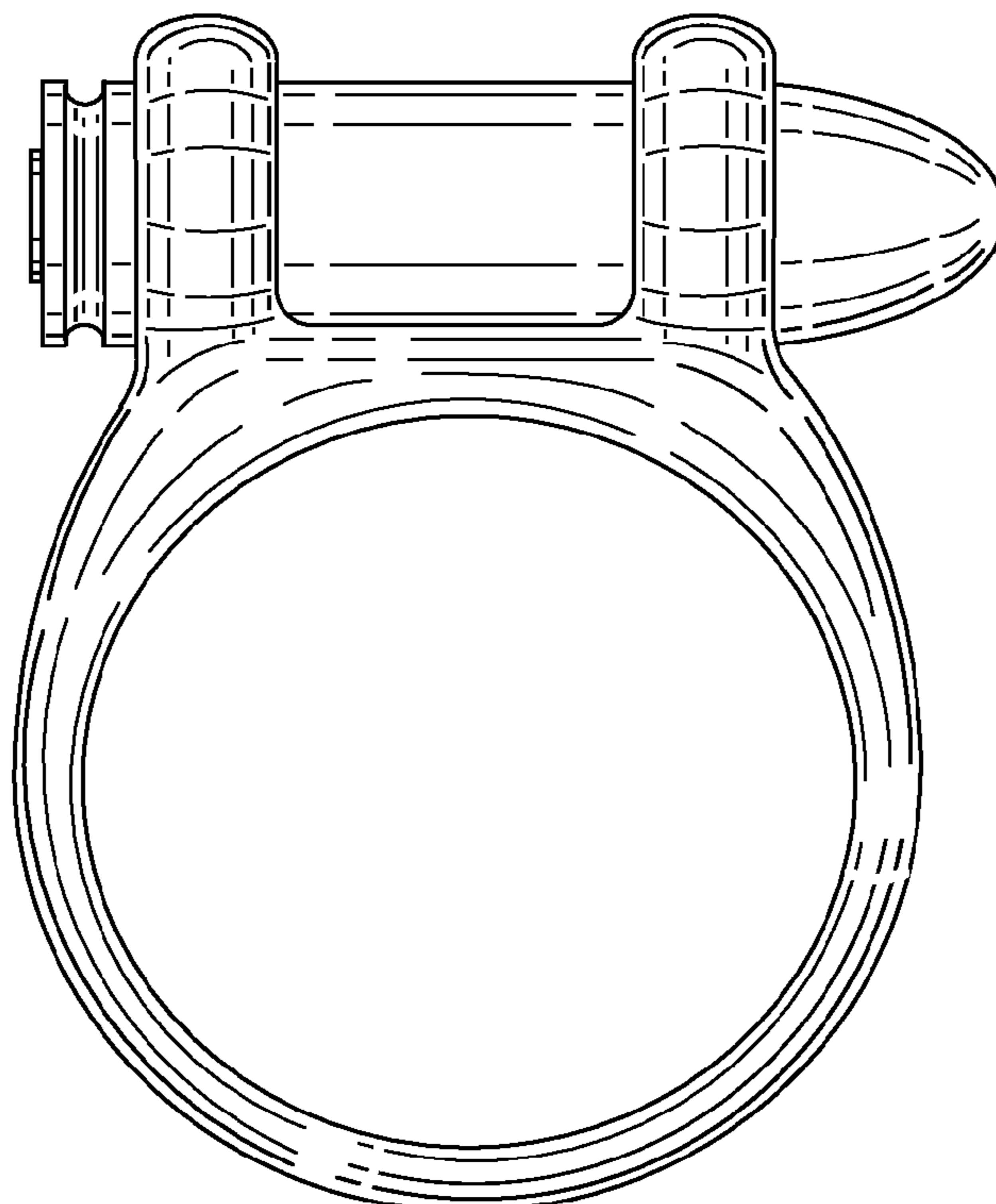
(57) **CLAIM**

The ornamental design for a ring, as shown and described.

**DESCRIPTION**

FIG. 1 is a front view of the ring;  
FIG. 2 is a rear view thereof;  
FIG. 3 is a top view thereof;  
FIG. 4 is bottom view thereof;  
FIG. 5 is a right side view thereof;  
FIG. 6 is a left side view thereof;  
FIG. 7 is a front, bottom perspective view thereof; and,  
FIG. 8 is a rear, bottom perspective view thereof.

**1 Claim, 3 Drawing Sheets**



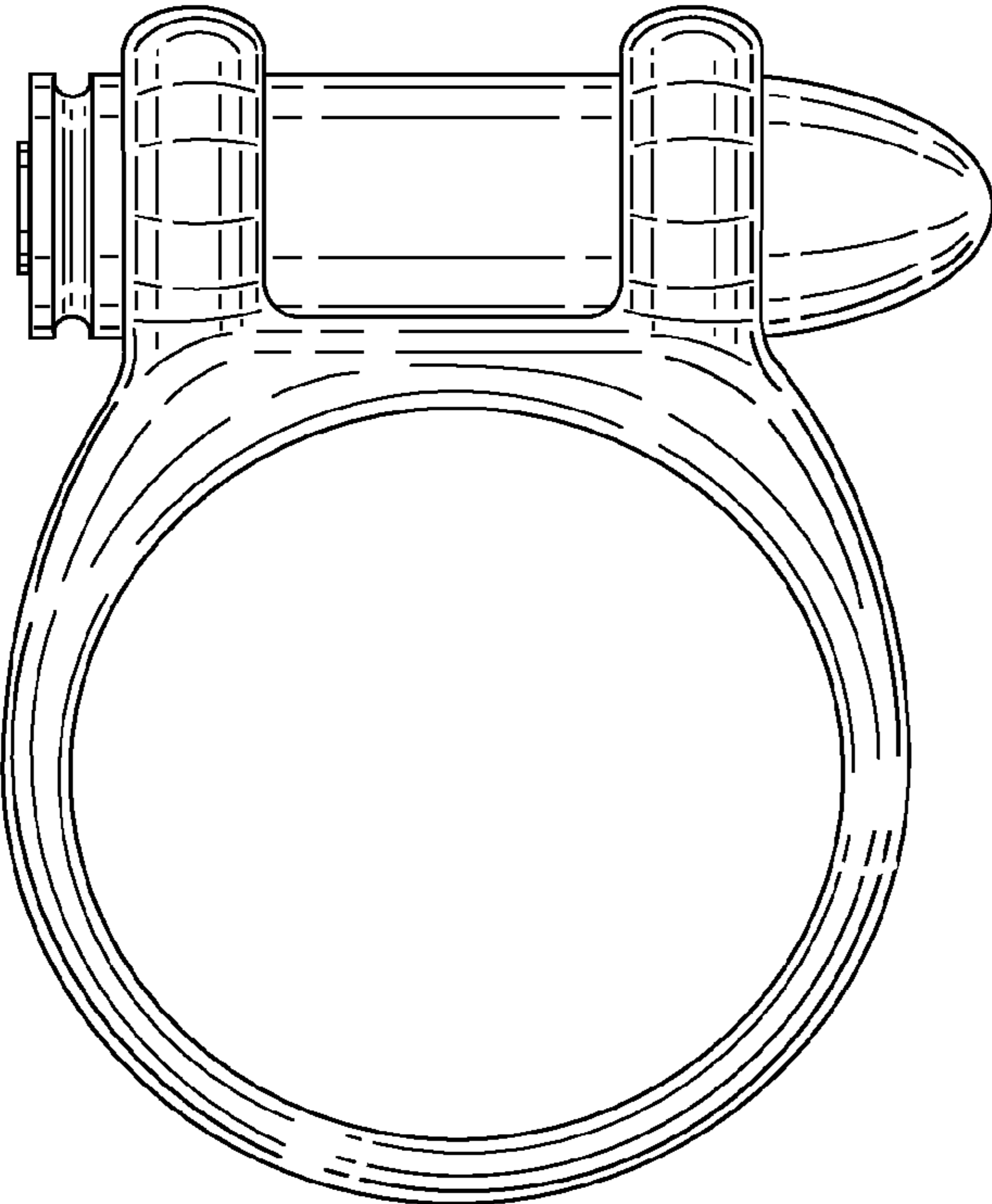


FIG. 1

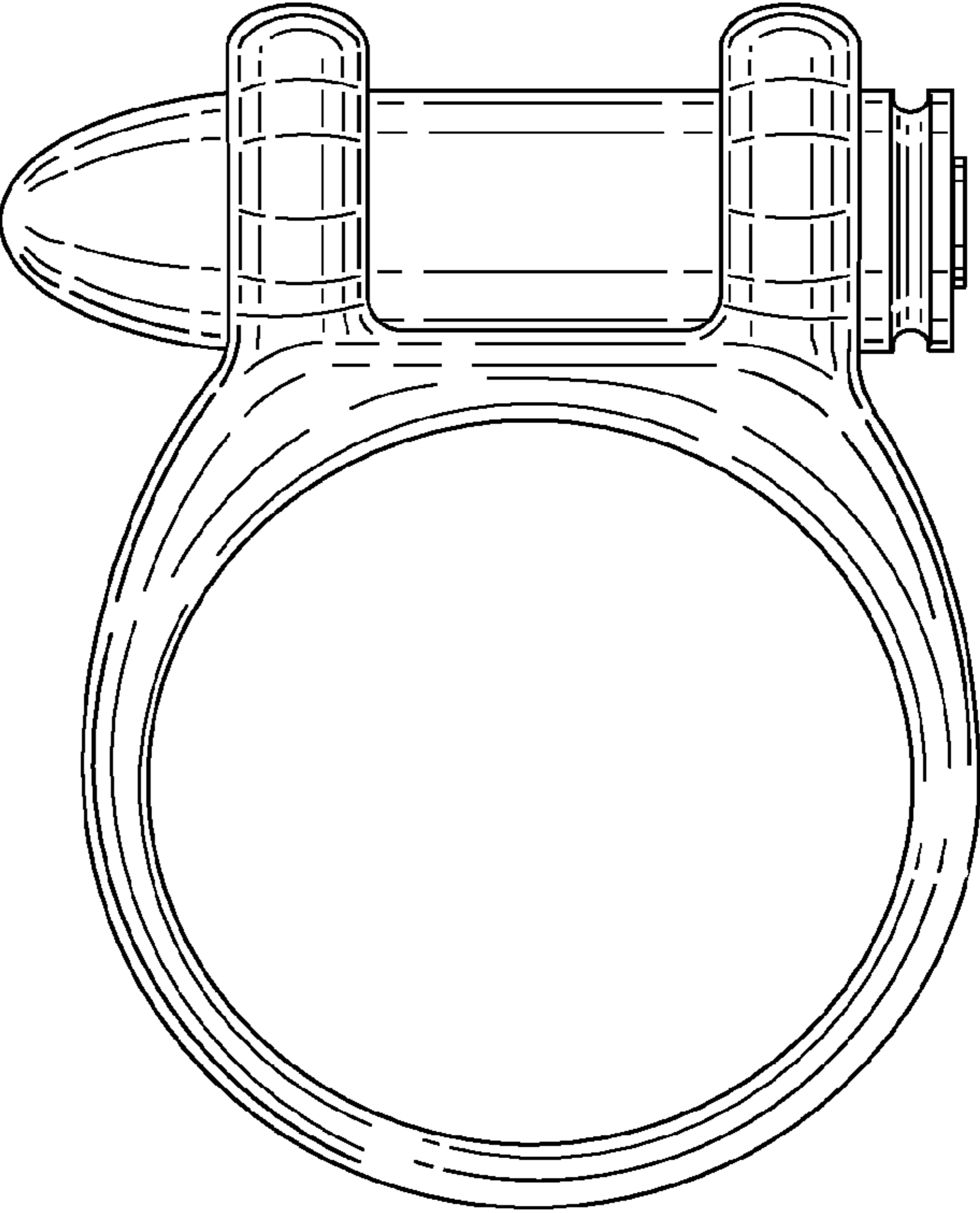


FIG. 2

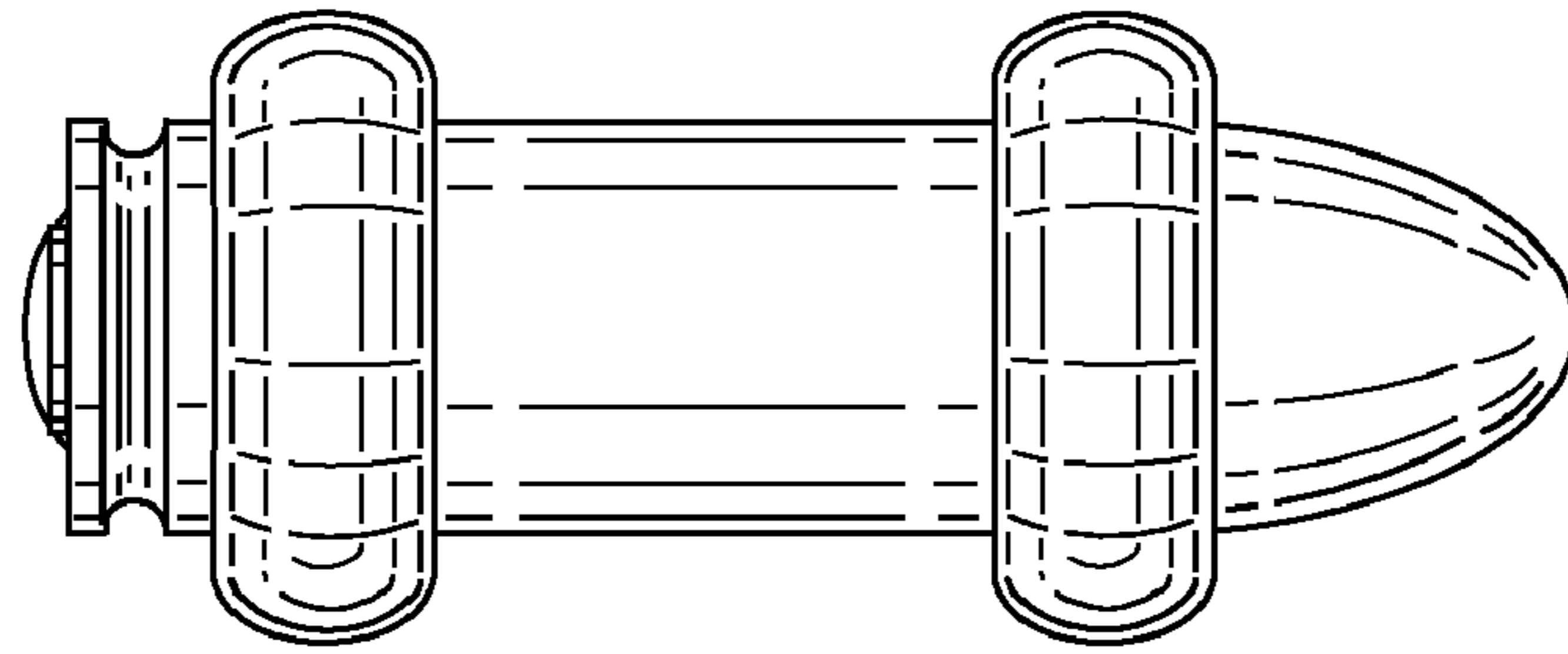


FIG. 3

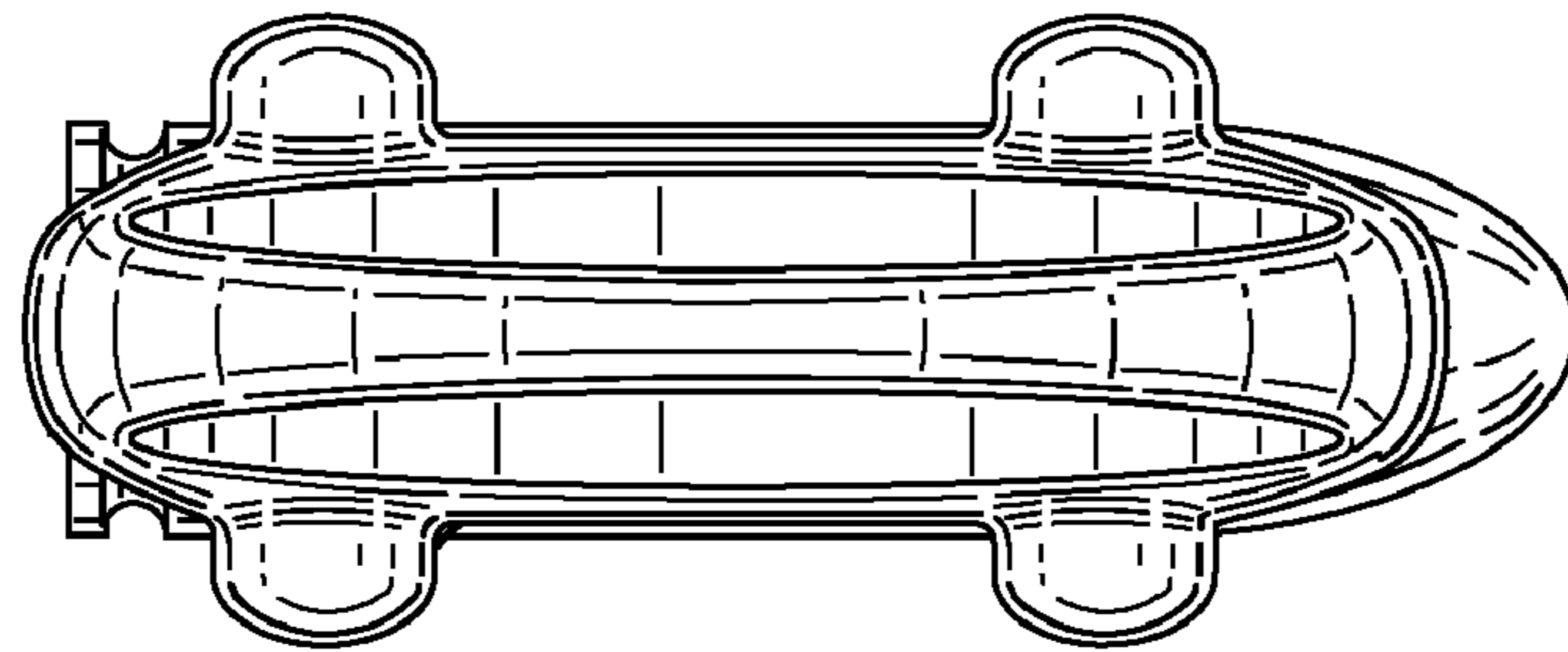


FIG. 4

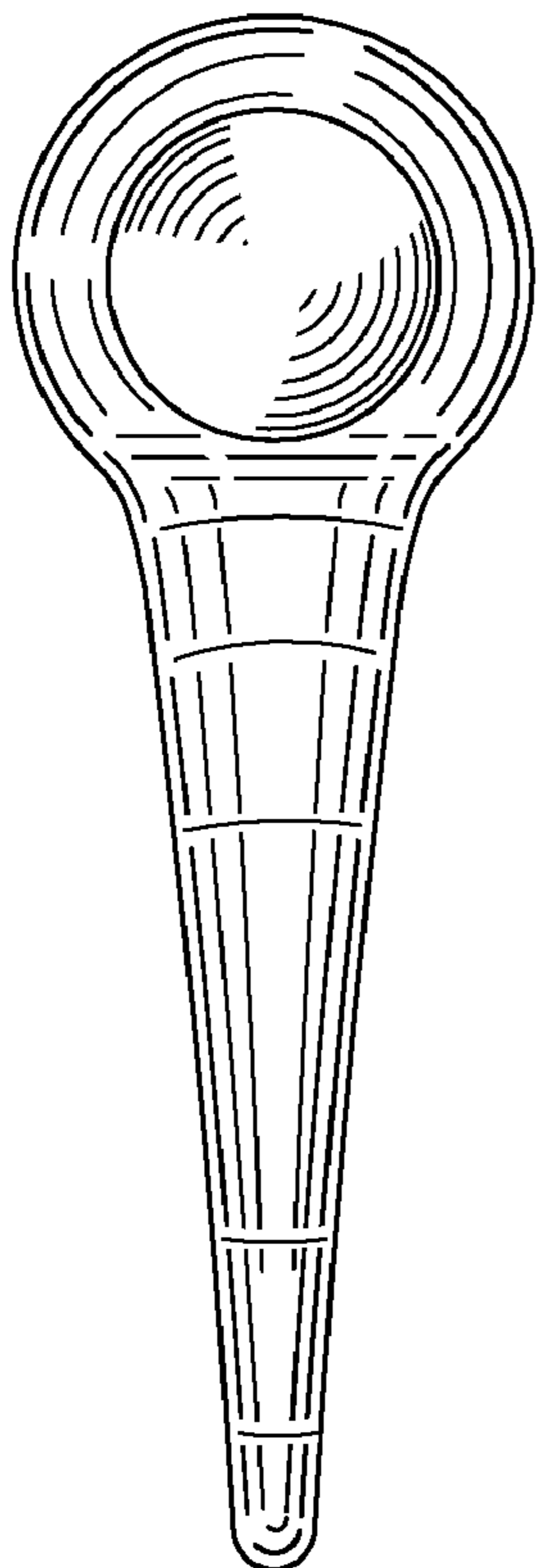


FIG. 5

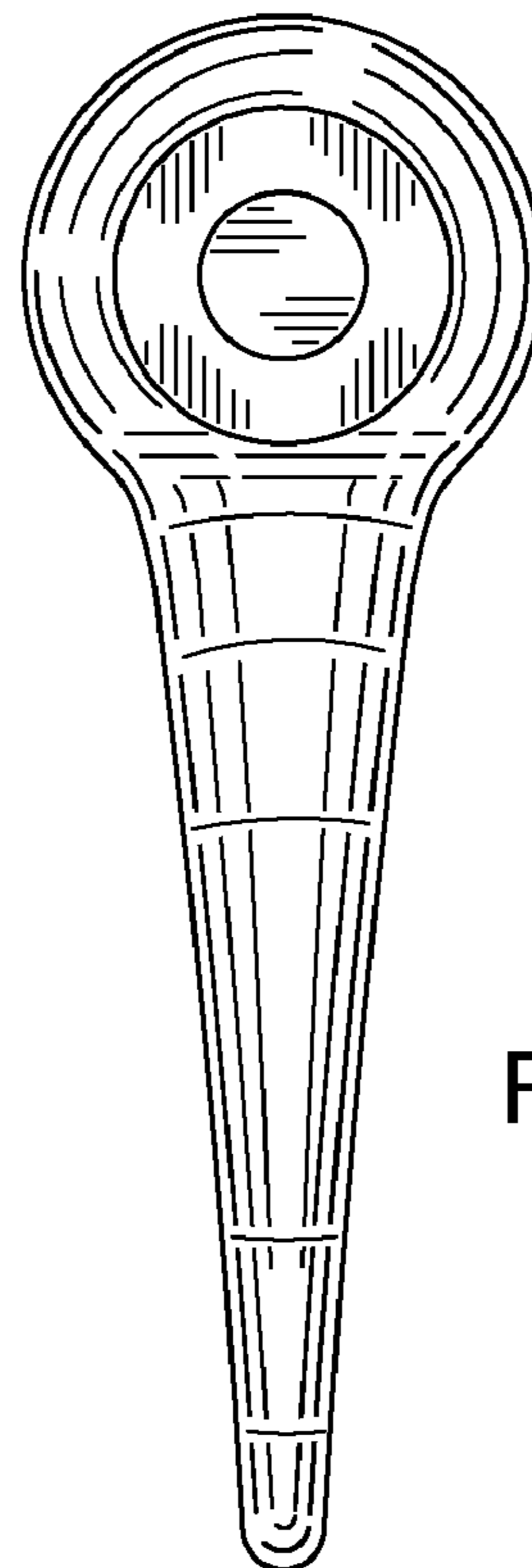


FIG. 6

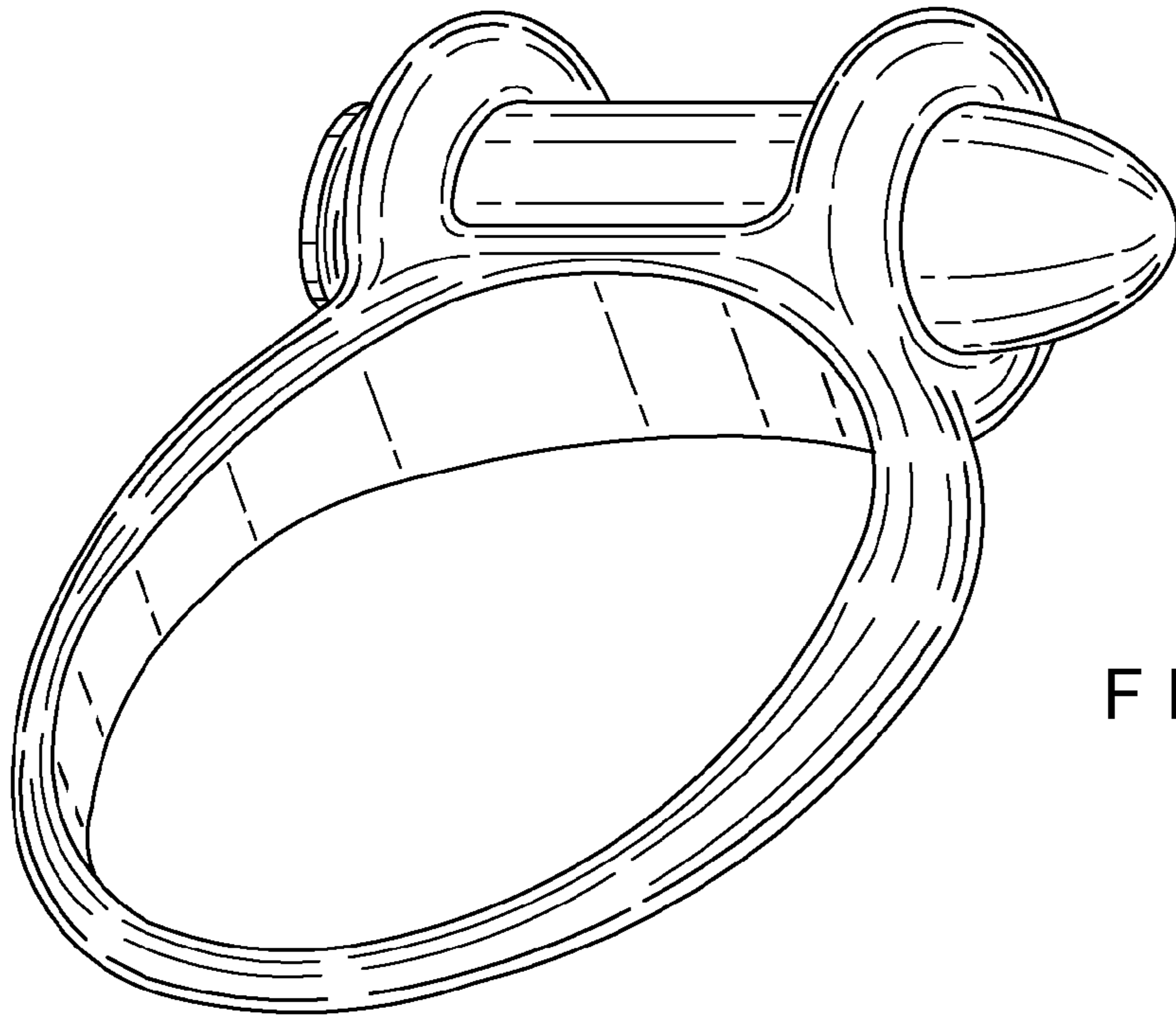


FIG. 7

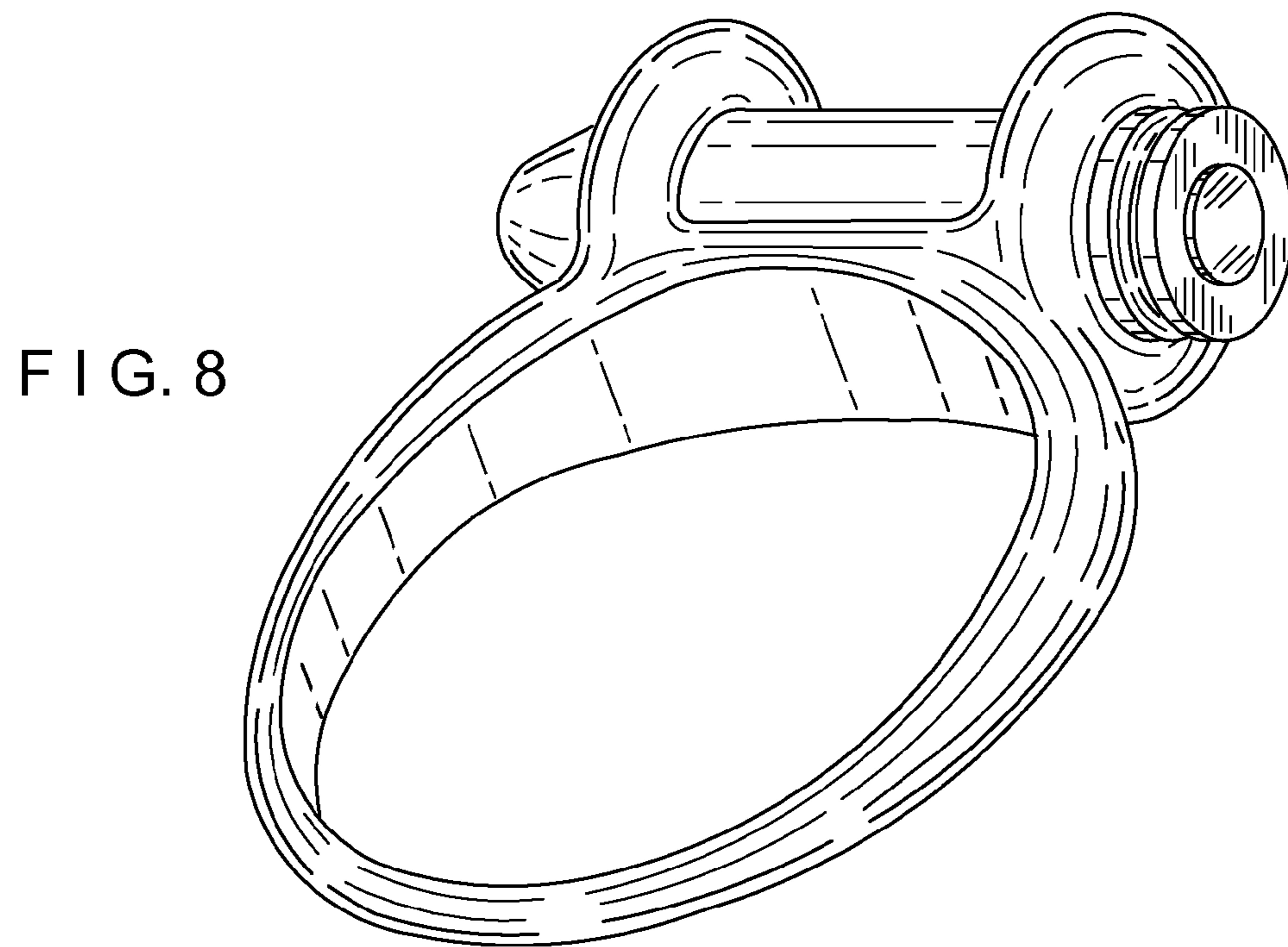


FIG. 8