



US00D636285S

(12) **United States Design Patent**  
**Wurts**

(10) **Patent No.:** **US D636,285 S**

(45) **Date of Patent:** **\*\* Apr. 19, 2011**

(54) **ELECTRICAL SWIVEL CLAMP  
MEASUREMENT CASE**

D585,316 S \* 1/2009 Chang ..... D10/79  
7,750,621 B1 \* 7/2010 Liu ..... 324/126

\* cited by examiner

(76) Inventor: **Adolfo J Wurts**, Orange, CA (US)

*Primary Examiner* — Antoine D Davis

(\*\*) Term: **14 Years**

(74) *Attorney, Agent, or Firm* — Lynn & Lynn

(21) Appl. No.: **29/363,874**

(57) **CLAIM**

I claim the ornamental design for an electrical swivel clamp measurement case, as shown and described.

(22) Filed: **Jun. 15, 2010**

(51) **LOC (9) Cl.** ..... **10-04**

(52) **U.S. Cl.** ..... **D10/79**

(58) **Field of Classification Search** ..... D10/79;  
324/72.5, 556, 133, 149, 503, 543, 555, 66,  
324/72, 754, 115, 141, 116; 340/635, 687  
See application file for complete search history.

**DESCRIPTION**

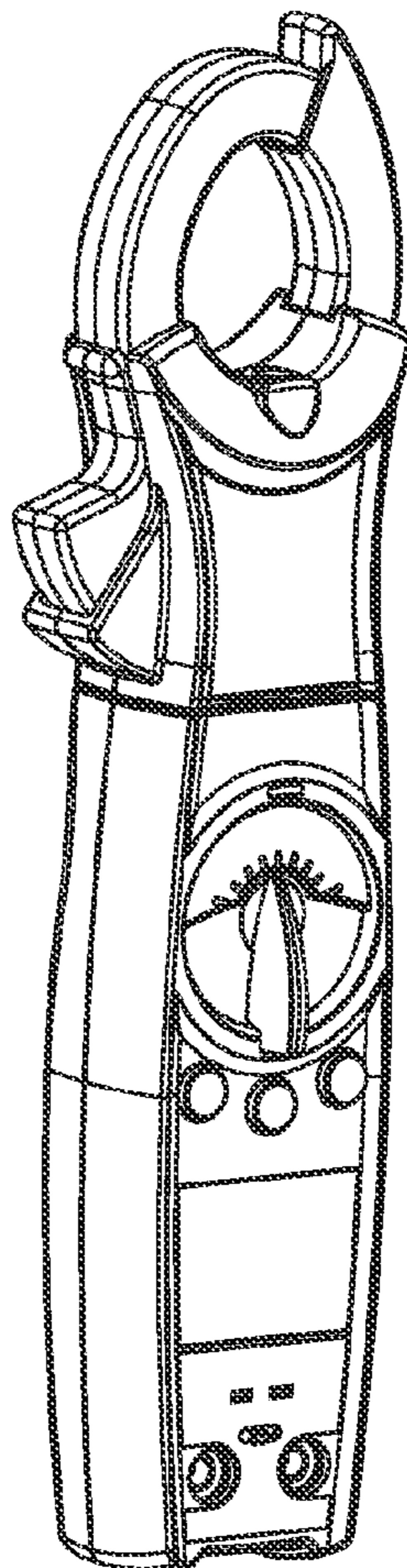
FIG. 1 is a top plan view showing my new design  
FIG. 2 is a left side view thereof;  
FIG. 3 is front side elevation thereof;  
FIG. 4 is a right side elevation view thereof;  
FIG. 5 is a bottom plan view thereof;  
FIG. 6 is a back side elevation view thereof;  
FIG. 7 is a perspective view showing the top, front and left sides thereof; and,  
FIG. 8 is a perspective view showing the bottom, front and right sides thereof.

(56) **References Cited**

U.S. PATENT DOCUMENTS

D440,892 S *	4/2001	Kuramoto	.....	D10/79
D472,829 S *	4/2003	Chang	.....	D10/79
D472,830 S *	4/2003	Chang	.....	D10/79
D514,005 S *	1/2006	Gregorec et al.	.....	D10/79

**1 Claim, 2 Drawing Sheets**



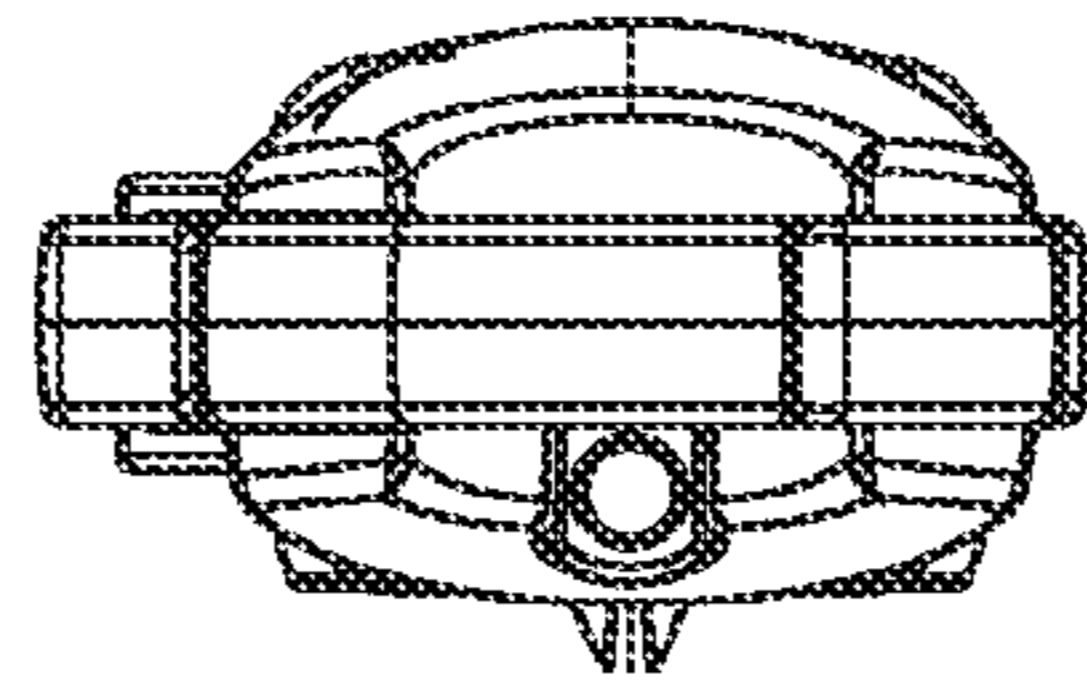


FIG. 1

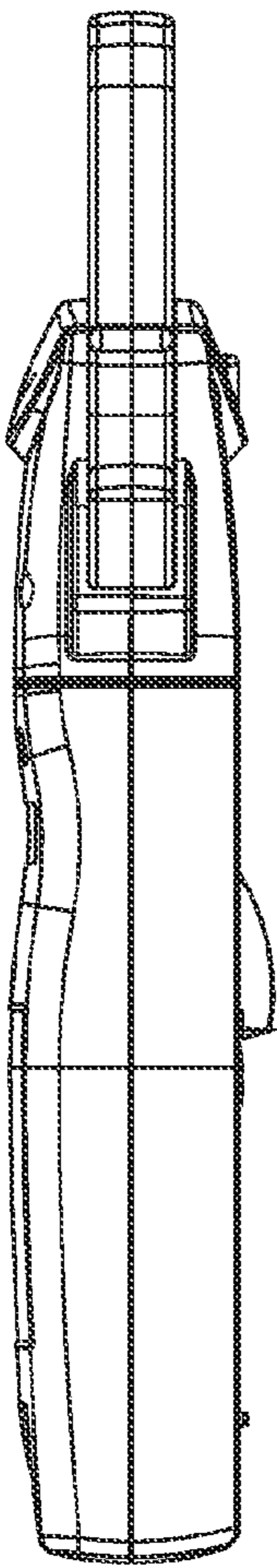


FIG. 2

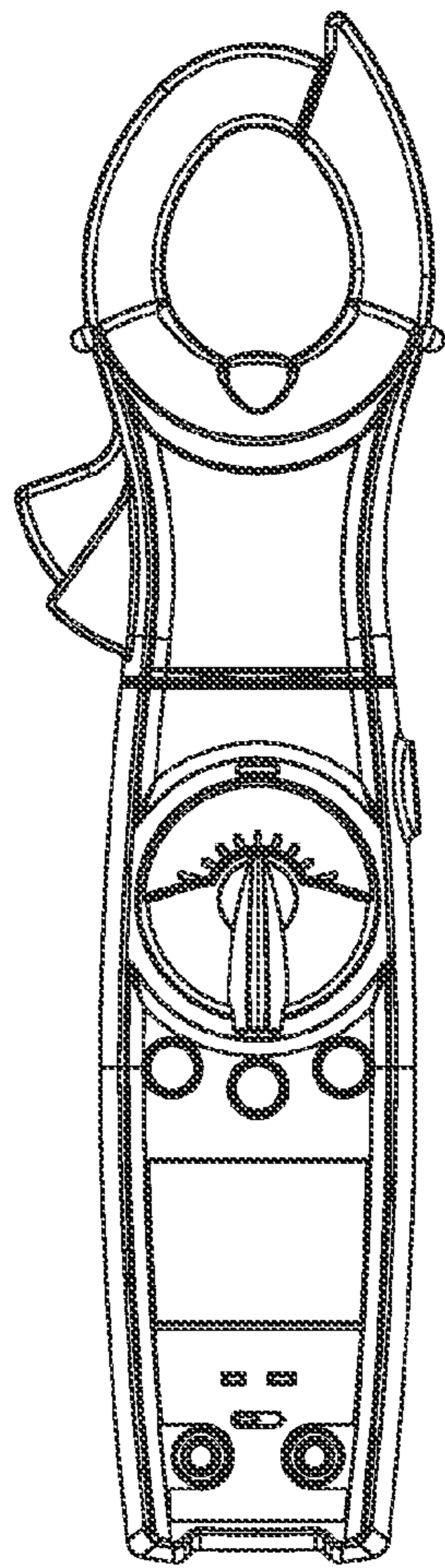


FIG. 3

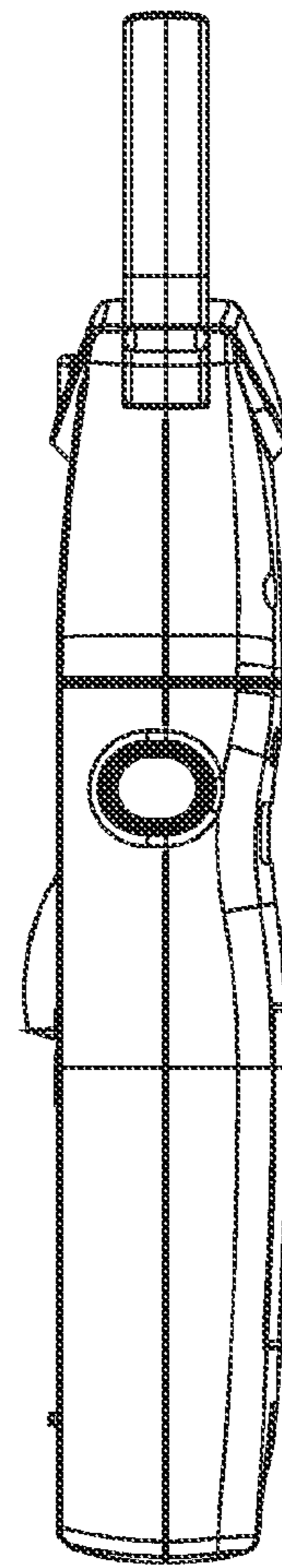


FIG. 4

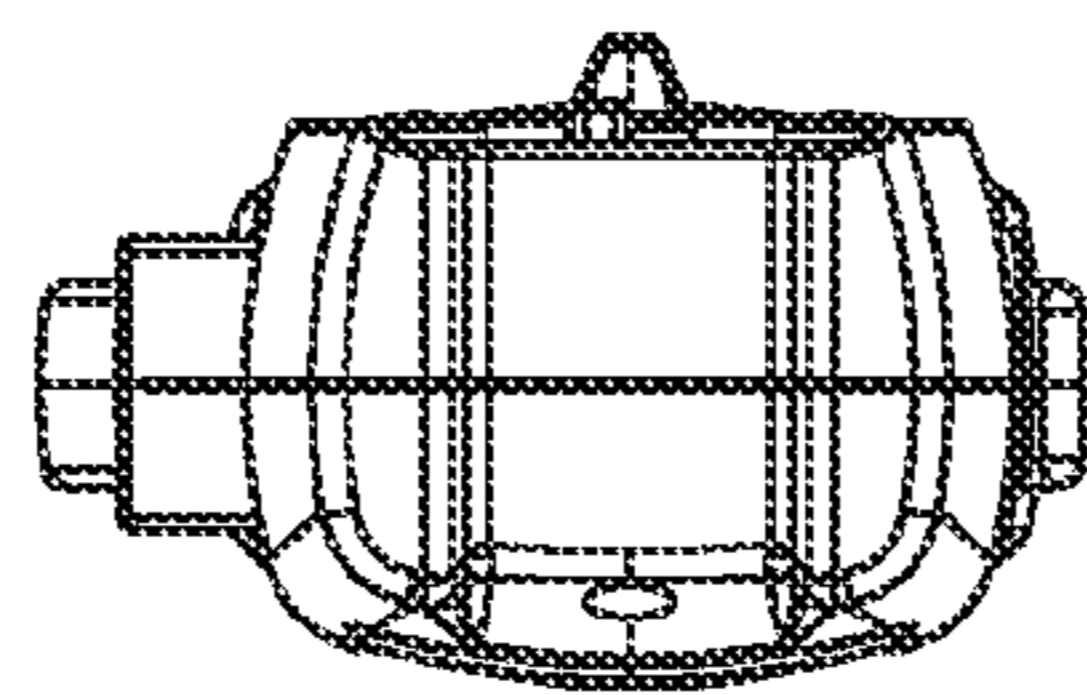


FIG. 5

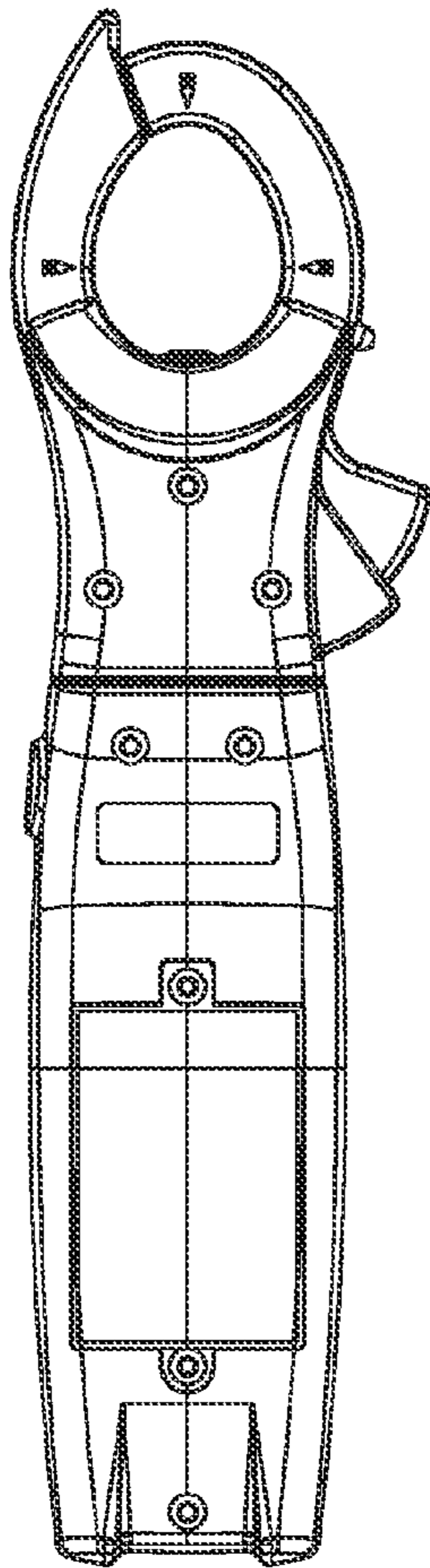


FIG. 6

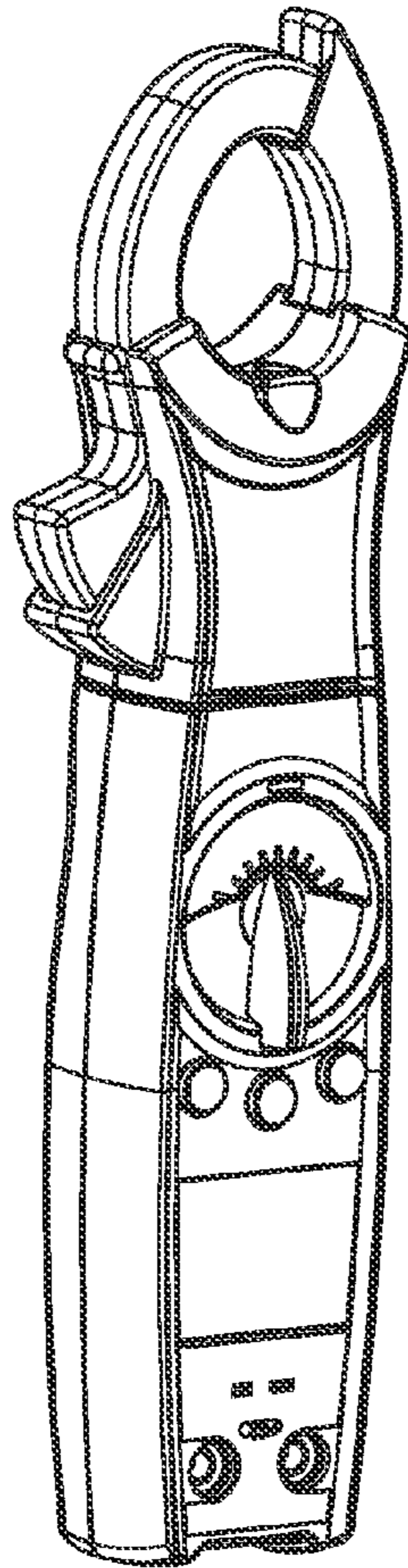


FIG. 7

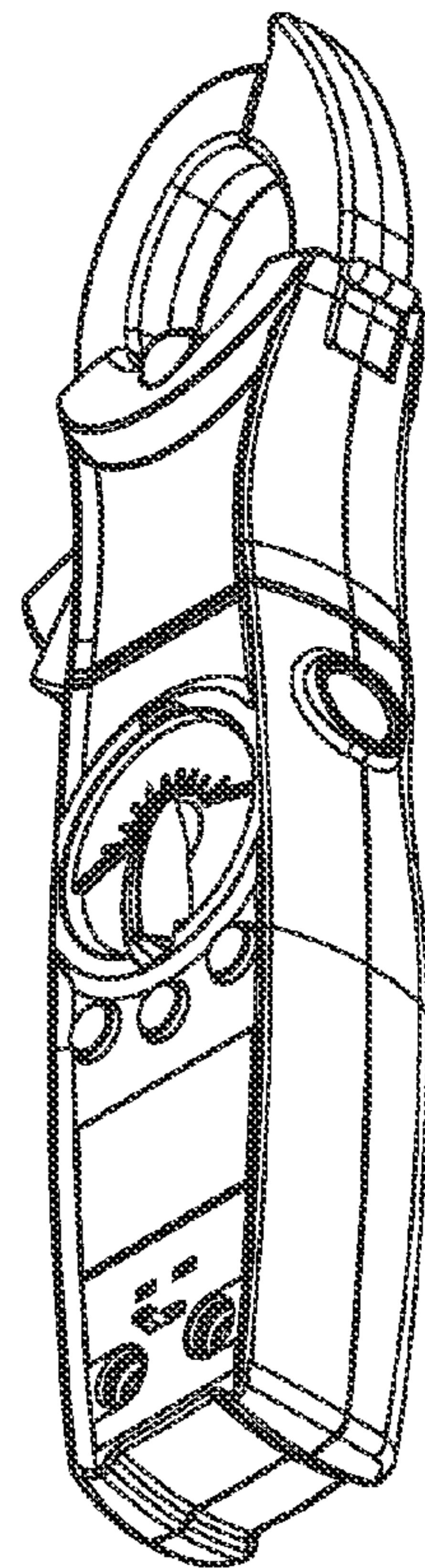


FIG. 8