



US00D636282S

(12) **United States Design Patent**
Yin et al.

(10) **Patent No.:** **US D636,282 S**
(45) **Date of Patent:** **** Apr. 19, 2011**

(54) **HANDHELD ULTRASONIC THICKNESS TESTING AND MEASURING DEVICE**

(75) Inventors: **Yong Yin**, Shanghai (CN); **Scott Allen Herbster**, Middleburg, PA (US); **Tounine Mayer**, Lewistown, PA (US); **Hongfang Wang**, Shanghai (CN)

(73) Assignee: **General Electric Company**, Schenectady, NY (US)

(**) Term: **14 Years**

(21) Appl. No.: **29/345,132**

(22) Filed: **Oct. 9, 2009**

(51) **LOC (9) Cl.** **10-04**

(52) **U.S. Cl.** **D10/70; D10/78**

(58) **Field of Classification Search** D10/78, D10/70; 324/72.5, 556, 133, 149, 503, 543, 324/555, 66, 72, 754, 115, 141; 340/635, 340/687; 73/597, 615, 624, 627, 644
See application file for complete search history.

(56) **References Cited**

U.S. PATENT DOCUMENTS

4,437,332	A *	3/1984	Pittaro	73/597
5,690,978	A *	11/1997	Yin et al.	426/237
D443,537	S *	6/2001	Nix	D10/70
D446,135	S *	8/2001	Chen	D10/78
6,333,816	B1 *	12/2001	Chen et al.	359/497
6,589,178	B2 *	7/2003	Sakai	73/592

D499,034	S *	11/2004	Bras et al.	D10/78
D501,416	S *	2/2005	Bras et al.	D10/78
D502,416	S *	3/2005	Chen	D10/78
D510,045	S *	9/2005	Lipscomb et al.	D10/78
6,940,270	B2 *	9/2005	Chen	324/72.5
D519,046	S *	4/2006	Lipscomb et al.	D10/78
7,389,692	B2 *	6/2008	Cuffe et al.	73/602
D578,909	S *	10/2008	Chung et al.	D10/70
D588,482	S *	3/2009	Kim	D10/78
7,506,546	B2 *	3/2009	Cuffe et al.	73/602
7,523,649	B2 *	4/2009	Corey et al.	73/61.75

* cited by examiner

Primary Examiner — Antoine D Davis

(74) *Attorney, Agent, or Firm* — Global Patent Operation; Mark A. Conklin

(57) **CLAIM**

The ornamental design for a handheld ultrasonic thickness testing and measuring device, as shown and described.

DESCRIPTION

FIG. 1 is a front view of a handheld ultrasonic thickness testing and measuring device showing our new design; FIG. 2 is a rear view thereof; FIG. 3 is a top view thereof; FIG. 4 is a bottom view thereof; FIG. 5 is a right side view thereof; FIG. 6 is a left side view thereof; and, FIG. 7 is a perspective view thereof. The broken lines in FIGS. 2-7 are for illustrative purposes only and form no part of the claimed design.

1 Claim, 7 Drawing Sheets

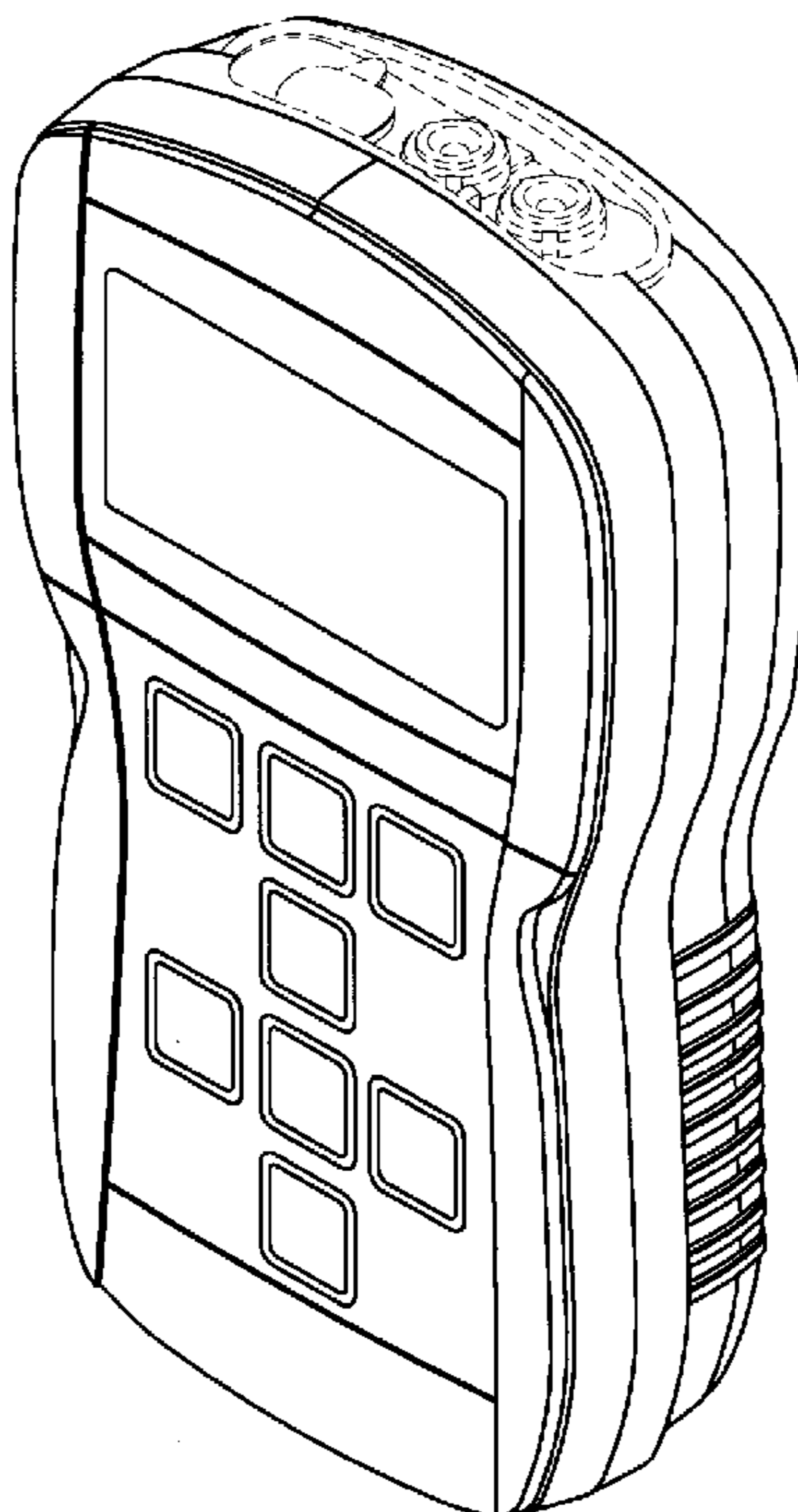


FIG.1

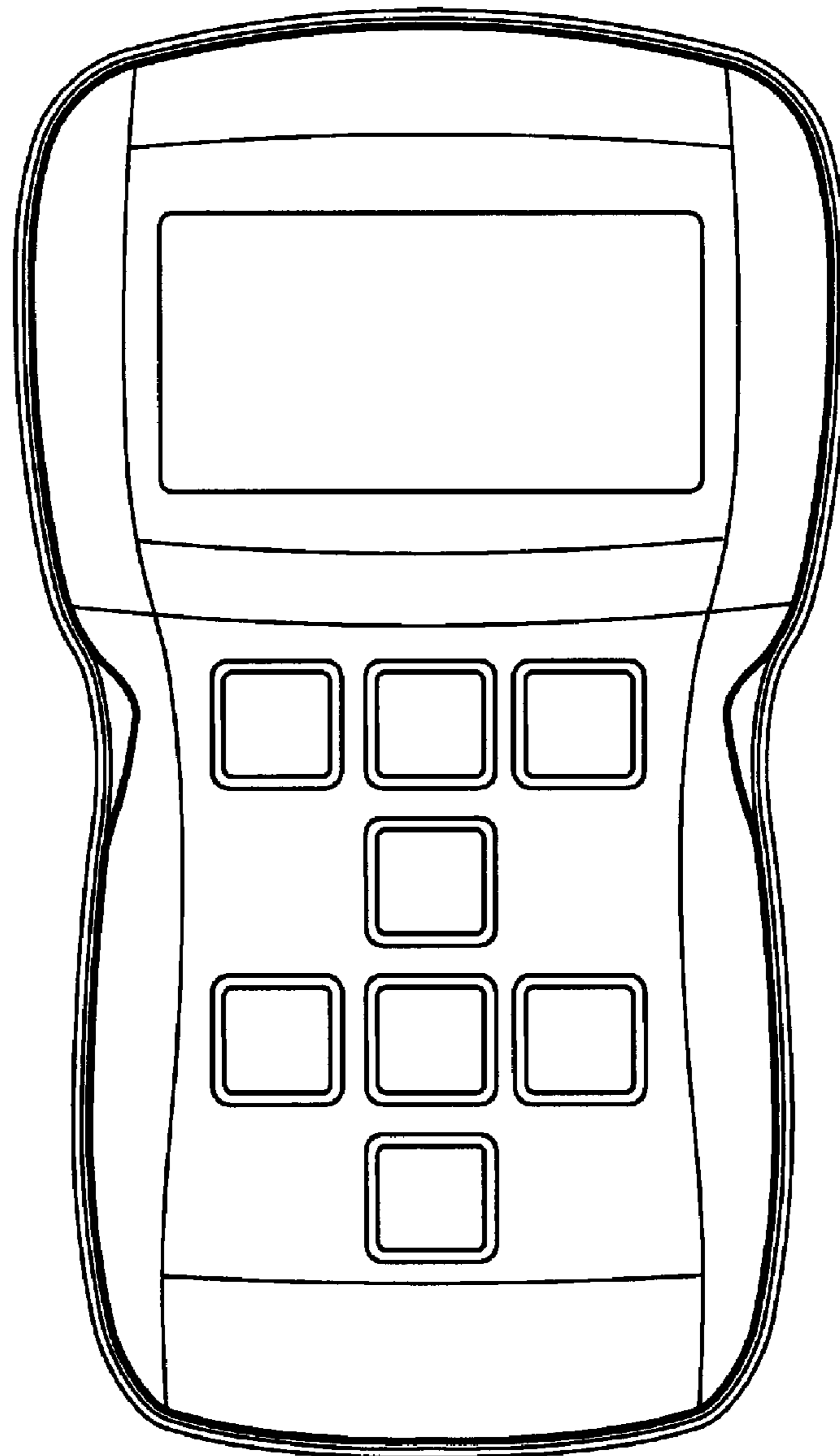


FIG.2

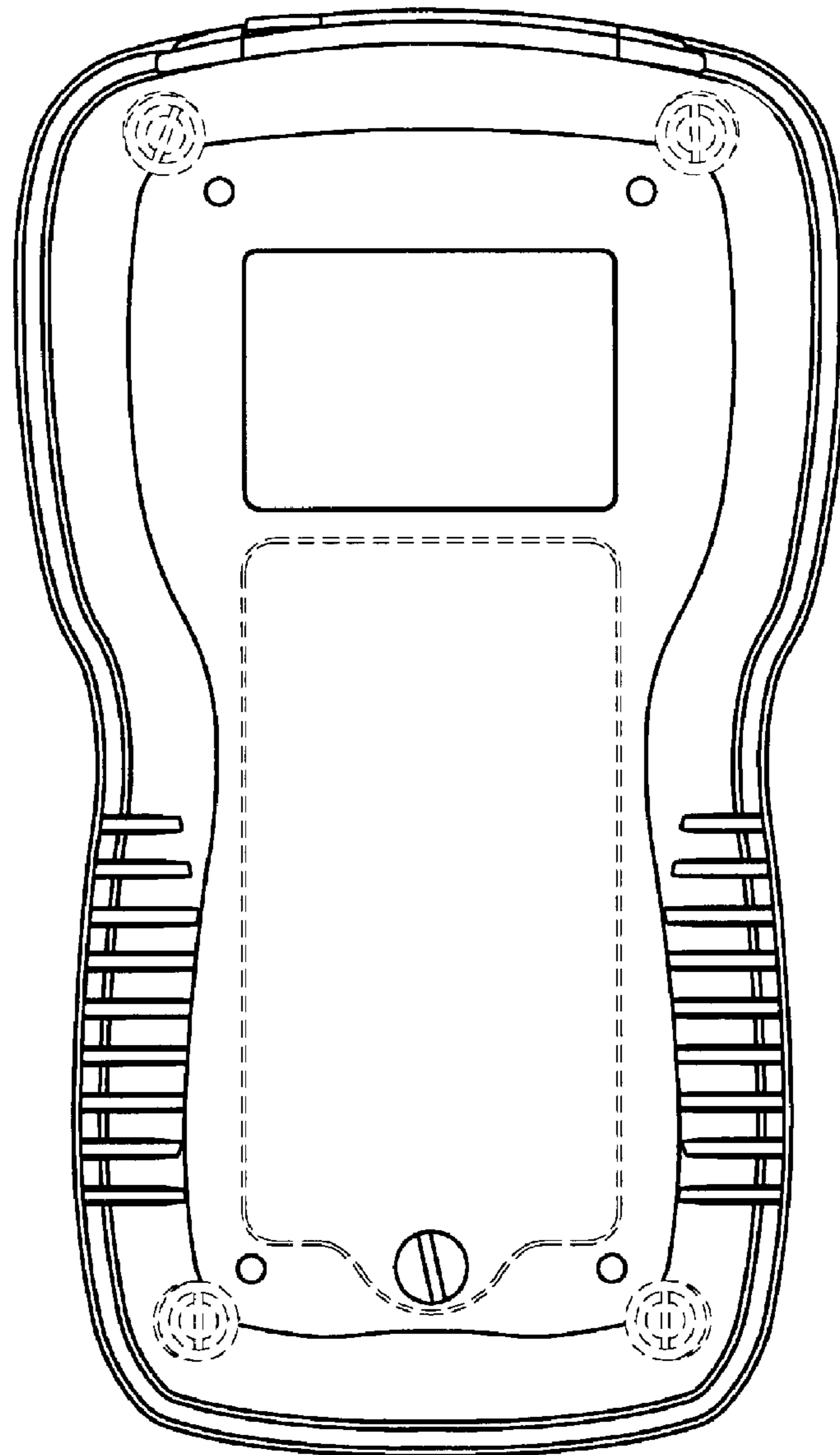


FIG.3

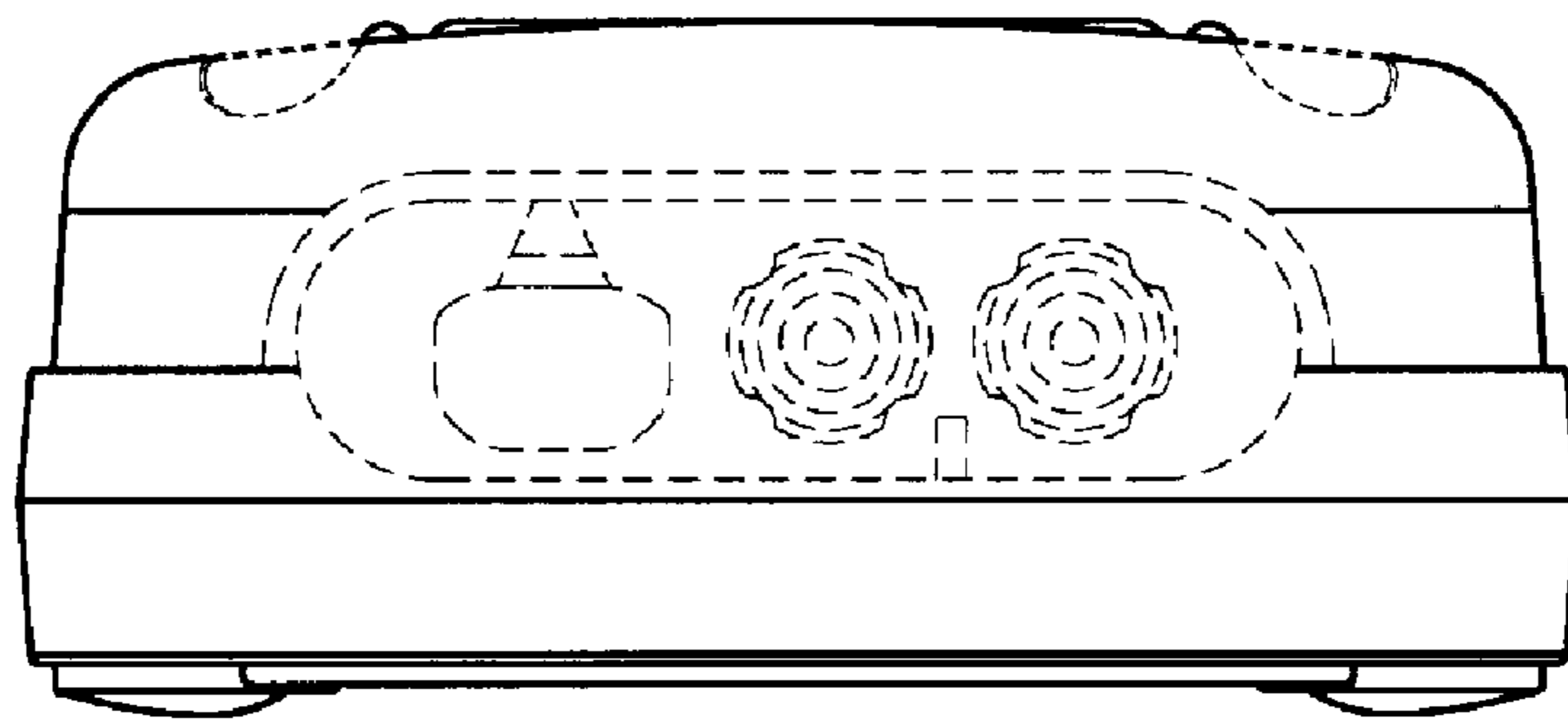


FIG.4

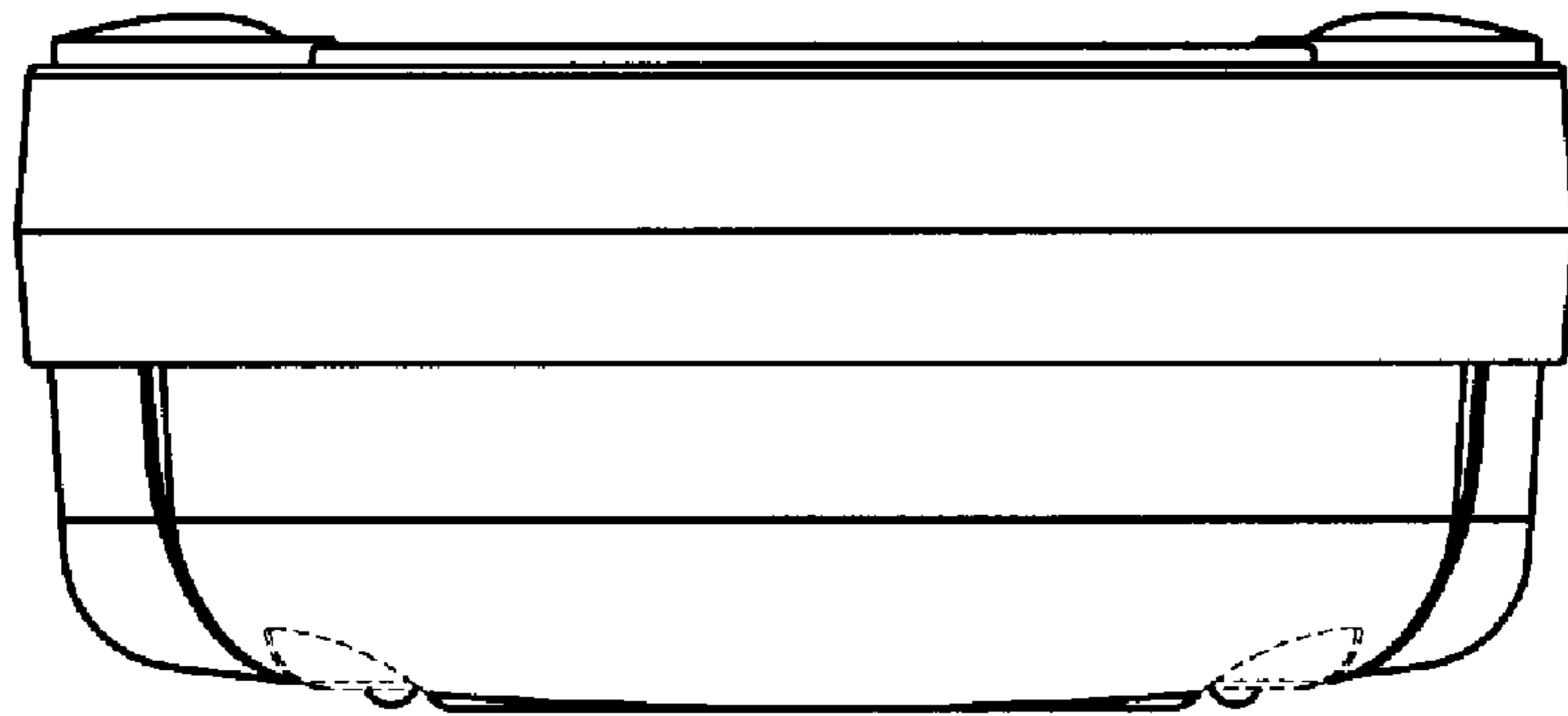


FIG.5

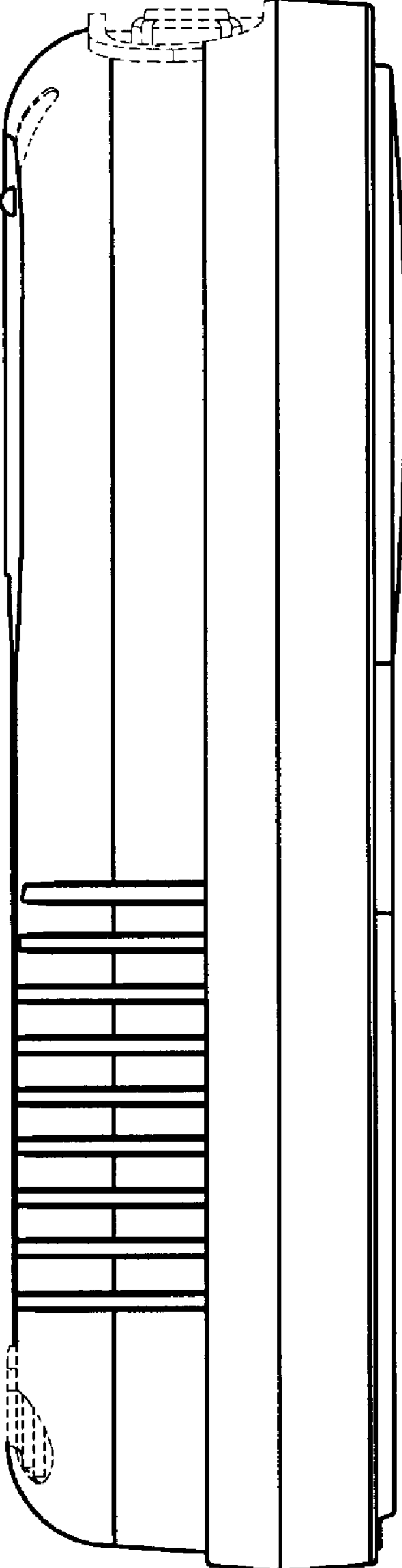


FIG.6

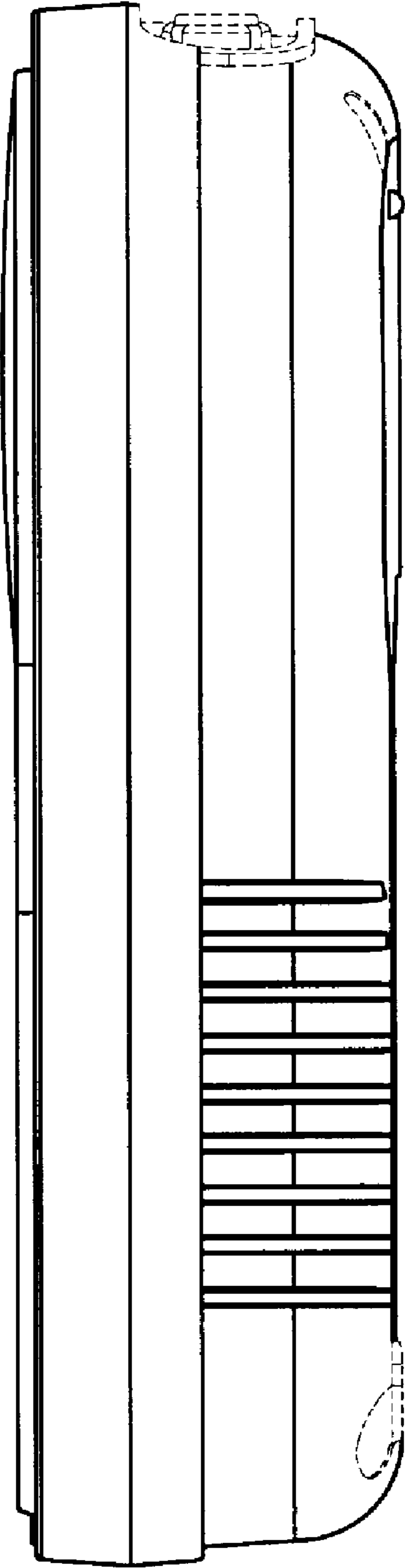


FIG.7

