

US00D636281S

(12) **United States Design Patent**
Henderson et al.

(10) **Patent No.:** **US D636,281 S**
(45) **Date of Patent:** **** Apr. 19, 2011**

(54) **PROTRACTOR COMPASS**

(75) Inventors: **Robert J. Henderson**, Auburn Hills, MI
(US); **Chris Knighton**, Auburn Hills, MI
(US)

(73) Assignee: **Granicus LLC**, Southfield, MI (US)

(**) Term: **14 Years**

(21) Appl. No.: **29/354,084**

(22) Filed: **Jan. 19, 2010**

(51) **LOC (9) Cl.** **10-04**

(52) **U.S. Cl.** **D10/68**

(58) **Field of Classification Search** D10/62,
D10/65, 68; 33/271-273, 268, 349, 355 D,
33/355 R-361, 364; 342/419, 443

See application file for complete search history.

(56) **References Cited**

U.S. PATENT DOCUMENTS

4,438,568	A *	3/1984	Kramer et al.	33/348
5,146,687	A *	9/1992	Kjellstrom	33/355 R
D401,168	S *	11/1998	Wallberg	D10/68
D422,226	S *	4/2000	Villeneuve	D10/65
D435,465	S *	12/2000	Yusa	D10/68
D435,466	S *	12/2000	Yusa	D10/68
6,292,137	B1 *	9/2001	Agnew et al.	342/443

* cited by examiner

Primary Examiner — Antoine D Davis

(74) *Attorney, Agent, or Firm* — Dobrusin & Thennisch PC

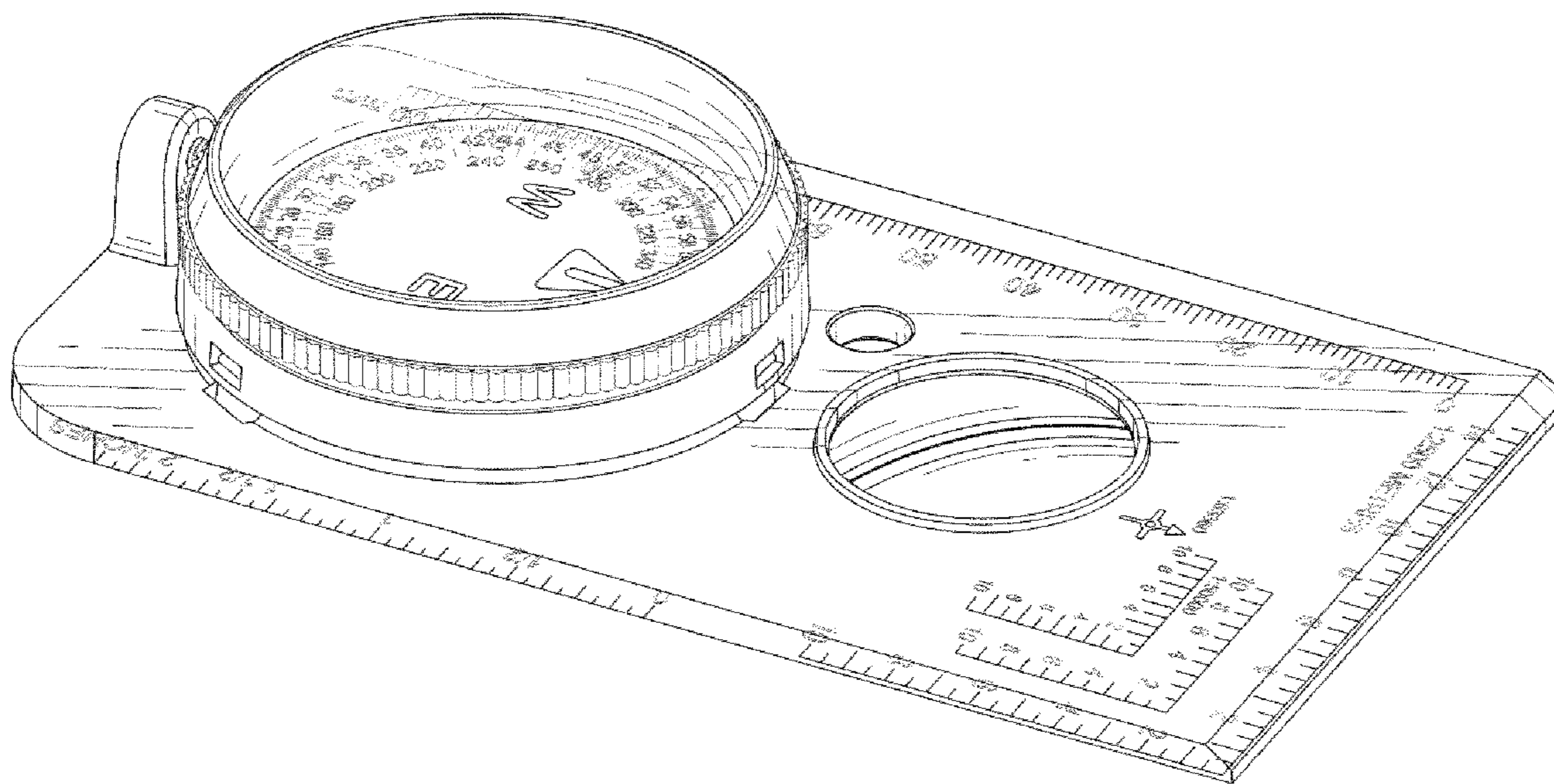
(57) **CLAIM**

The ornamental design for a protractor compass, as shown and described.

DESCRIPTION

FIG. 1 is a perspective view of a protractor compass showing my new design;
FIG. 2 is a right side plan view thereof;
FIG. 3 is a bottom plan view thereof; and,
FIG. 4 is a top plan view thereof.

1 Claim, 4 Drawing Sheets



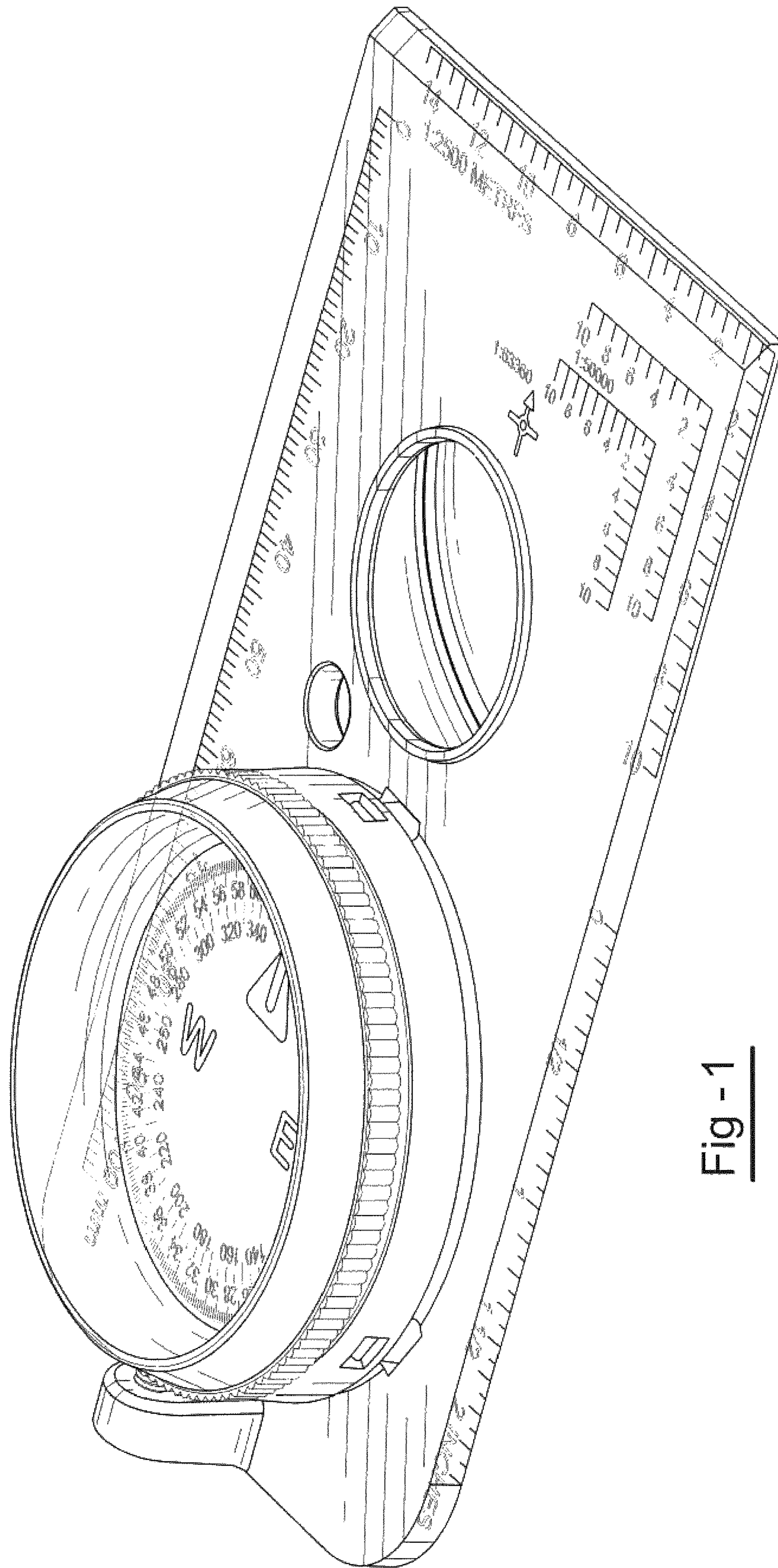
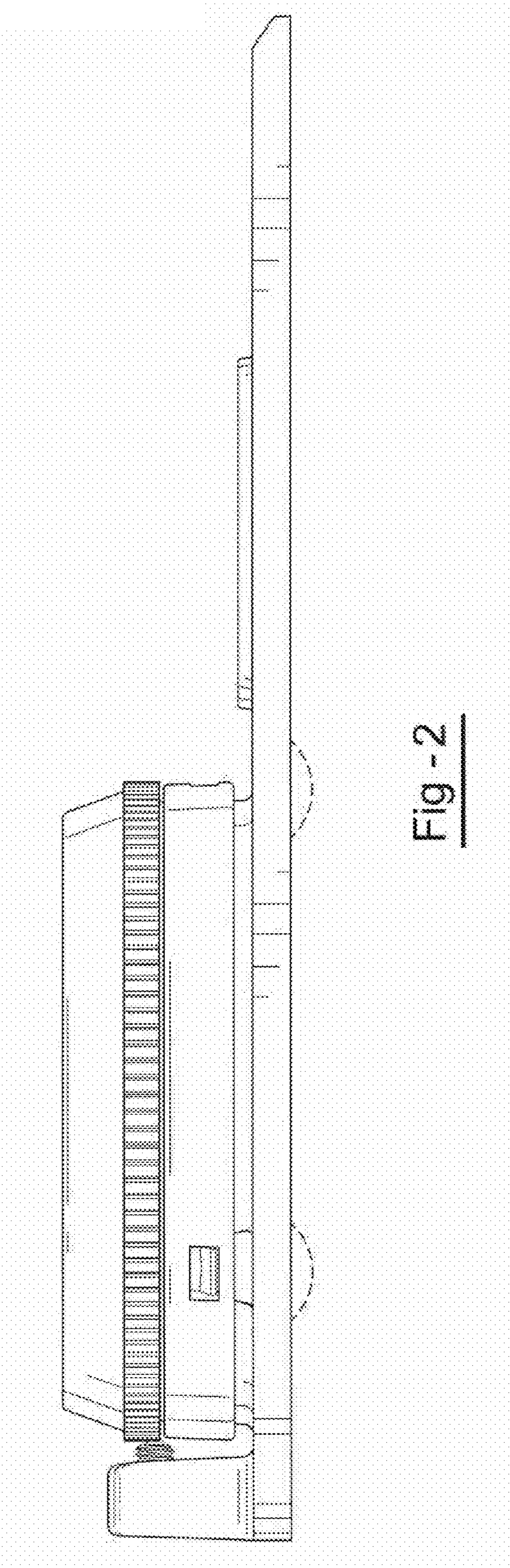


Fig - 1



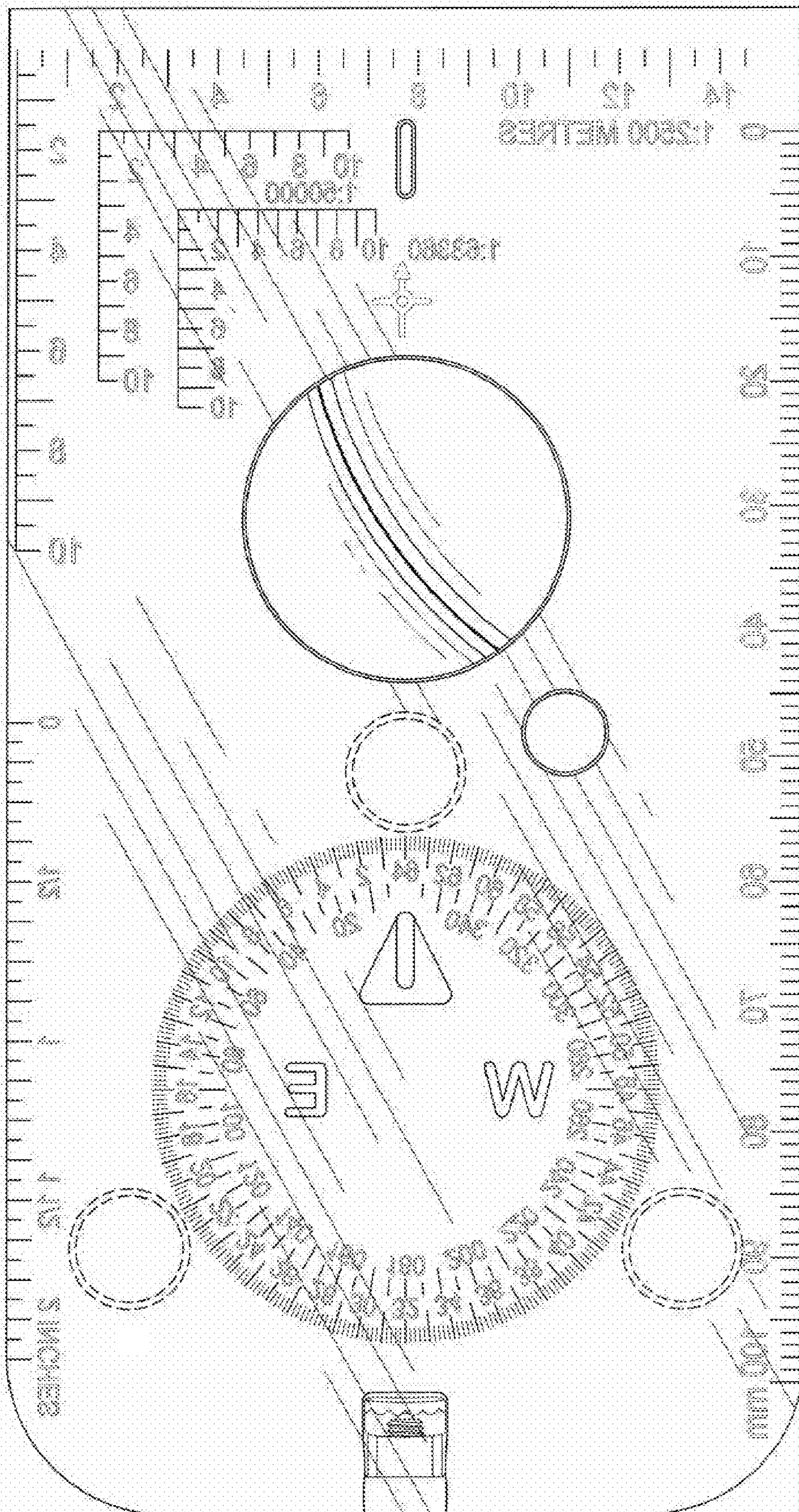


Fig - 3

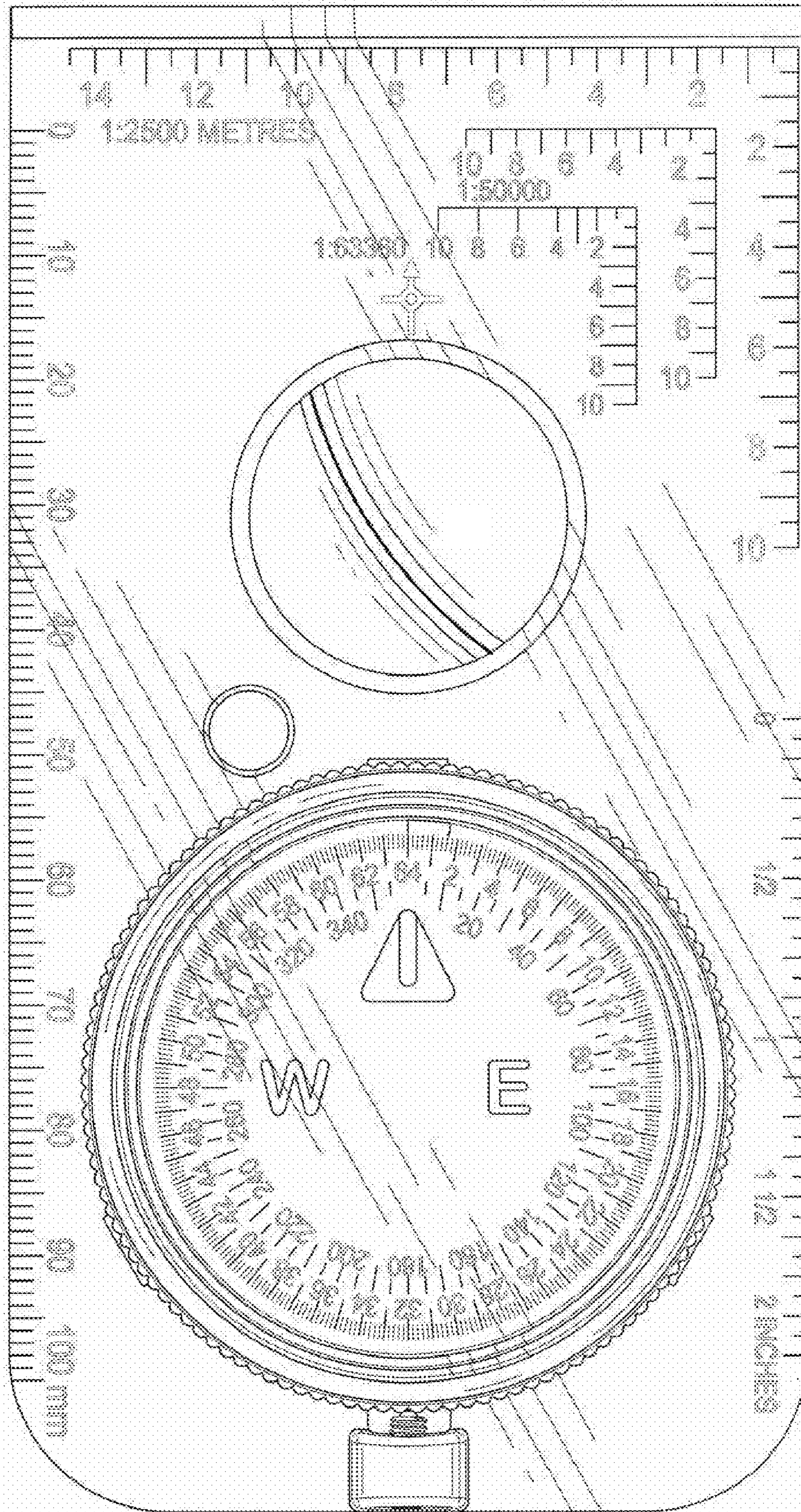


Fig - 4