



US00D636280S

(12) **United States Design Patent**  
**Fischer et al.**

(10) **Patent No.:** **US D636,280 S**

(45) **Date of Patent:** **\*\* Apr. 19, 2011**

(54) **PLANT MONITOR**

(56) **References Cited**

(75) Inventors: **Jerry Fischer**, Golden Valley, MN (US);  
**Michael Plitman**, Golden Valley, MN  
(US)

U.S. PATENT DOCUMENTS

D374,182	S	*	10/1996	Lam	.....	D10/56
D491,822	S	*	6/2004	Holbein	.....	D10/56
D526,914	S	*	8/2006	Holbein	.....	D10/56
D584,969	S	*	1/2009	Nies et al.	.....	D10/56
D609,588	S	*	2/2010	Morton	.....	D10/56

(73) Assignee: **JERMIC, LLC**, Golden Valley, MN  
(US)

\* cited by examiner

(\*\*) Term: **14 Years**

*Primary Examiner* — Antoine D Davis

(74) *Attorney, Agent, or Firm* — Schwegman, Lundberg & Woessner, P.A.

(21) Appl. No.: **29/356,860**

(57) **CLAIM**

The ornamental design for a plant monitor, as shown and described.

(22) Filed: **Mar. 3, 2010**

**DESCRIPTION**

(51) **LOC (9) Cl.** ..... **10-04**

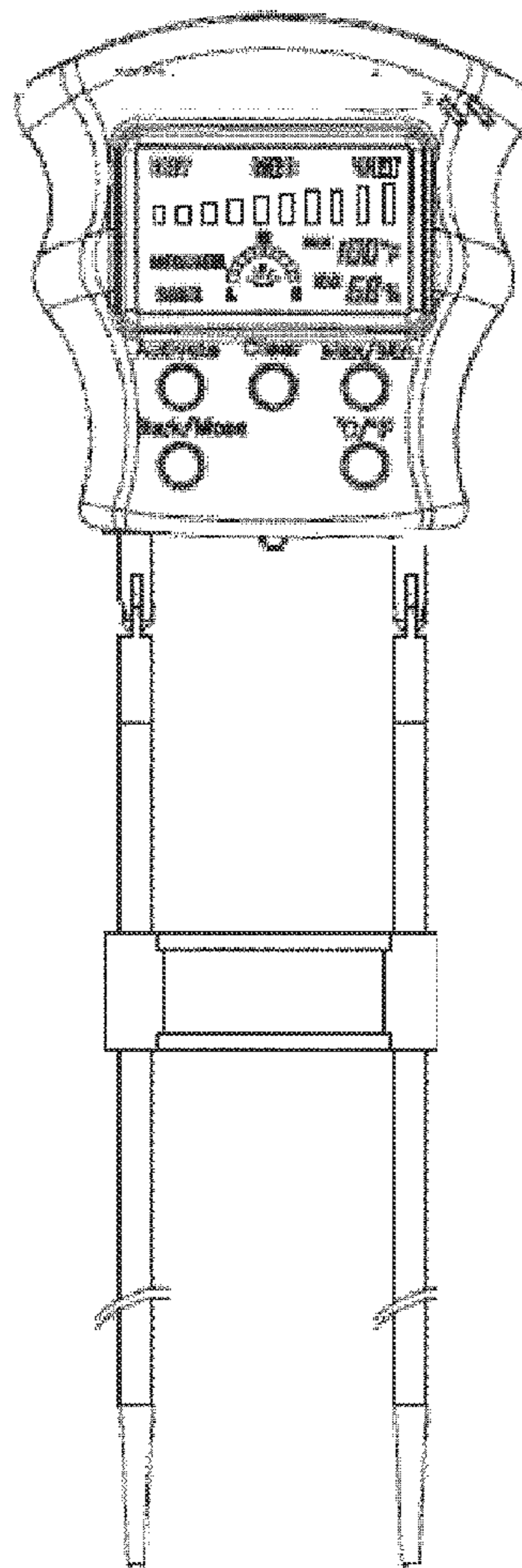
(52) **U.S. Cl.** ..... **D10/56**

(58) **Field of Classification Search** ..... D10/52,  
D10/53, 56; 73/73-74, 170.17-170.23, 29.05;  
324/640, 664, 658, 686, 690, 694, 724; 340/604;  
702/50

FIG. 1 is a front plan view.  
FIG. 2 is a rear view.  
FIG. 3 is a left plan view.  
FIG. 4 is a right plan view.  
FIG. 5 is a top plan view; and,  
FIG. 6 is a bottom plan view.

See application file for complete search history.

**1 Claim, 5 Drawing Sheets**



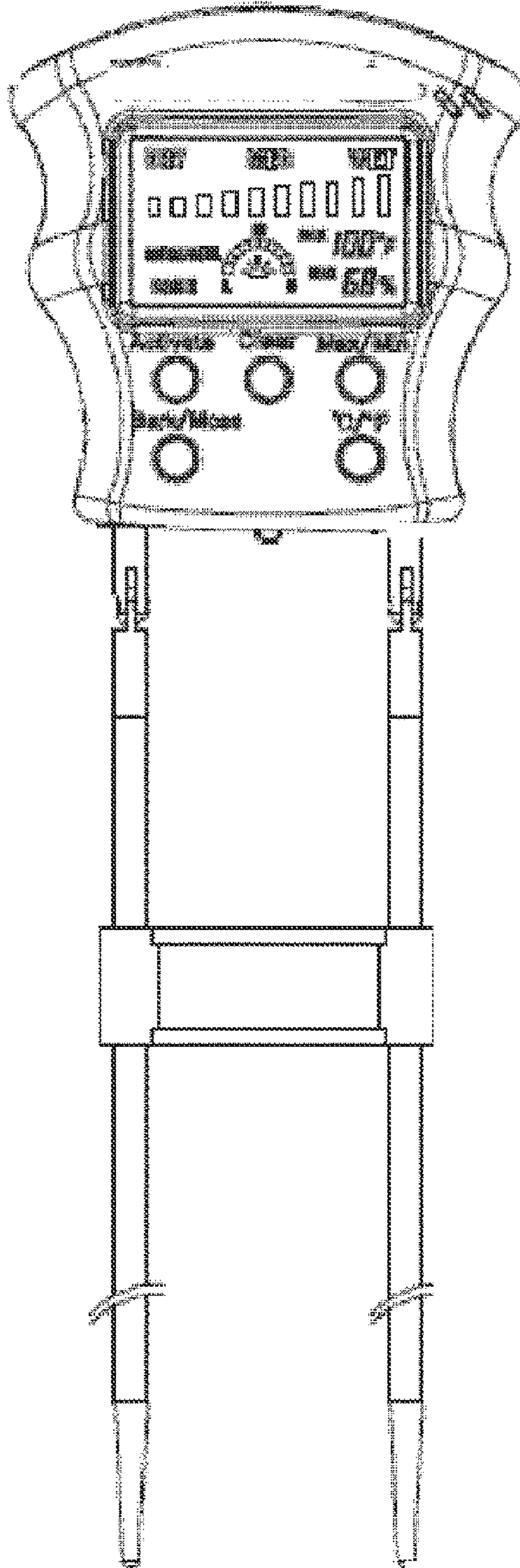
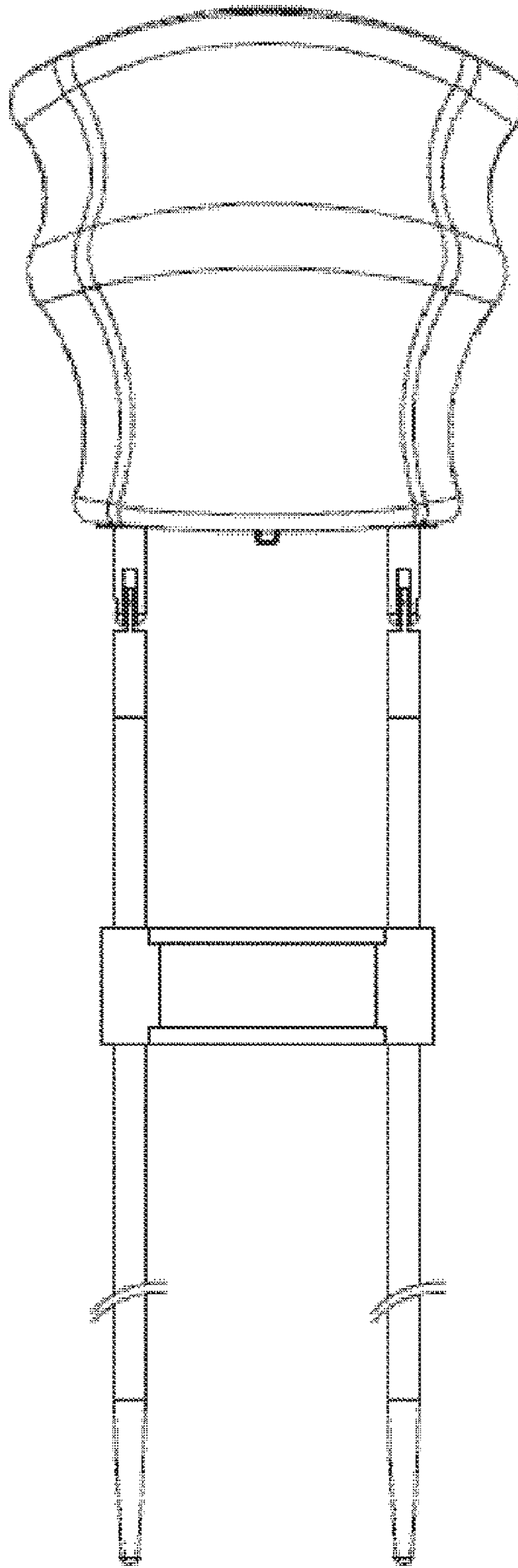
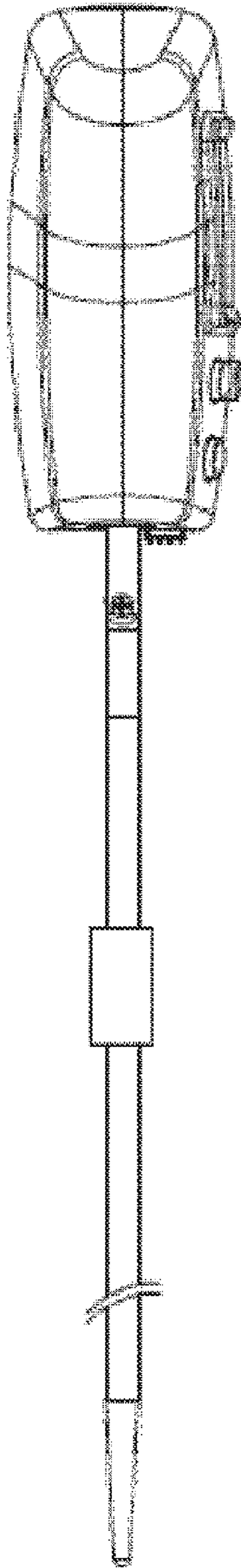


FIG. 1



*FIG. 2*



*FIG. 3*

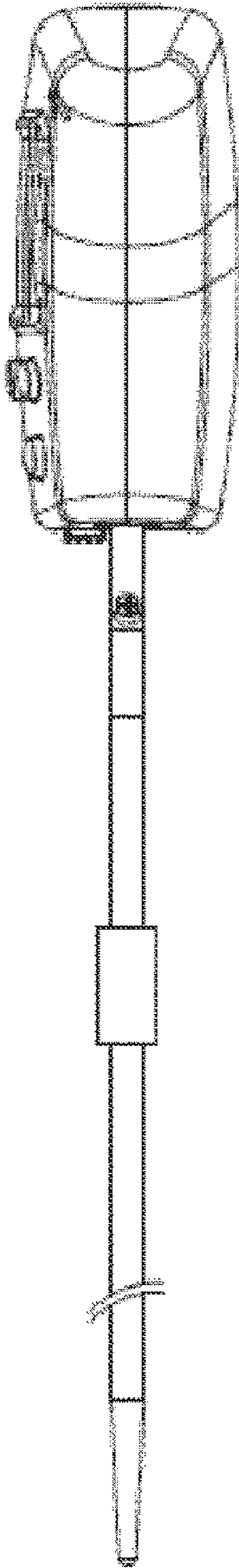
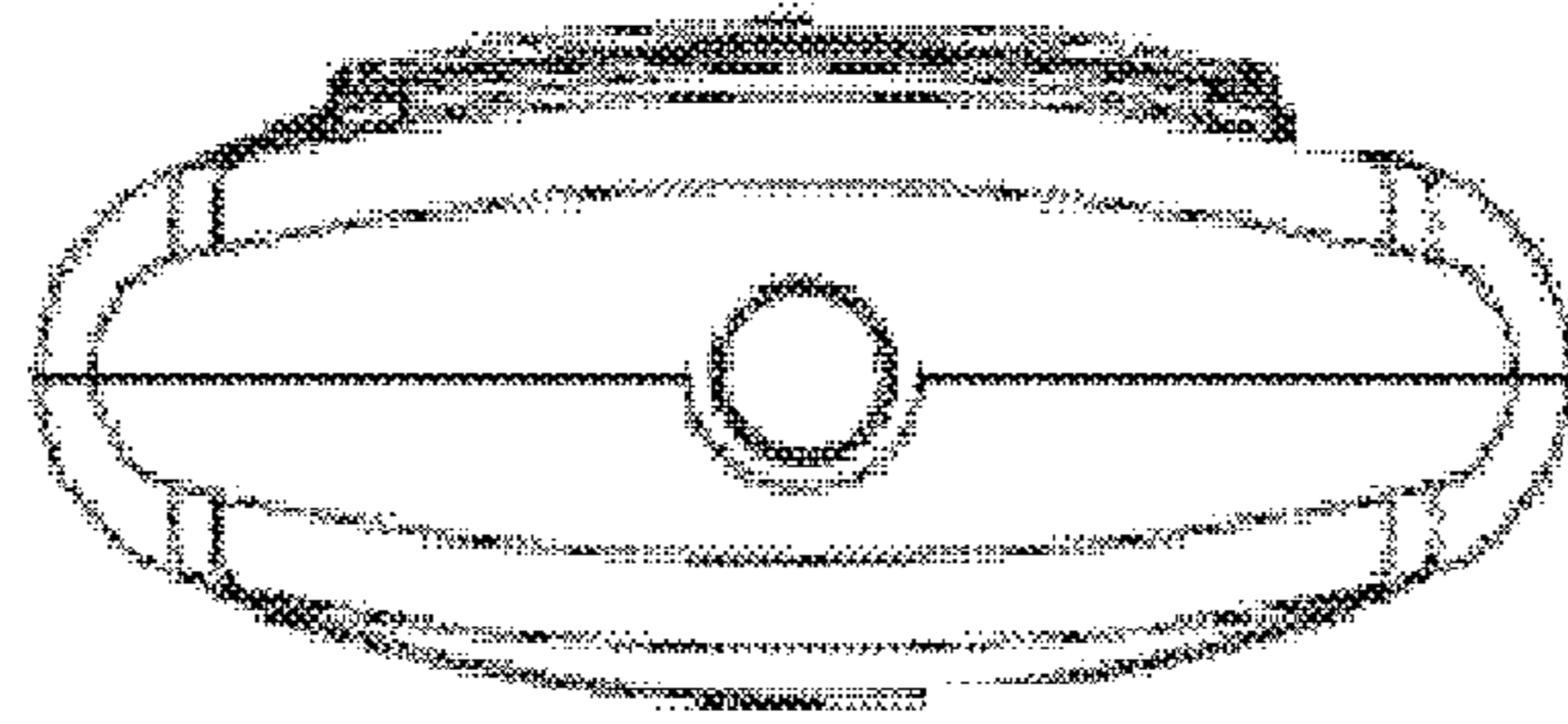
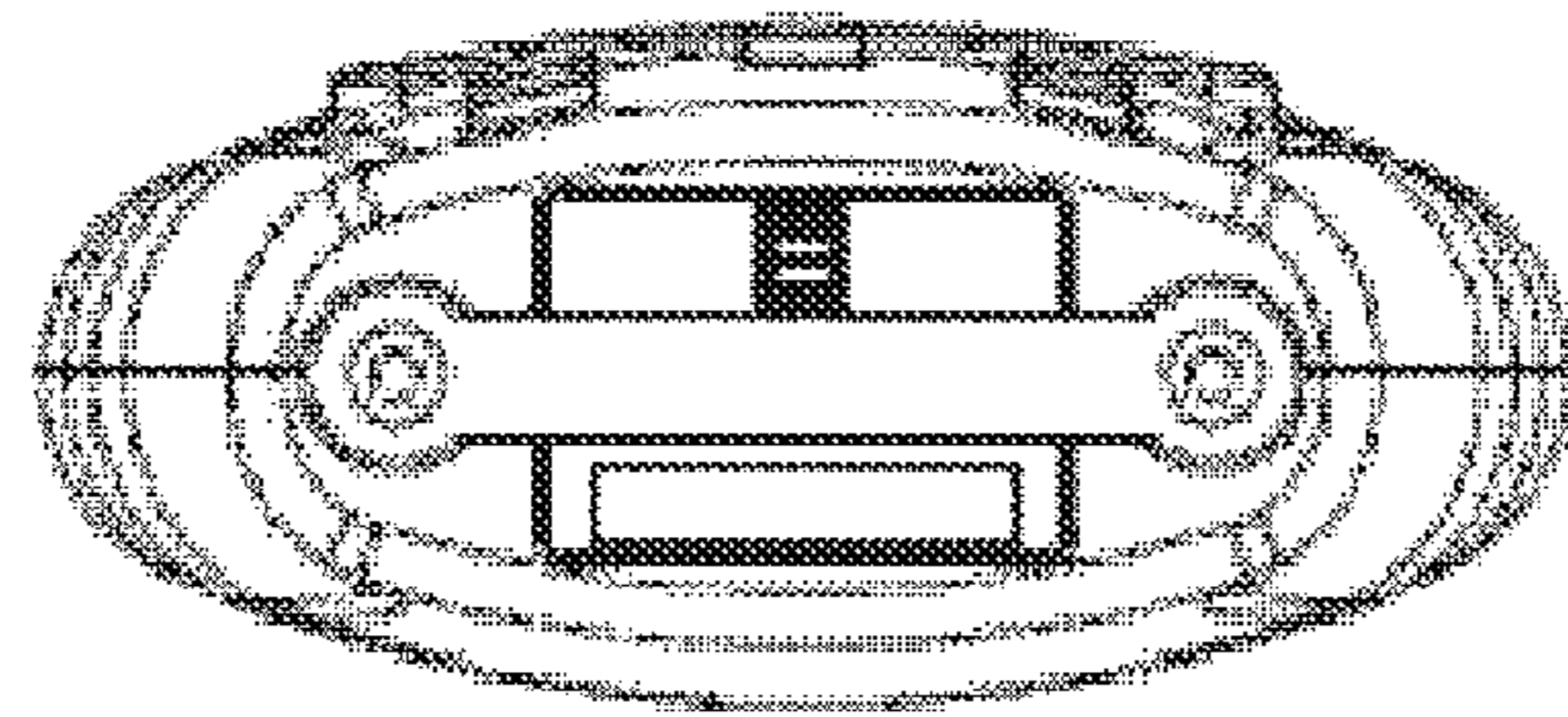


FIG. 4



*FIG. 5*



*FIG. 6*