



US00D636278S

(12) **United States Design Patent**
Franchini

(10) **Patent No.:** **US D636,278 S**
(45) **Date of Patent:** **** Apr. 19, 2011**

(54) **TIMER FOR TWO WAY SOLENOID VALVE**

(75) Inventor: **Gaetano Franchini**, Fiume Veneto (IT)

(73) Assignee: **Claber S.p.A.**, Fiume Veneto (PN) (IT)

(**) Term: **14 Years**

(21) Appl. No.: **29/347,845**

(22) Filed: **Jun. 22, 2010**

(30) **Foreign Application Priority Data**

Dec. 23, 2009 (EM) 001651464

(51) **LOC (9) Cl.** **10-03**

(52) **U.S. Cl.** **D10/40**

(58) **Field of Classification Search** D10/40;

D23/245; 137/624.11, 624.12, 624.18, 624.22,
137/624.21; 239/68, 69, 70

See application file for complete search history.

(56) **References Cited**

U.S. PATENT DOCUMENTS

D191,294	S	*	9/1961	Charnota	D23/246
D196,603	S	*	10/1963	Beinert	D23/245
3,187,943	A	*	6/1965	Wolf	222/20
D263,069	S	*	2/1982	Chow et al.	D23/245
D281,808	S	*	12/1985	Lemkin et al.	D23/245
4,562,865	A	*	1/1986	Lemkin et al.	137/624.12
4,633,905	A	*	1/1987	Wang	137/624.11
D298,962	S	*	12/1988	Bruninga	D23/245
D299,516	S	*	1/1989	Wang	D23/200
4,797,820	A	*	1/1989	Wilson et al.	700/284
4,807,664	A	*	2/1989	Wilson et al.	137/624.11
D304,224	S	*	10/1989	Wilson et al.	D23/245
D309,175	S	*	7/1990	Hastings et al.	D23/245
5,033,509	A	*	7/1991	Tsai	137/624.2
D354,546	S	*	1/1995	Clivio	D23/246
D365,771	S	*	1/1996	Clivio	D10/96

D377,316	S	*	1/1997	Roman et al.	D10/40
D386,985	S	*	12/1997	Cameron	D10/40
5,826,619	A	*	10/1998	Roman	137/624.11
D412,549	S	*	8/1999	Redhead et al.	D23/233
D430,044	S	*	8/2000	Clivio	D10/40
D431,195	S	*	9/2000	Clivio	D10/40
D437,917	S	*	2/2001	Weingarten	D23/244
6,283,139	B1	*	9/2001	Symonds et al.	137/78.3
6,397,888	B1	*	6/2002	Wang	137/624.12
D467,187	S	*	12/2002	Clivio	D10/40
D477,287	S	*	7/2003	Roman	D13/162
D485,502	S	*	1/2004	Clivio	D10/40
6,719,010	B1	*	4/2004	Yi-Chang	137/624.11
6,986,364	B1	*	1/2006	Wang	137/624.11
7,252,113	B2	*	8/2007	Jacobs et al.	137/624.11
D559,708	S	*	1/2008	Michael et al.	D10/40
D567,680	S	*	4/2008	Michael et al.	D10/40
D604,183	S	*	11/2009	Zore et al.	D10/40
D604,184	S	*	11/2009	Leer et al.	D10/40
7,810,515	B2	*	10/2010	Nies et al.	137/78.3

* cited by examiner

Primary Examiner — Lucy Lieberman

(74) *Attorney, Agent, or Firm* — Jacobson Holman PLLC

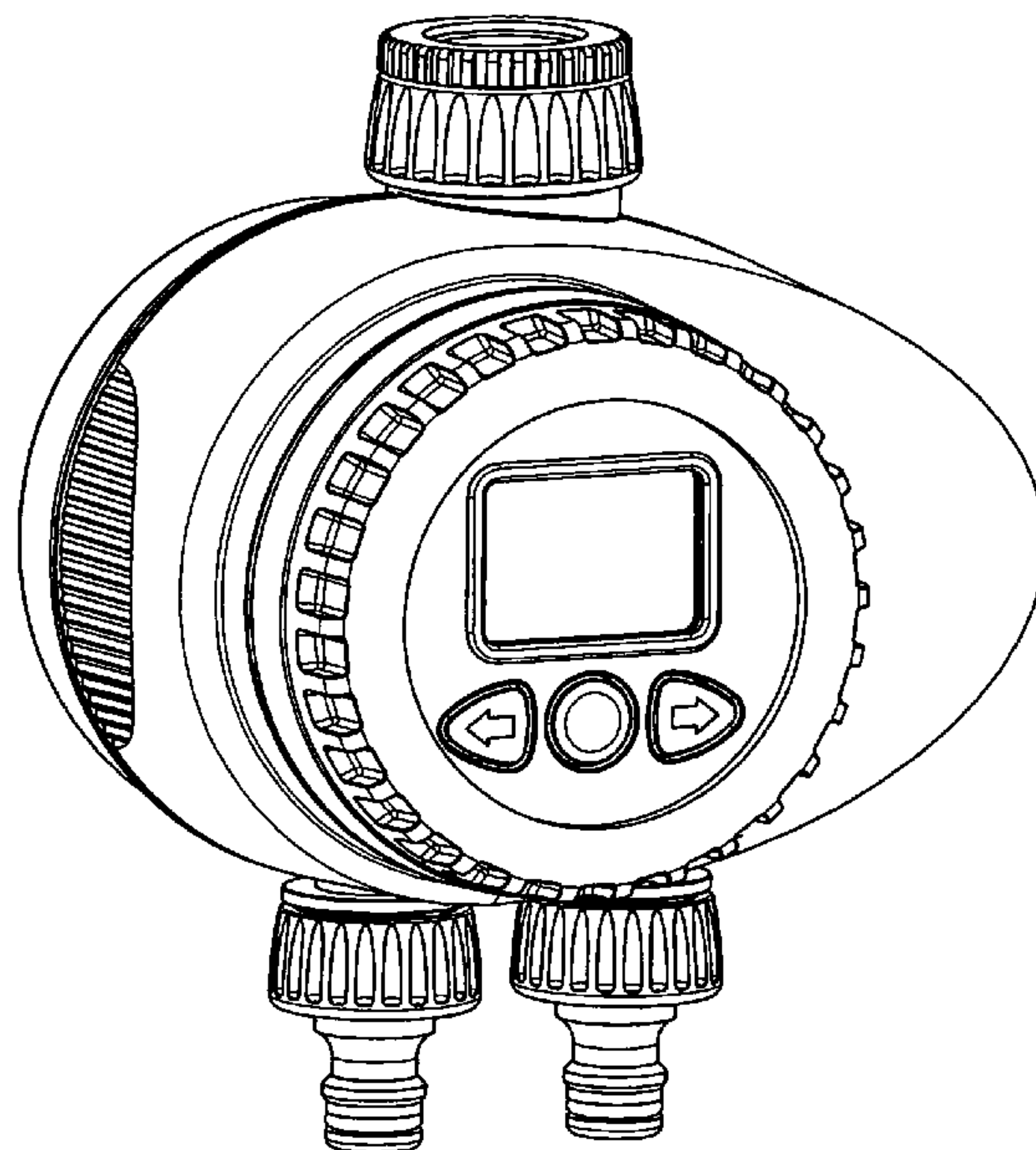
(57) **CLAIM**

I claim the ornamental design for “timer for two way solenoid valve,” as shown and described.

DESCRIPTION

FIG. 1 shows a first front perspective view of a timer; FIG. 2 shows a second front perspective view of the timer of FIG. 1; FIG. 3 shows a first back perspective view of the timer of FIG. 1; FIG. 4 shows a first lateral view of the timer of FIG. 1; FIG. 5 shows a second lateral view of the timer of FIG. 1; FIG. 6 shows a top view of the timer of FIG. 1; and, FIG. 7 shows a bottom view of the timer of FIG. 1.

1 Claim, 7 Drawing Sheets



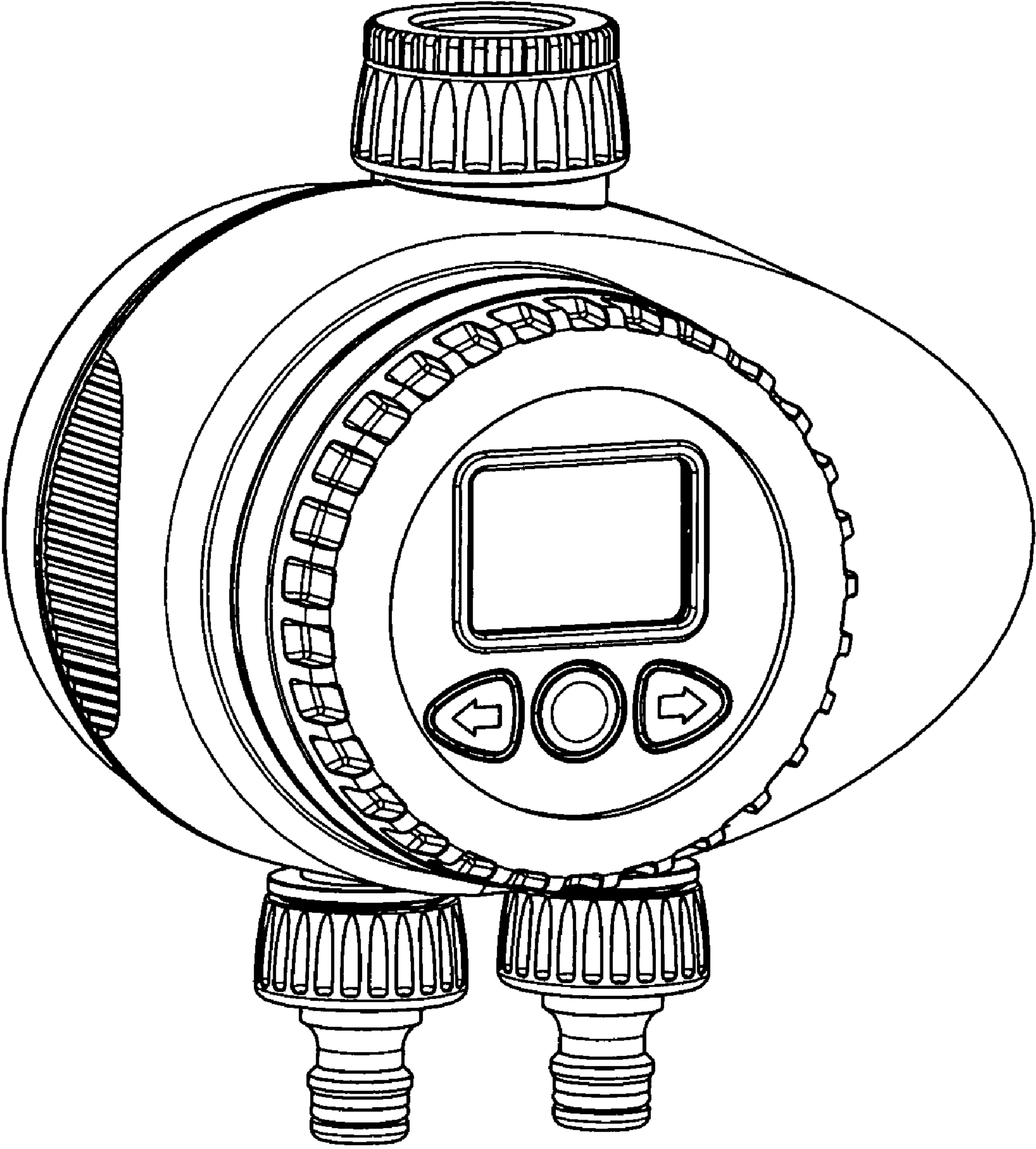


FIG.1

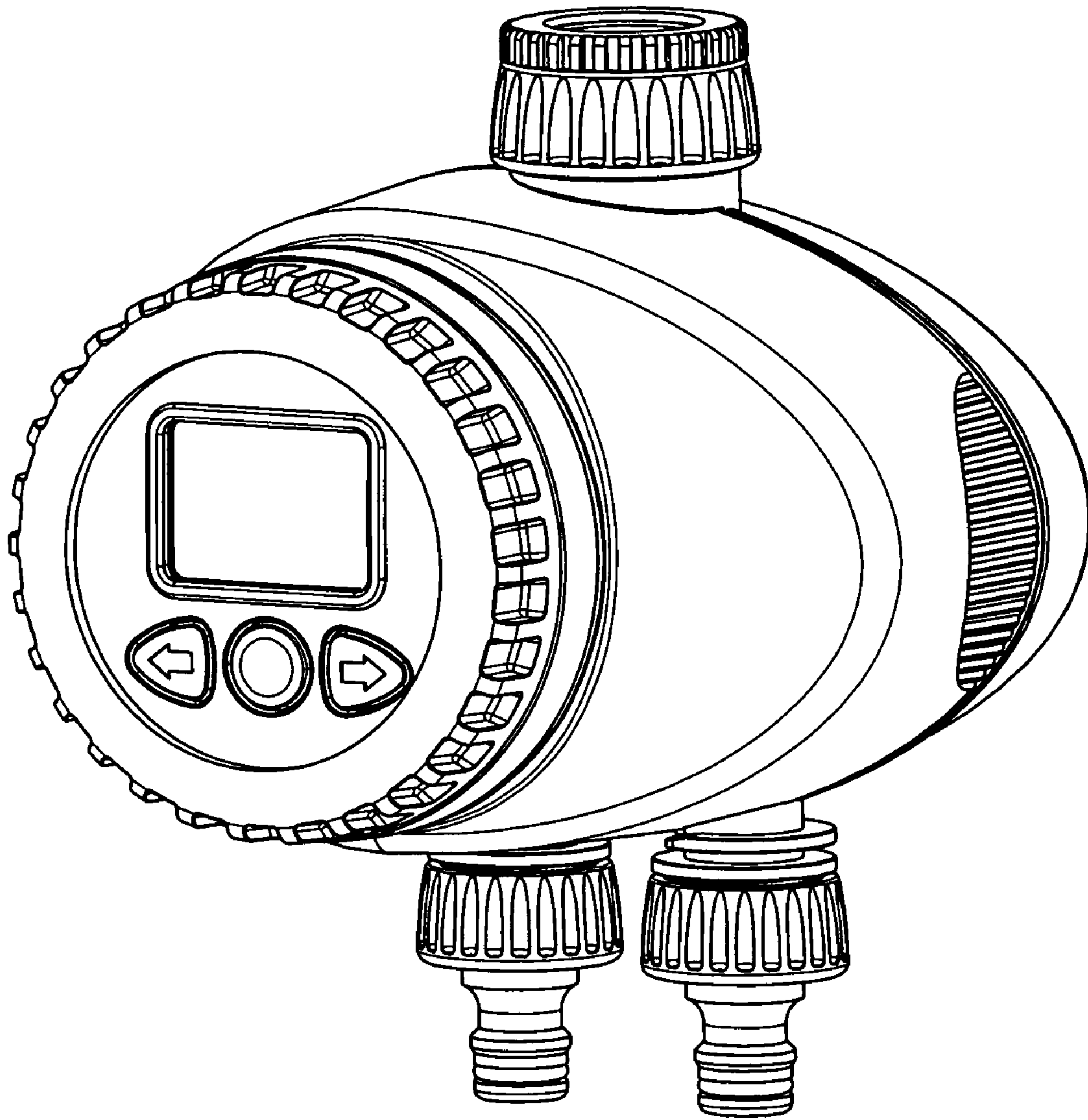


FIG.2

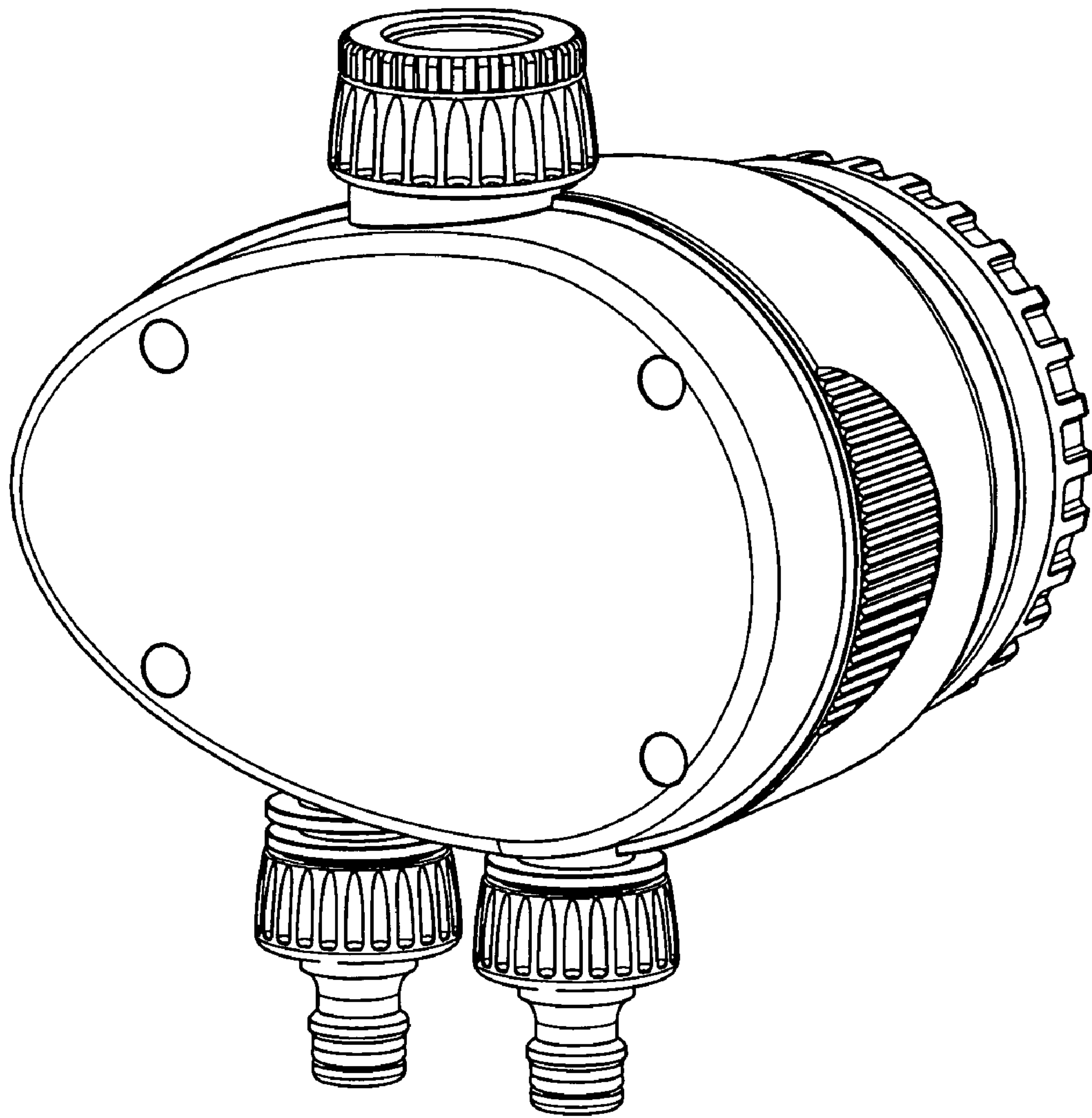


FIG.3

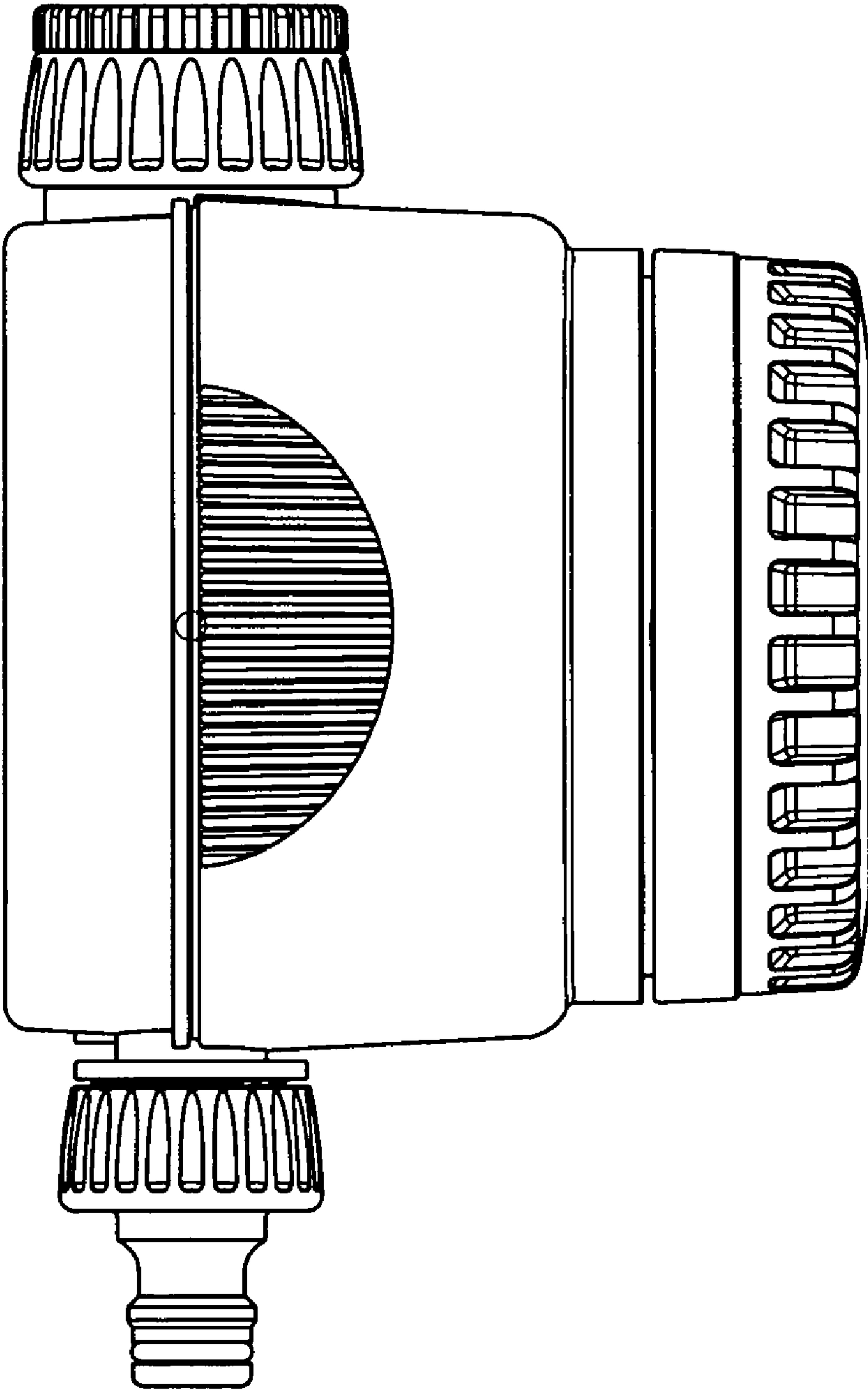


FIG. 4

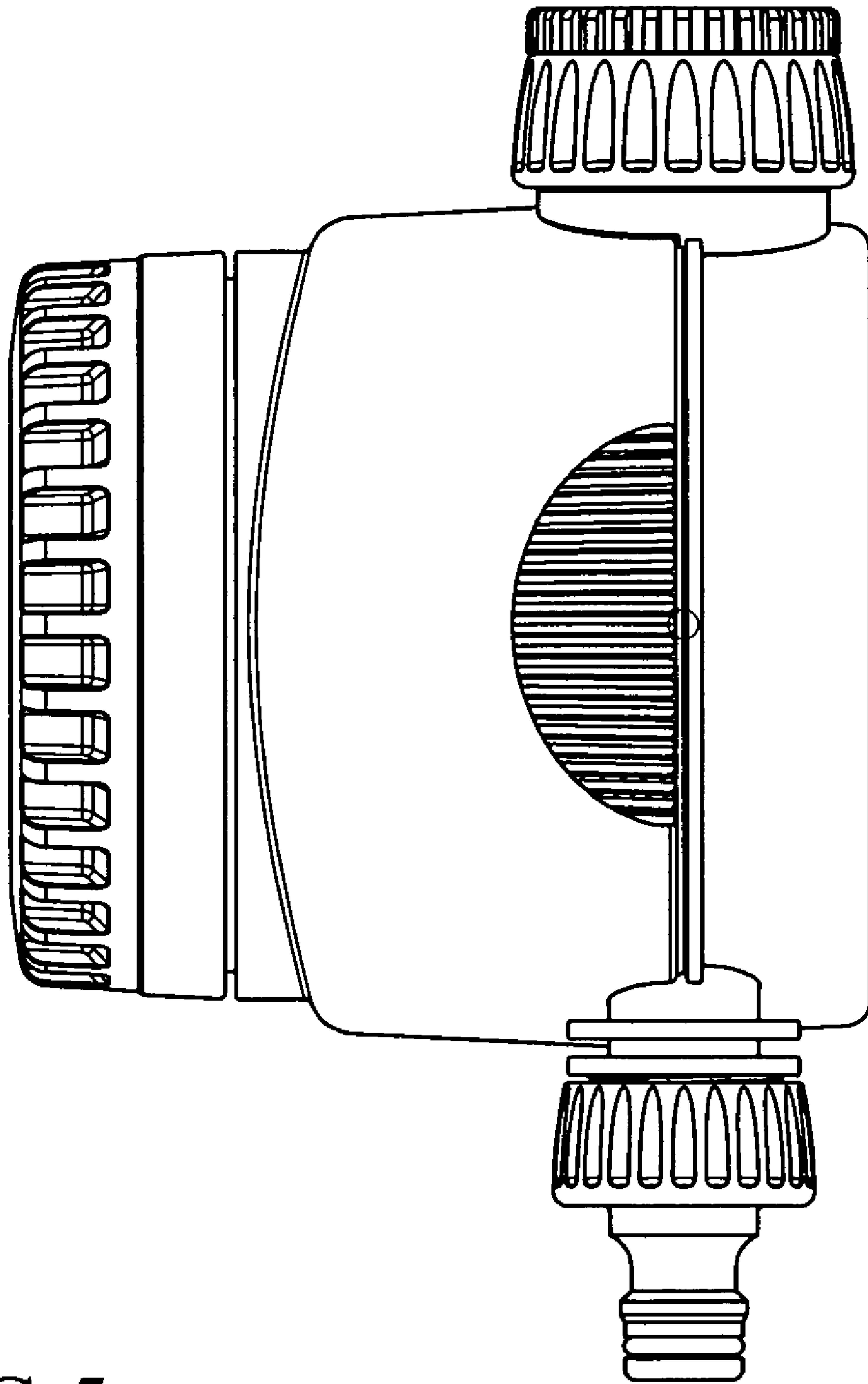


FIG. 5

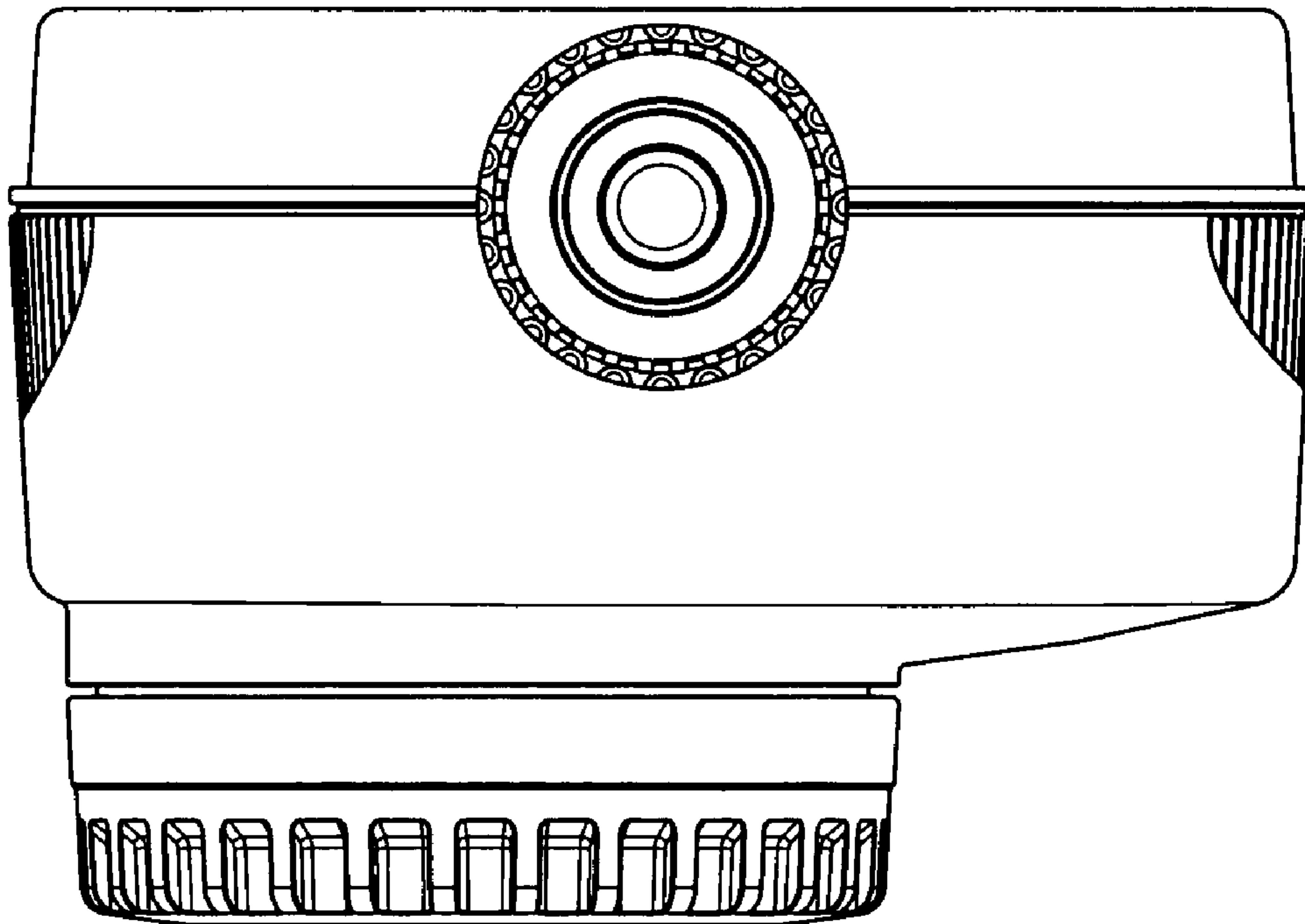


FIG.6

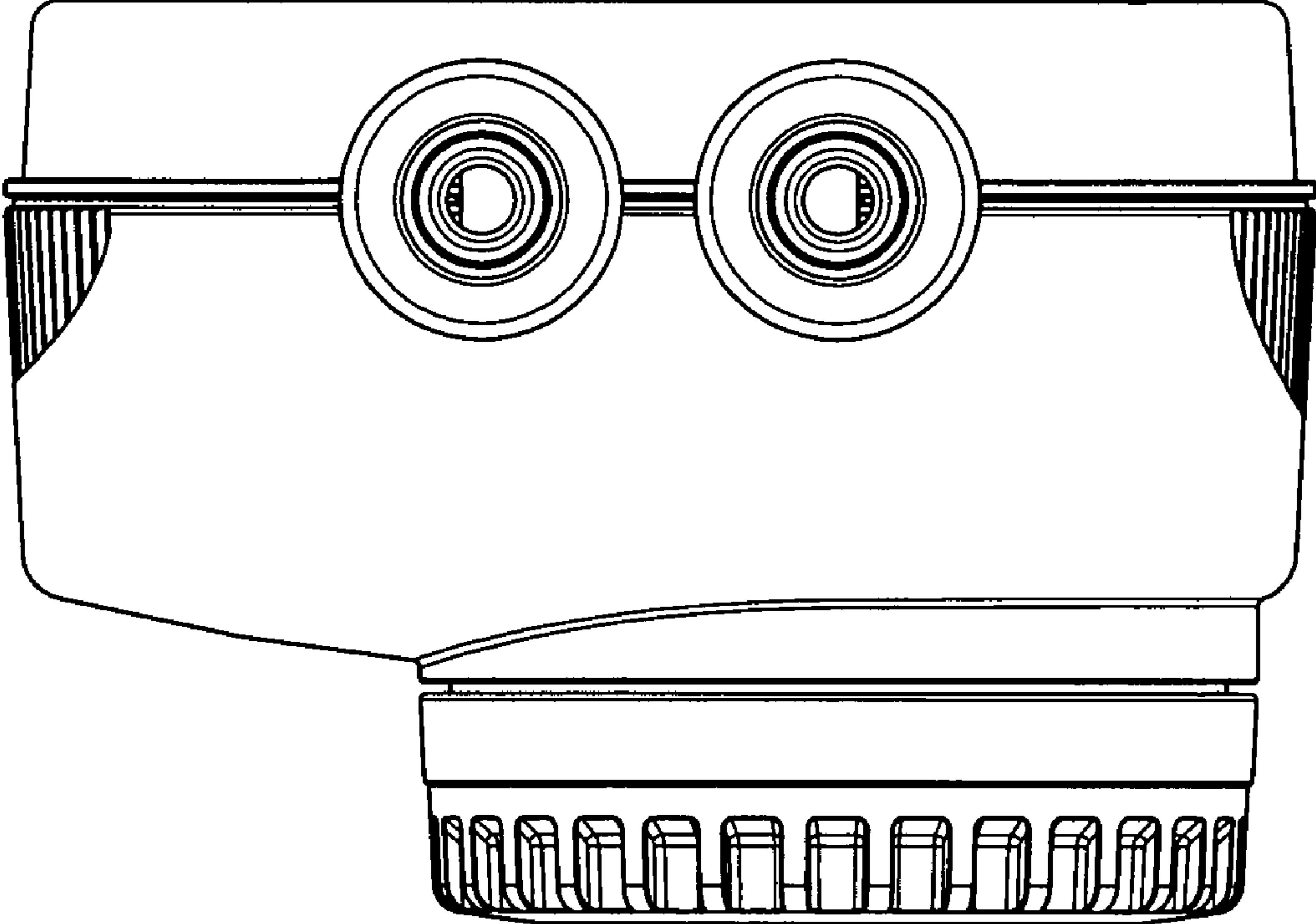


FIG. 7