



US00D636277S

(12) **United States Design Patent**  
**Starck et al.**

(10) **Patent No.:** **US D636,277 S**

(45) **Date of Patent:** **\*\* Apr. 19, 2011**

(54) **CLOCK**

(75) Inventors: **Philippe Starck**, Paris (FR); **Eugeni Quitlet**, Paris (FR)

(73) Assignee: **Kartell S.p.A.** (IT)

(\*\*) Term: **14 Years**

(21) Appl. No.: **29/359,595**

(22) Filed: **Apr. 13, 2010**

(51) **LOC (9) Cl.** ..... **10-01**

(52) **U.S. Cl.** ..... **D10/25**

(58) **Field of Classification Search** ..... D10/1-29;  
368/276, 316, 317

See application file for complete search history.

(56) **References Cited**

**U.S. PATENT DOCUMENTS**

D185,745 S *	7/1959	Florian	.....	D10/25
D186,678 S *	11/1959	Florian	.....	D10/25
D197,433 S *	2/1964	Reinecke	.....	D10/25
D197,660 S *	3/1964	Florian	.....	D10/25
D212,249 S *	9/1968	Herbst	.....	D10/25
D221,243 S *	7/1971	Guth	.....	D10/25
D223,947 S *	6/1972	Daher	.....	D10/25
D276,314 S *	11/1984	Walch	.....	D10/25
D282,825 S *	3/1986	Kostios	.....	D10/25
D290,936 S *	7/1987	Hill	.....	D10/25

D318,021 S *	7/1991	Mukoyama	.....	D10/24
D321,139 S *	10/1991	Aikawa	.....	D10/24
D409,096 S *	5/1999	Young	.....	D10/2
D467,818 S *	12/2002	Chan	.....	D10/25
D475,304 S *	6/2003	Morgan	.....	D10/26

\* cited by examiner

*Primary Examiner* — Lucy Lieberman

(74) *Attorney, Agent, or Firm* — Cantor Colburn LLP

(57) **CLAIM**

We claim, the ornamental design for a clock, as shown and described.

**DESCRIPTION**

FIG. 1 is a front perspective view of a clock, showing our new design;

FIG. 2 is a front elevation view thereof;

FIG. 3 is a rear elevation view thereof;

FIG. 4 is a top plan view hereof;

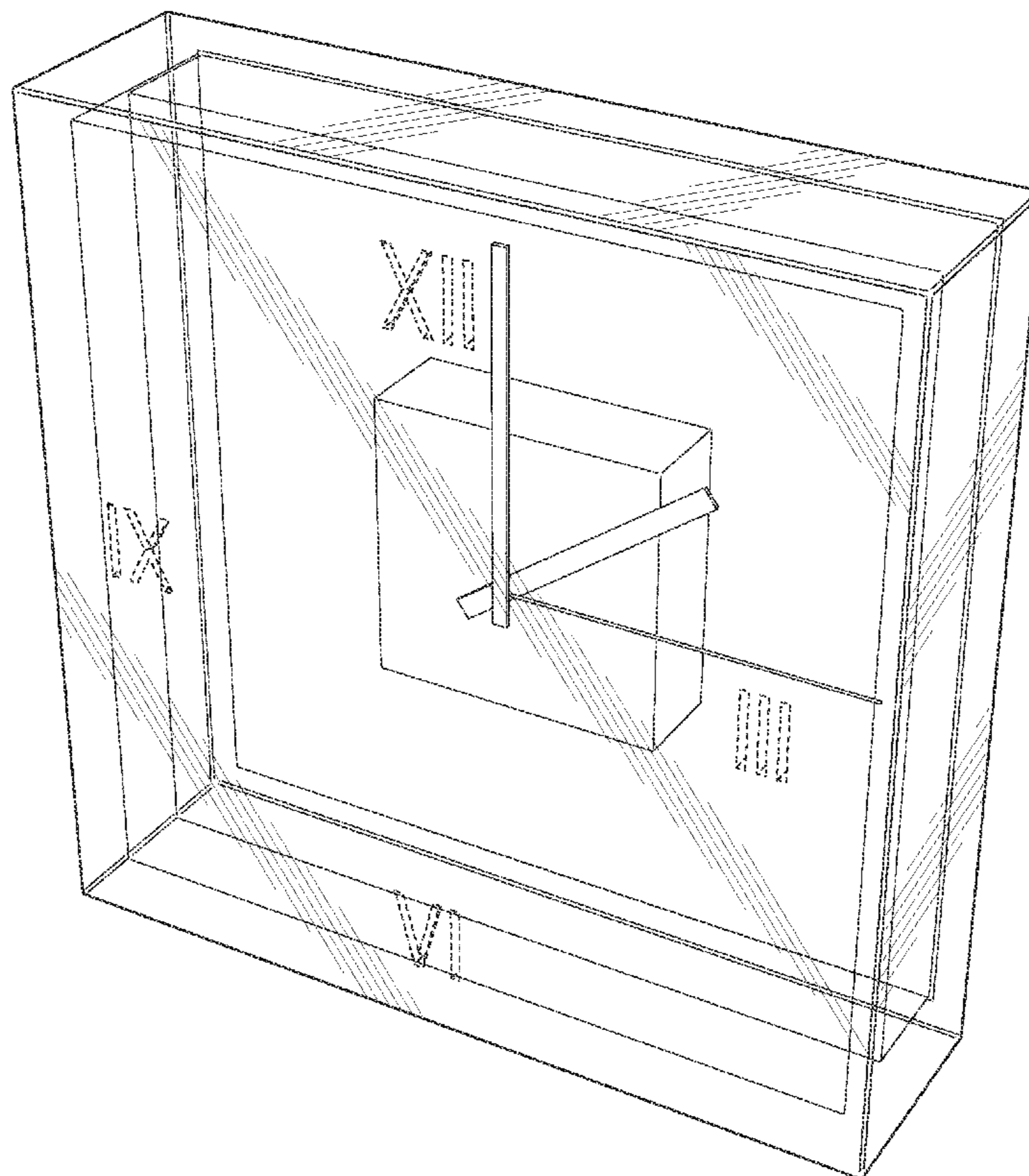
FIG. 5 is a bottom plan view thereof;

FIG. 6 is a side elevation view thereof taken from the right of FIG. 1; and,

FIG. 7 is a side elevation view thereof taken from the left of FIG. 1.

The broken lines showing the numbers on the clock in FIGS. 1, 2, and 3 are for illustrative purposes only and form no part of the claimed design.

**1 Claim, 5 Drawing Sheets**



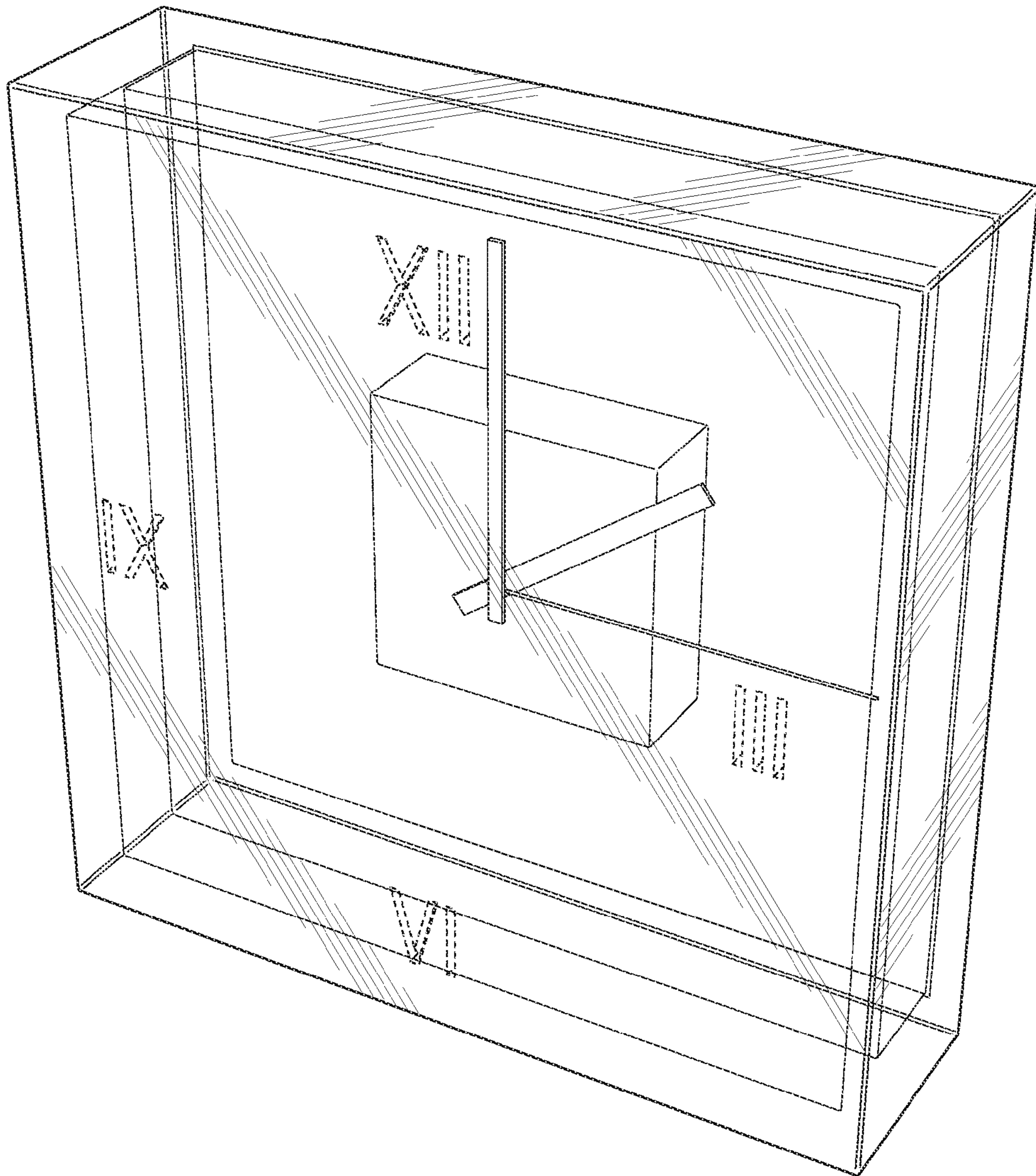


FIG. 1

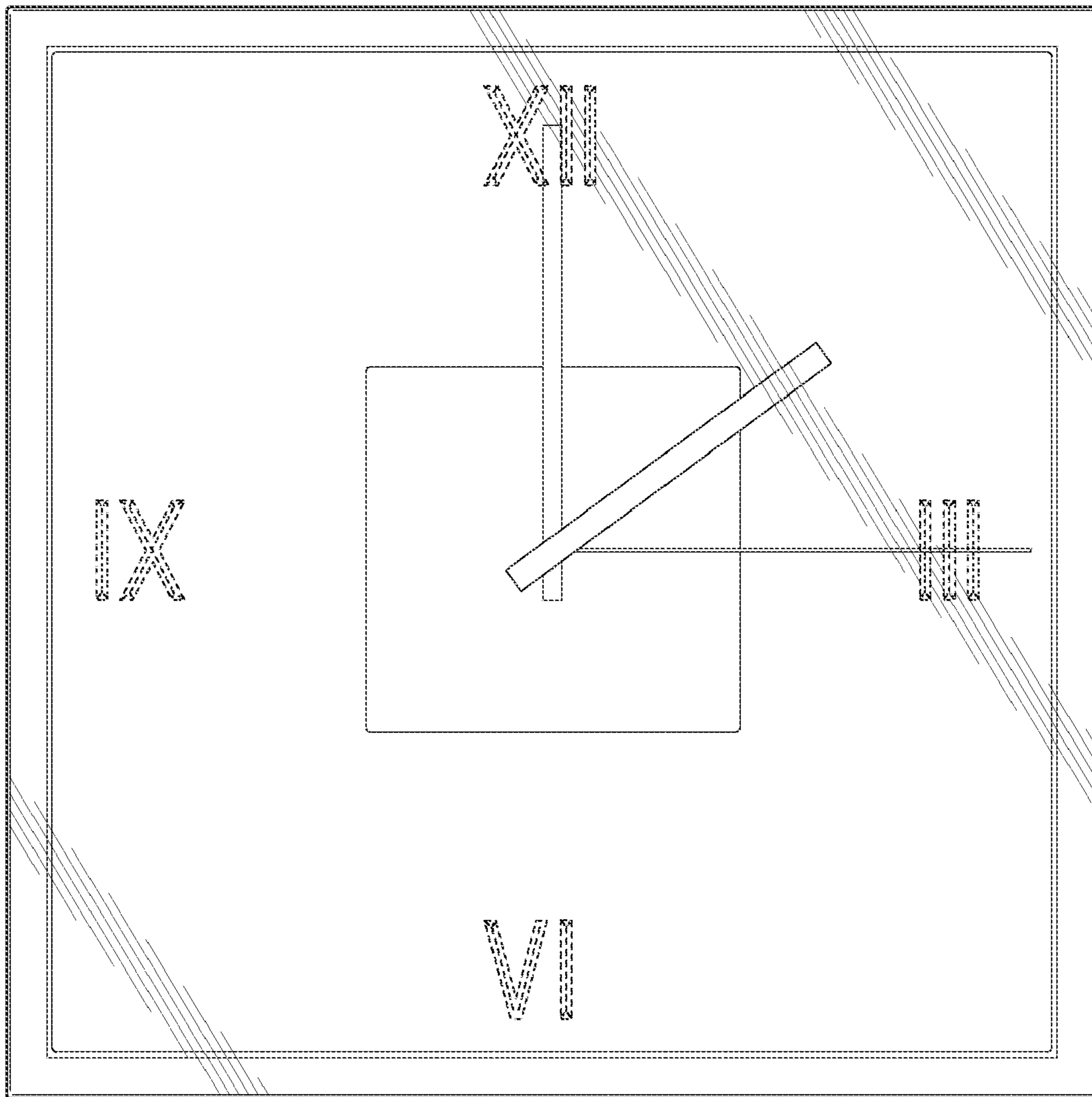


FIG. 2

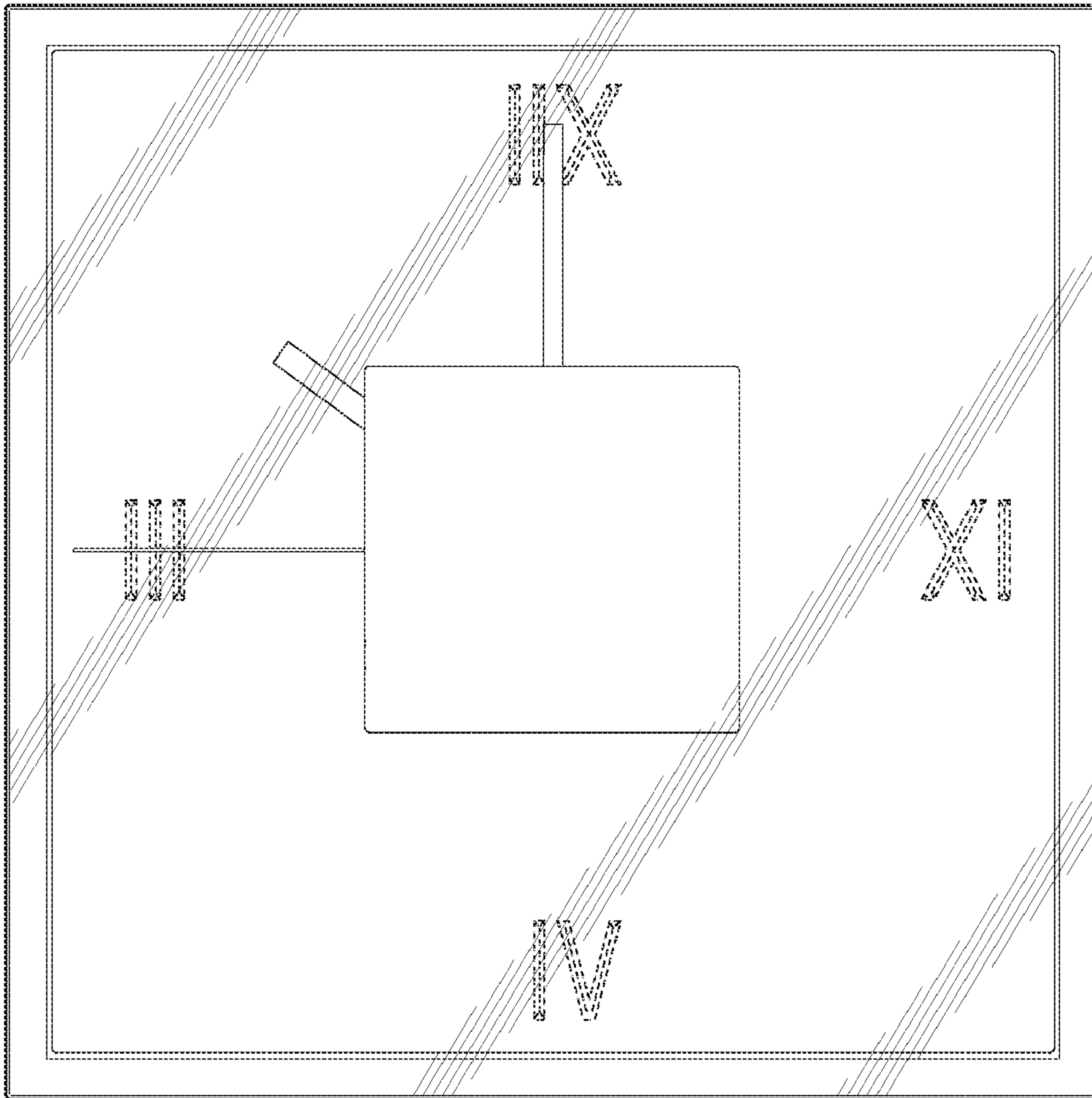
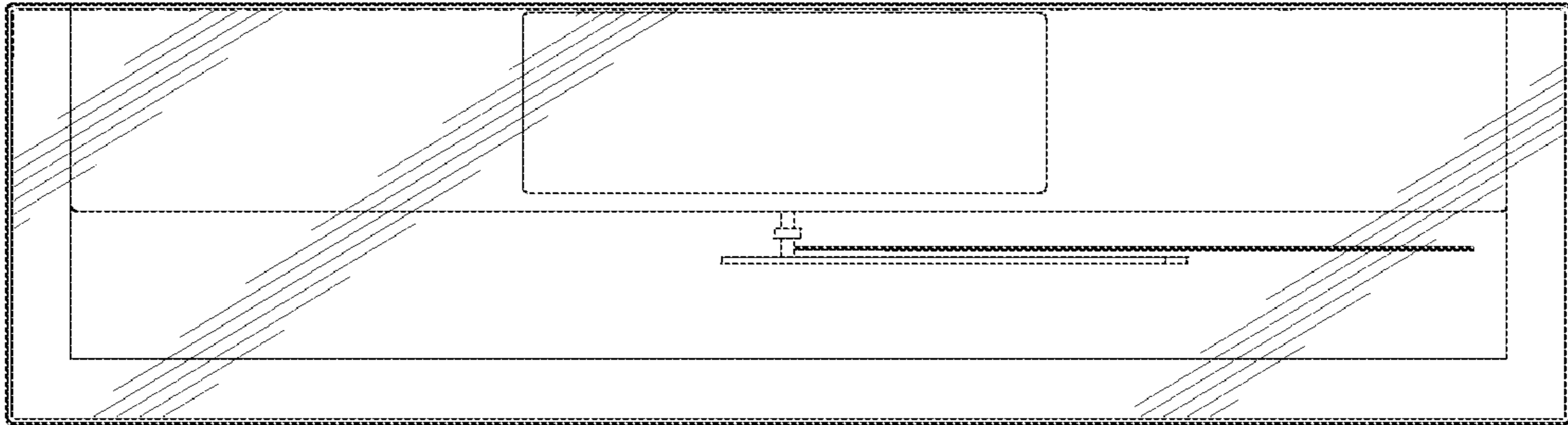
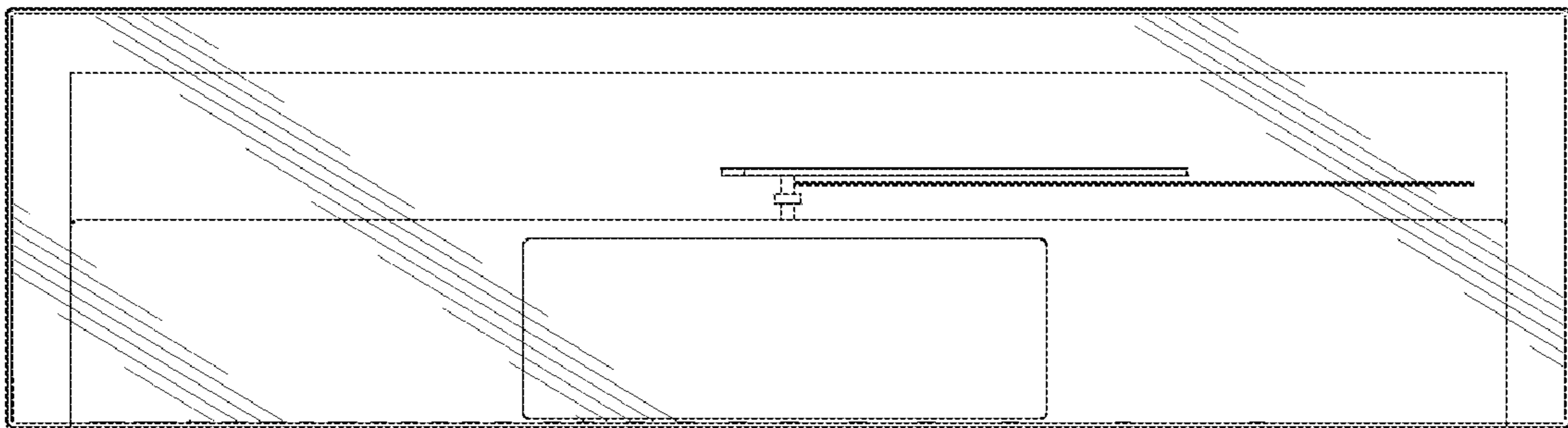


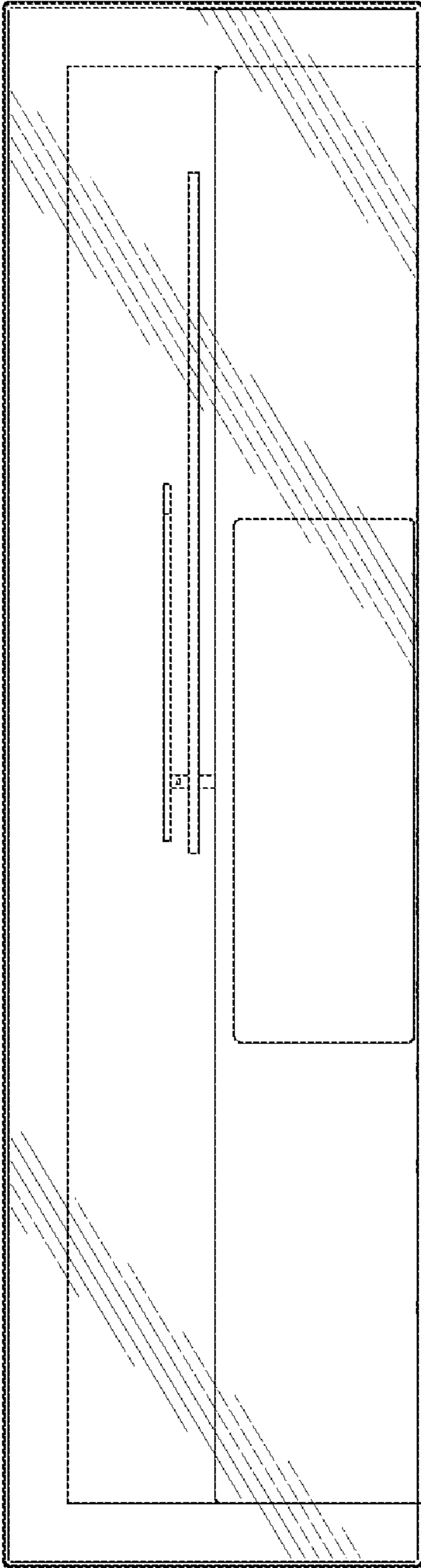
FIG. 3



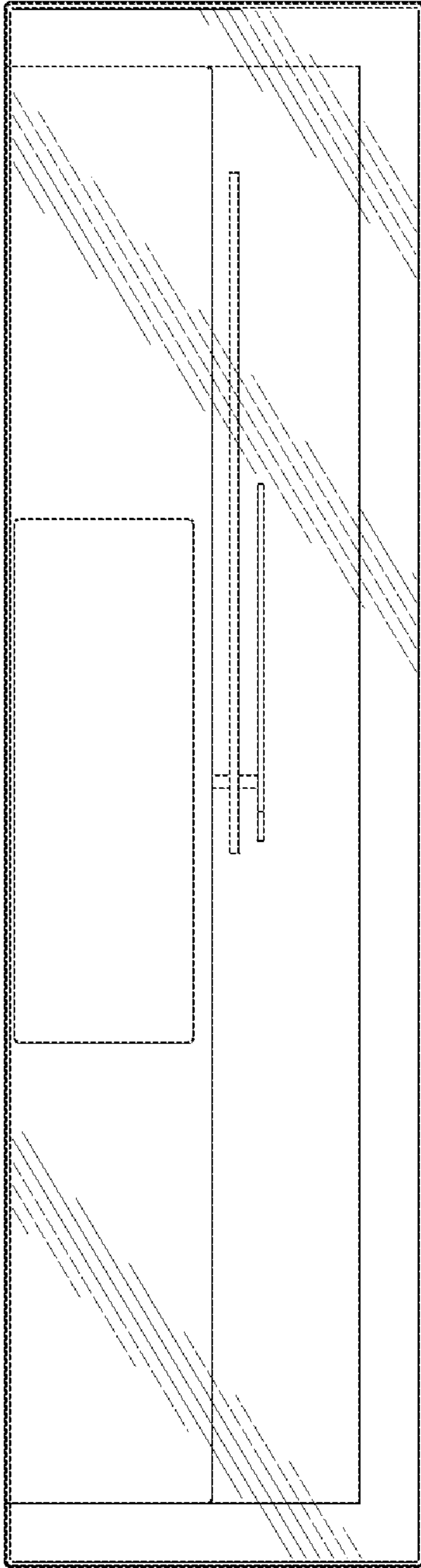
**FIG. 4**



**FIG. 5**



**FIG. 6**



**FIG. 7**