



US00D636276S

(12) **United States Design Patent**
Starck et al.

(10) **Patent No.:** **US D636,276 S**

(45) **Date of Patent:** **** Apr. 19, 2011**

(54) **CLOCK**

(75) Inventors: **Philippe Starck**, Paris (FR); **Eugeni Quidlet**, Paris (FR)

(73) Assignee: **Kartell S.p.A.** (IT)

(**) Term: **14 Years**

(21) Appl. No.: **29/359,554**

(22) Filed: **Apr. 13, 2010**

(51) **LOC (9) Cl.** **10-01**

(52) **U.S. Cl.** **D10/24**

(58) **Field of Classification Search** D10/1-29;
368/276, 316, 317

See application file for complete search history.

(56) **References Cited**

U.S. PATENT DOCUMENTS

D186,678 S *	11/1959	Florian	D10/25
D197,433 S *	2/1964	Reinecke	D10/25
D221,243 S *	7/1971	Guth	D10/25
D223,947 S *	6/1972	Daher	D10/25
D276,314 S *	11/1984	Walch	D10/25
D282,825 S *	3/1986	Kostios	D10/25
D290,936 S *	7/1987	Hill	D10/25
D302,127 S *	7/1989	Sugano	D10/24
D310,173 S *	8/1990	Sugano	D10/24

D318,021 S *	7/1991	Mukoyama	D10/24
D321,139 S *	10/1991	Aikawa	D10/24
D467,818 S *	12/2002	Chan	D10/25

* cited by examiner

Primary Examiner — Lucy Lieberman

(74) *Attorney, Agent, or Firm* — Cantor Colburn LLP

(57) **CLAIM**

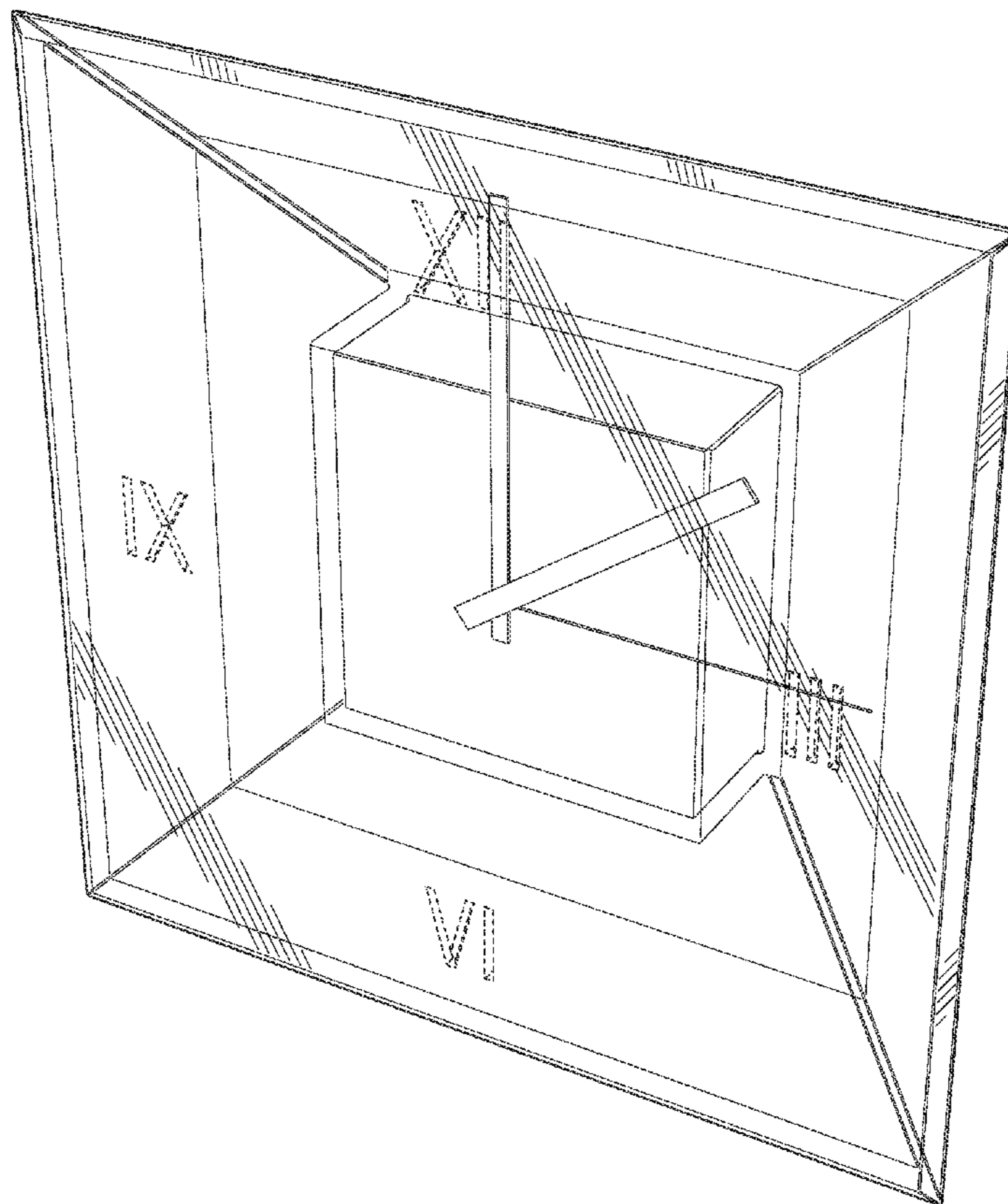
We claim, the ornamental design for a clock, as shown and described.

DESCRIPTION

FIG. 1 is a front perspective view of a clock, showing our new design;
 FIG. 2 is a front elevation view thereof;
 FIG. 3 is a rear elevation view thereof;
 FIG. 4 is a top plan view hereof;
 FIG. 5 is a bottom plan view thereof;
 FIG. 6 is a side elevation view thereof taken from the right of FIG. 1; and,
 FIG. 7 is a side elevation view thereof taken from the left of FIG. 1.

The broken lines showing the numbers on the clock in FIGS. 1, 2, and 3 are for illustrative purposes only and form no part of the claimed design.

1 Claim, 5 Drawing Sheets



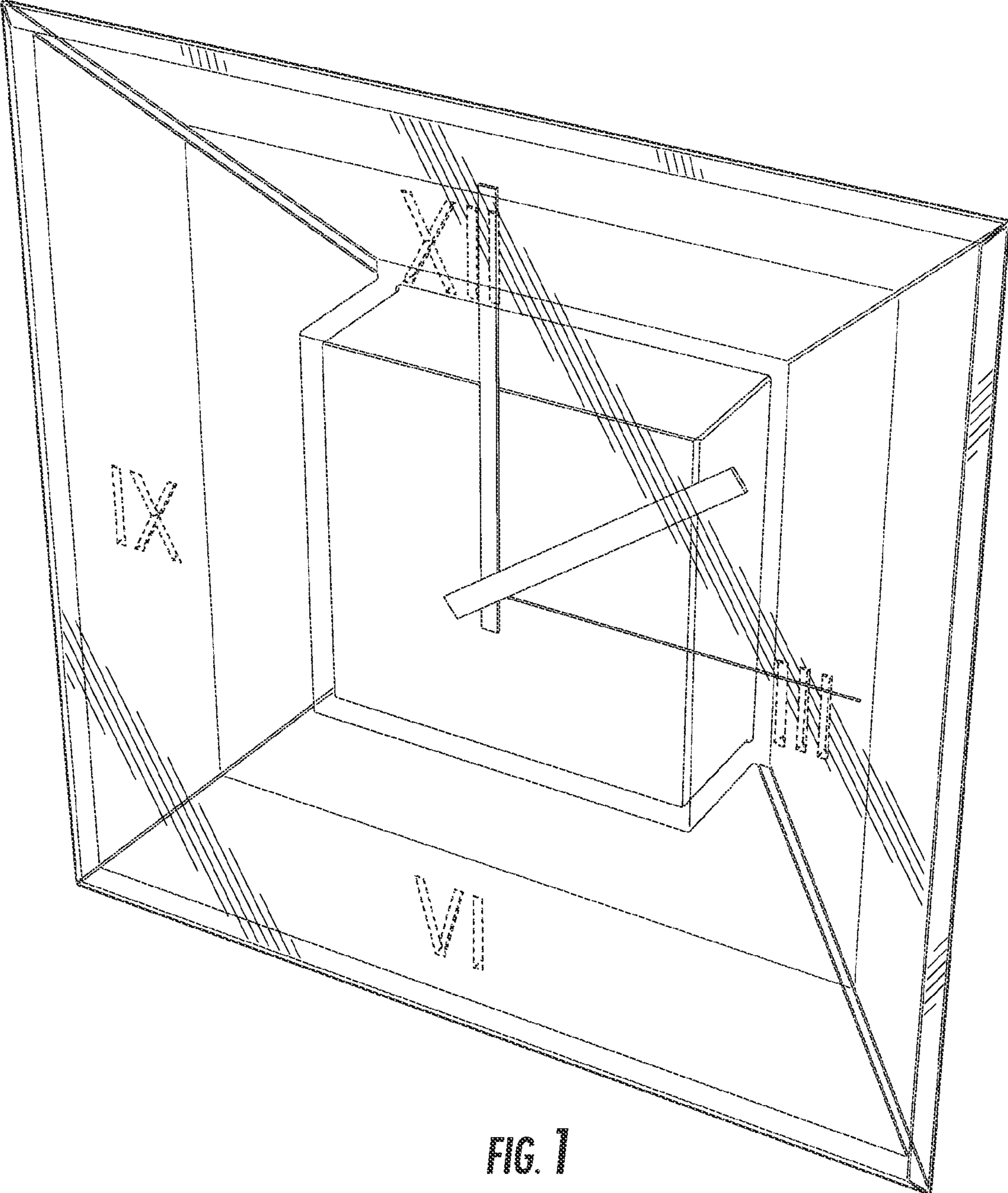


FIG. 1

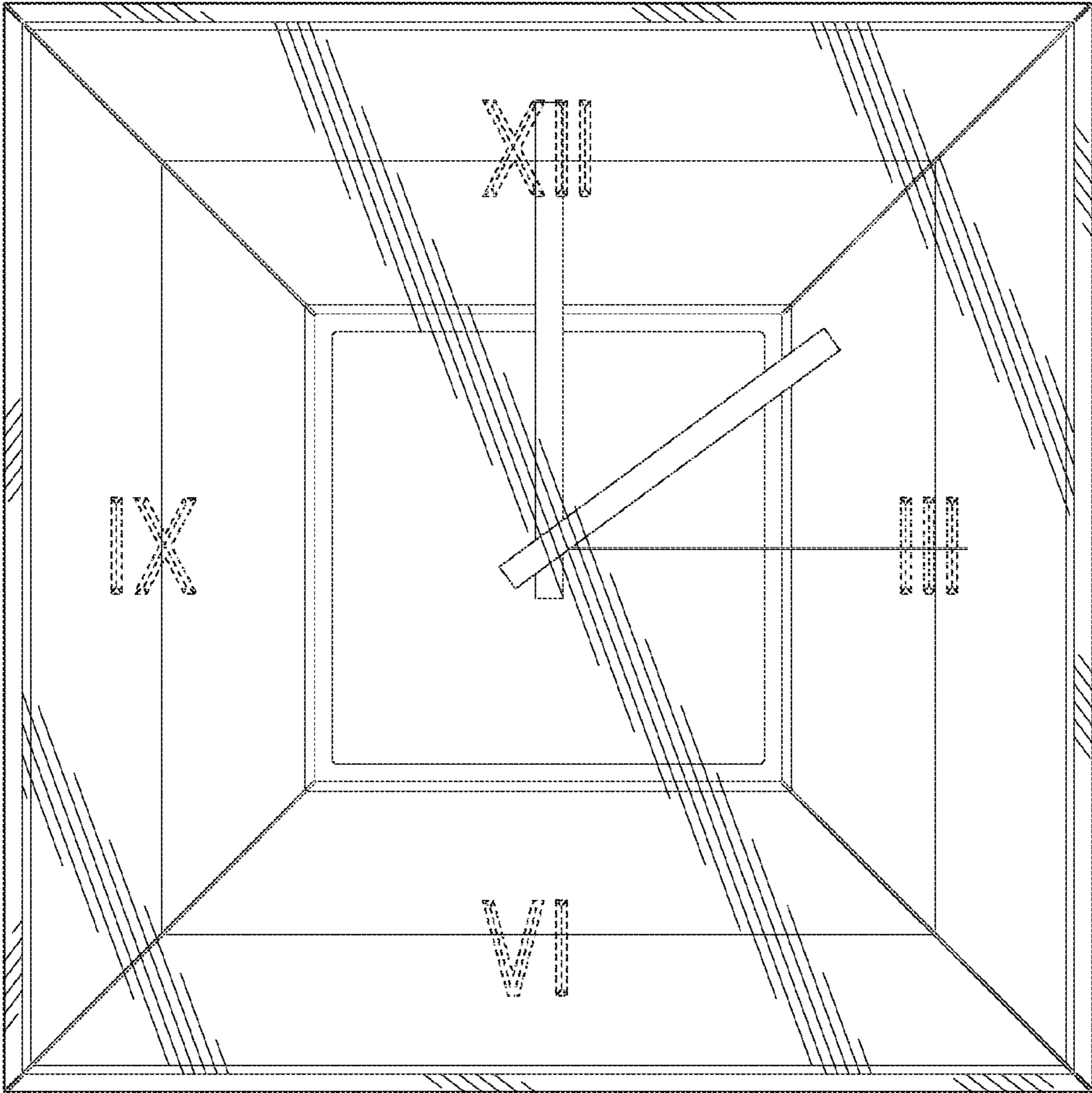


FIG. 2

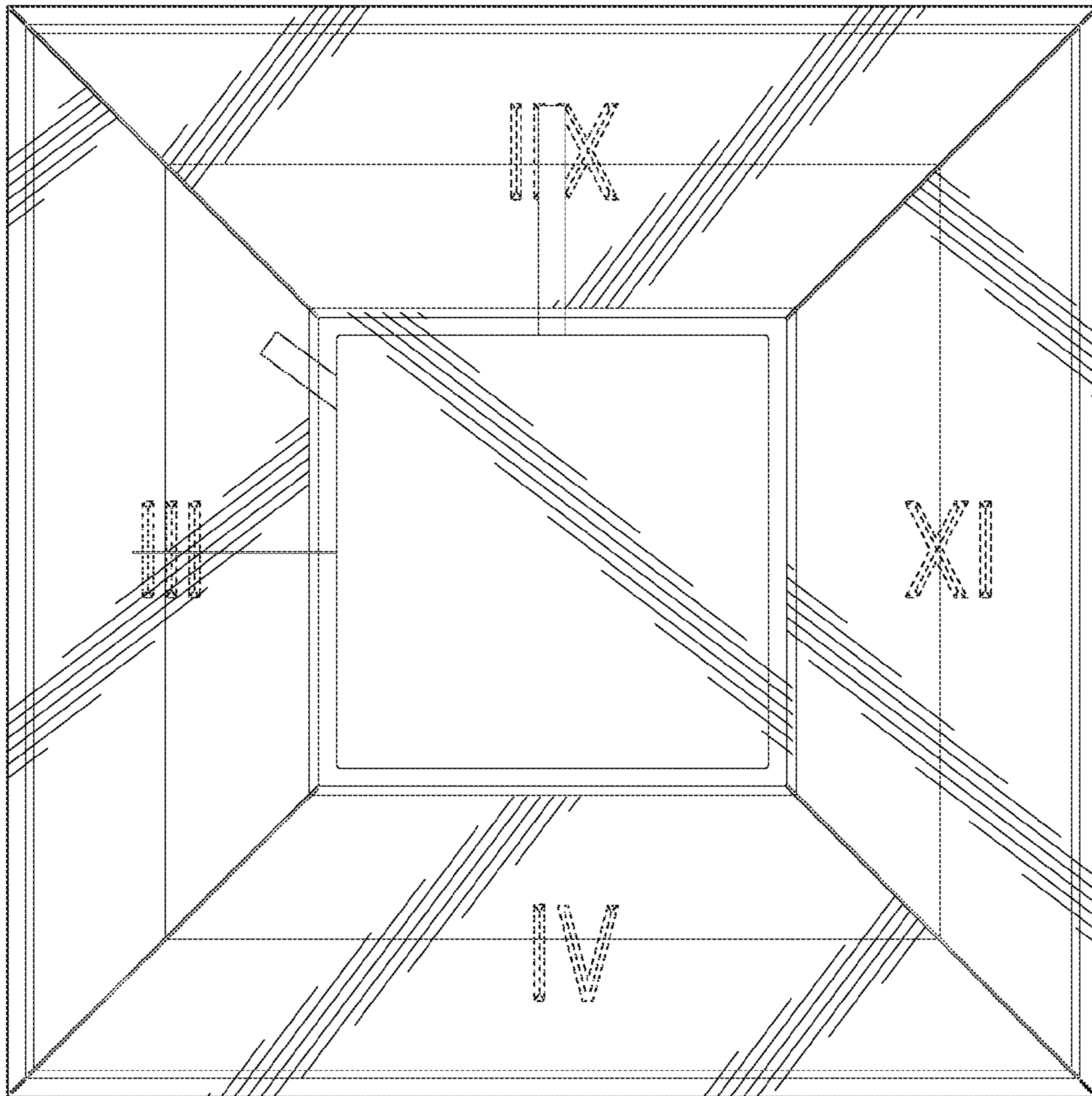


FIG. 3

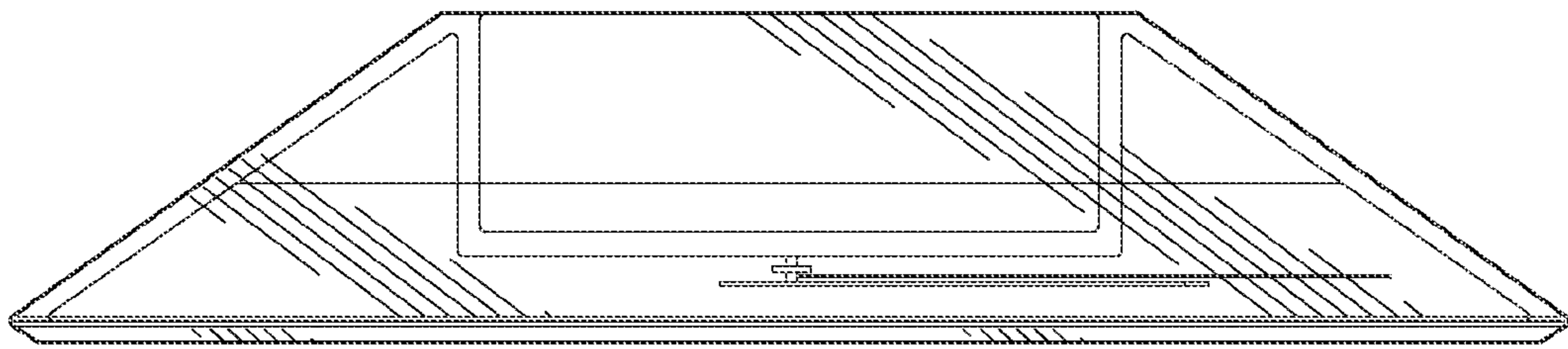


FIG. 4

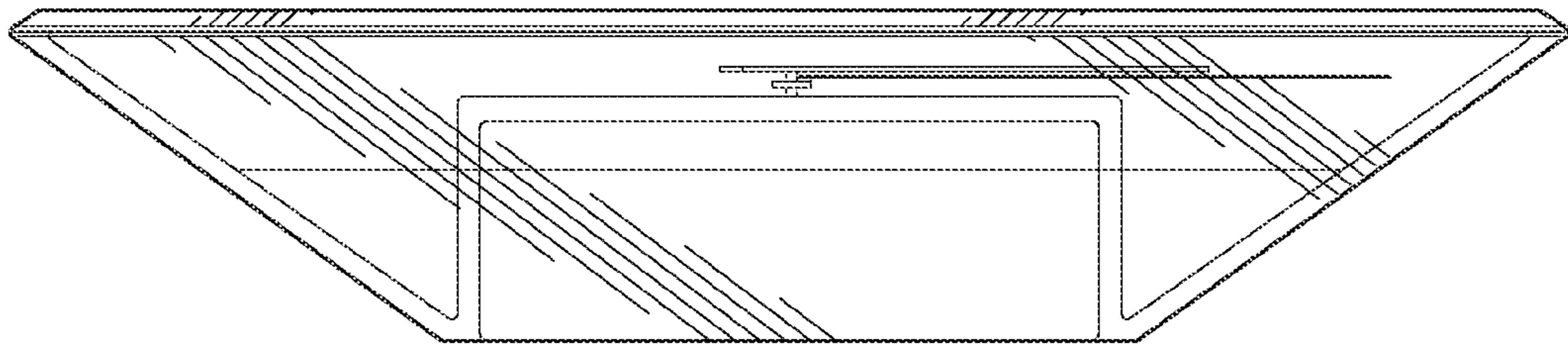


FIG. 5

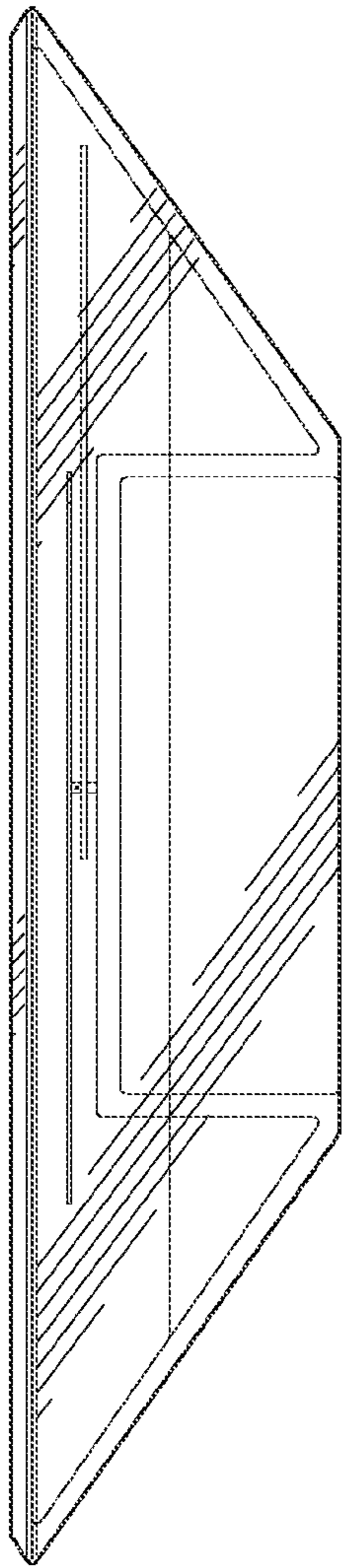


FIG. 6

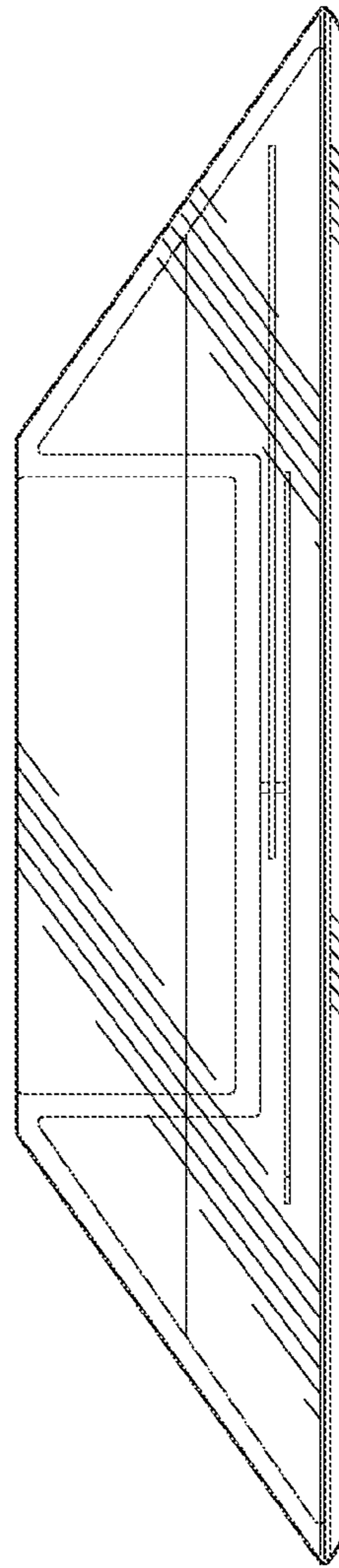


FIG. 7