

US00D636274S

(12) **United States Design Patent**
Hutchison

(10) **Patent No.:** **US D636,274 S**

(45) **Date of Patent:** **** *Apr. 19, 2011**

(54) **CONTAINER**

(75) **Inventor:** **Phillip Lacoï Hutchison**, Cincinnati, OH (US)

(73) **Assignee:** **The Procter & Gamble Company**, Cincinnati, OH (US)

(**) **Term:** **14 Years**

(21) **Appl. No.:** **29/329,805**

(22) **Filed:** **Dec. 22, 2008**

(51) **LOC (9) Cl.** **09-01**

(52) **U.S. Cl.** **D9/734**

(58) **Field of Classification Search** D9/414,
D9/420-425, 430, 432, 730, 734, 736; D6/512,
D6/515, 518, 523; 206/1.5, 494; 221/46,
221/63

See application file for complete search history.

(56) **References Cited**

U.S. PATENT DOCUMENTS

4,651,895	A	3/1987	Niske et al.	
D365,755	S *	1/1996	Kanfer et al.	D9/423
5,542,567	A *	8/1996	Julius	221/63
D414,637	S *	10/1999	Amundson et al.	D9/734
D442,081	S *	5/2001	Paul	D9/423
D454,015	S *	3/2002	Okin et al.	D9/734
D459,124	S *	6/2002	Le et al.	D9/734

D460,301	S *	7/2002	Milliorn	D9/734
D467,454	S *	12/2002	Le et al.	D9/734
D468,567	S	1/2003	Trevett et al.	
D479,419	S	9/2003	White et al.	
D479,420	S	9/2003	White et al.	
D485,461	S	1/2004	Sams et al.	
D545,097	S	6/2007	Schlaupitz et al.	

* cited by examiner

Primary Examiner — Shanda C Hill

(74) *Attorney, Agent, or Firm* — C. Brant Cook; Andrew A. Paul

(57) **CLAIM**

The ornamental design for a container, as shown and described.

DESCRIPTION

FIG. 1 is a perspective view of a container showing my new design;

FIG. 2 is a front view thereof;

FIG. 3 is a back view thereof;

FIG. 4 is a left side view thereof;

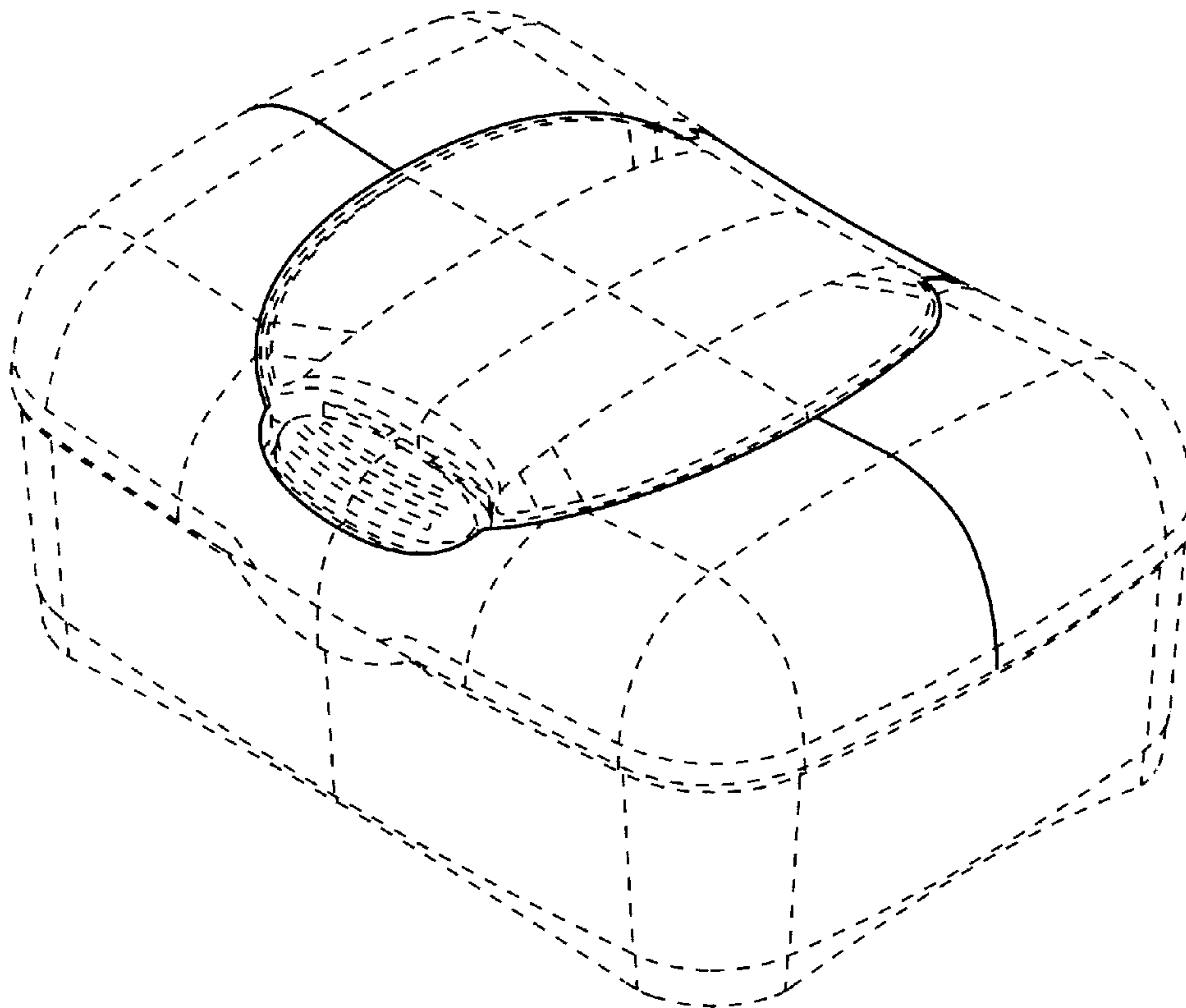
FIG. 5 is a right side view thereof;

FIG. 6 is a top plan view thereof; and,

FIG. 7 is a bottom plan view thereof.

The broken and contour lines depict environmental subject matter and form no part of the claimed design.

1 Claim, 7 Drawing Sheets



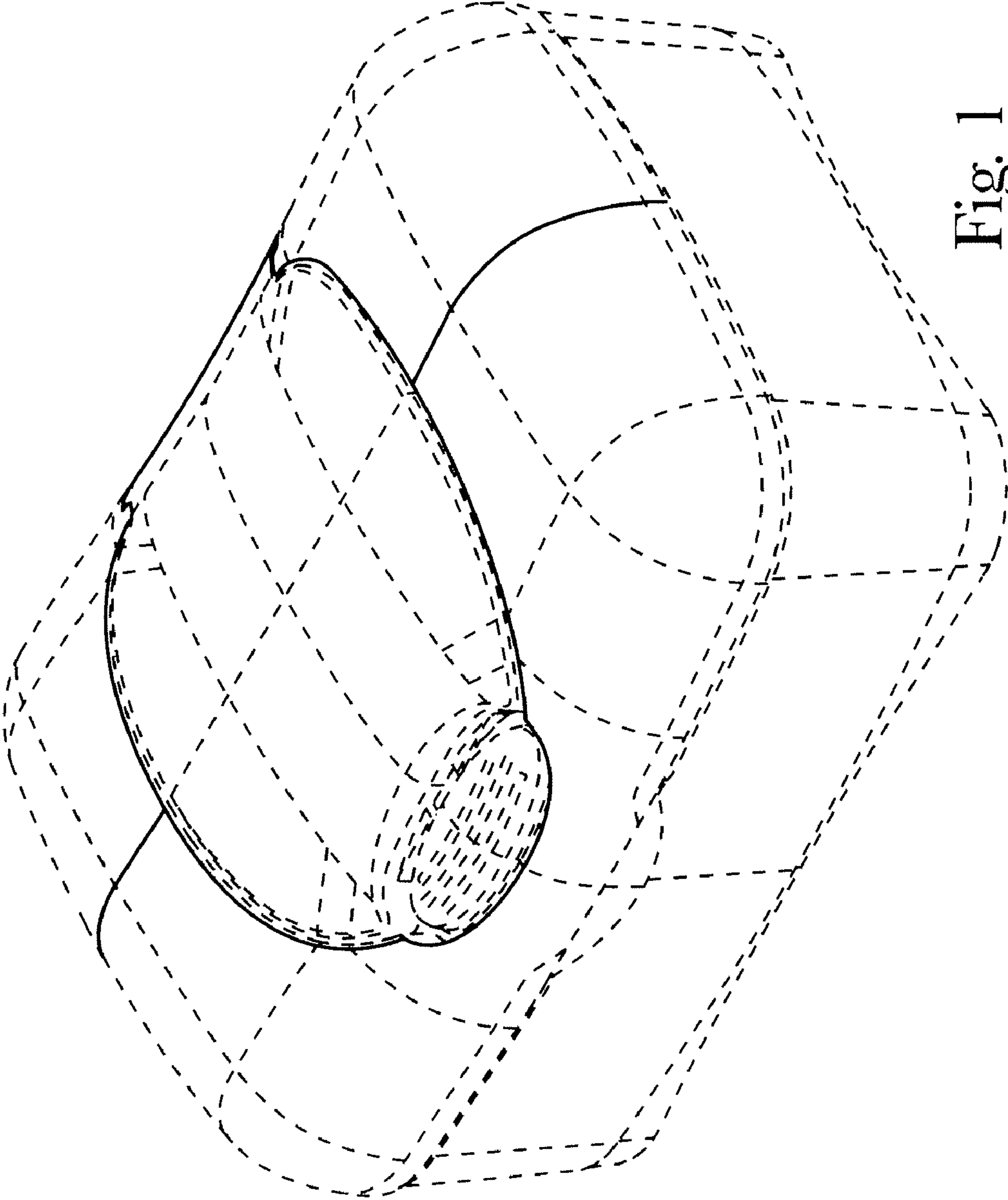


Fig. 1

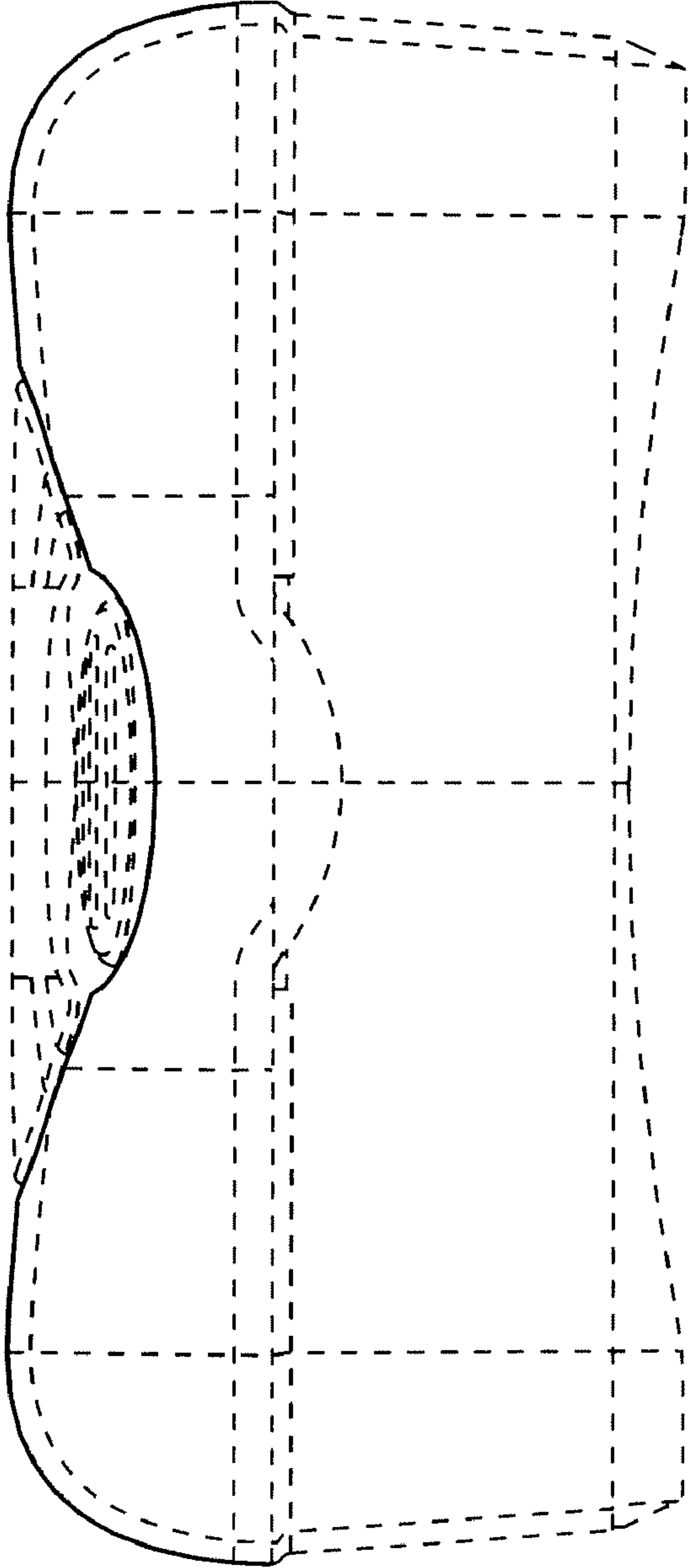


Fig. 2

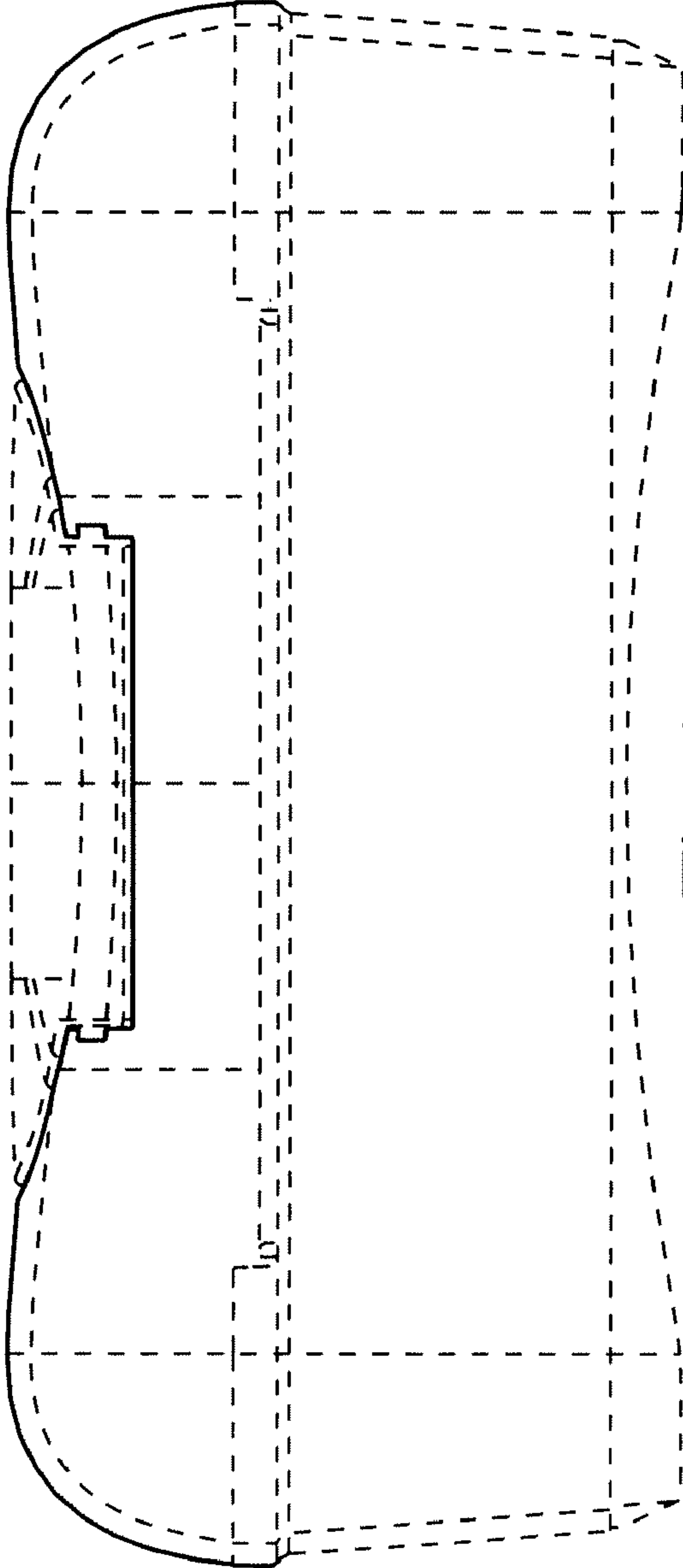


Fig. 3

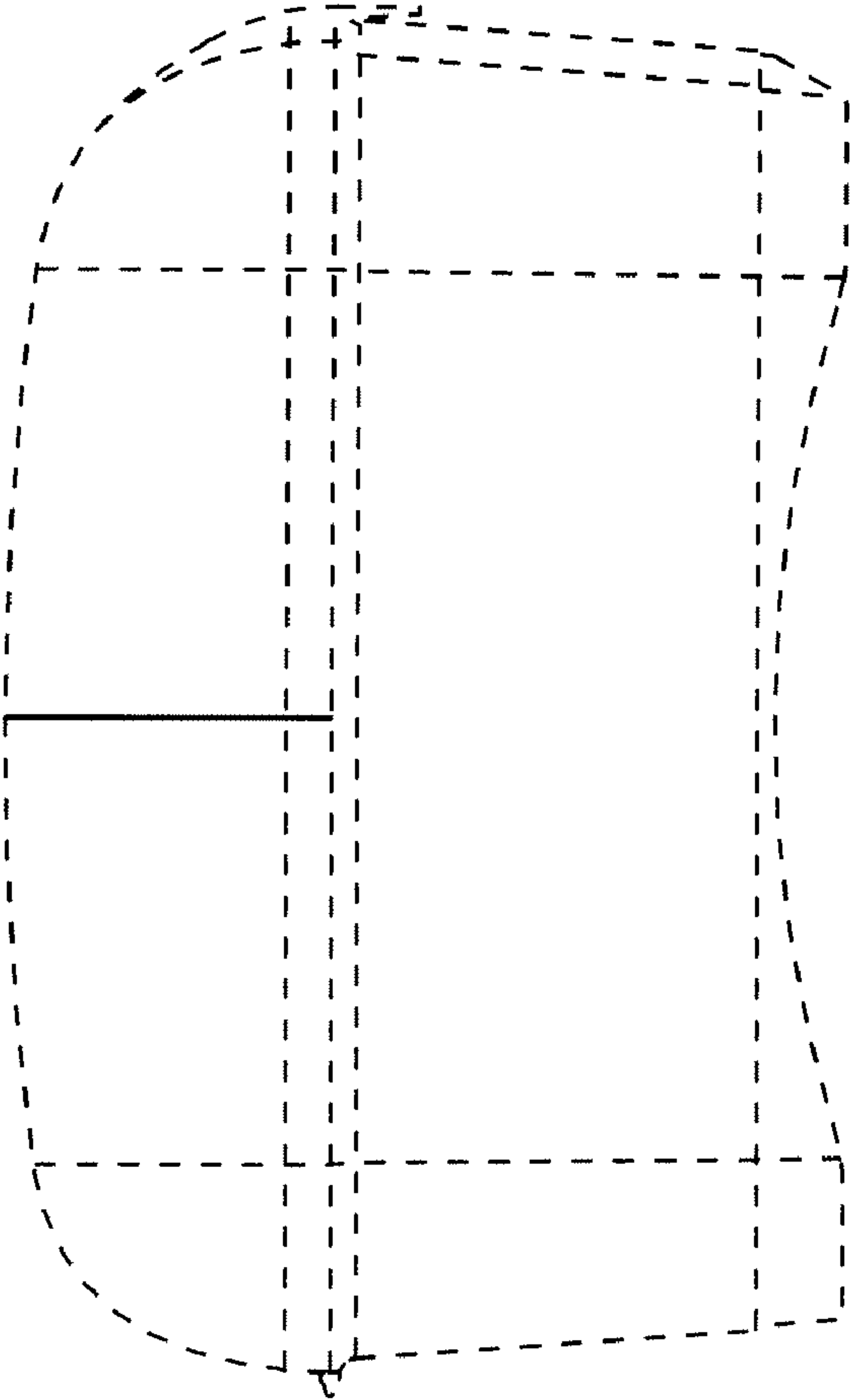


Fig. 4

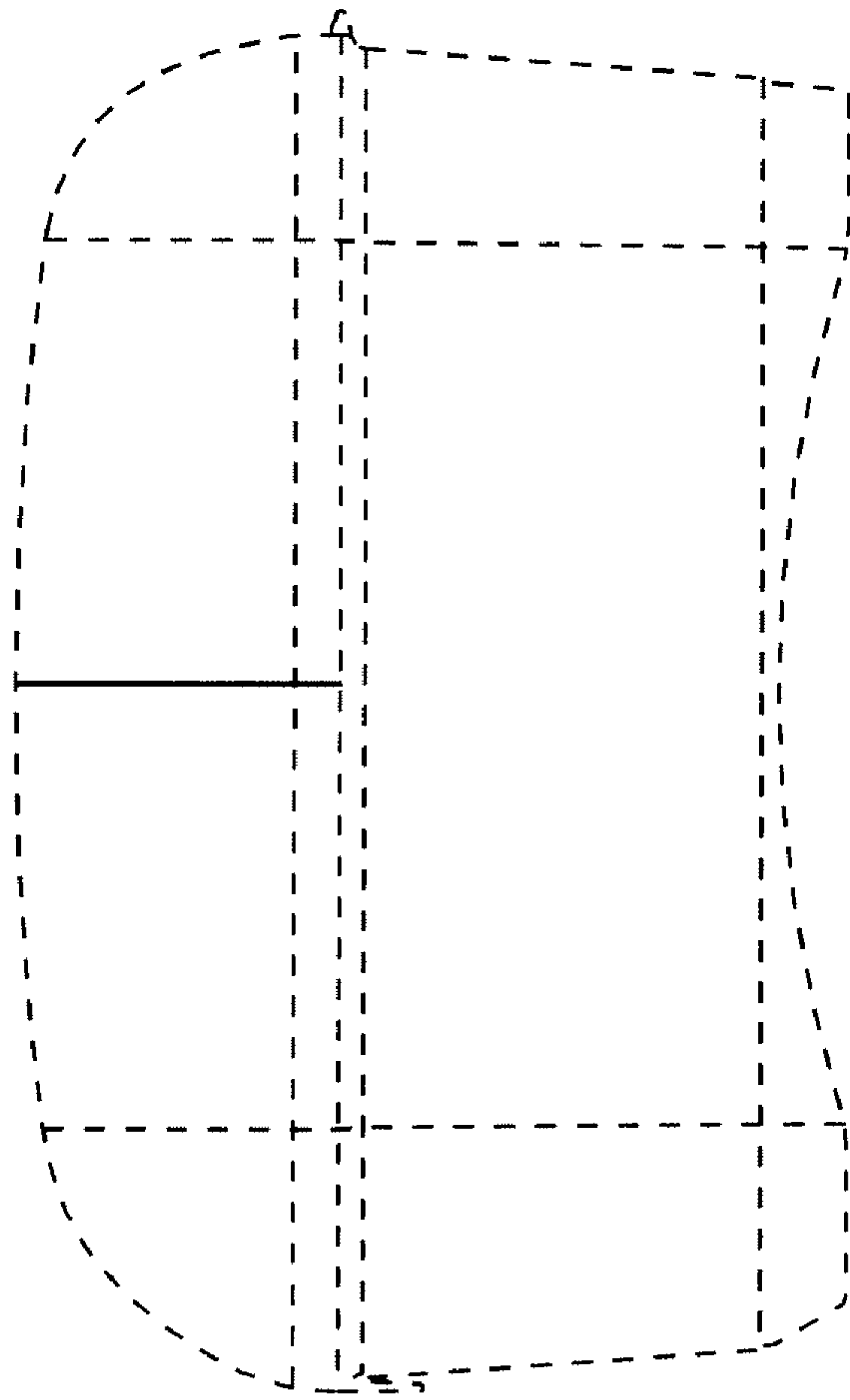


Fig. 5

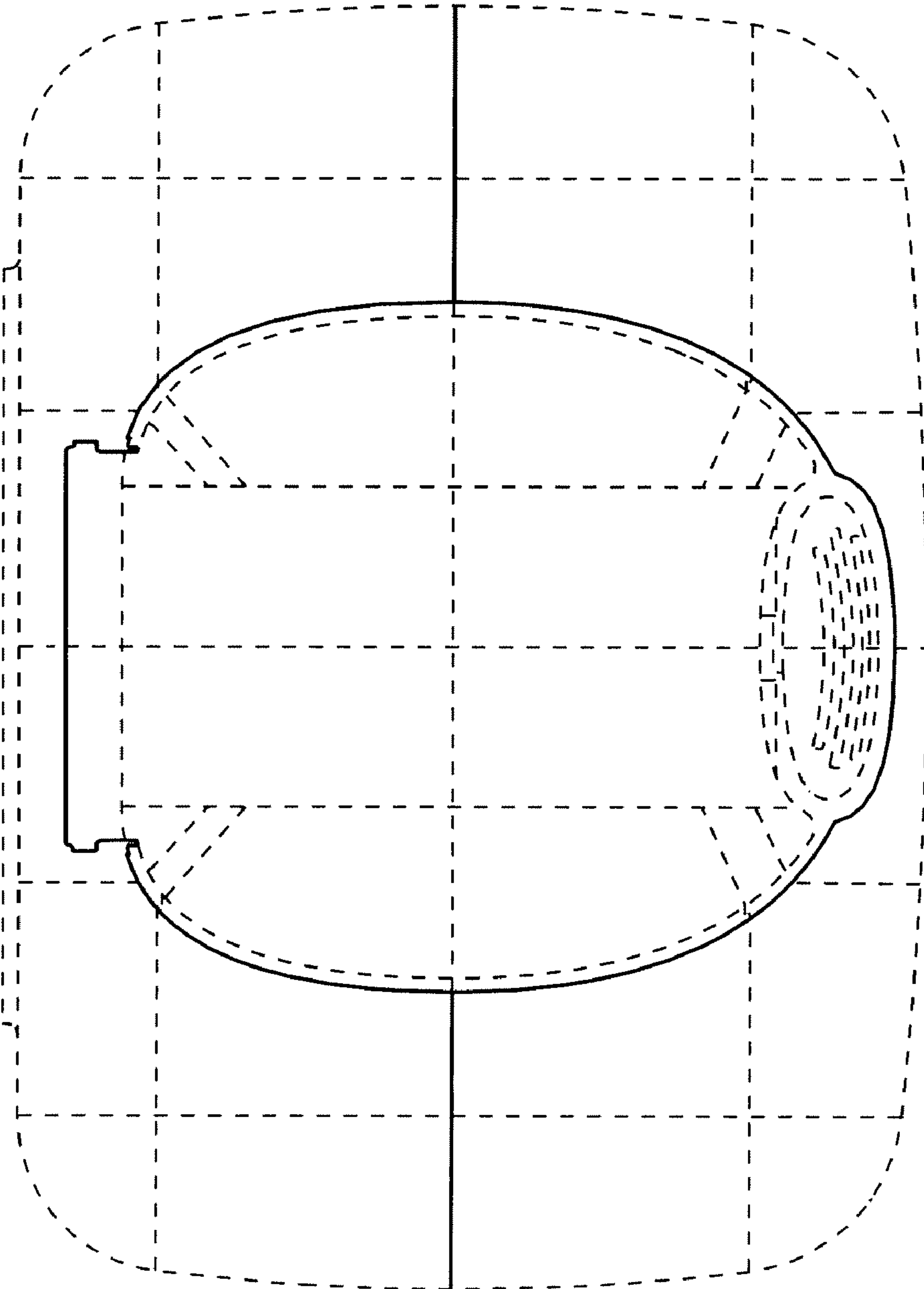


Fig. 6

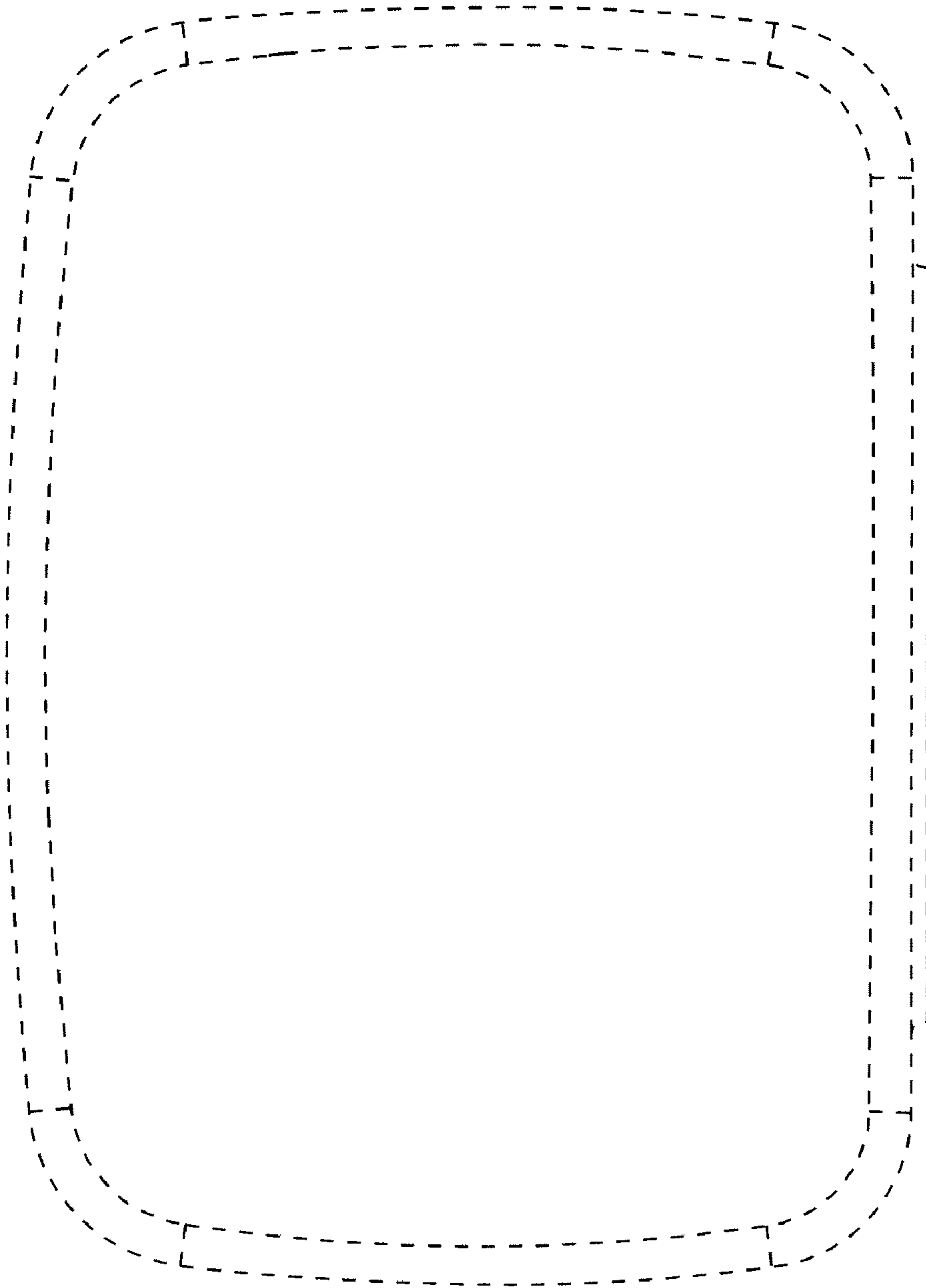


Fig. 7