



US00D636271S

(12) **United States Design Patent**
Kriesel

(10) **Patent No.:** **US D636,271 S**

(45) **Date of Patent:** **** Apr. 19, 2011**

(54) **CONTAINER**

(75) **Inventor:** **Joshua W. Kriesel**, San Francisco, CA
(US)

(73) **Assignee:** **BioQuiddity, Inc.**, San Francisco, CA
(US)

(**) **Term:** **14 Years**

(21) **Appl. No.:** **29/348,593**

(22) **Filed:** **Jan. 20, 2010**

(51) **LOC (9) Cl.** **09-01**

(52) **U.S. Cl.** **D9/683**

(58) **Field of Classification Search** D9/683,
D9/695-699, 719, 723-729, 763-783, 500-505,
D9/516-575, 435, 439, 442, 452, 454; 215/379,
215/381, 382, 370-373, 376, 378, 900; 220/602,
220/605, 606, 608, 609, 623, 624, 660, 666,
220/667, 669-673; 222/92-96, 105-107,
222/206, 209, 213, 215

See application file for complete search history.

(56) **References Cited**

U.S. PATENT DOCUMENTS

687,790	A *	12/1901	Scales	222/92
D58,091	S *	6/1921	Heisler	D7/300
D105,378	S *	7/1937	Guerlain	D9/502
2,129,119	A *	9/1938	Davis	222/105
D164,164	S *	8/1951	Gossman	D9/439
2,689,668	A *	9/1954	Hexel	222/131

2,738,107	A *	3/1956	Graham	222/215
2,780,378	A *	2/1957	Romano	215/11.1
3,143,429	A *	8/1964	Swanson et al.	426/117
3,172,577	A *	3/1965	Hartung	222/206
D241,009	S *	8/1976	Brady et al.	D9/683
4,645,098	A *	2/1987	Hoffmann	222/386
5,573,129	A *	11/1996	Nagata et al.	215/382
5,638,995	A *	6/1997	Mazda	222/215
D493,724	S *	8/2004	Higuchi	D9/683
6,840,164	B2 *	1/2005	Eastman	99/532
7,108,151	B2 *	9/2006	Higuchi	220/666
D570,705	S *	6/2008	Kanda	D9/683
2002/0023931	A1 *	2/2002	Higuchi	220/667
2007/0219502	A1	9/2007	Kriesel et al.		
2008/0027376	A1	1/2008	Kriesel et al.		

* cited by examiner

Primary Examiner — Catherine Tuttle

(74) *Attorney, Agent, or Firm* — James E. Brunton

(57) **CLAIM**

The ornamental design for a container, as shown and described.

DESCRIPTION

FIG. 1 is a perspective front view of a container showing my new design;

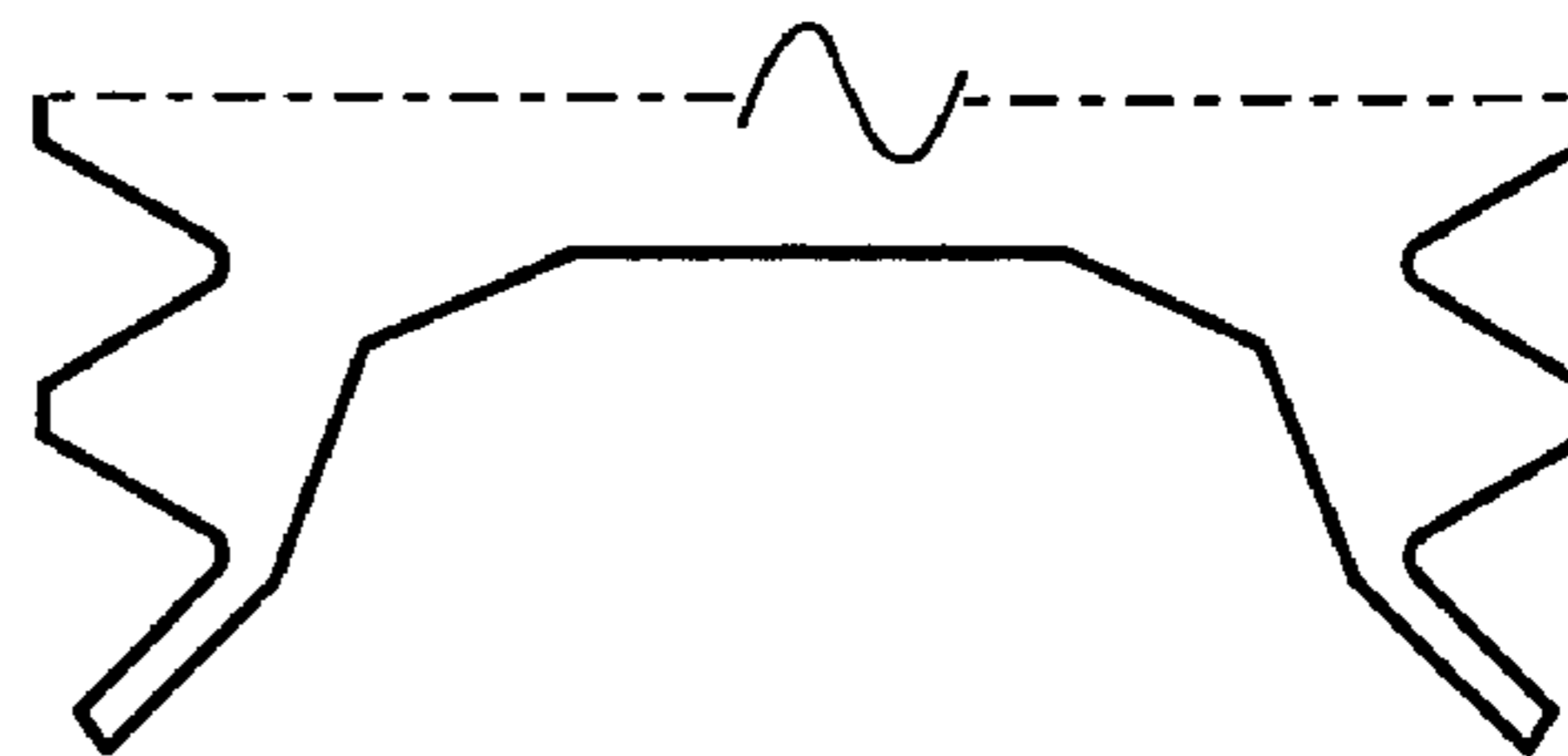
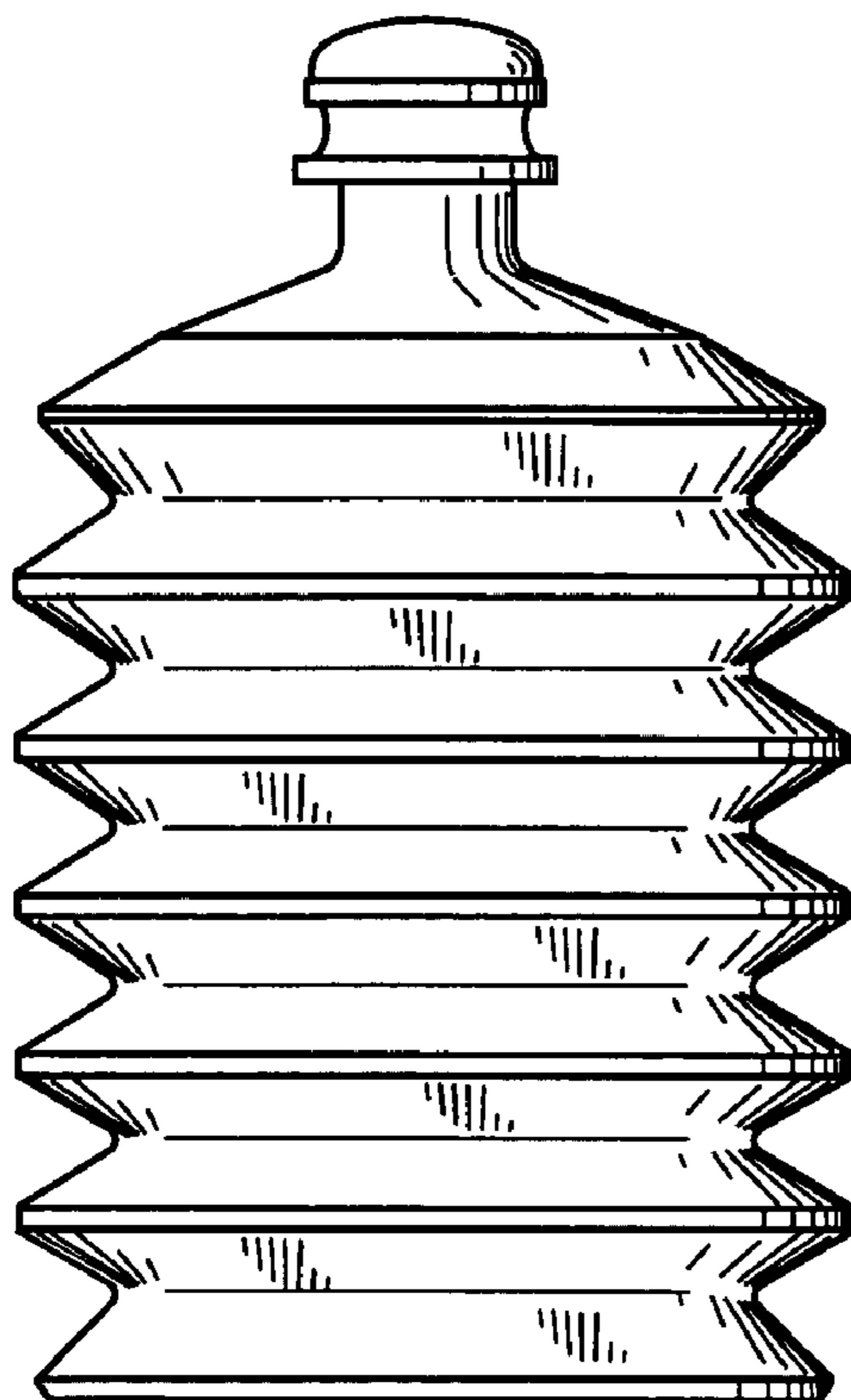
FIG. 2 is a front view thereof;

FIG. 3 is a top plan view thereof;

FIG. 4 is a bottom plan view thereof; and,

FIG. 5 is a view taken along line 5—5 of FIG. 4 showing the profile of the bottom end taken along a center plane.

1 Claim, 1 Drawing Sheet



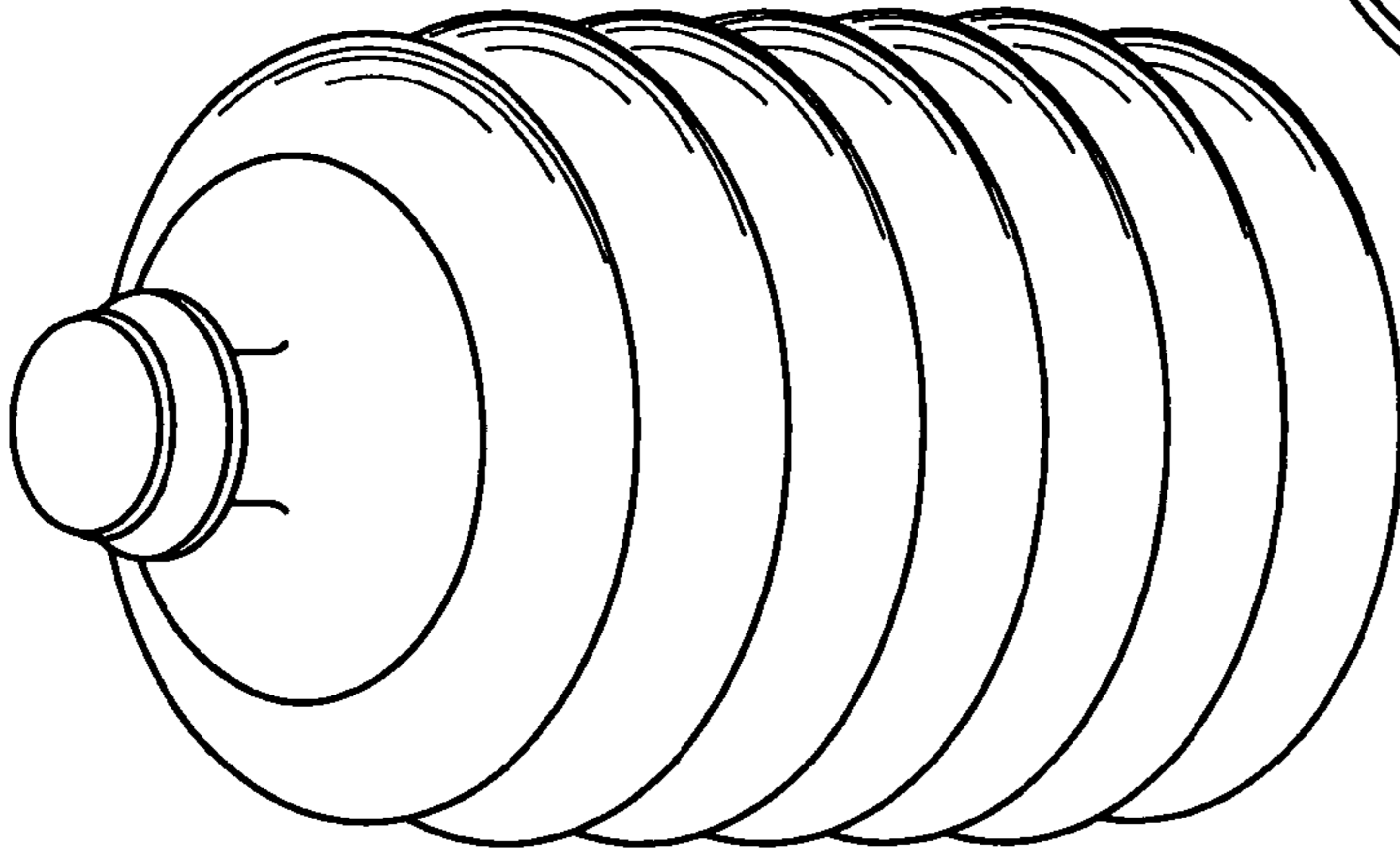


Fig. 1

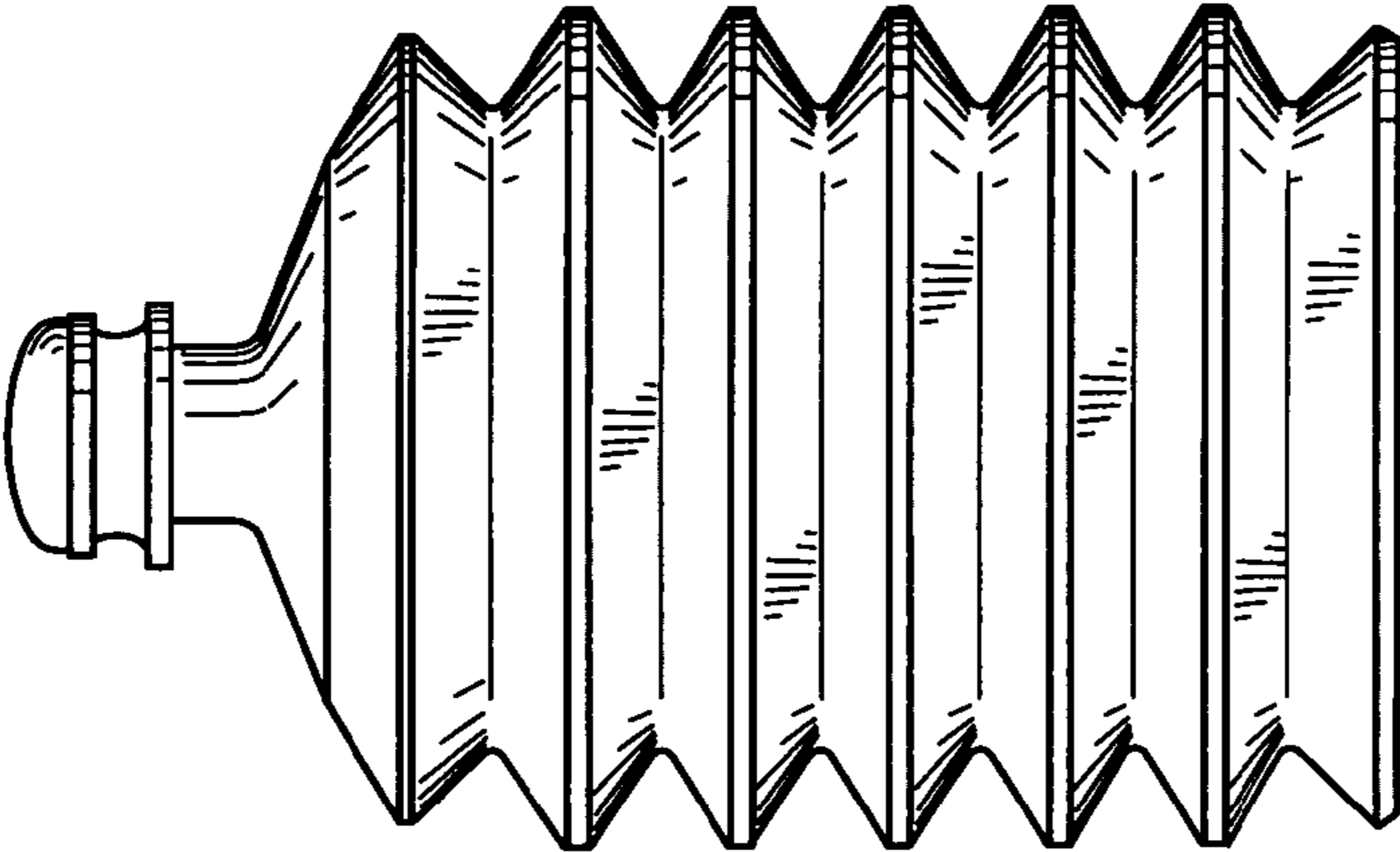


Fig. 2

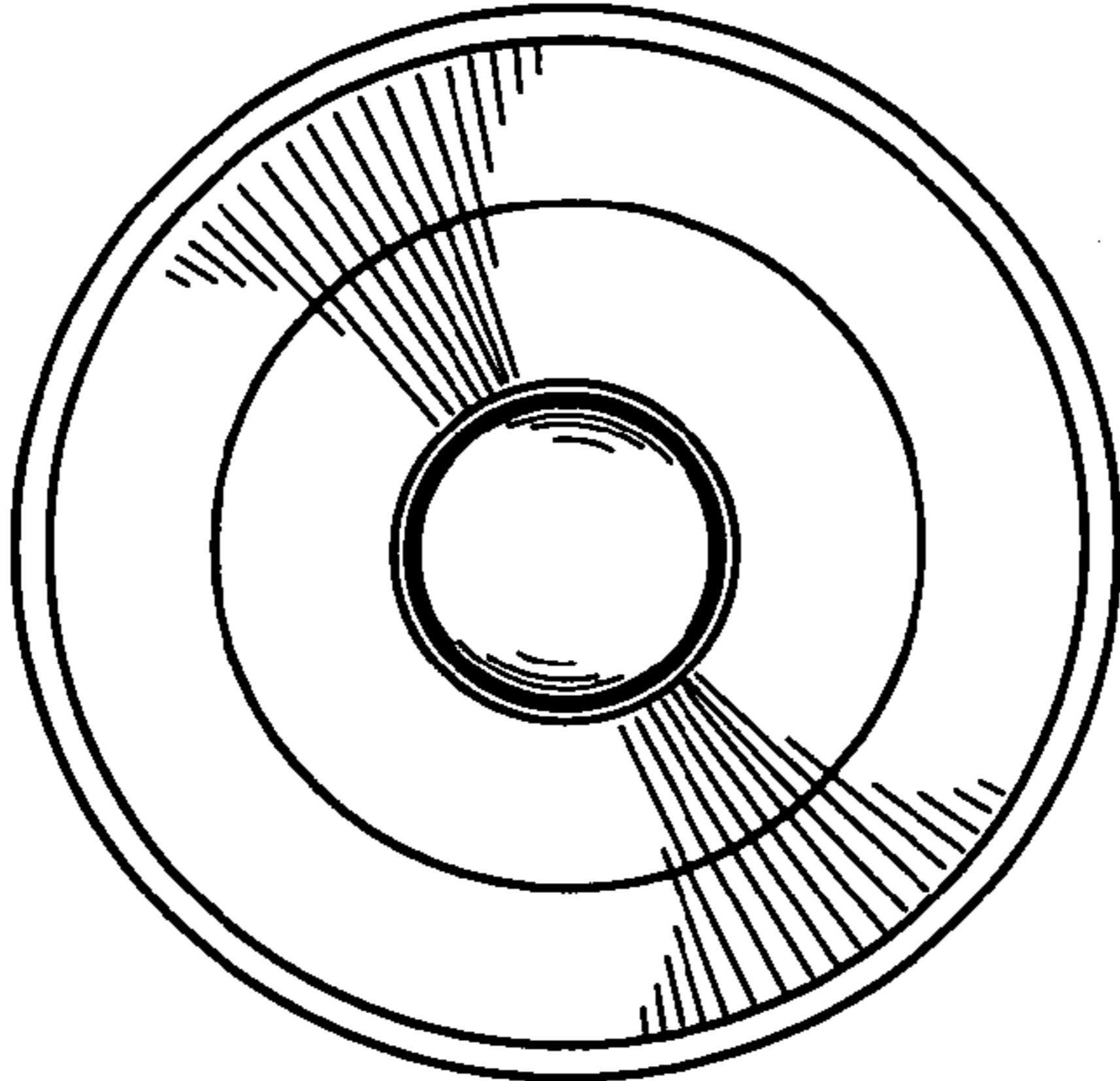


Fig. 3

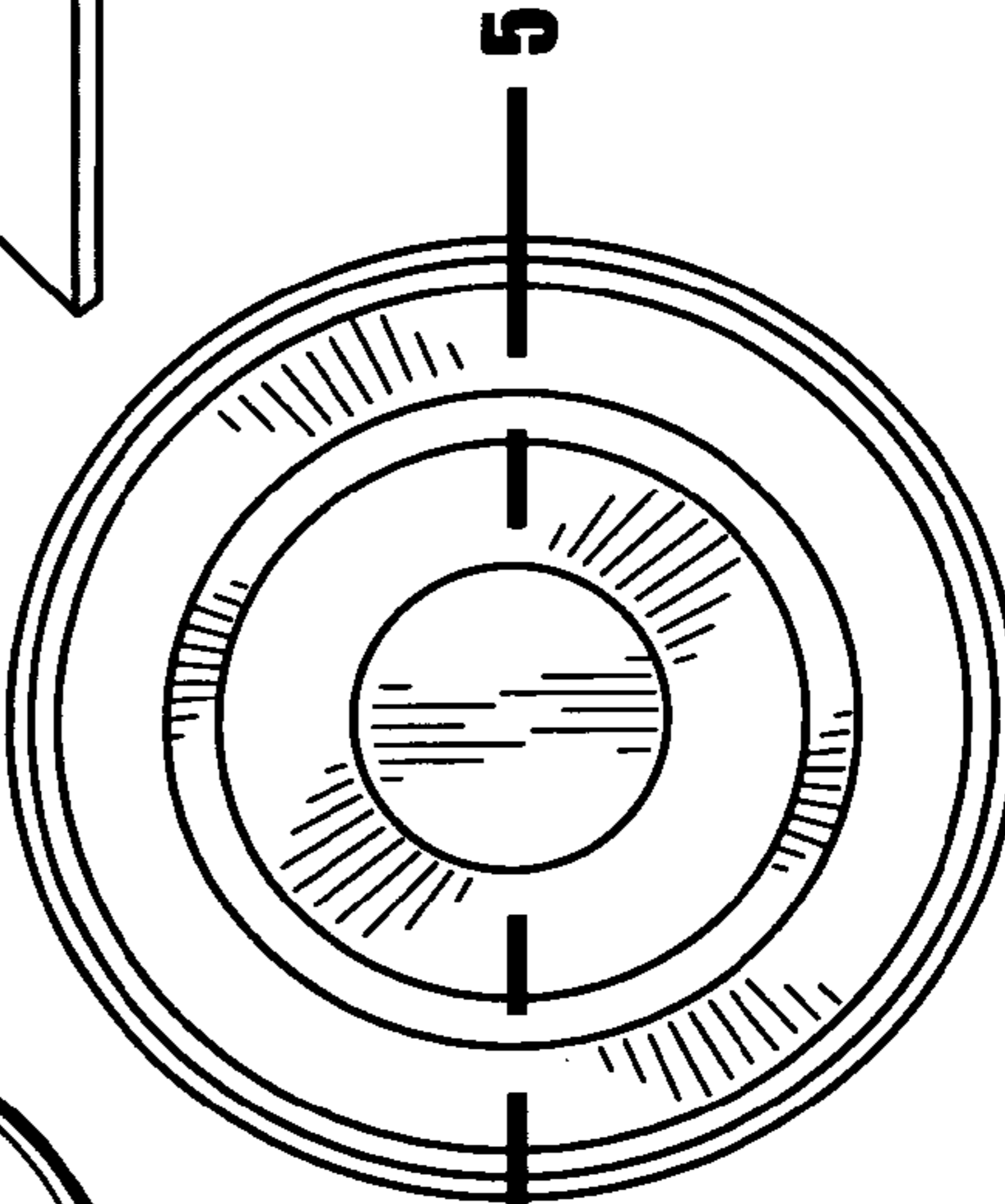


Fig. 4

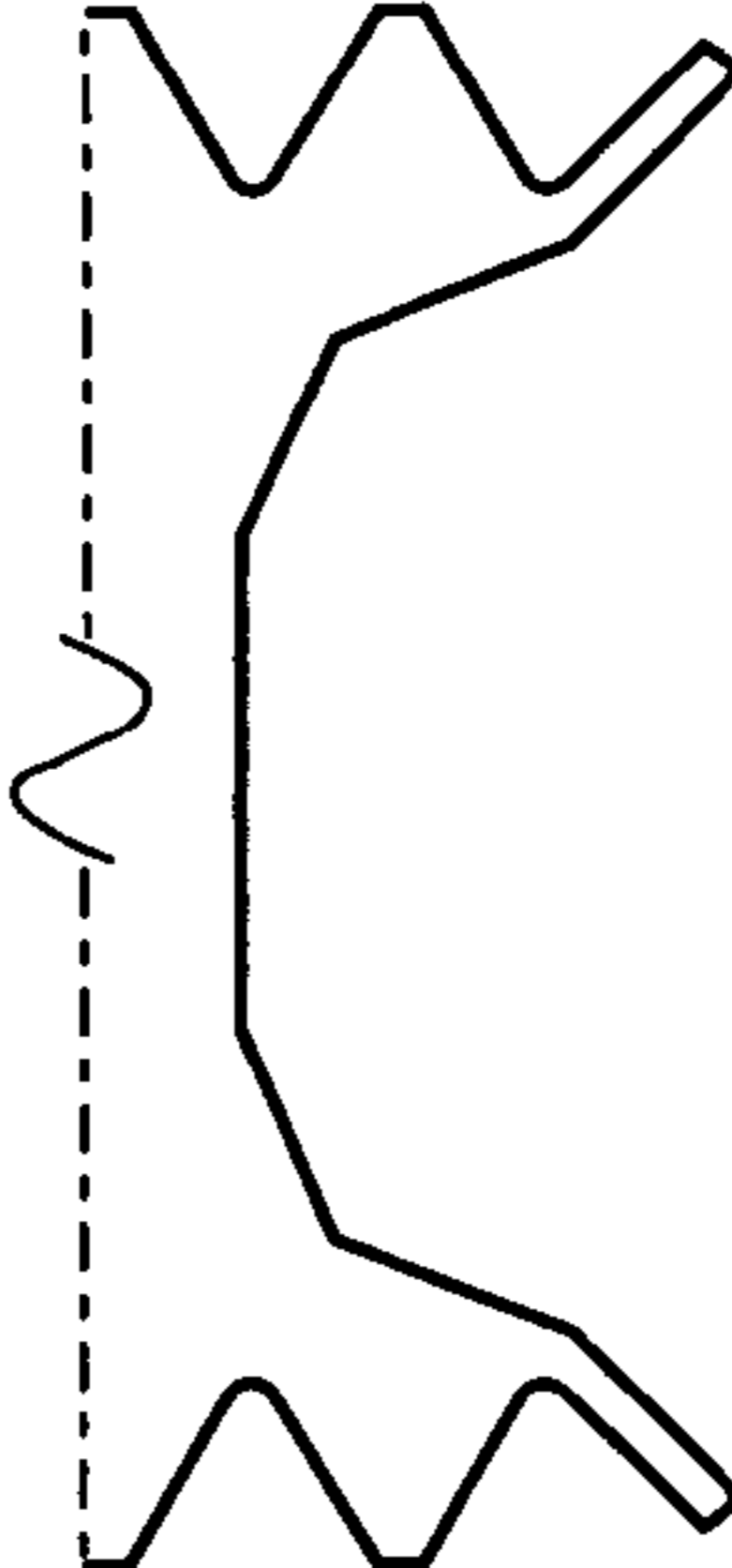


Fig. 5