



US00D636266S

(12) **United States Design Patent**
Walker et al.

(10) **Patent No.:** **US D636,266 S**
(45) **Date of Patent:** **** Apr. 19, 2011**

(54) **EXTENSION SPRAYER**

(75) Inventors: **Jeffrey Thomas Walker**, West
Bloomfield, MI (US); **Esther Marina**
Walker, West Bloomfield, MI (US)

(73) Assignee: **Esther Marina Walker**, West
Bloomfield, MI (US)

(**) Term: **14 Years**

(21) Appl. No.: **29/346,194**

(22) Filed: **Oct. 28, 2009**

5,307,959	A	5/1994	Bedore et al.	
D357,185	S *	4/1995	Gutrugianios	D9/455
D363,017	S *	10/1995	Noble	D8/395
5,806,669	A *	9/1998	Kim	206/228
6,016,938	A	1/2000	Eichorst	
6,029,862	A	2/2000	Jones	
6,173,870	B1	1/2001	Taylor	
6,789,705	B2	9/2004	Drew	
6,851,582	B2	2/2005	Meyer	
D505,306	S *	5/2005	Gaddy	D8/14.1
6,966,461	B2 *	11/2005	Warner et al.	222/174
7,252,210	B1 *	8/2007	Schultz et al.	222/174
D571,203	S *	6/2008	Khaladj et al.	D9/448
2003/0106257	A1	6/2003	Smith	
2006/0255067	A1	11/2006	Guissepe	
2007/0297855	A1	12/2007	Gerlach et al.	

Related U.S. Application Data

(63) Continuation of application No. 11/337,533, filed on
Jan. 24, 2006, now abandoned.

(51) **LOC (9) Cl.** **09-07**

(52) **U.S. Cl.** **D9/455**

(58) **Field of Classification Search** D9/454,
D9/449, 447, 443, 438, 435; D7/608, 510,
D7/396.2, 392.1; 229/906.1; 220/713, 712,
220/711, 270, 254.1-254.9

See application file for complete search history.

(56) **References Cited**

U.S. PATENT DOCUMENTS

2,720,422	A *	10/1955	Mercur	222/174
3,229,858	A	1/1966	Lesh	
3,229,859	A *	1/1966	Conroy et al.	222/174
3,262,607	A	7/1966	Hirsch	
3,659,791	A	5/1972	Clark	
3,716,195	A	2/1973	Silva	
3,734,357	A	5/1973	Batistelli et al.	
4,089,440	A	5/1978	Lee	
4,092,000	A	5/1978	Offutt, III	
4,579,258	A	4/1986	Brown	
4,660,745	A	4/1987	Hess, Jr.	
4,789,084	A	12/1988	Yoshitomi	
4,886,191	A	12/1989	Yoshitomi	
5,101,998	A	4/1992	Hwang	

FOREIGN PATENT DOCUMENTS

EP 0303127 2/1989

OTHER PUBLICATIONS

<http://web.archive.org/web/20071114060526/http://sprayclosesprayextender.com>, Spray Close Spray Extender web page from Nov. 14, 2007.*
<http://www.sprayclosesprayextender.com/>, Spray Close Spray Extender web page from Jan. 14, 2010.*

* cited by examiner

Primary Examiner — Susan Bennett Hattan

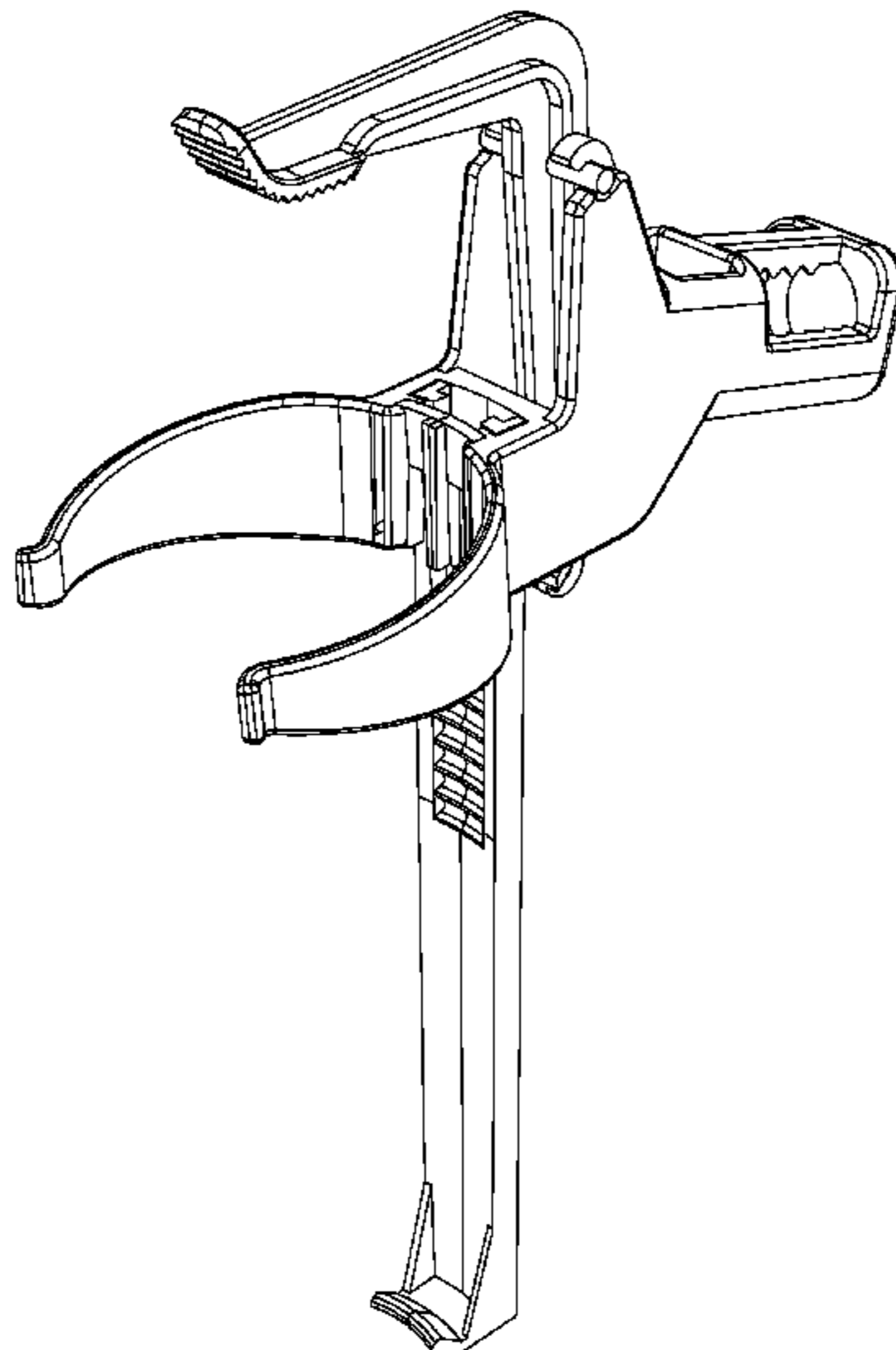
(57) **CLAIM**

The ornamental design for a extension sprayer, as shown and described.

DESCRIPTION

FIG. 1 is a perspective view of a extension sprayer, showing our new design from the top, left side and front; FIG. 2 is a perspective view thereof, from the top, left side and rear; and, FIG. 3 is a perspective view thereof, from the bottom, left side and front.

1 Claim, 3 Drawing Sheets



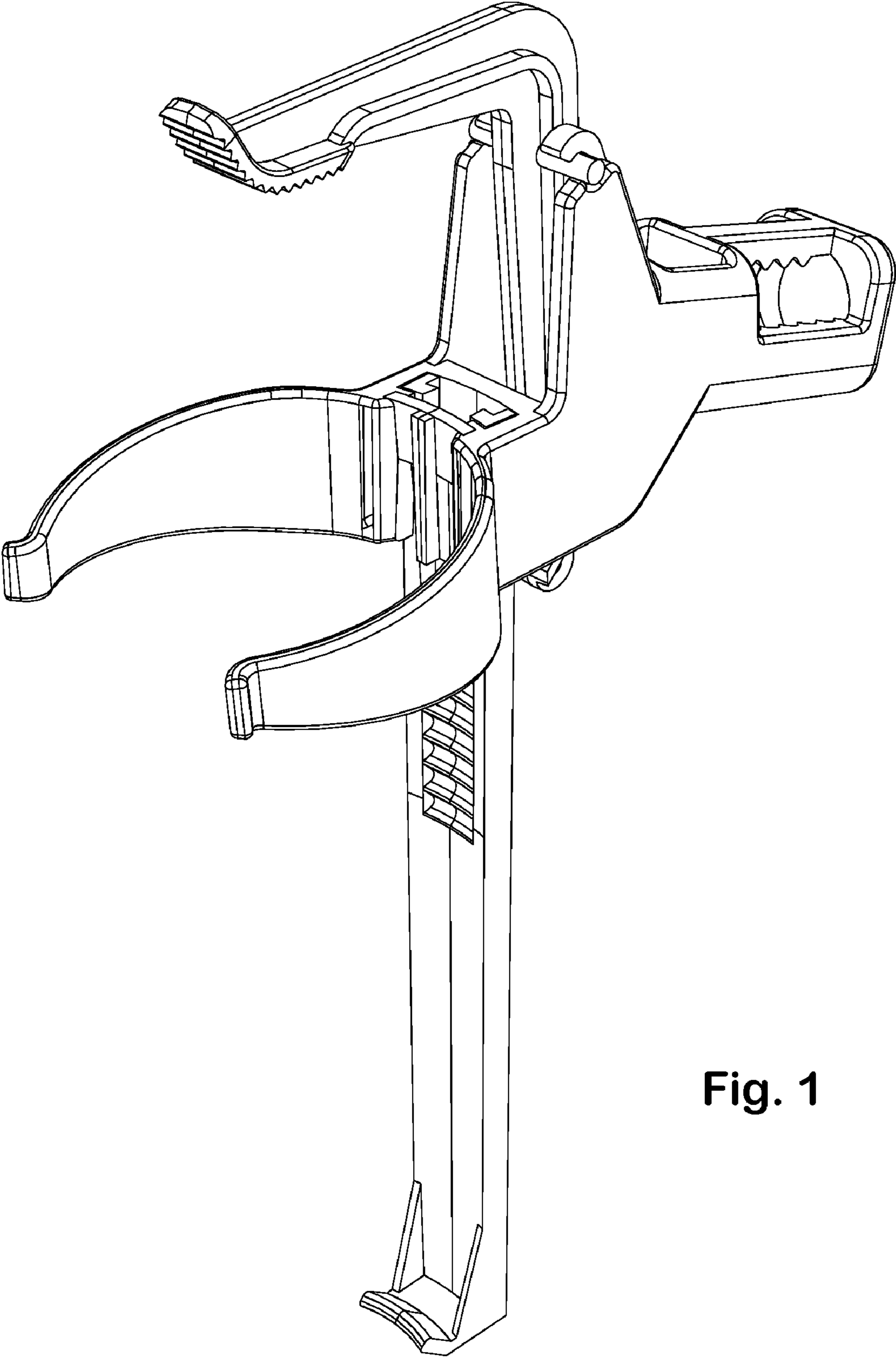


Fig. 1

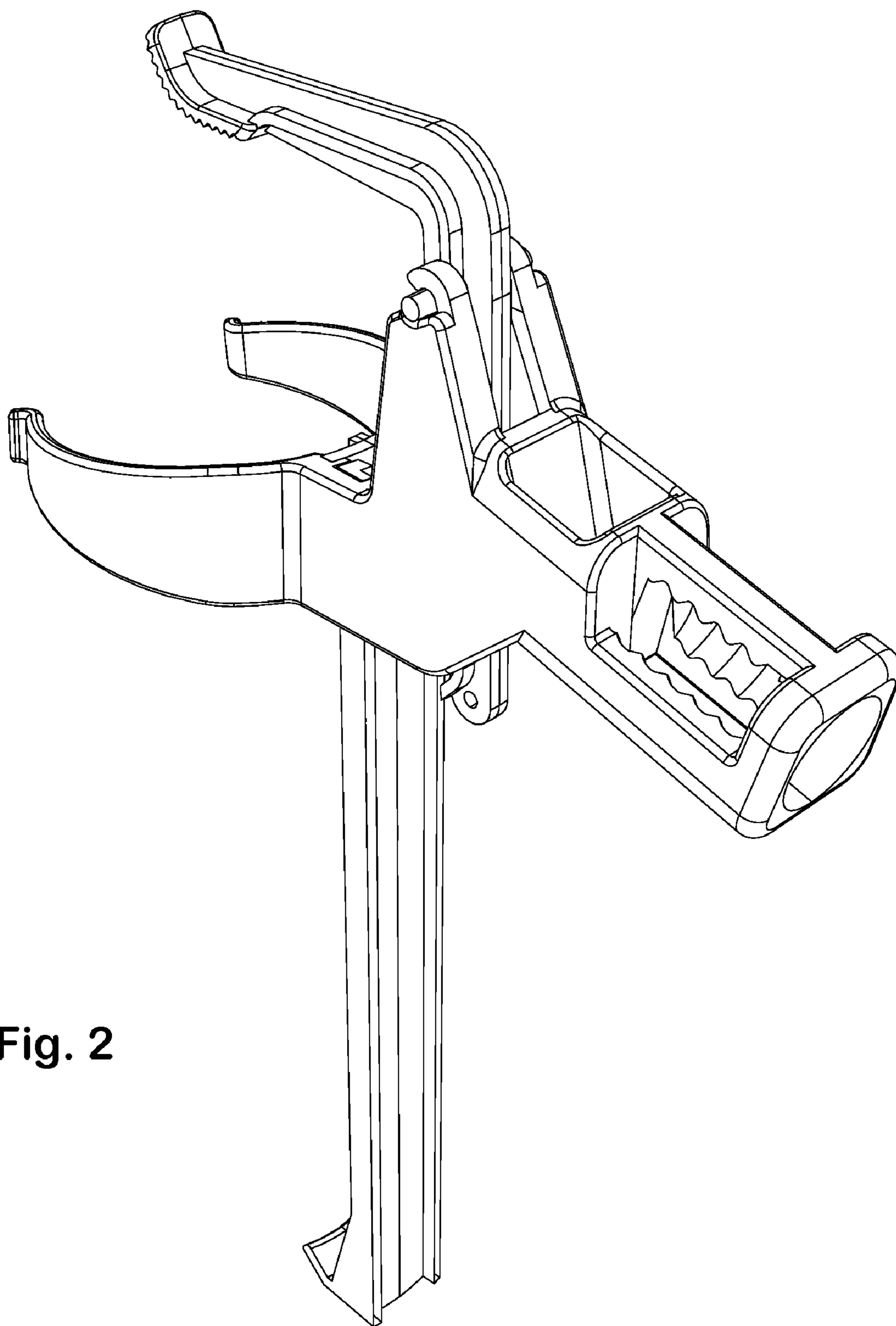


Fig. 2

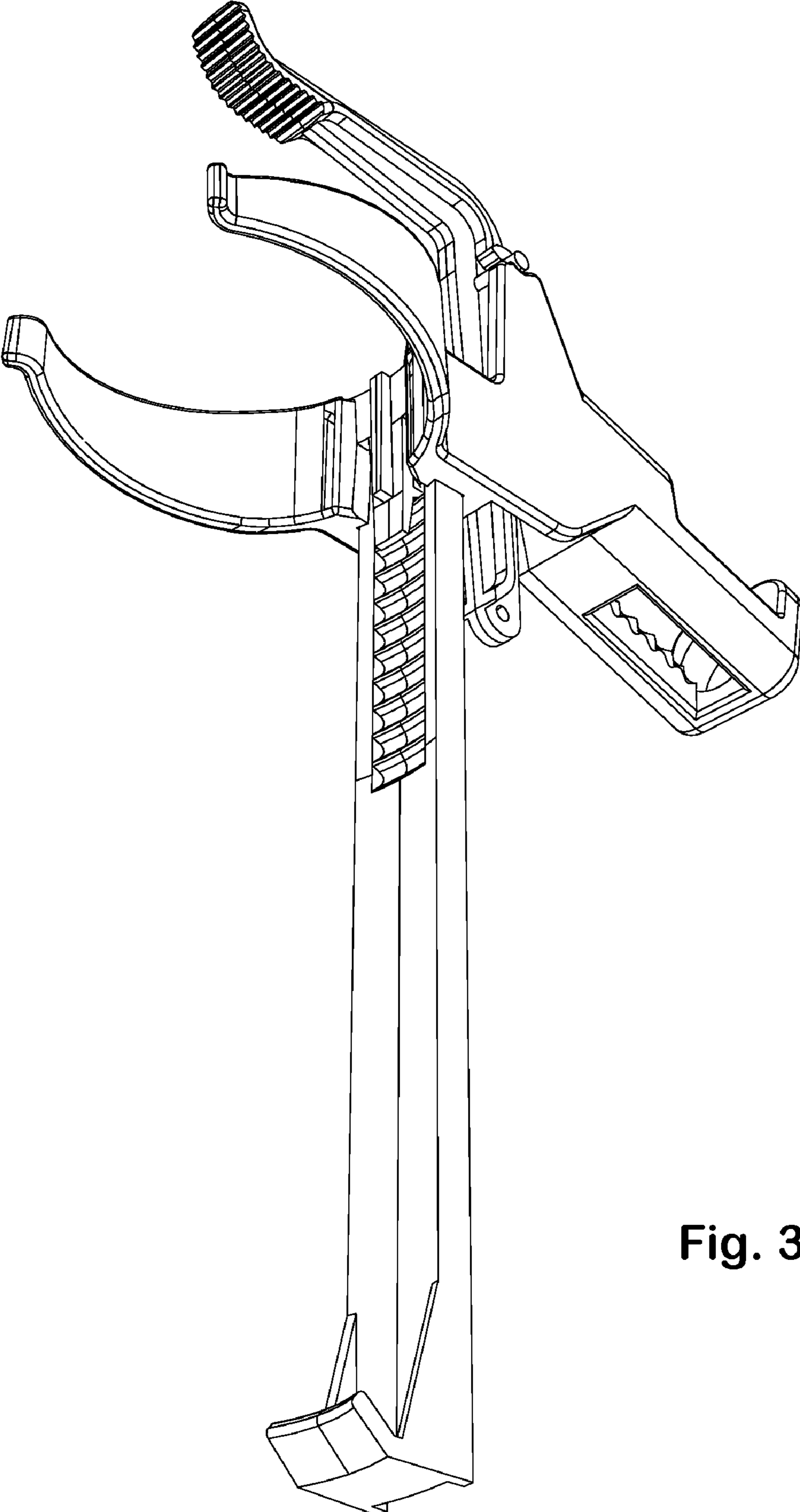


Fig. 3