

US00D636264S

(12) **United States Design Patent**  
Wassum et al.

(10) **Patent No.:** US D636,264 S

(45) **Date of Patent:** \*\* Apr. 19, 2011

(54) **POURING SPOUT**

(75) Inventors: **Markus Wassum**, Gottmadingen (DE);  
**Hansjörg Huber**, Radolfzell (DE)

(73) Assignee: **SIG Technology AG**, Neuhausen am  
Rheinfall (CH)

(\*\*) Term: **14 Years**

(21) Appl. No.: **29/350,757**

(22) Filed: **Nov. 23, 2009**

(30) **Foreign Application Priority Data**

Jun. 16, 2009 (DE) ..... 40 2009 002 883

(51) **LOC (9) Cl.** ..... **09-07**

(52) **U.S. Cl.** ..... **D9/453**

(58) **Field of Classification Search** ..... D9/761,  
D9/759, 756, 708, 709, 702, 456, 455, 454,  
D9/453, 445, 443, 436, 435, 434, 439; 53/412;  
248/146; 229/120; 222/109; 220/4.23; 219/439;  
215/305; 206/392.6, 392.1, 692; D7/304,  
D7/295

See application file for complete search history.

(56) **References Cited**

U.S. PATENT DOCUMENTS

D351,793 S *	10/1994	Stoller .....	D9/443
5,431,305 A *	7/1995	Kaminski .....	222/109
5,941,404 A *	8/1999	Charrette .....	D9/443
D621,706 S *	8/2010	Breckan .....	D9/443
D621,707 S *	8/2010	Breckan .....	D9/443

\* cited by examiner

*Primary Examiner* — Susan Bennett Hattan

(74) *Attorney, Agent, or Firm* — The Webb Law Firm

(57) **CLAIM**

The ornamental design for a pouring spout, as shown and described.

**DESCRIPTION**

FIG. 1 is perspective view of a pouring spout, in accordance with the present design;

FIG. 2 is a top view of the pouring spout shown in FIG. 1;

FIG. 3 is a rear view of the pouring spout shown in FIG. 1;

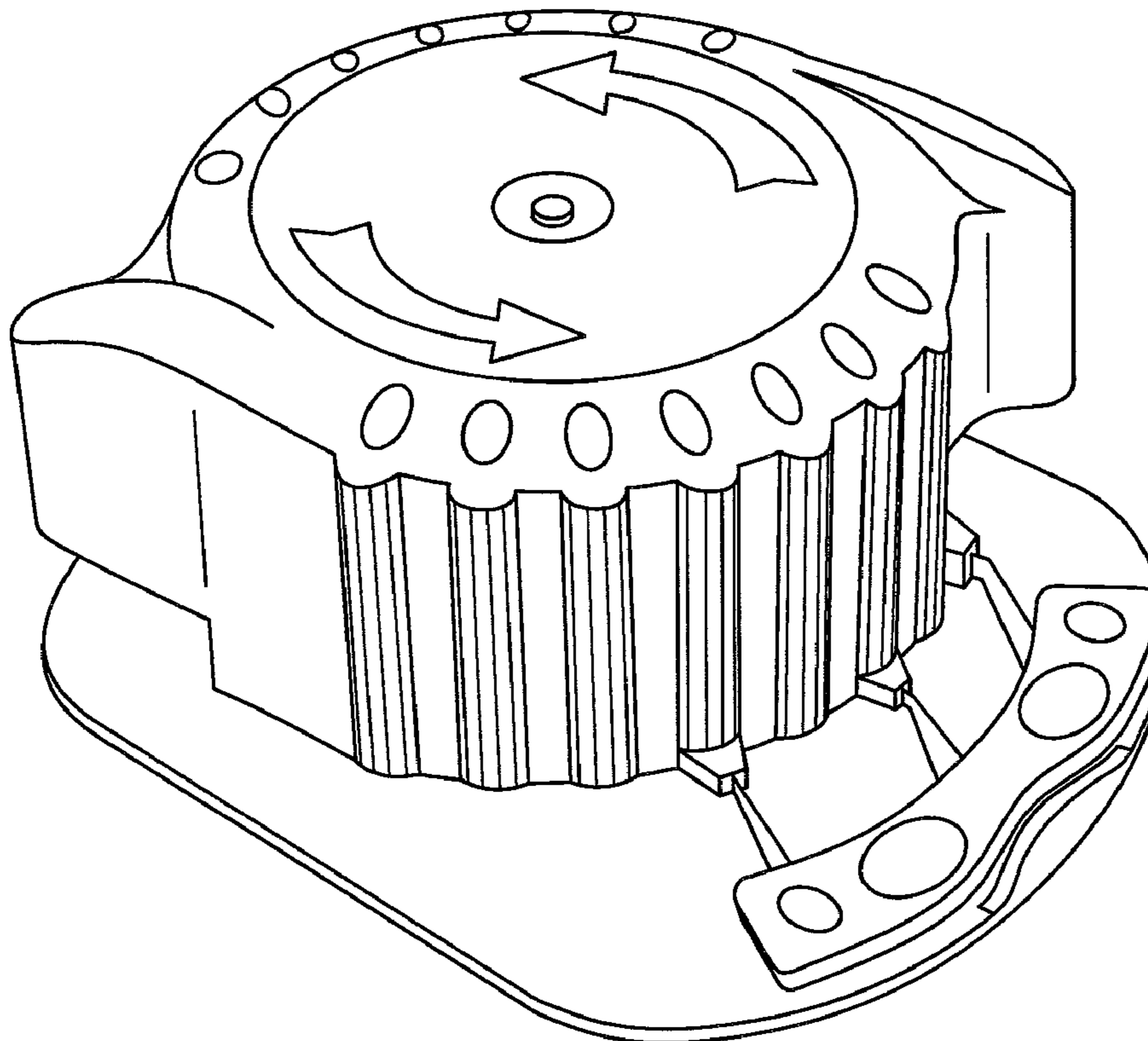
FIG. 4 is a front view of the pouring spout shown in FIG. 1;

FIG. 5 is a right side view of the pouring spout shown in FIG. 1; and,

FIG. 6 is a left side view of the pouring spout shown in FIG. 1;

The bottom or underside of the pouring spout, which is not depicted in the figures, forms no part of the claimed design.

**1 Claim, 6 Drawing Sheets**



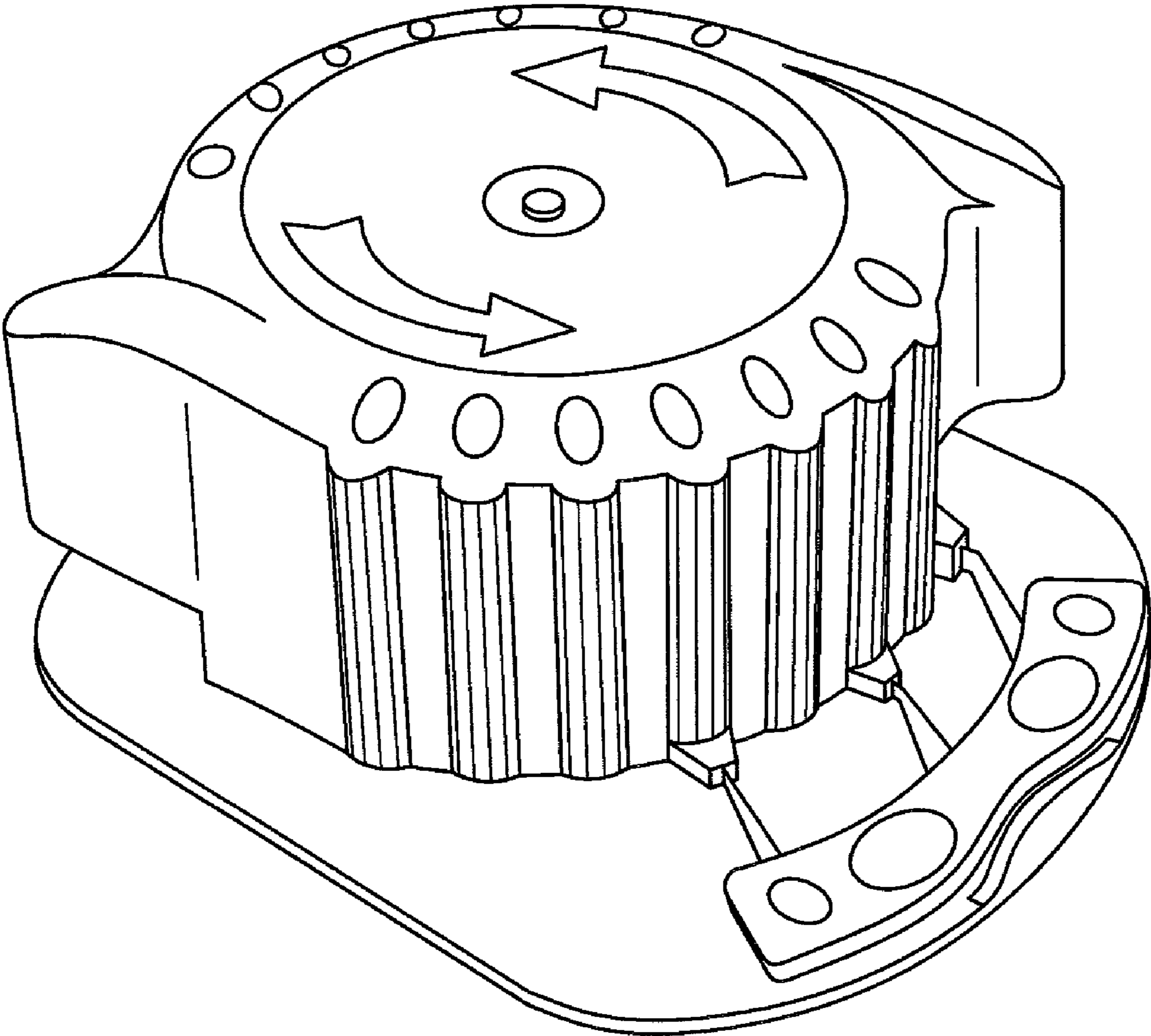


Fig. 1

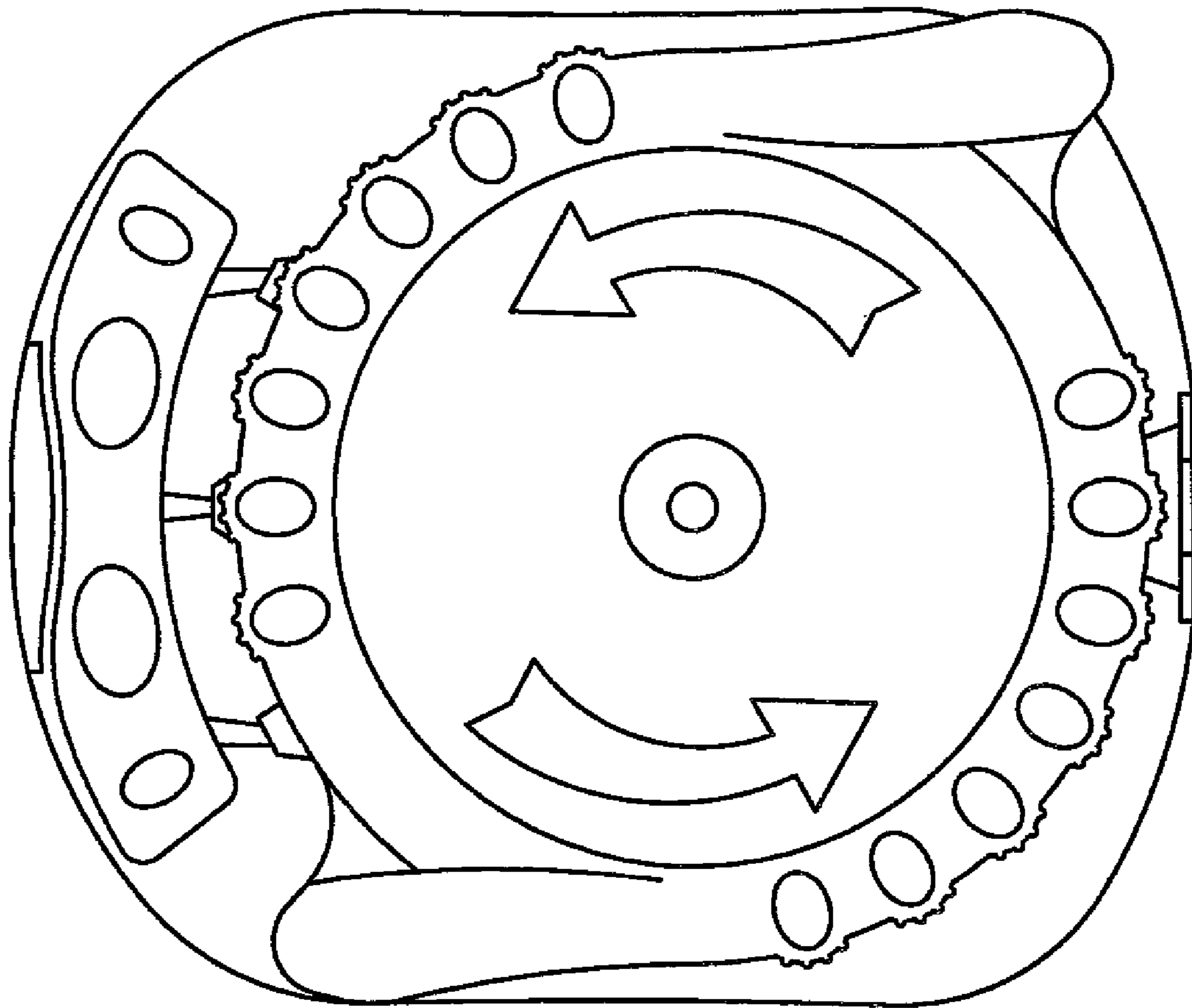


Fig. 2

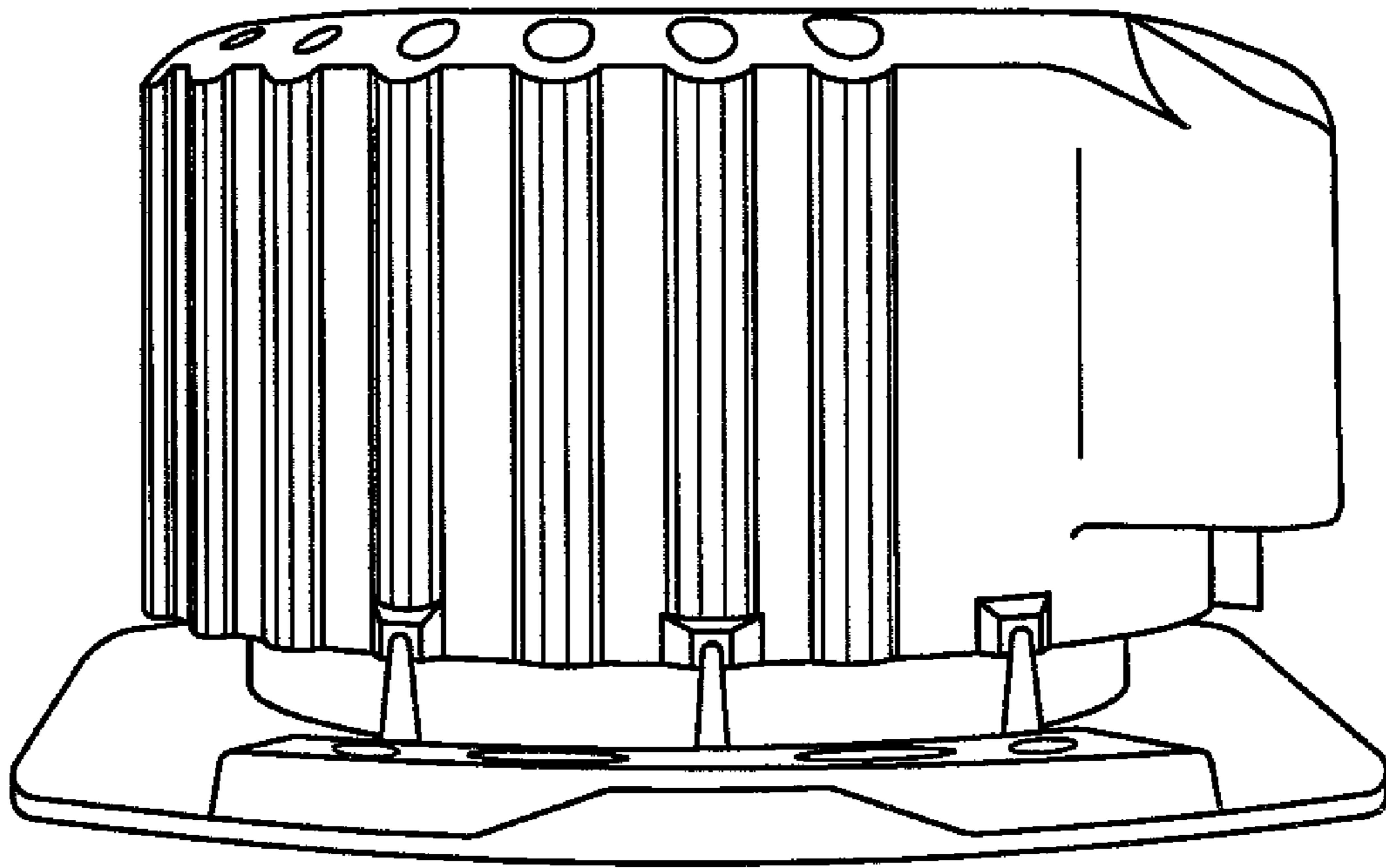


Fig. 3

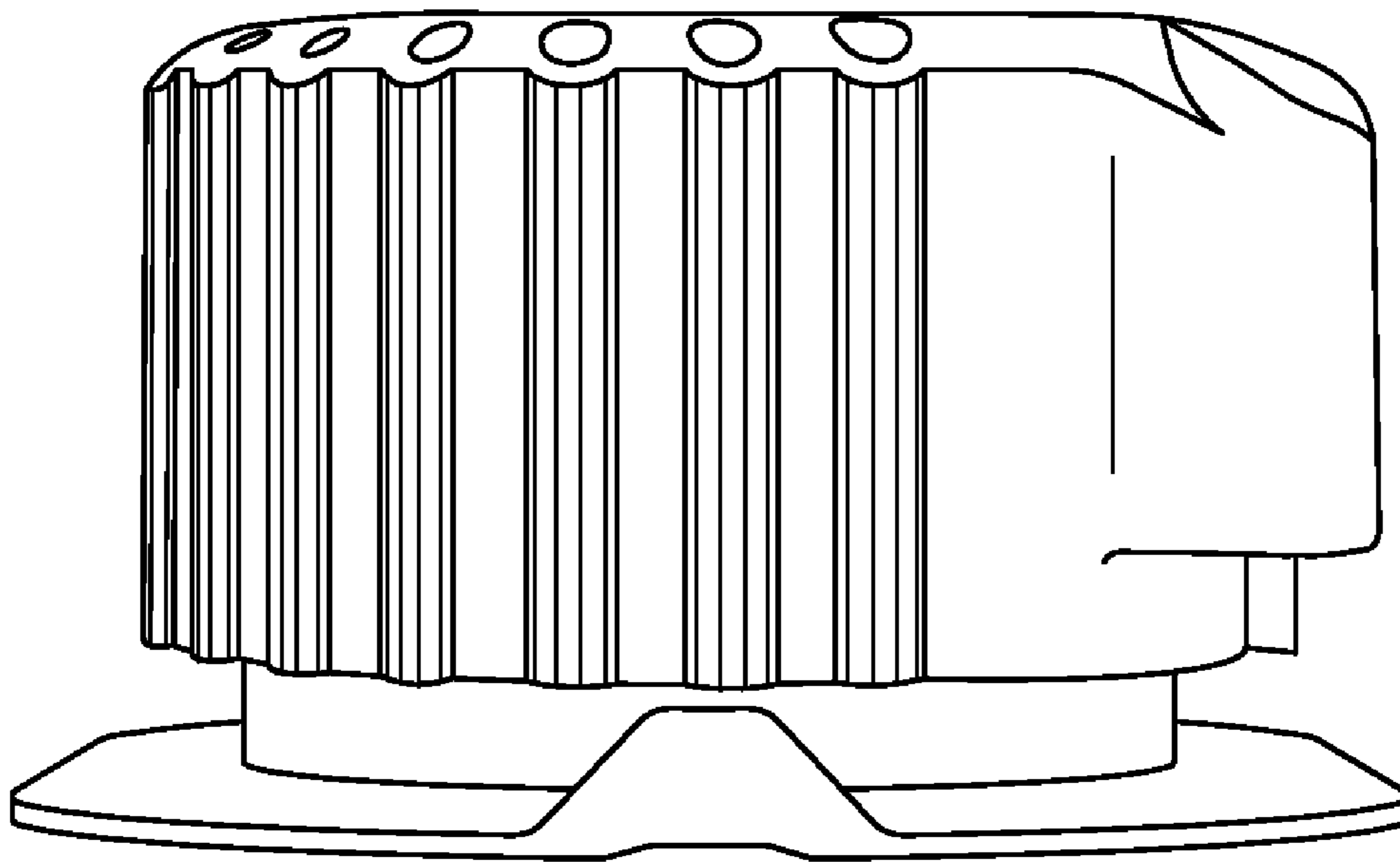


Fig. 4

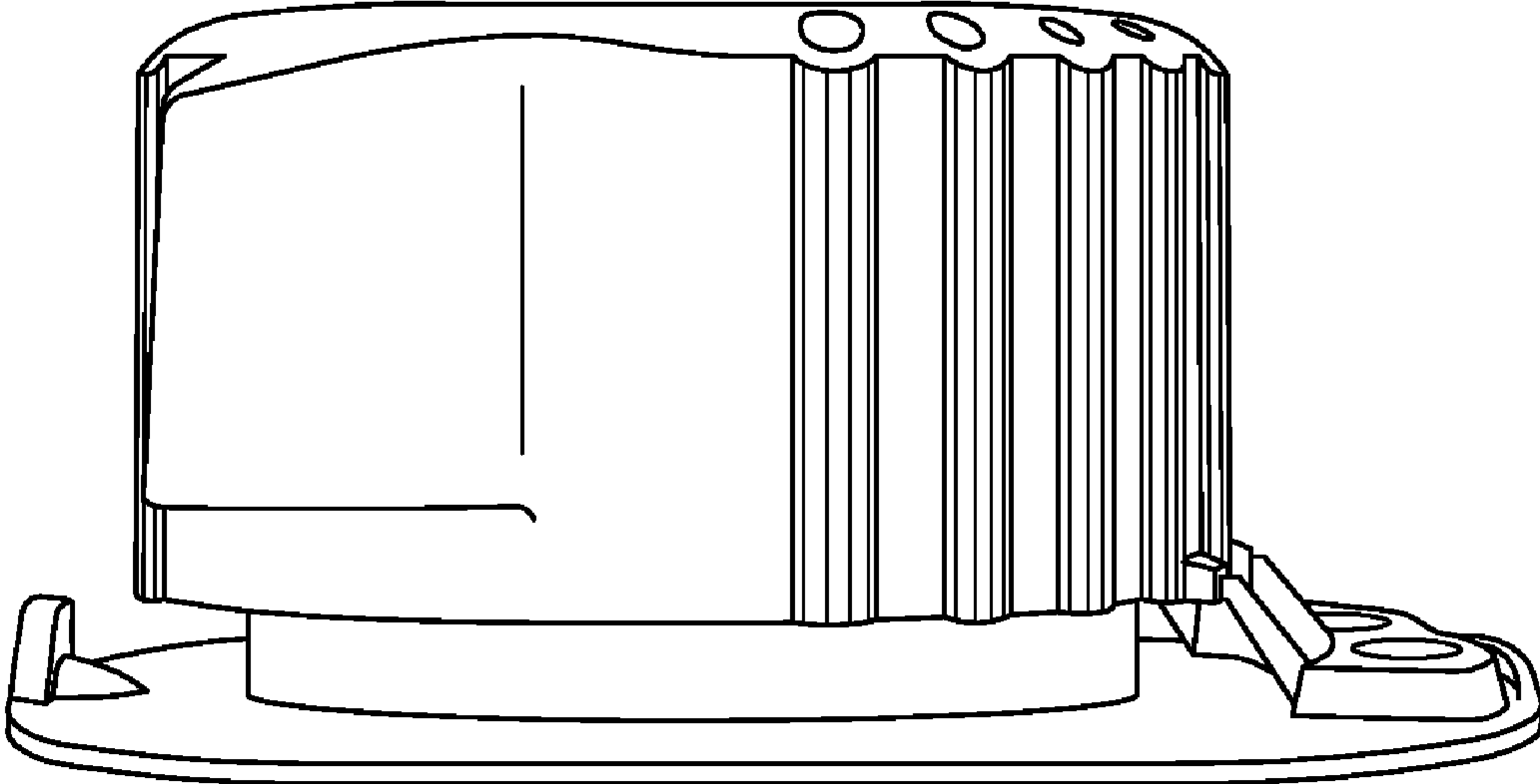


Fig. 5

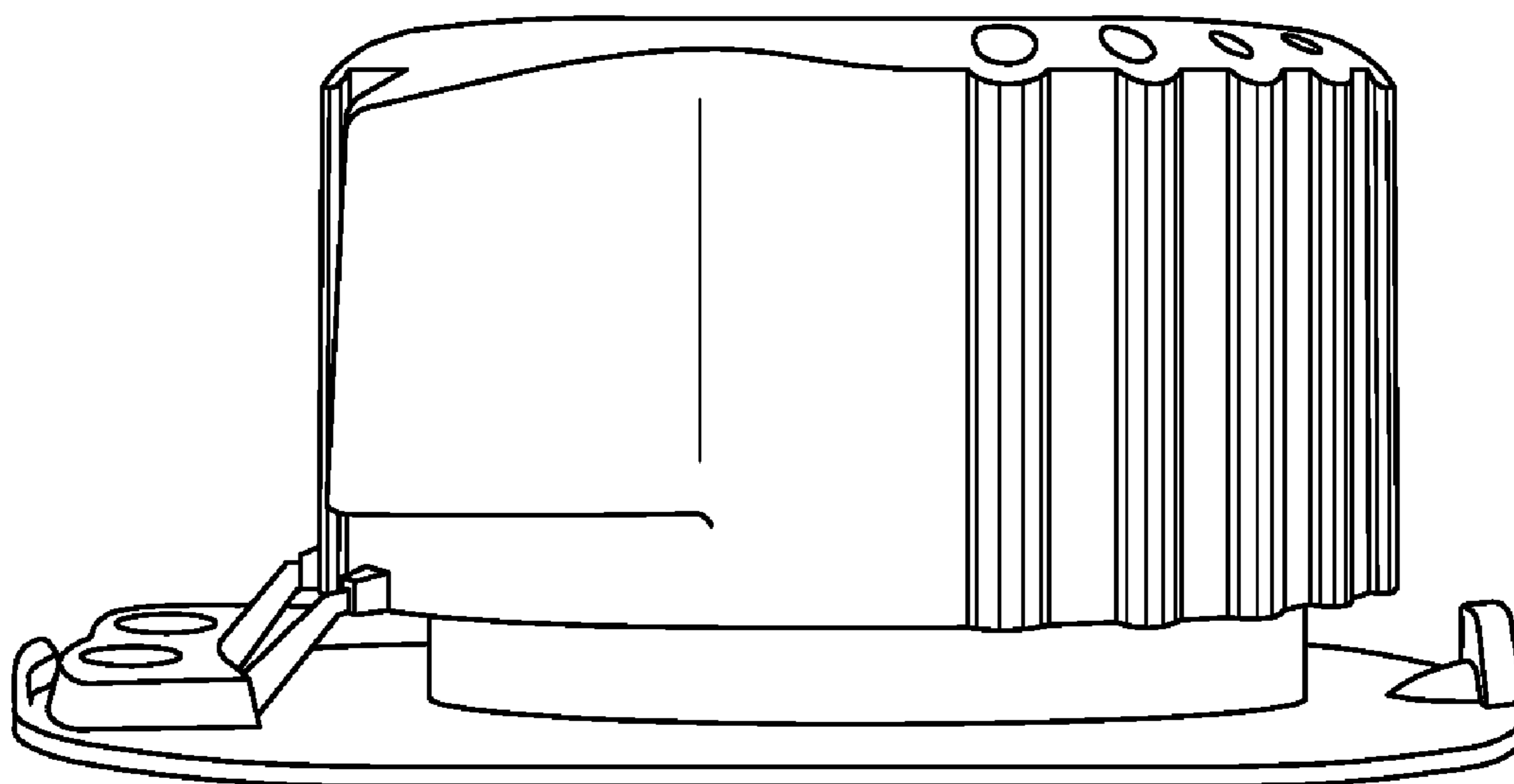


Fig. 6