

US00D636263S

(12) **United States Design Patent**
Phemster

(10) **Patent No.:** **US D636,263 S**

(45) **Date of Patent:** **** Apr. 19, 2011**

(54) **SEQUINED LID FOR A TANNING LOTION BOTTLE**

(75) Inventor: **Susan C. Phemster**, Indianapolis, IN (US)

(73) Assignee: **Australian Gold, LLC**, Indianapolis, IN (US)

(**) Term: **14 Years**

(21) Appl. No.: **29/355,644**

(22) Filed: **Feb. 11, 2010**

(51) **LOC (9) Cl.** **09-07**

(52) **U.S. Cl.** **D9/452**

(58) **Field of Classification Search** D9/651, D9/453, 452, 450, 449, 446, 443, 435, 668; 222/83; 220/277; 215/252, 216, 206, 222, 215/219

See application file for complete search history.

(56) **References Cited**

U.S. PATENT DOCUMENTS

D111,546 S *	9/1938	Mann	D9/651
D155,180 S *	9/1949	Davinetz	D9/453
4,912,944 A *	4/1990	Crosley et al.	63/29.2
D398,553 S *	9/1998	Frank	D11/127
D461,419 S *	8/2002	Burger	D9/545

D528,404 S *	9/2006	Spira	D8/353
D538,029 S *	3/2007	Knoepke	D2/978
D554,366 S *	11/2007	Morris et al.	D3/232
7,322,213 B2 *	1/2008	Tamir et al.	63/23
D588,012 S *	3/2009	Navarro	D9/668
D612,238 S *	3/2010	Moreau et al.	D9/452
D627,071 S *	11/2010	Sevigny	D24/189
2008/0152846 A1 *	6/2008	Sa	428/32.71

* cited by examiner

Primary Examiner — Susan Bennett Hattan

(74) *Attorney, Agent, or Firm* — Woodard, Emhardt, Moriarty, McNett & Henry LLP

(57) **CLAIM**

The ornamental design for a sequined lid for a tanning lotion bottle, as shown and described.

DESCRIPTION

FIG. 1 is a front view of the sequined lid for a tanning lotion bottle, the rear view being a mirror image.

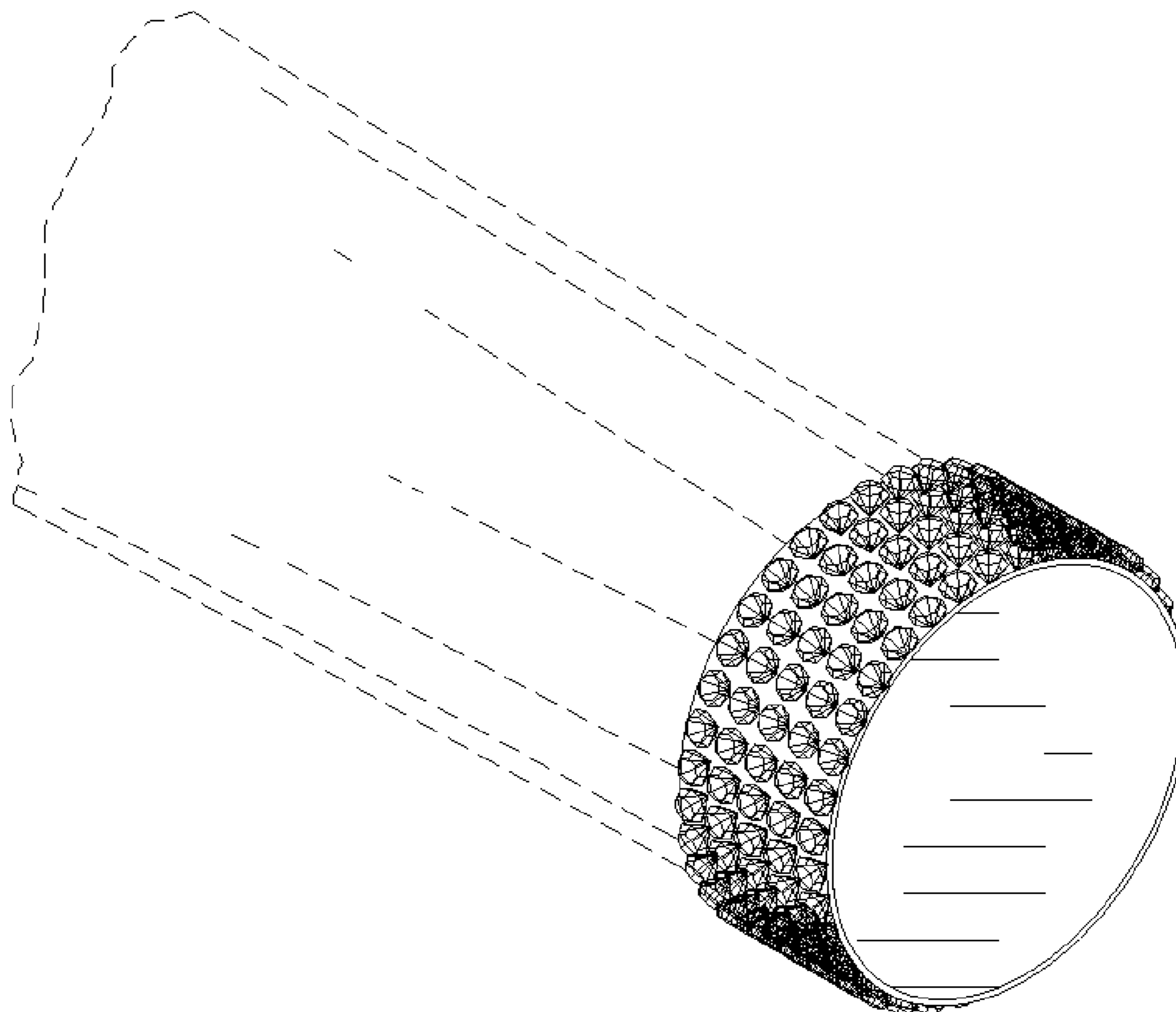
FIG. 2 is a side view of the sequined lid for a tanning lotion bottle, the opposite side view being a mirror image.

FIG. 3 is a bottom view of the sequined lid for a tanning lotion bottle; and,

FIG. 4 is a perspective view of the side and bottom for a sequined lid of the tanning lotion bottle.

The broken line drawing portions depict environmental subject matter only and form no part of the claimed design.

1 Claim, 1 Drawing Sheet



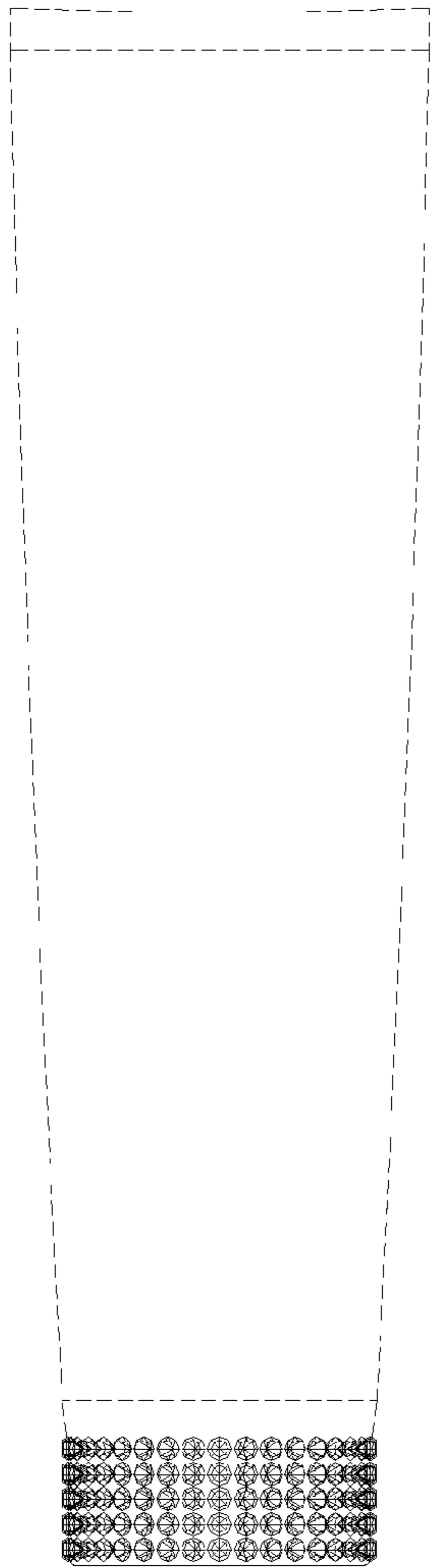


Fig. 1

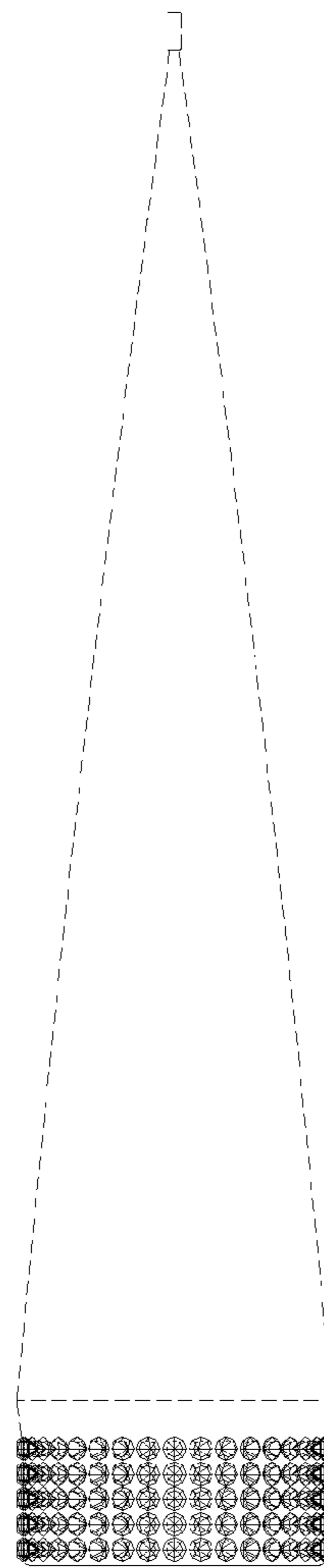


Fig. 2

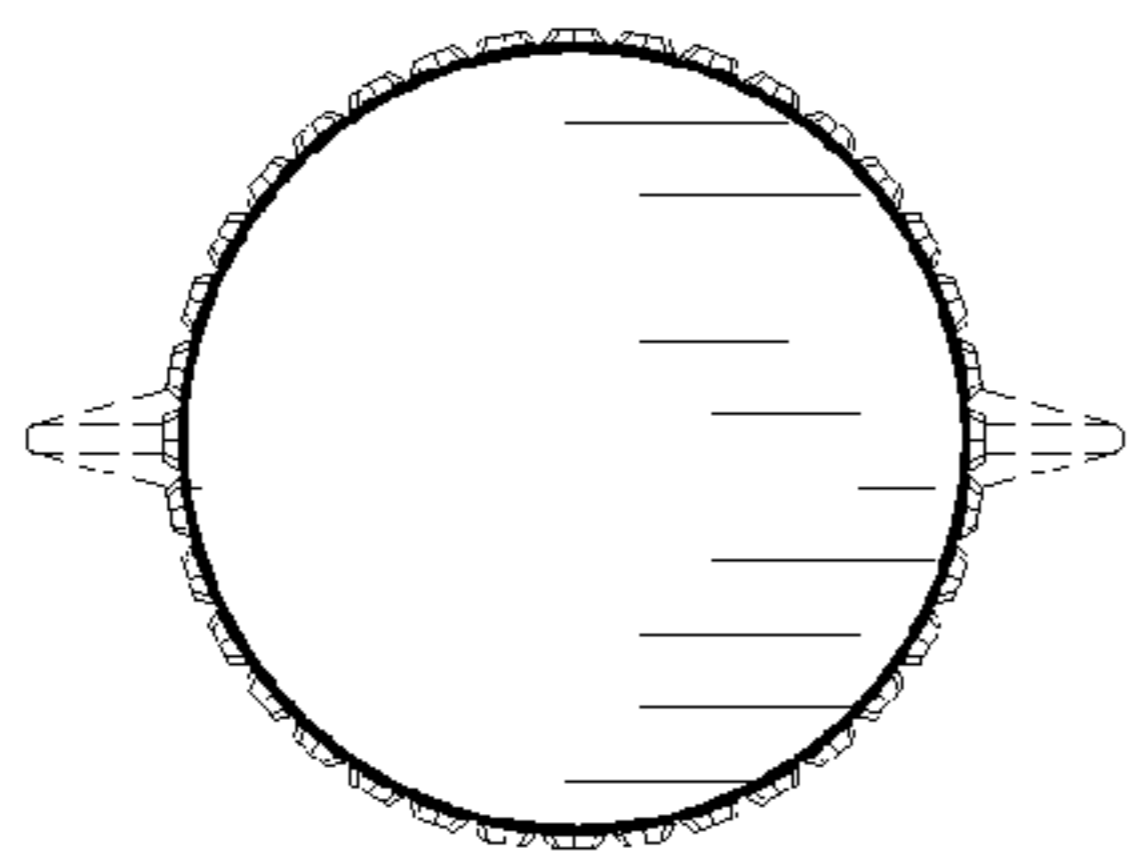


Fig. 3

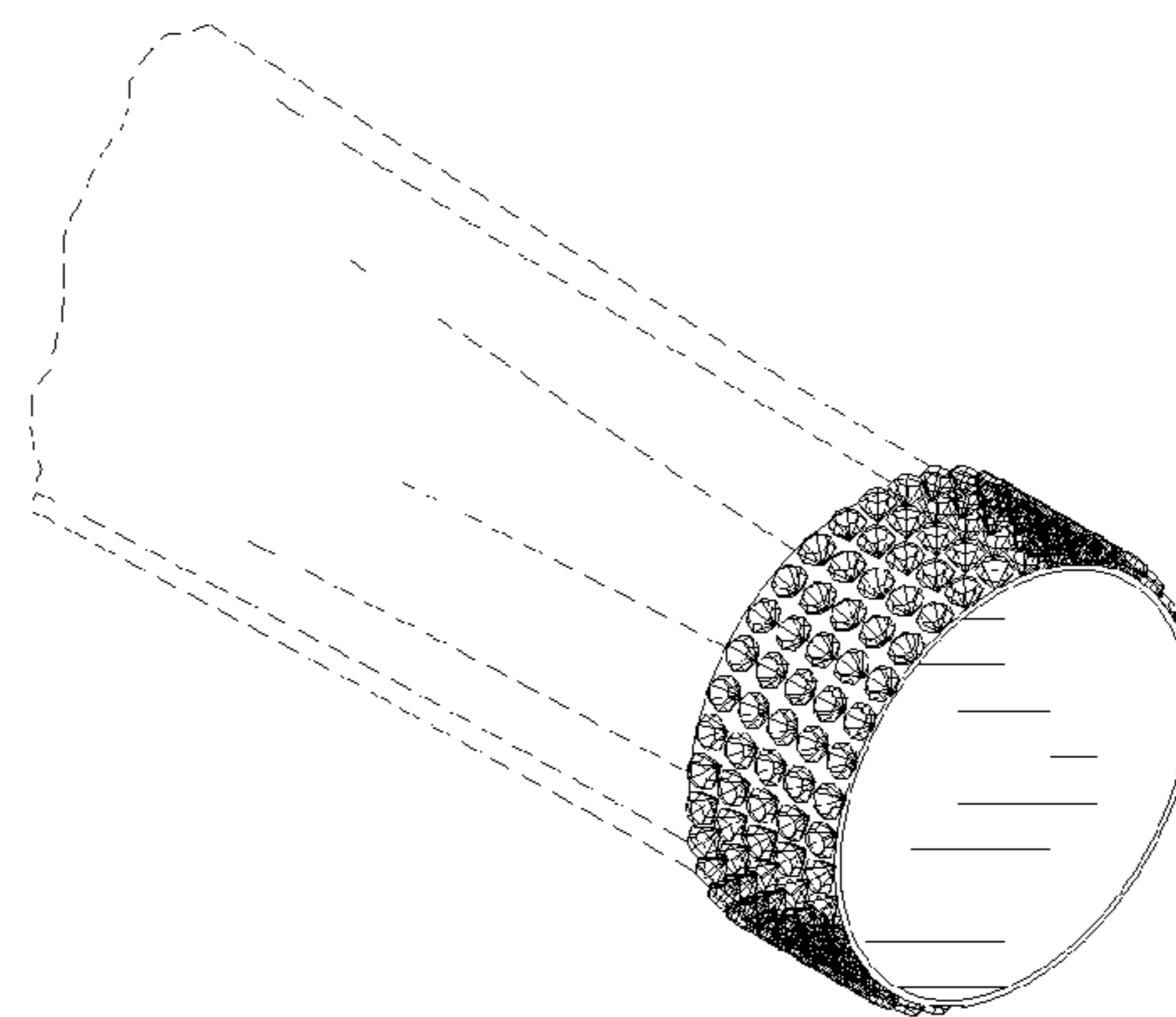


Fig. 4