



US00D636261S

(12) **United States Design Patent**
Michitsuji et al.

(10) **Patent No.:** **US D636,261 S**
(45) **Date of Patent:** **** Apr. 19, 2011**

(54) **PUMP DISPENSER**

(75) Inventors: **Tomotaka Michitsuji**, Osaka (JP);
Manivannan Kandasamy, Kobe (JP)

(73) Assignee: **The Procter & Gamble Company**,
Cincinnati, OH (US)

(**) Term: **14 Years**

(21) Appl. No.: **29/377,660**

(22) Filed: **Oct. 25, 2010**

Related U.S. Application Data

(62) Division of application No. 29/315,691, filed on Jul. 15, 2009.

(51) **LOC (9) Cl.** **09-07**

(52) **U.S. Cl.** **D9/448**

(58) **Field of Classification Search** D9/456,
D9/455, 448, 447, 445, 438, 434, 763, 772;
D7/605, 387, 213; D3/211, 207; D23/226;
40/307; 239/333, 331; 222/635, 631, 566,
222/321.9, 321.8, 321.7, 320, 251; 220/915,
220/269, 268, 258.5

See application file for complete search history.

(56) **References Cited**

U.S. PATENT DOCUMENTS

D253,398 S	11/1979	Niemeyer
D434,984 S	12/2000	Wadsworth
D436,863 S	1/2001	Wadsworth
D438,113 S	2/2001	Wadsworth
D438,468 S	3/2001	Wadsworth
D438,798 S	3/2001	Wadsworth
D441,654 S	5/2001	Sayers
D452,822 S	1/2002	Boshuizen
D458,136 S	6/2002	Bakic
D458,137 S	6/2002	Bakic

D574,707 S	8/2008	Pietrowski
D588,006 S	3/2009	Boes
D598,750 S	8/2009	Boes
D600,554 S	9/2009	Toh
7,666,826 B2 *	2/2010	Smith et al. 510/180
D628,481 S *	12/2010	Maddy D9/435
2005/0236423 A1	10/2005	VanGordon

FOREIGN PATENT DOCUMENTS

EP	1 208 916 B1	6/2004
JP	10165853 A2	6/1998
WO	WO 00/04998 A1	2/2000

OTHER PUBLICATIONS

U.S. Appl. No. 29/315,691, filed Jul. 15, 2009, Michitsuji.
U.S. Appl. No. 29/377,662, filed Oct. 25, 2010, Michitsuji.

* cited by examiner

Primary Examiner — Susan Bennett Hattan

(74) *Attorney, Agent, or Firm* — Linda M. Sivik

(57) **CLAIM**

The ornamental design for pump dispenser, as shown and described.

DESCRIPTION

FIG. 1 is a perspective view of a pump dispenser, embodying our new design;

FIG. 2 is a front view thereof;

FIG. 3 is a left side view thereof;

FIG. 4 is a right side view thereof;

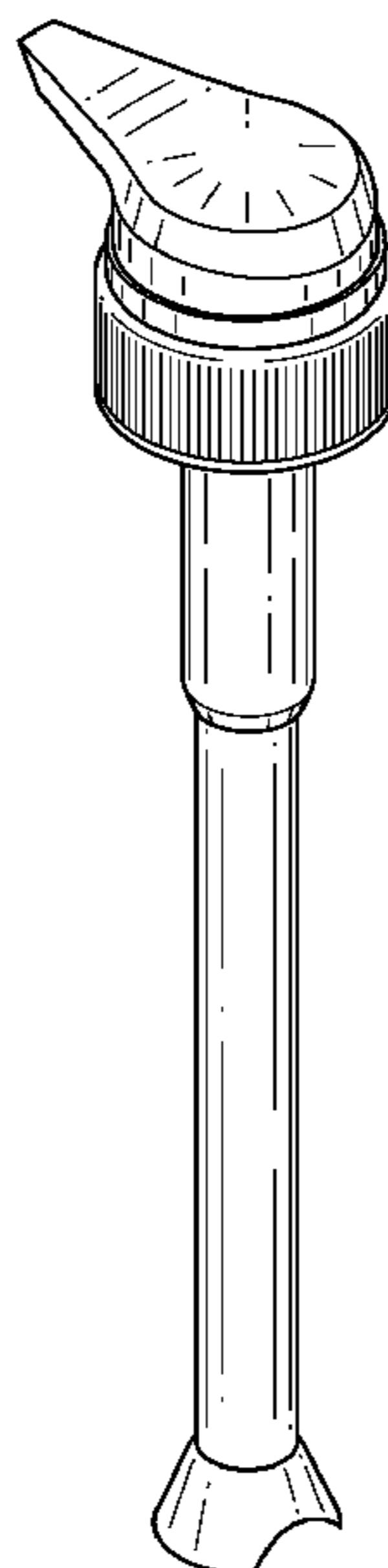
FIG. 5 is a top plan view thereof; and,

FIG. 6 is a bottom view thereof.

The broken lines shown in the drawings are for illustrative purposes only and form no part of the claimed design.

Back view is omitted because a back view is identical to a front view.

1 Claim, 4 Drawing Sheets



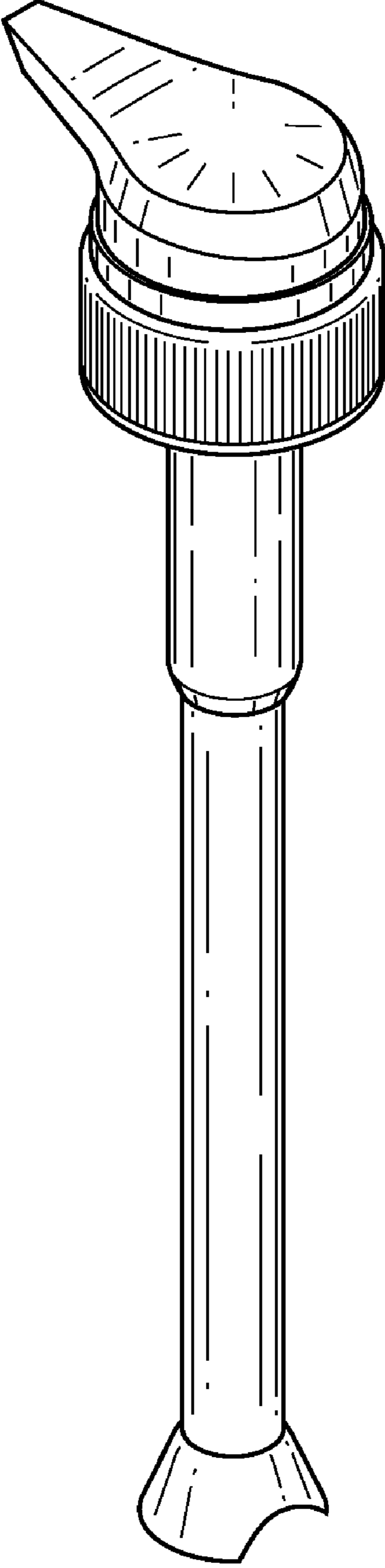


Fig. 1

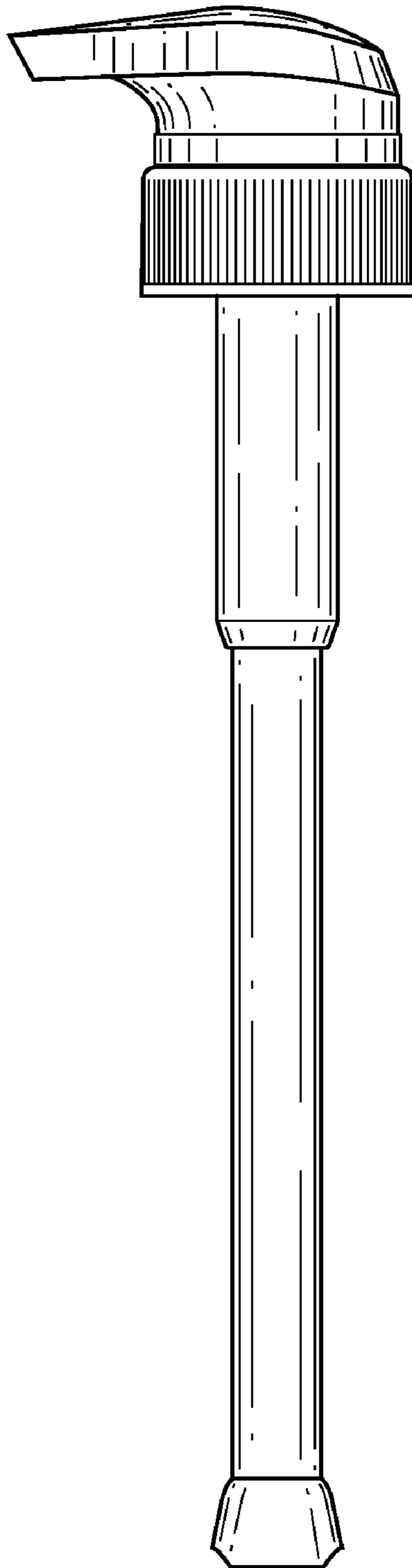


Fig. 2

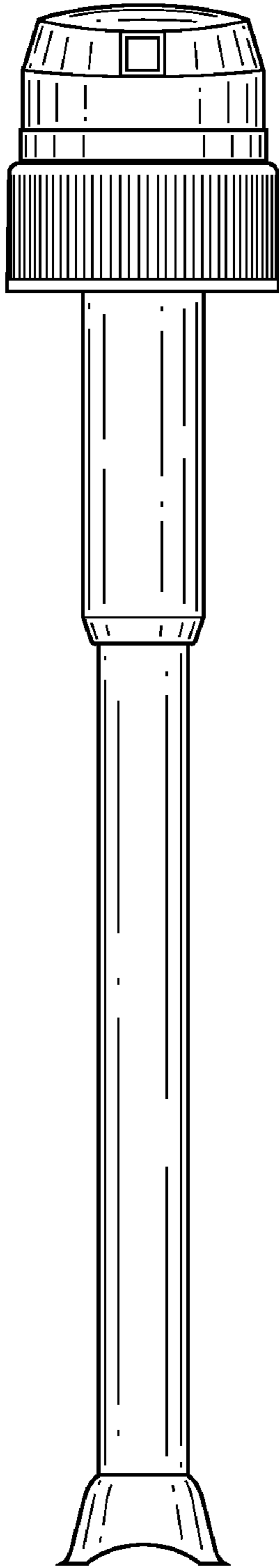


Fig. 3

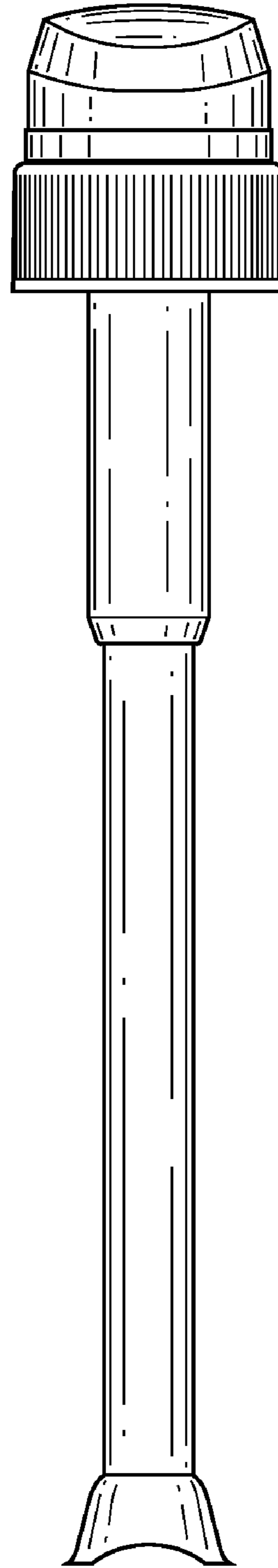


Fig. 4

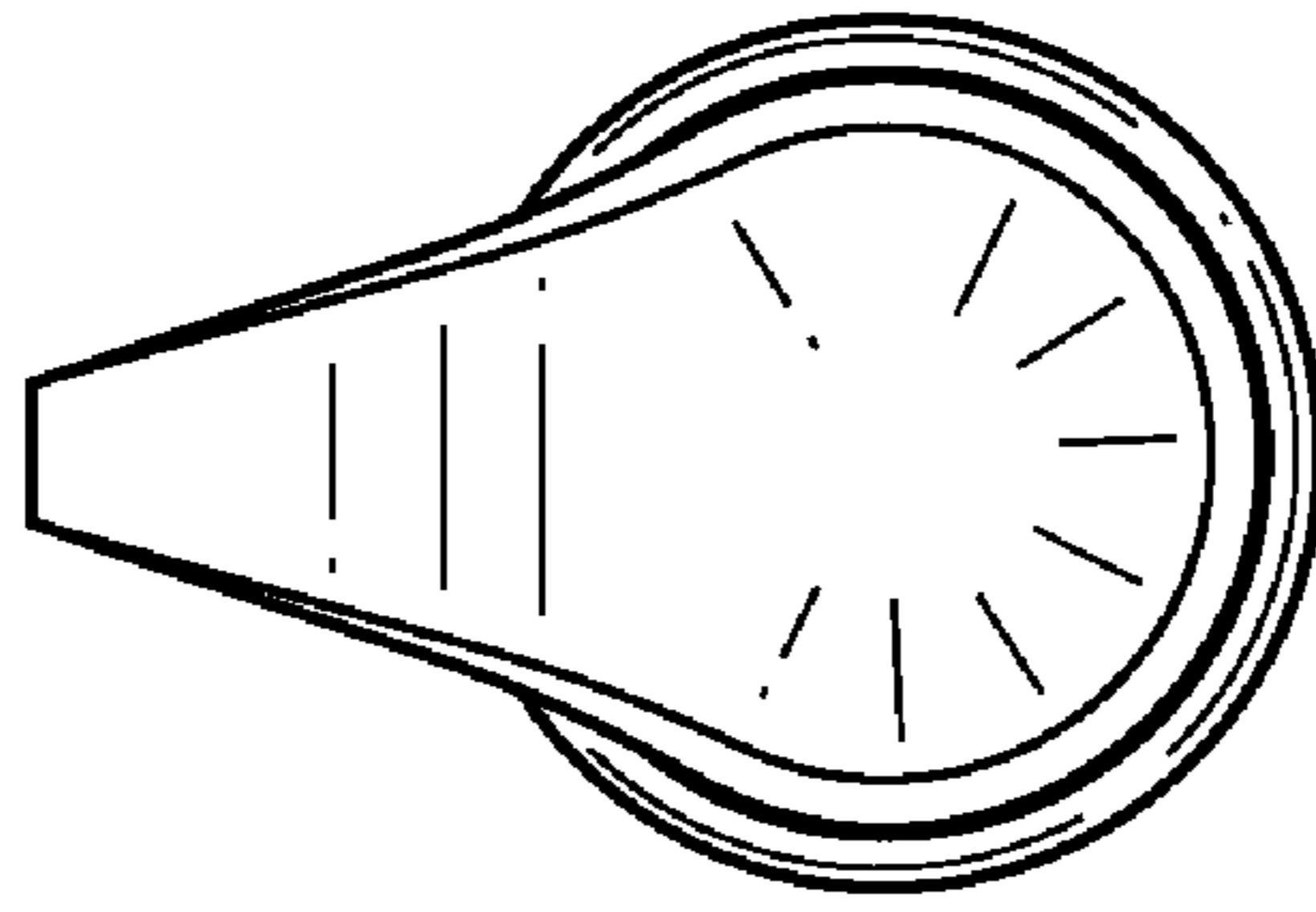


Fig. 5

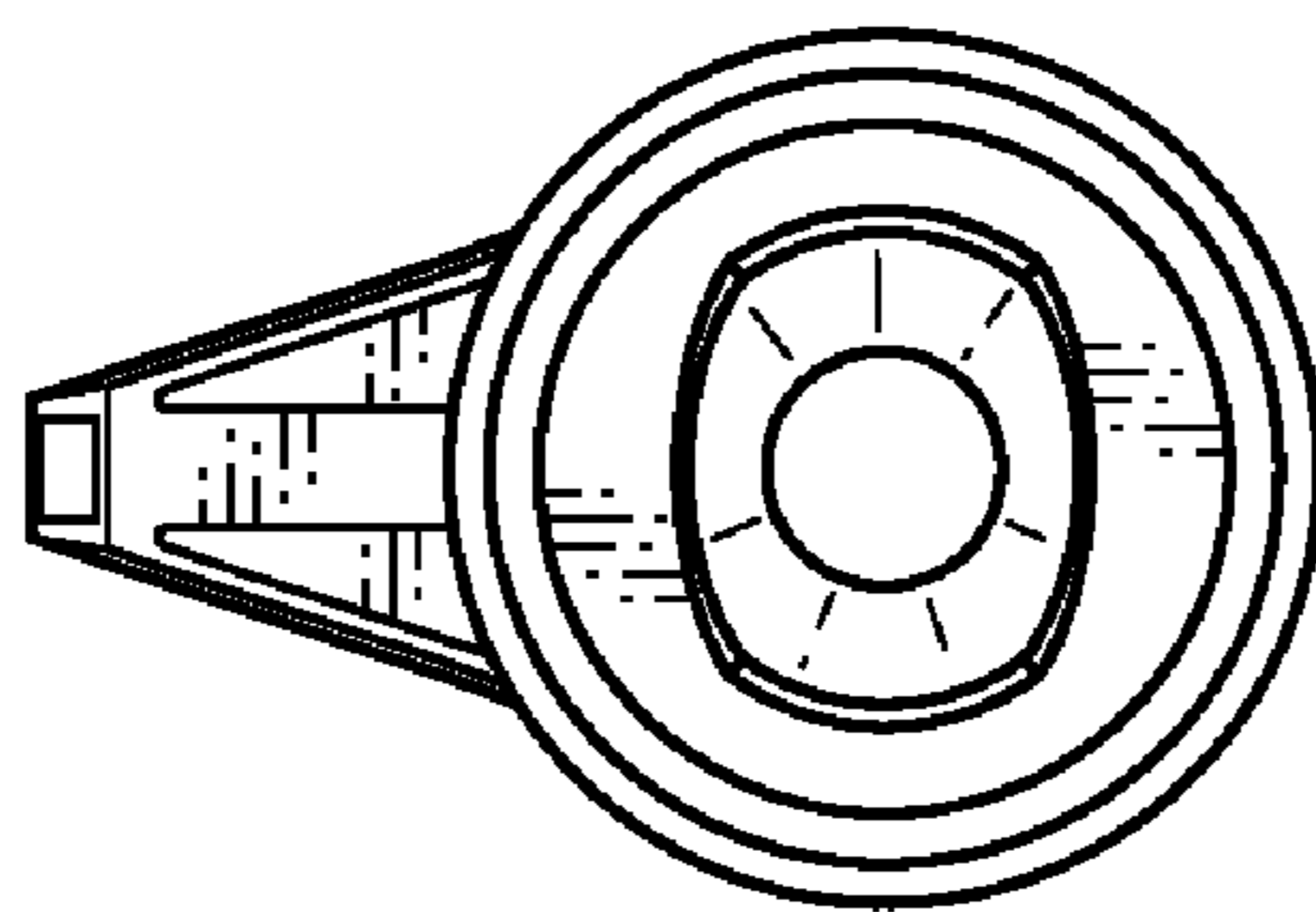


Fig. 6