

US00D636255S

(12) **United States Design Patent**
Suzuki

(10) **Patent No.:** **US D636,255 S**
(45) **Date of Patent:** **** Apr. 19, 2011**

(54) **RIVET**

DESCRIPTION

(75) Inventor: **Yasuyuki Suzuki**, Aichi-ken (JP)

(73) Assignee: **Kitagawa Industries Co., Ltd.**,
Aichi-Ken (JP)

(**) Term: **14 Years**

(21) Appl. No.: **29/352,540**

(22) Filed: **Dec. 22, 2009**

(30) **Foreign Application Priority Data**

Jul. 2, 2009 (JP) 2009-015105

(51) **LOC (9) Cl.** **08-08**

(52) **U.S. Cl.** **D8/386**

(58) **Field of Classification Search** D8/382,
D8/386, 385; 411/500, 508, 509, 510; 24/297

See application file for complete search history.

(56) **References Cited**

FOREIGN PATENT DOCUMENTS

JP	330140	5/1971
JP	330140	8/1972
JP	424474	6/1976
JP	330140	10/1976
JP	424474	5/1977
JP	462417	12/1977
JP	464377	12/1977
JP	463417	9/1979

Primary Examiner — Holly H Baynham

Assistant Examiner — Sheryl Lane

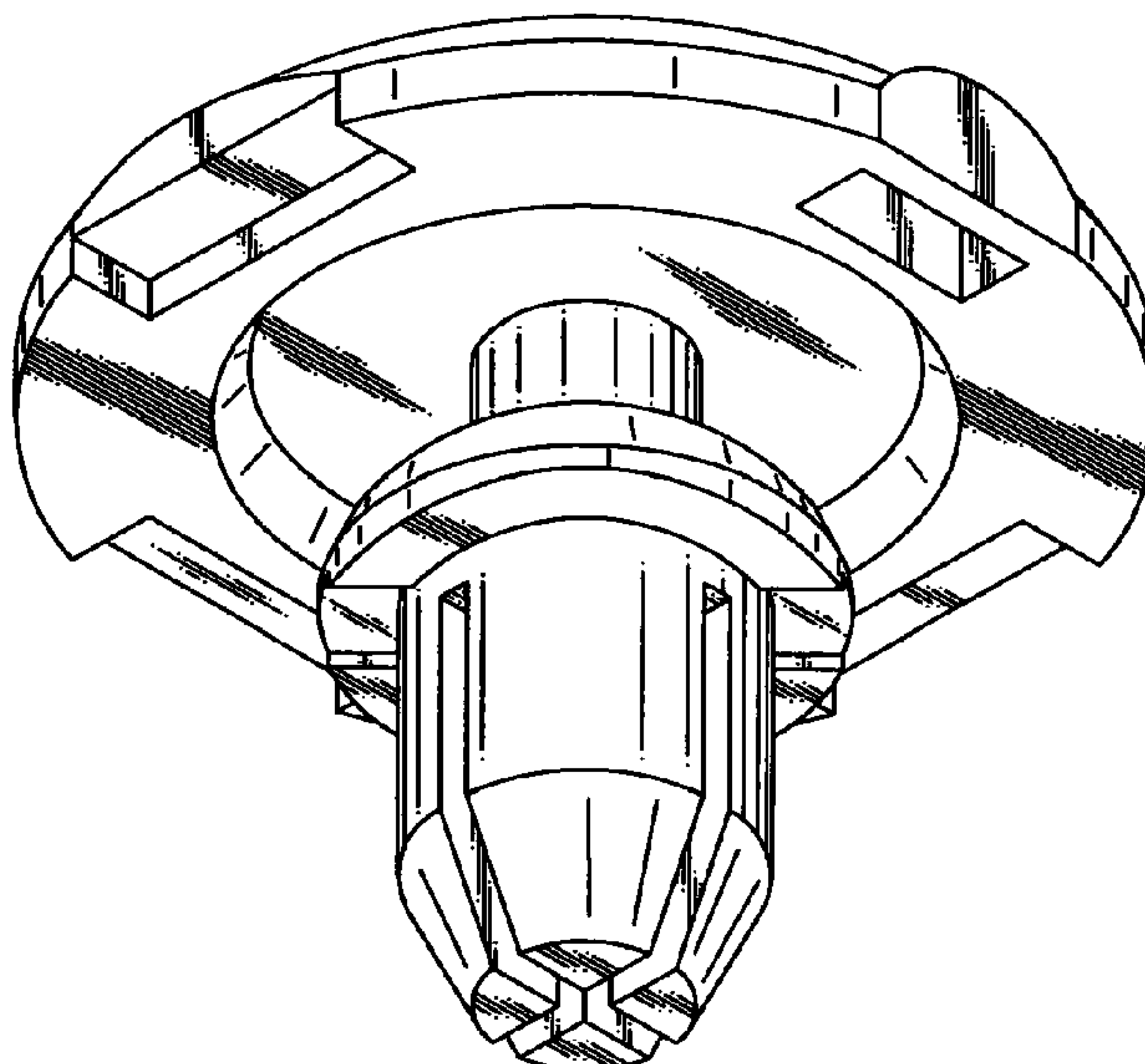
(74) *Attorney, Agent, or Firm* — Davis & Bujold, P.L.L.C.

(57) **CLAIM**

I claim the ornamental design for a rivet, as shown and described.

FIG. 1 is a top plan view of a RIVET embodying my new design;
 FIG. 2 is a front elevational view thereof;
 FIG. 3 is a bottom plan view thereof;
 FIG. 4 is a left side elevational view thereof;
 FIG. 5 is a right side elevational view thereof;
 FIG. 6 is a rear elevational view thereof;
 FIG. 7 is a top, front, left perspective view thereof;
 FIG. 8 is a top, front, right perspective view thereof;
 FIG. 9 is a bottom, front, left perspective view thereof;
 FIG. 10 is a bottom, front, right perspective view thereof;
 FIG. 11 is a top plan view of a pusher embodying my new design;
 FIG. 12 is a front elevational view of FIG. 11;
 FIG. 13 is a bottom plan view FIG. 11;
 FIG. 14 is a left side elevational view FIG. 11;
 FIG. 15 is a right side elevational view FIG. 11;
 FIG. 16 is a rear elevational view FIG. 11;
 FIG. 17 is a top, front, left perspective view FIG. 11;
 FIG. 18 is a top, front, right perspective view FIG. 11;
 FIG. 19 is a bottom, front, left perspective view FIG. 11;
 FIG. 20 is a bottom, front, right perspective view FIG. 11;
 FIG. 21 is a top plan view of a receiver embodying my new design;
 FIG. 22 is a front elevational view of FIG. 21;
 FIG. 23 is a bottom plan view FIG. 21;
 FIG. 24 is a left side elevational view FIG. 21;
 FIG. 25 is a right side elevational view FIG. 21;
 FIG. 26 is a rear elevational view FIG. 21;
 FIG. 27 is a top, front, left perspective view FIG. 21;
 FIG. 28 is a top, front, right perspective view FIG. 21;
 FIG. 29 is a bottom, front, left perspective view FIG. 21; and,
 FIG. 30 is a bottom, front, right perspective view FIG. 21.
 The broken line showing of the surface is included for the purpose of illustrating environment and forms no part of the claimed design.
 The elements of the claimed design are shown detached for ease and clarity of illustration.

1 Claim, 9 Drawing Sheets



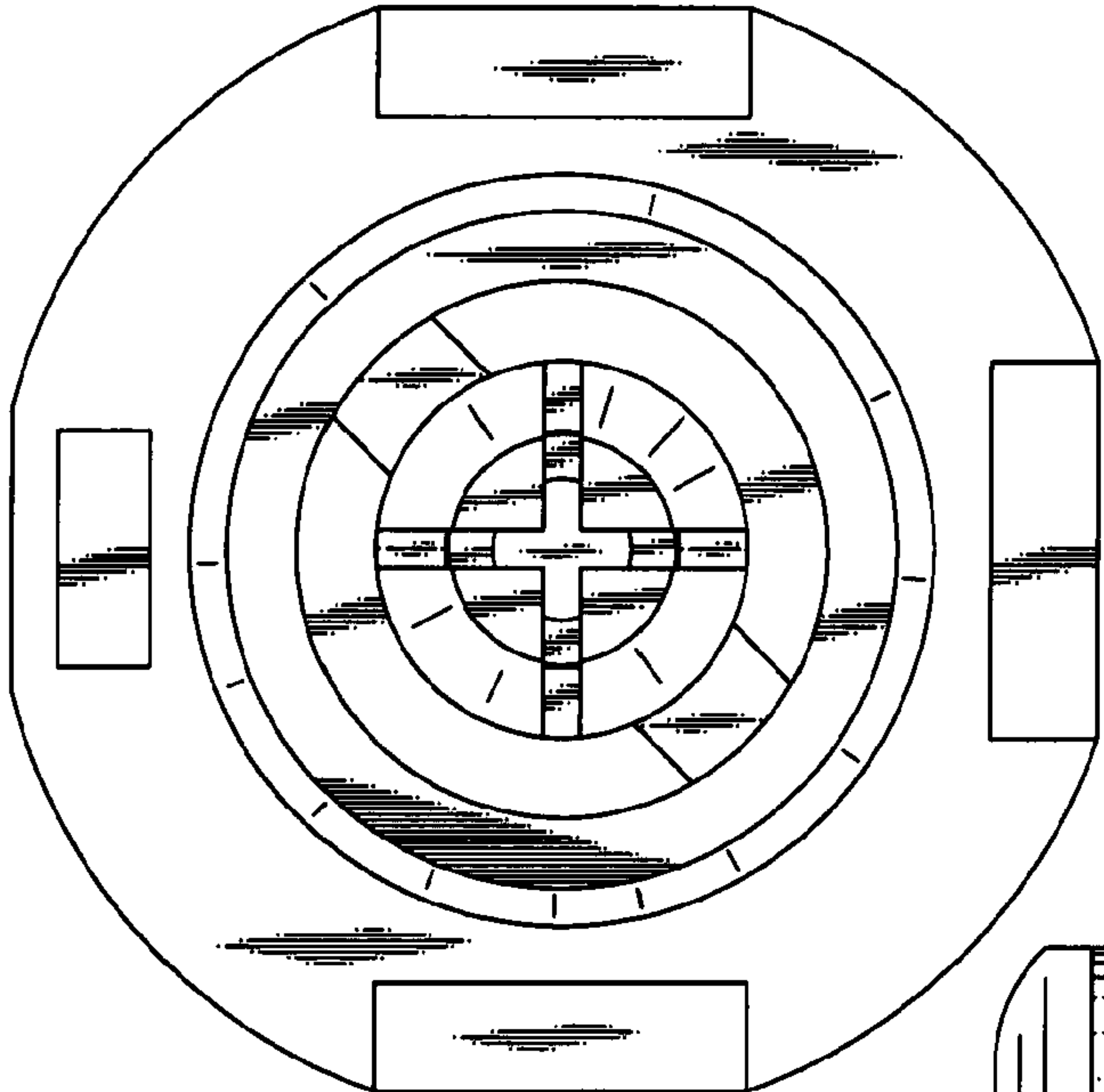


FIG.3

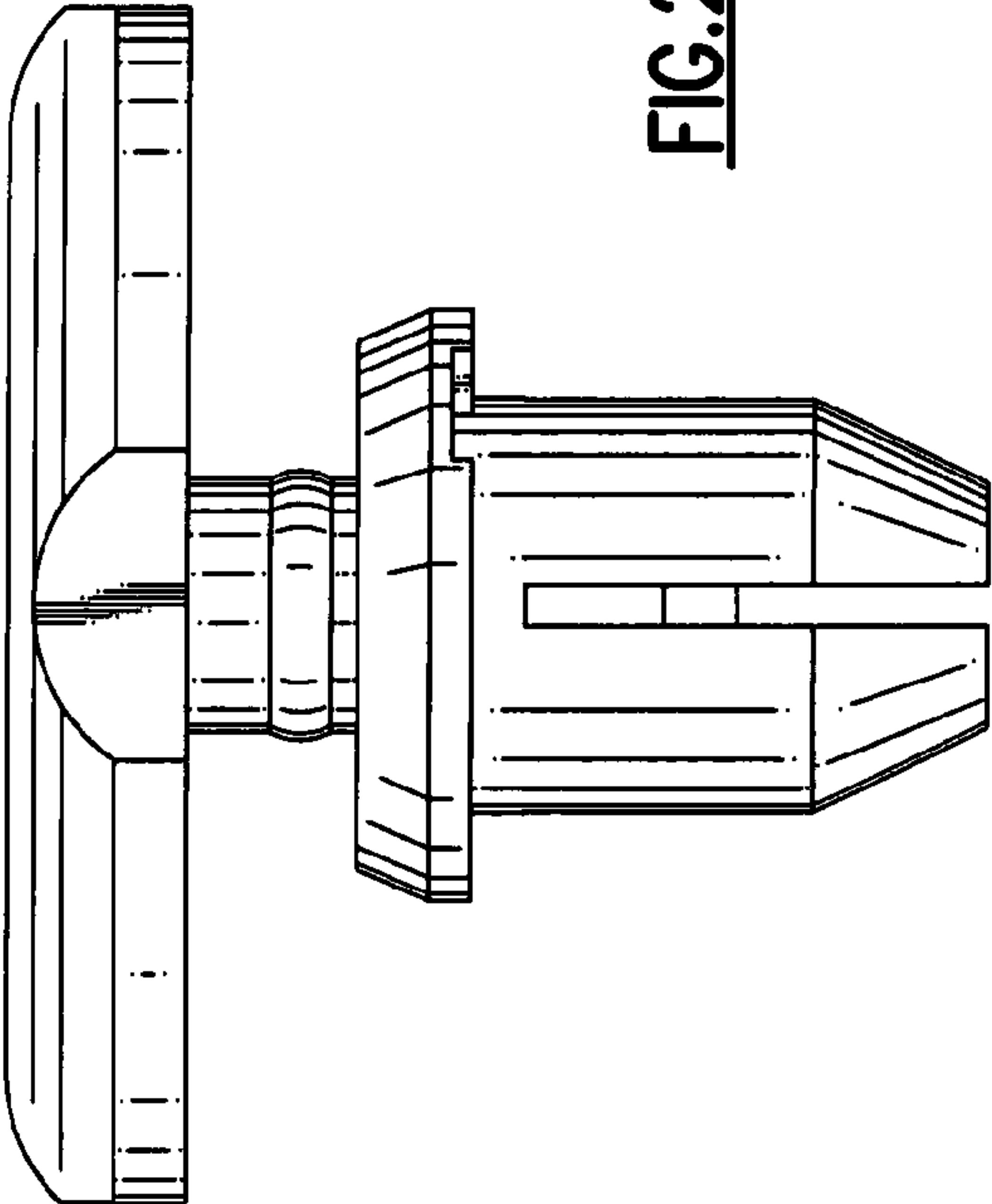


FIG.2

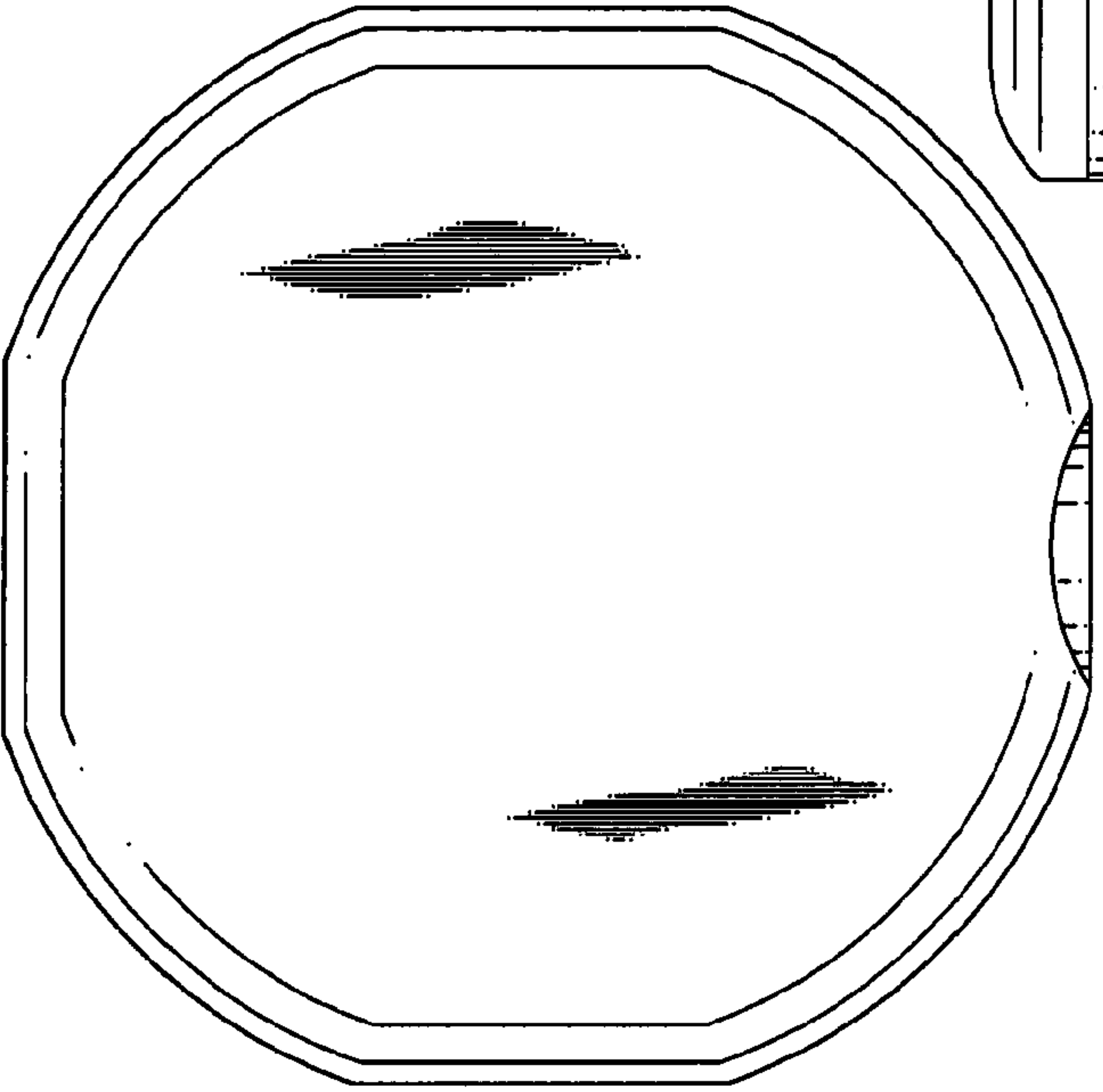


FIG.1

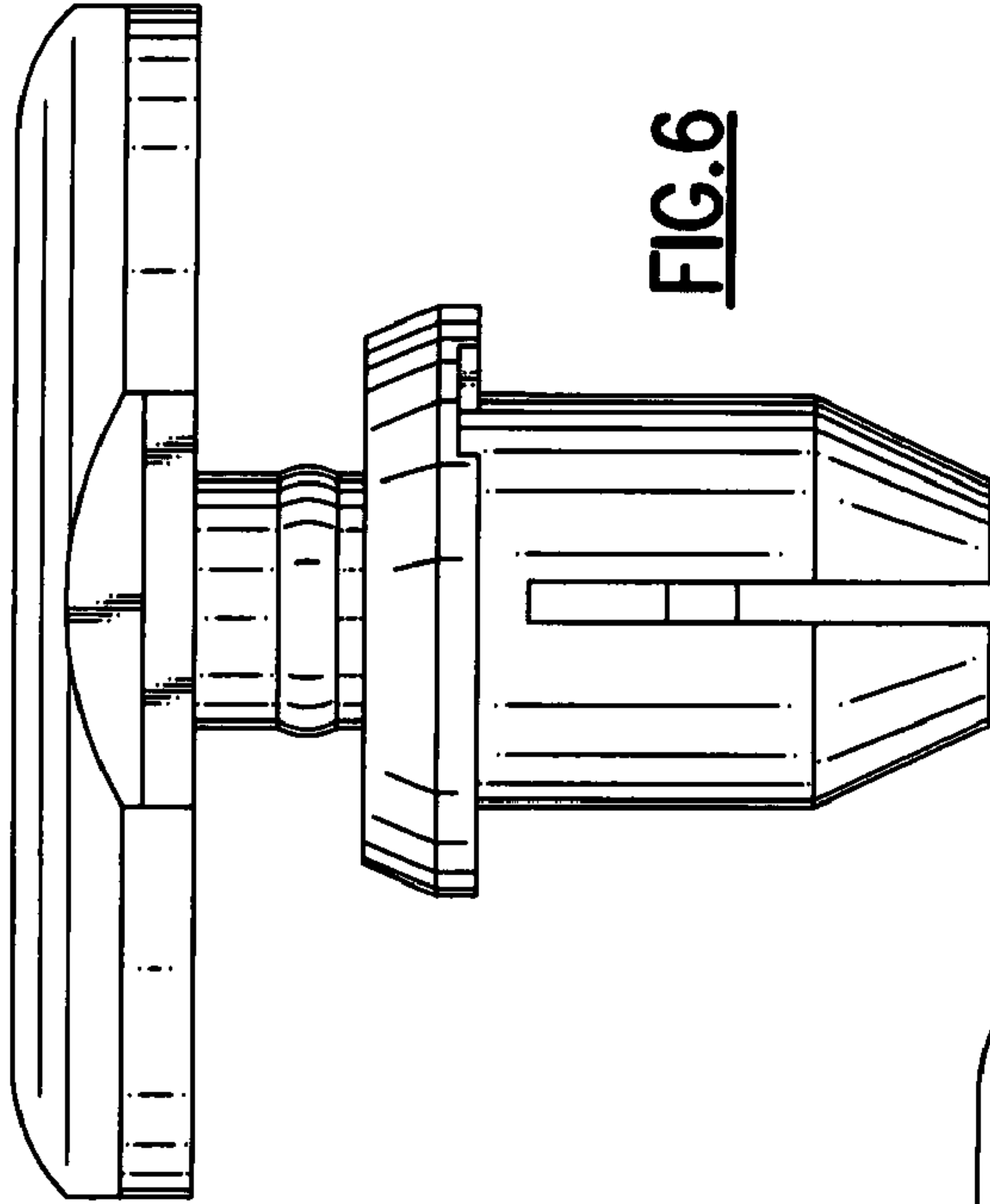


FIG. 6

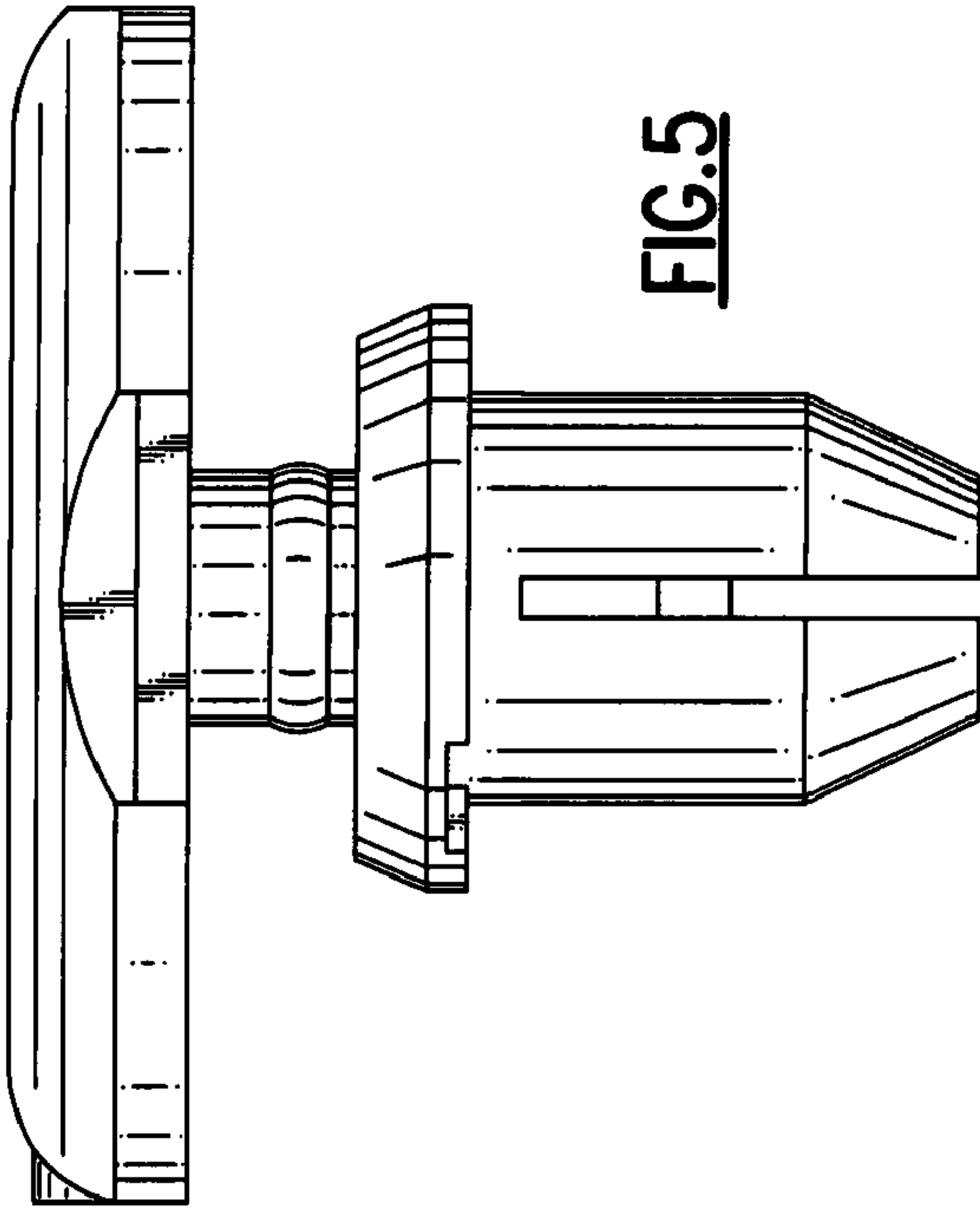


FIG. 5

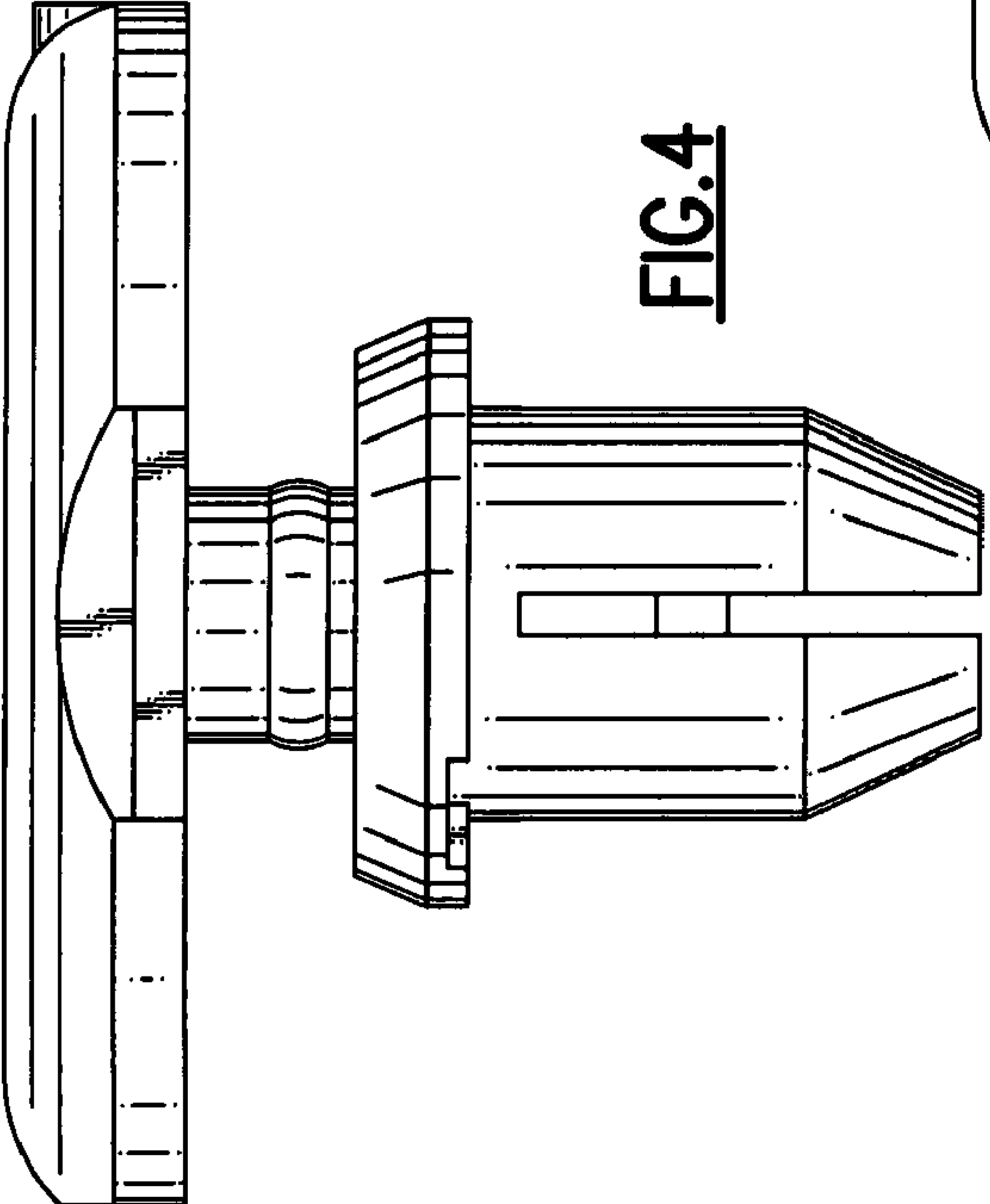


FIG. 4

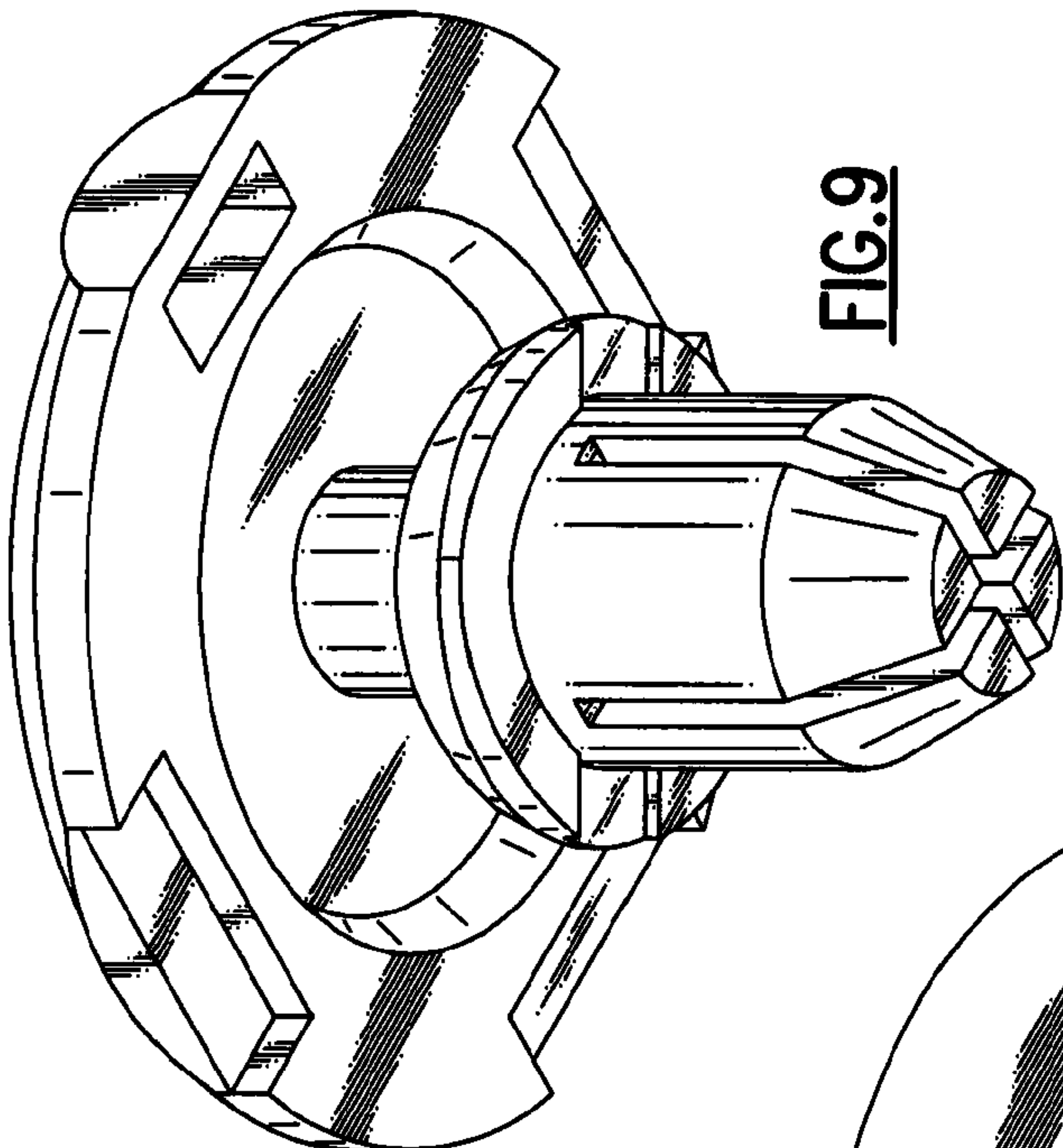


FIG. 9

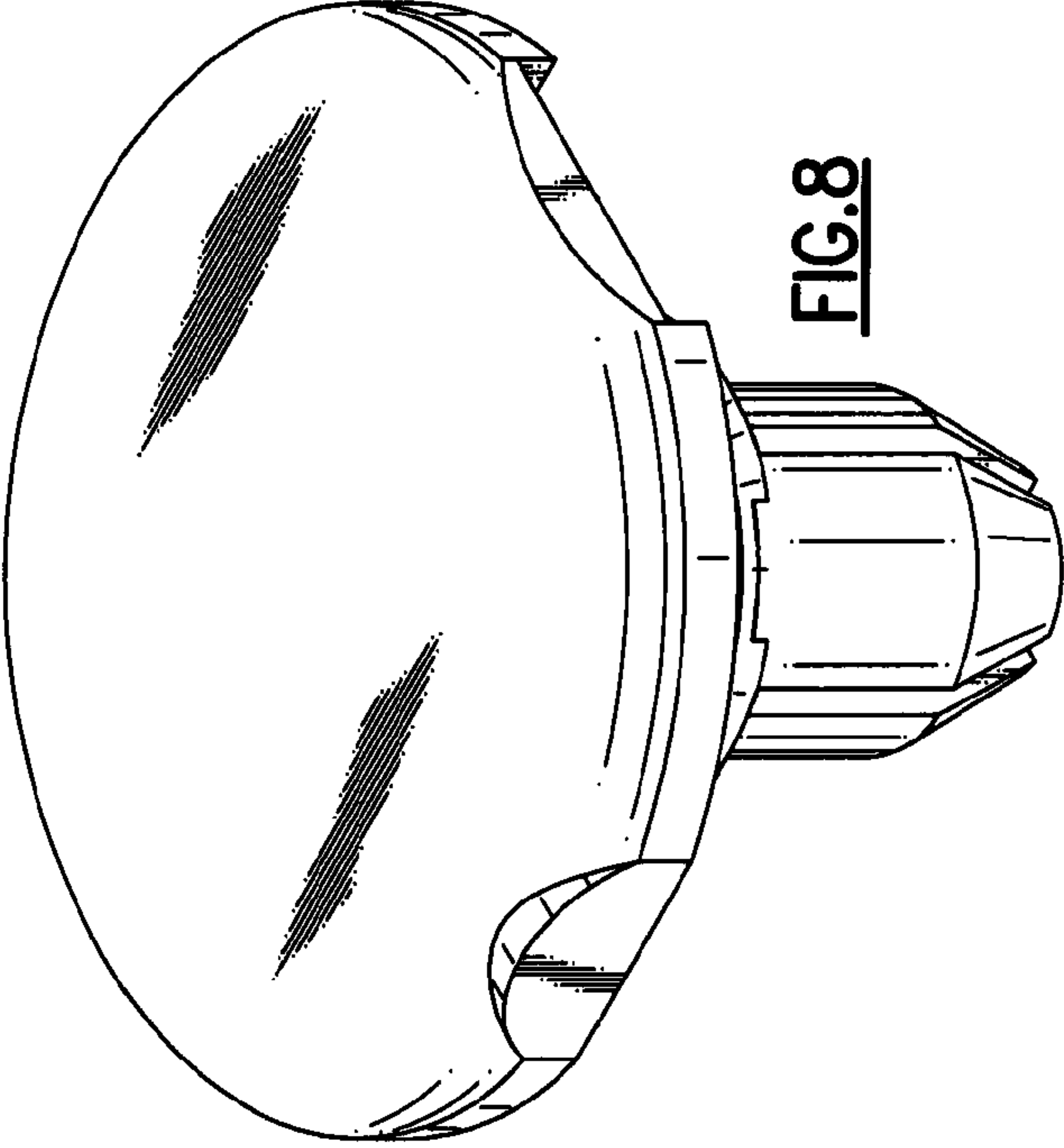


FIG. 8

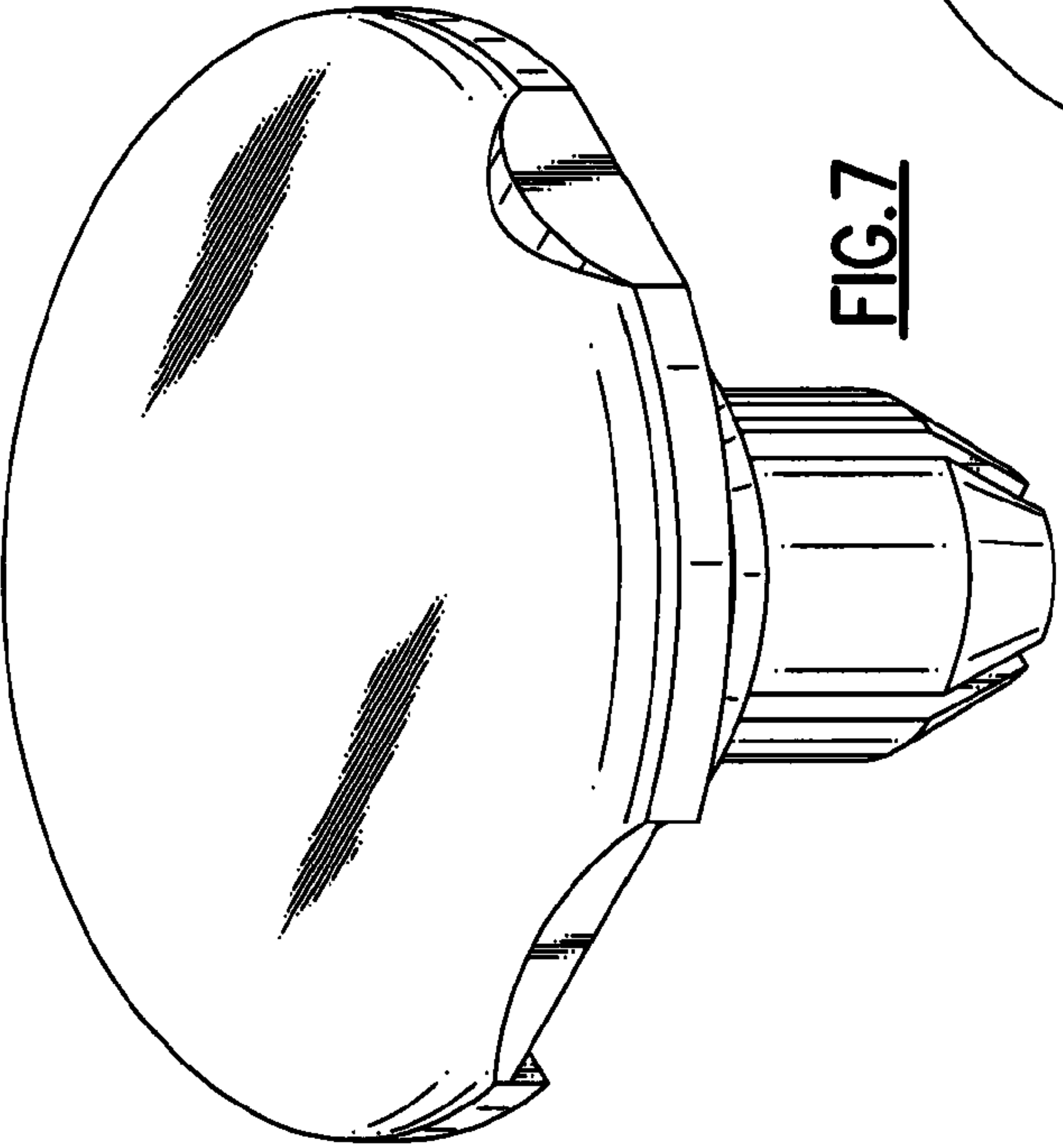


FIG. 7

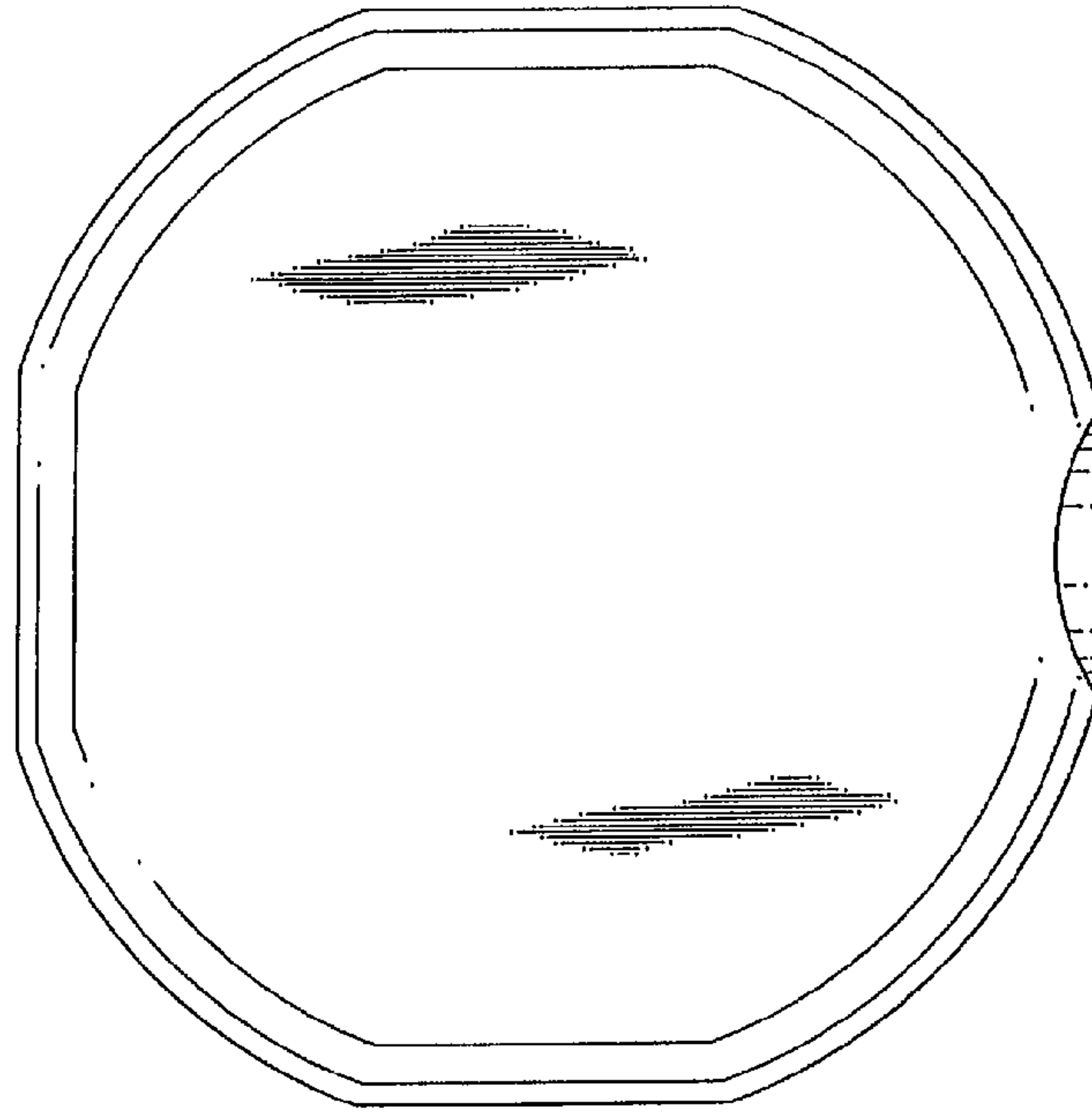


FIG. 11

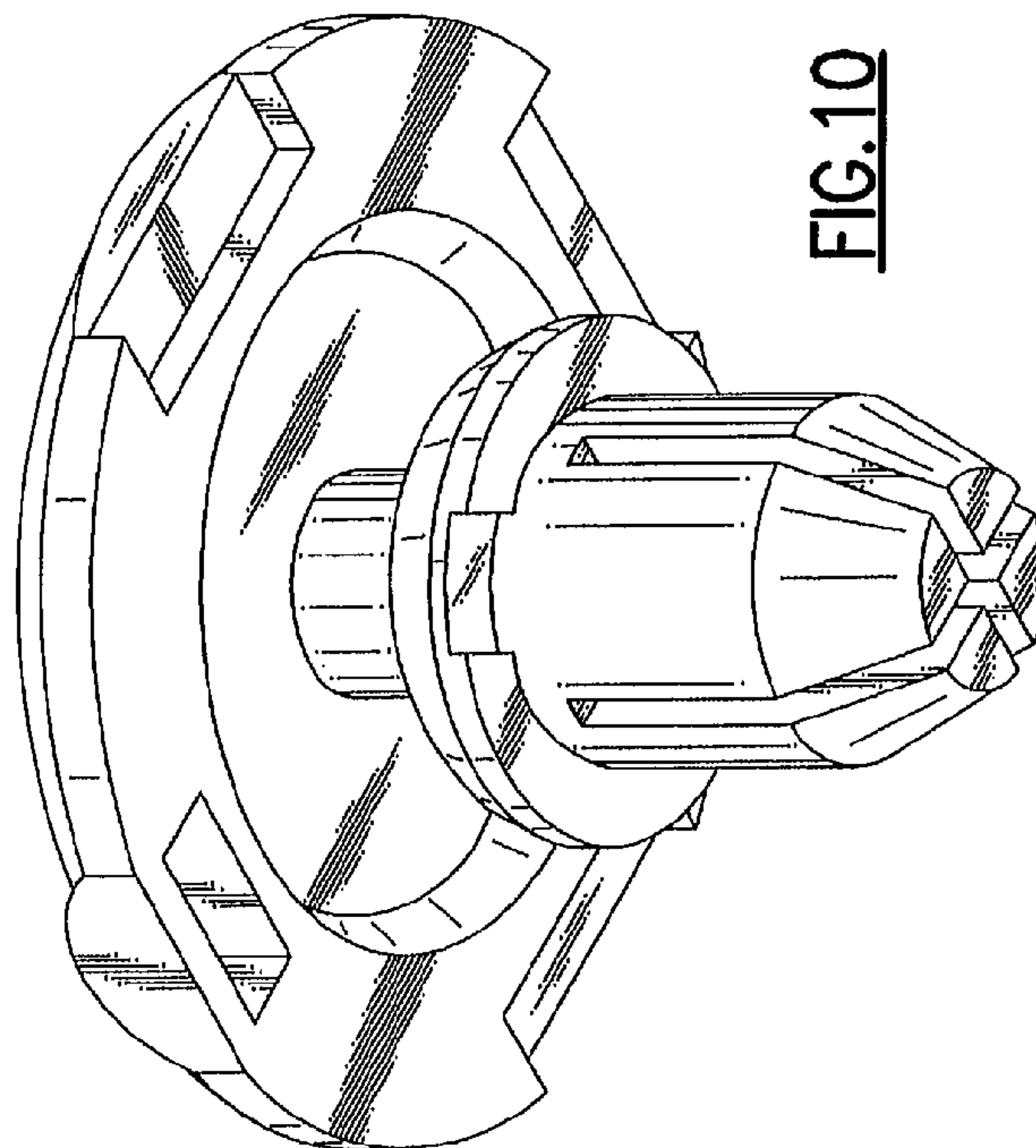


FIG. 10

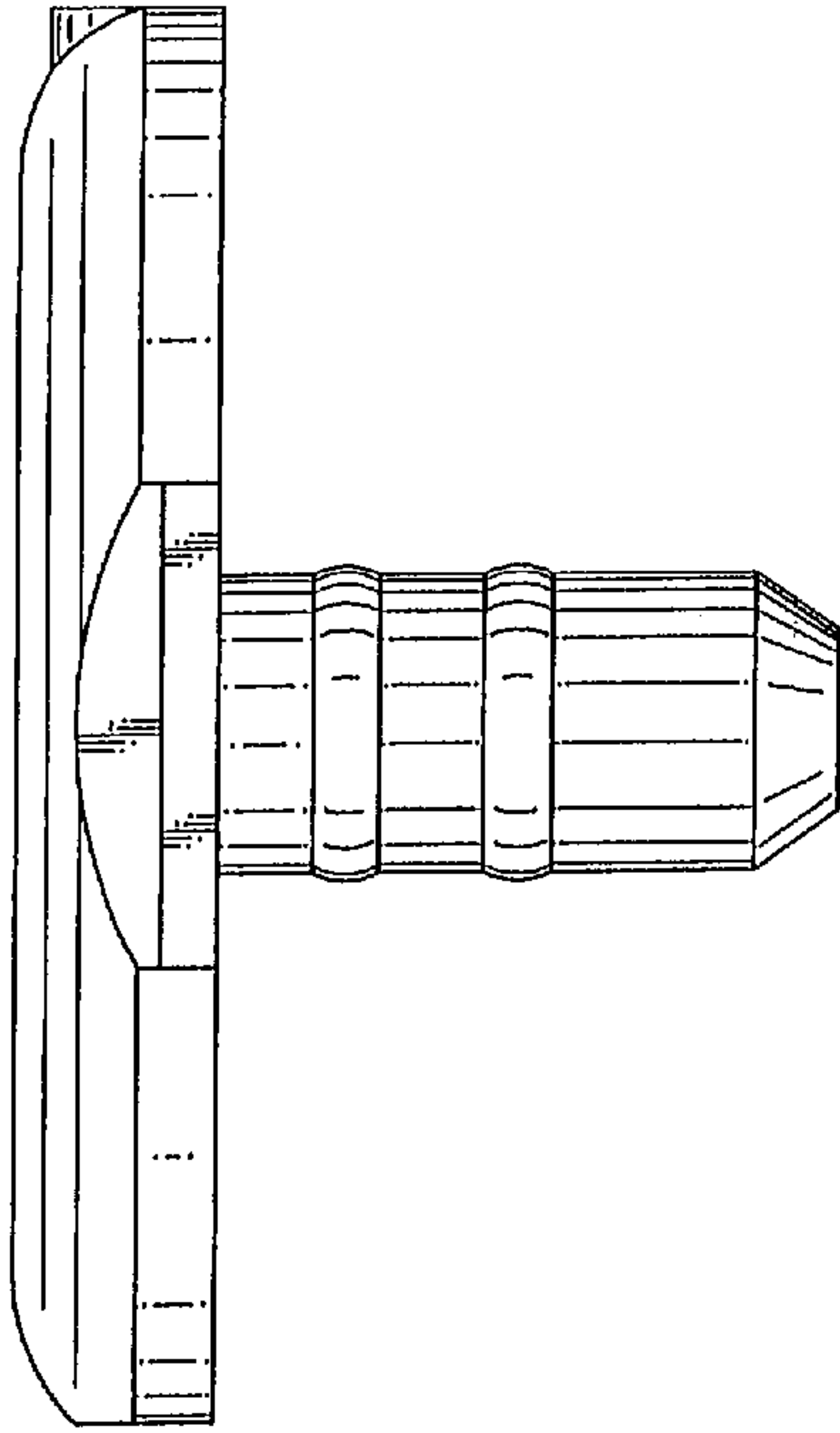


FIG. 12

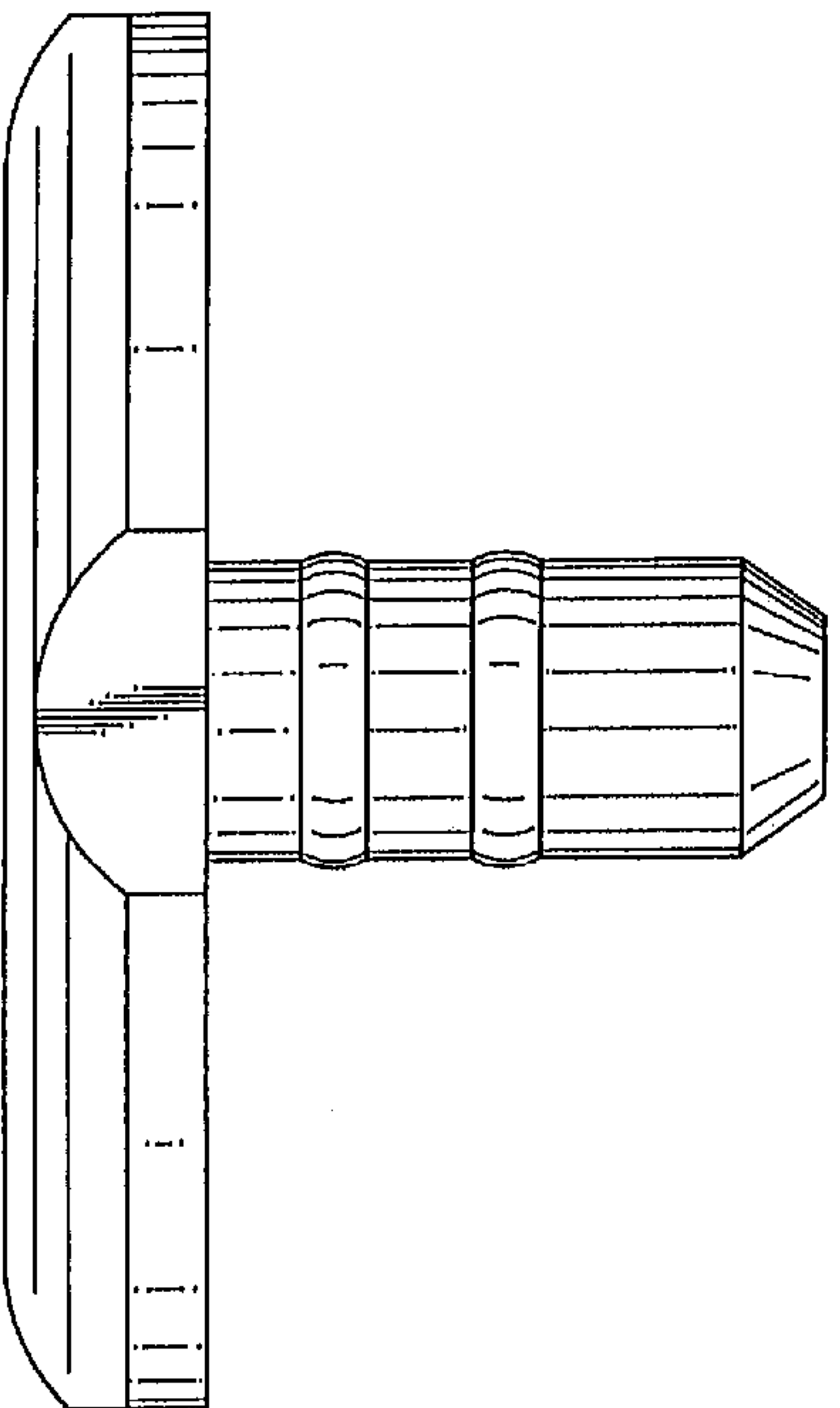


FIG. 14

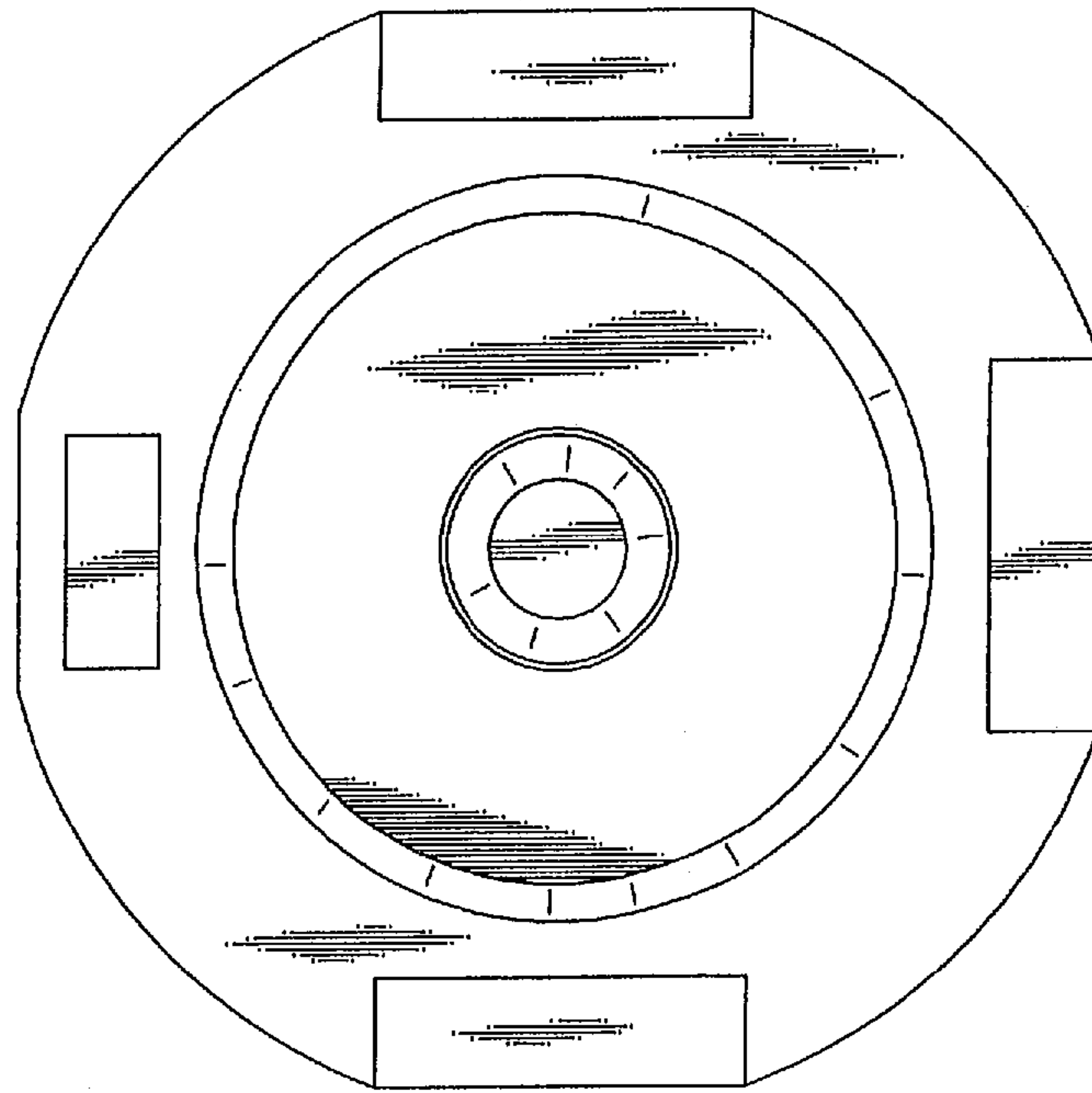


FIG. 13

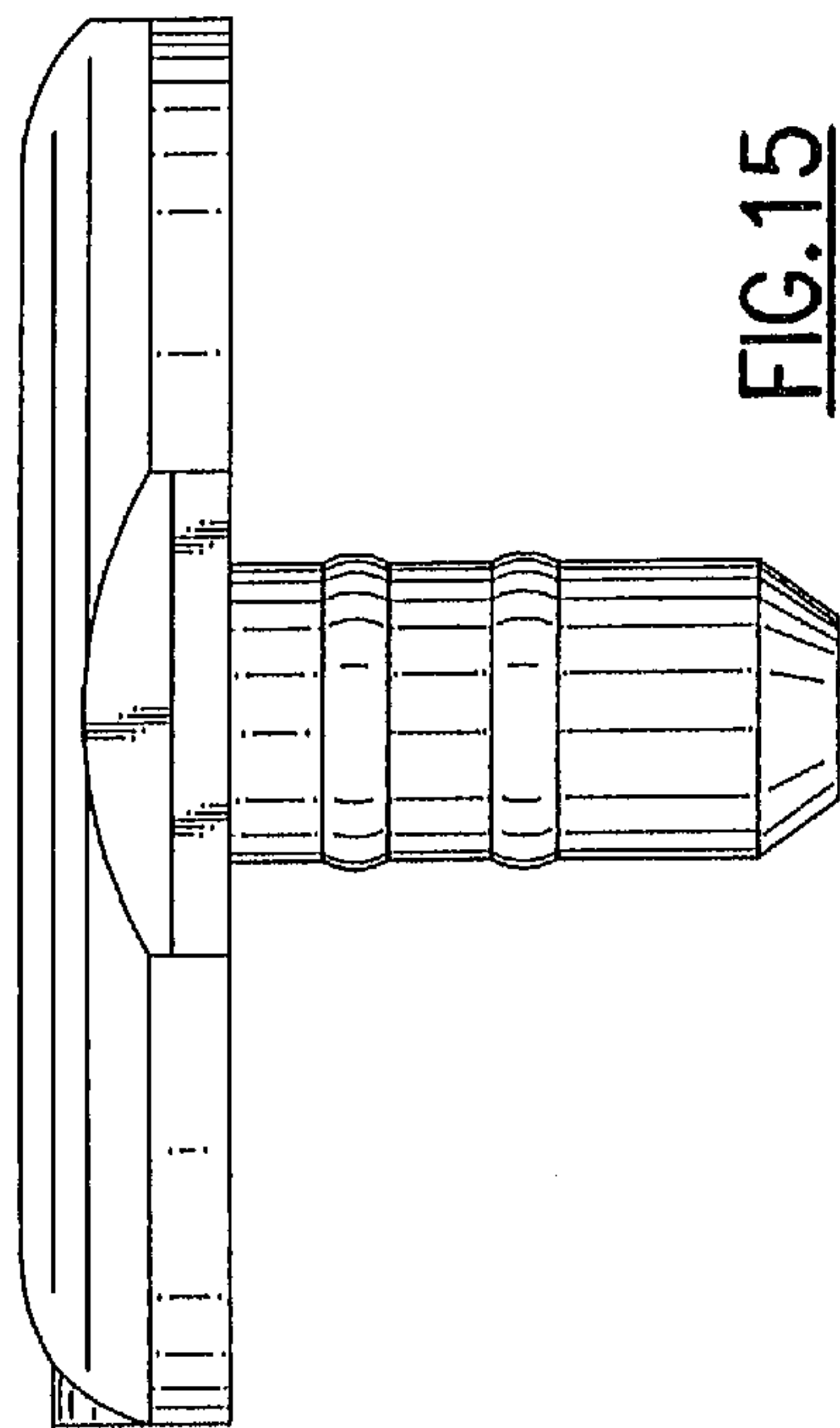


FIG. 15

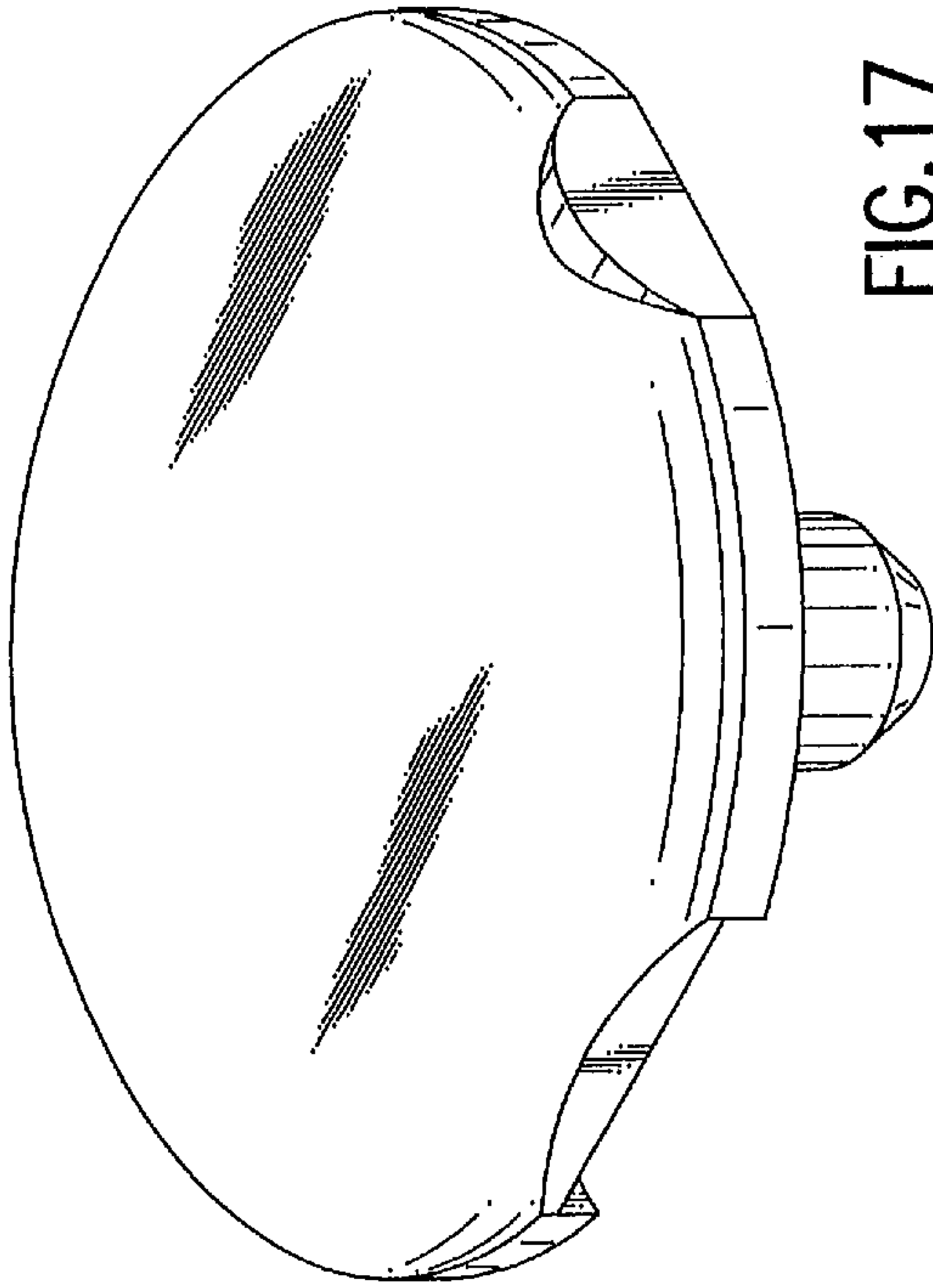


FIG. 17

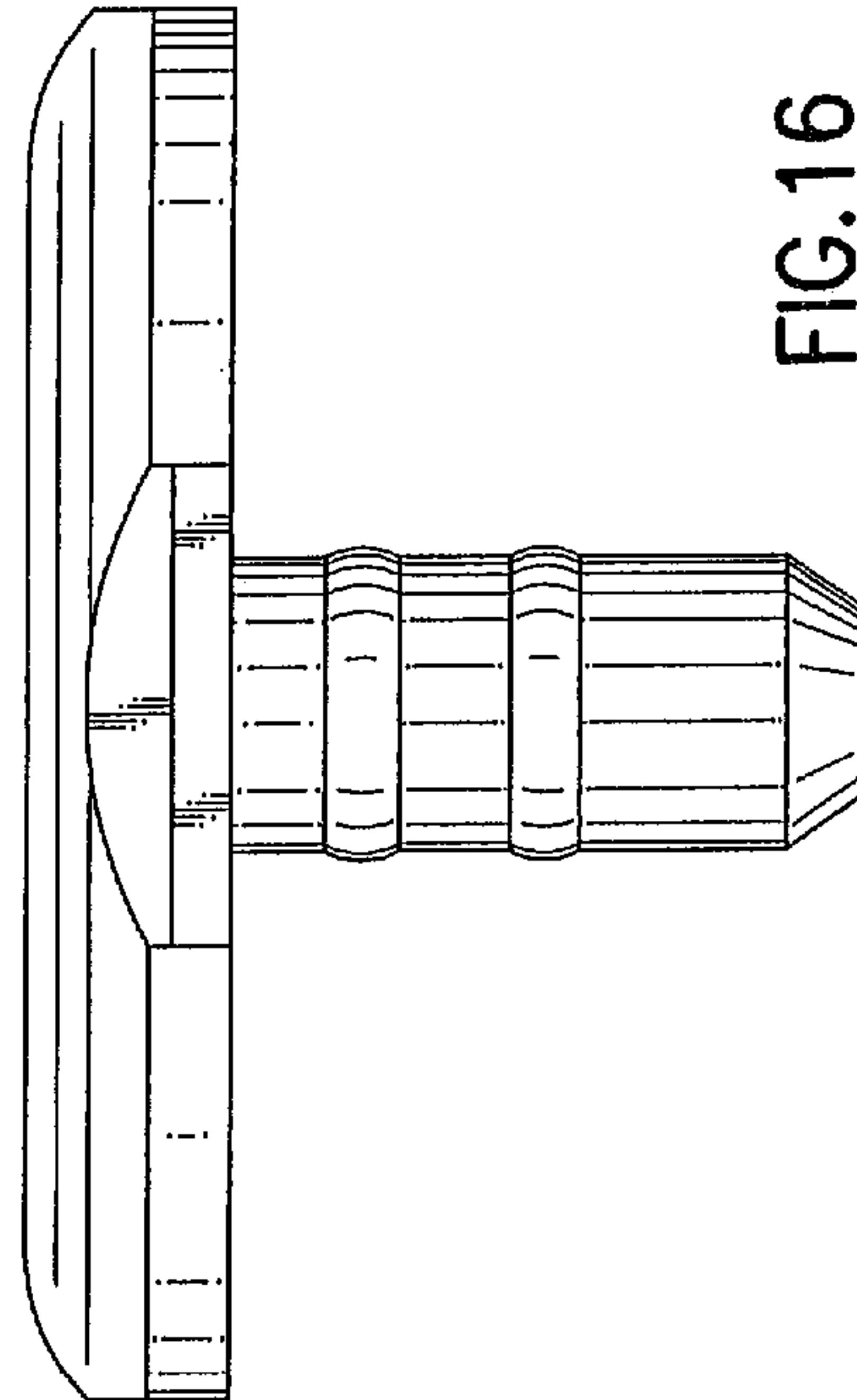


FIG. 16

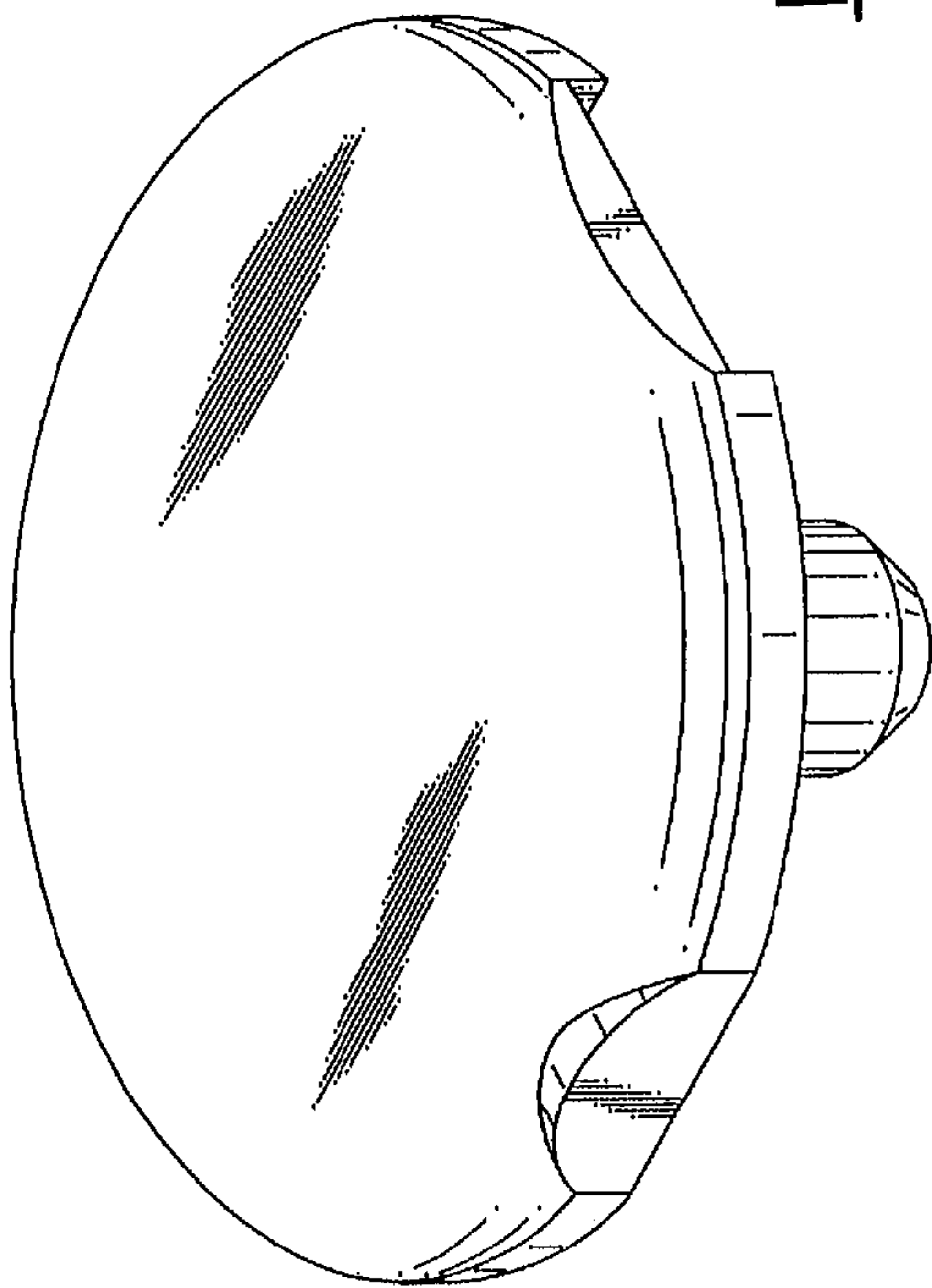


FIG. 18

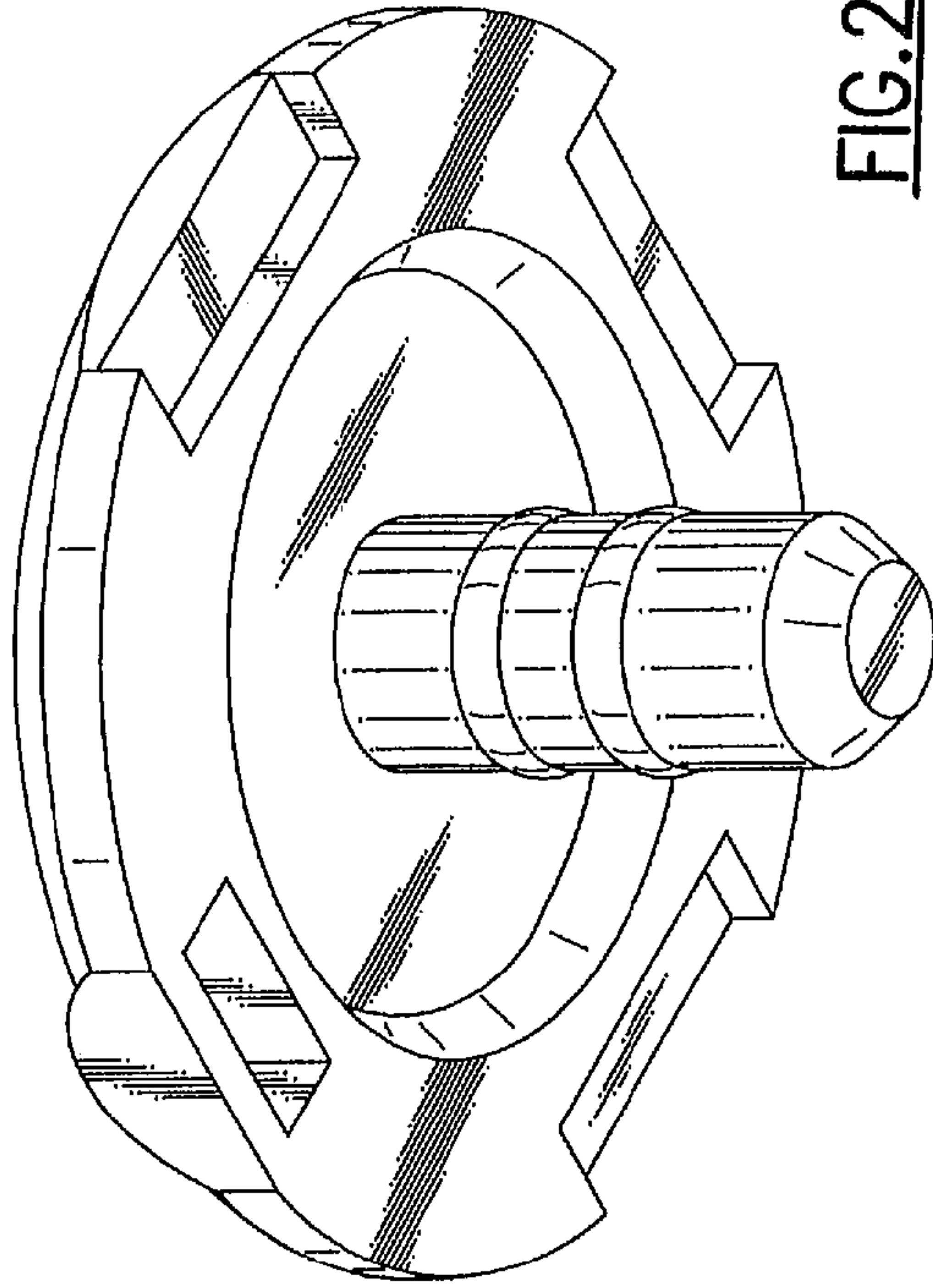


FIG. 20

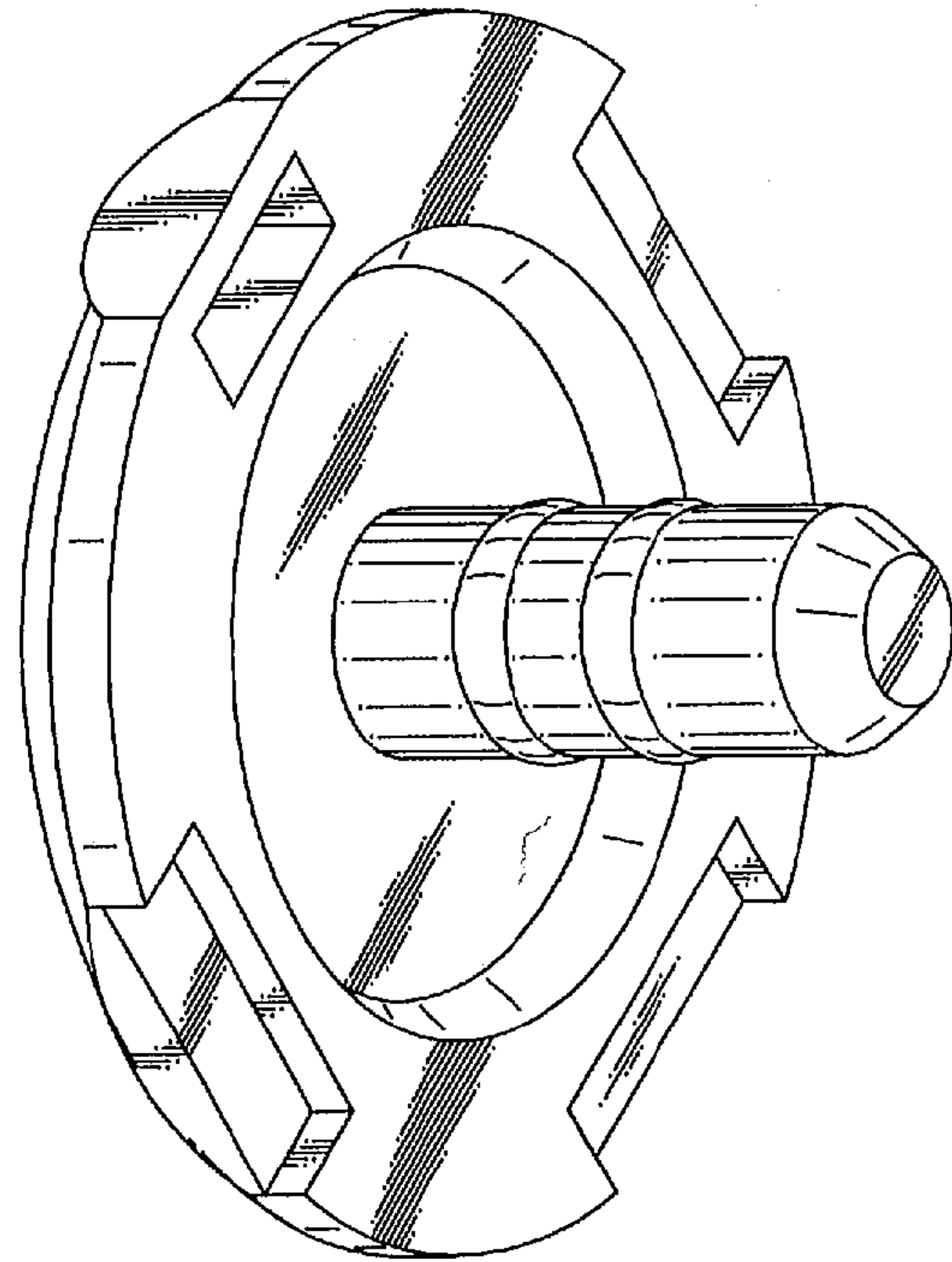


FIG. 19

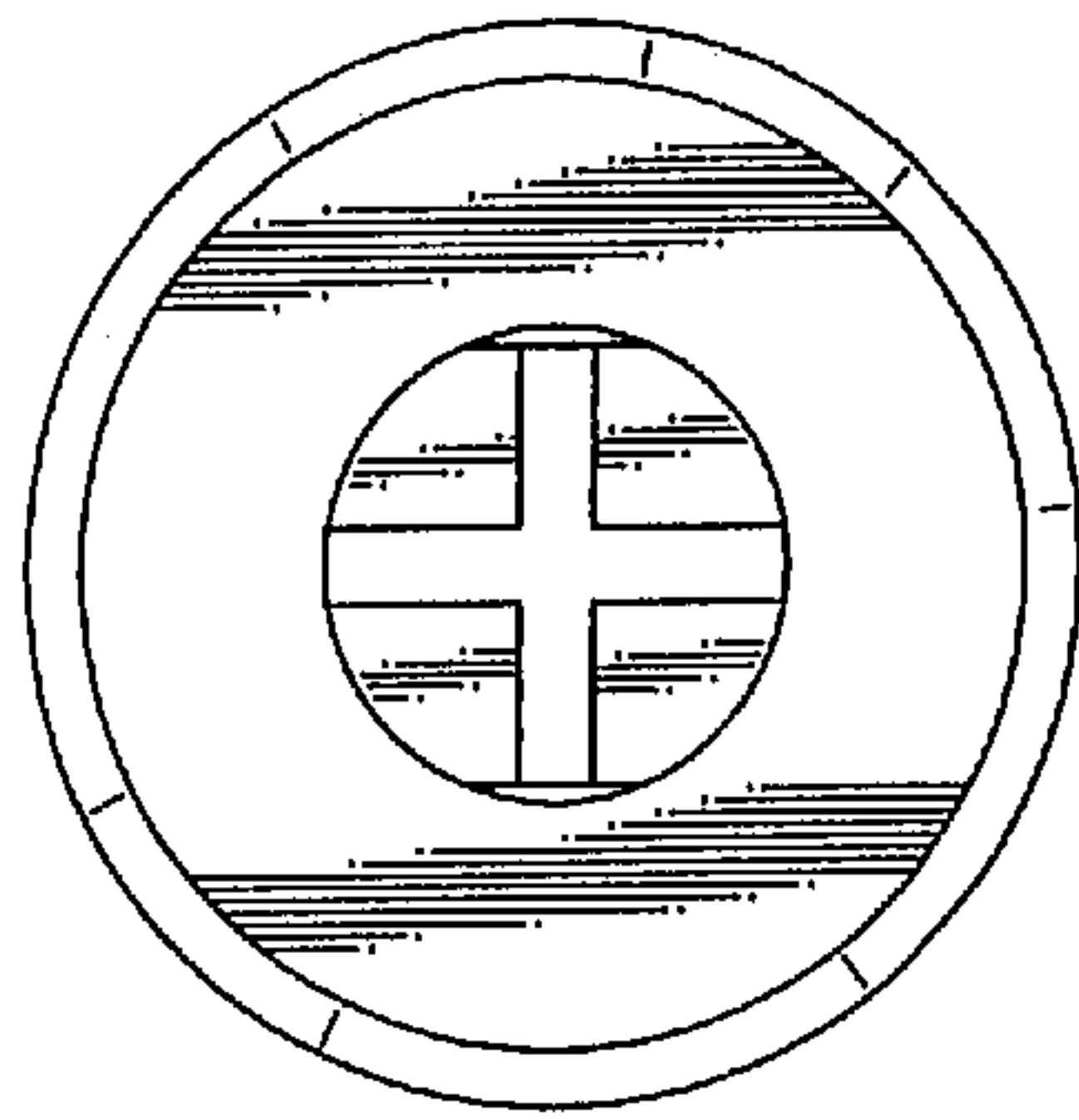


FIG. 21

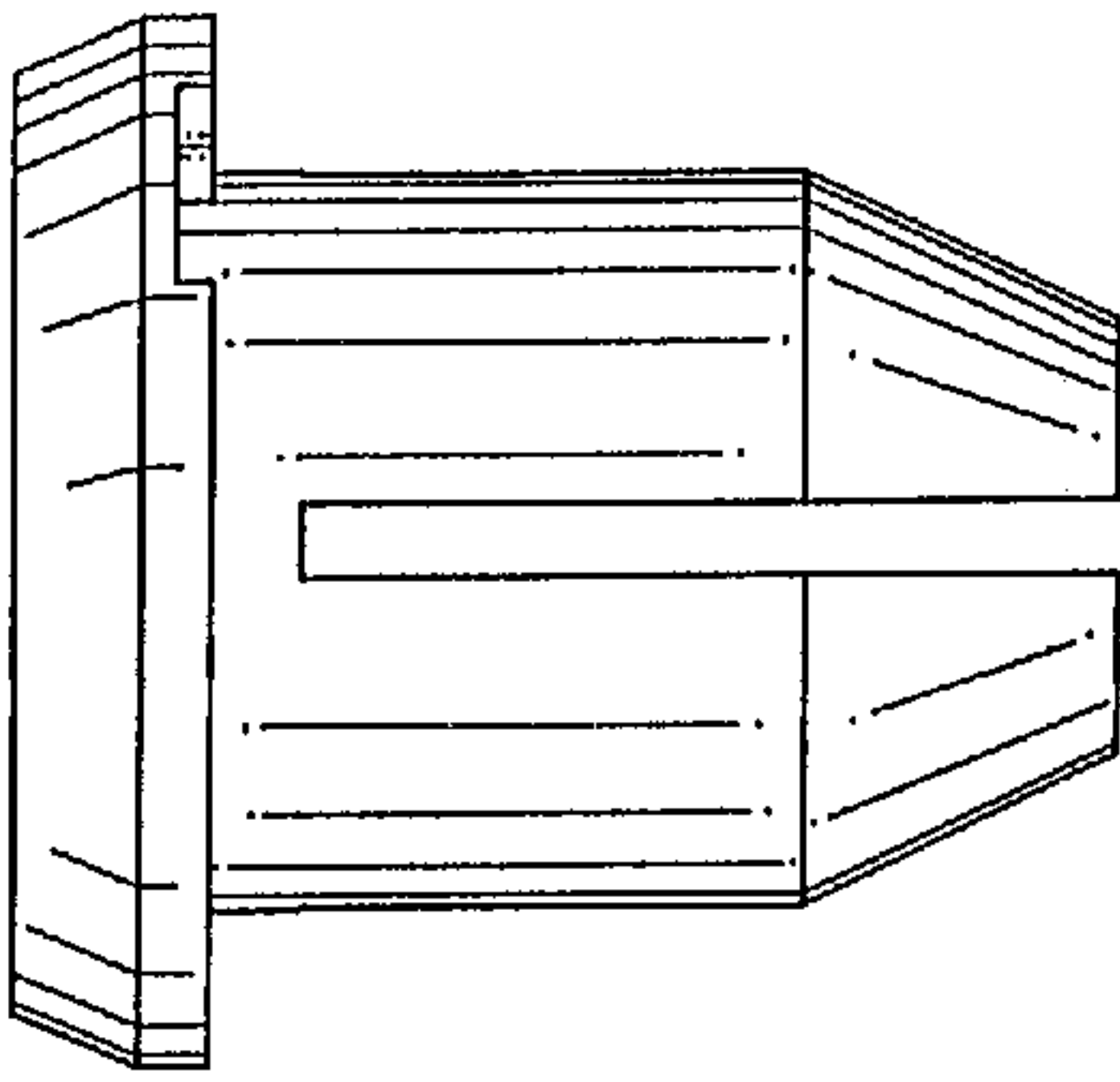


FIG. 22

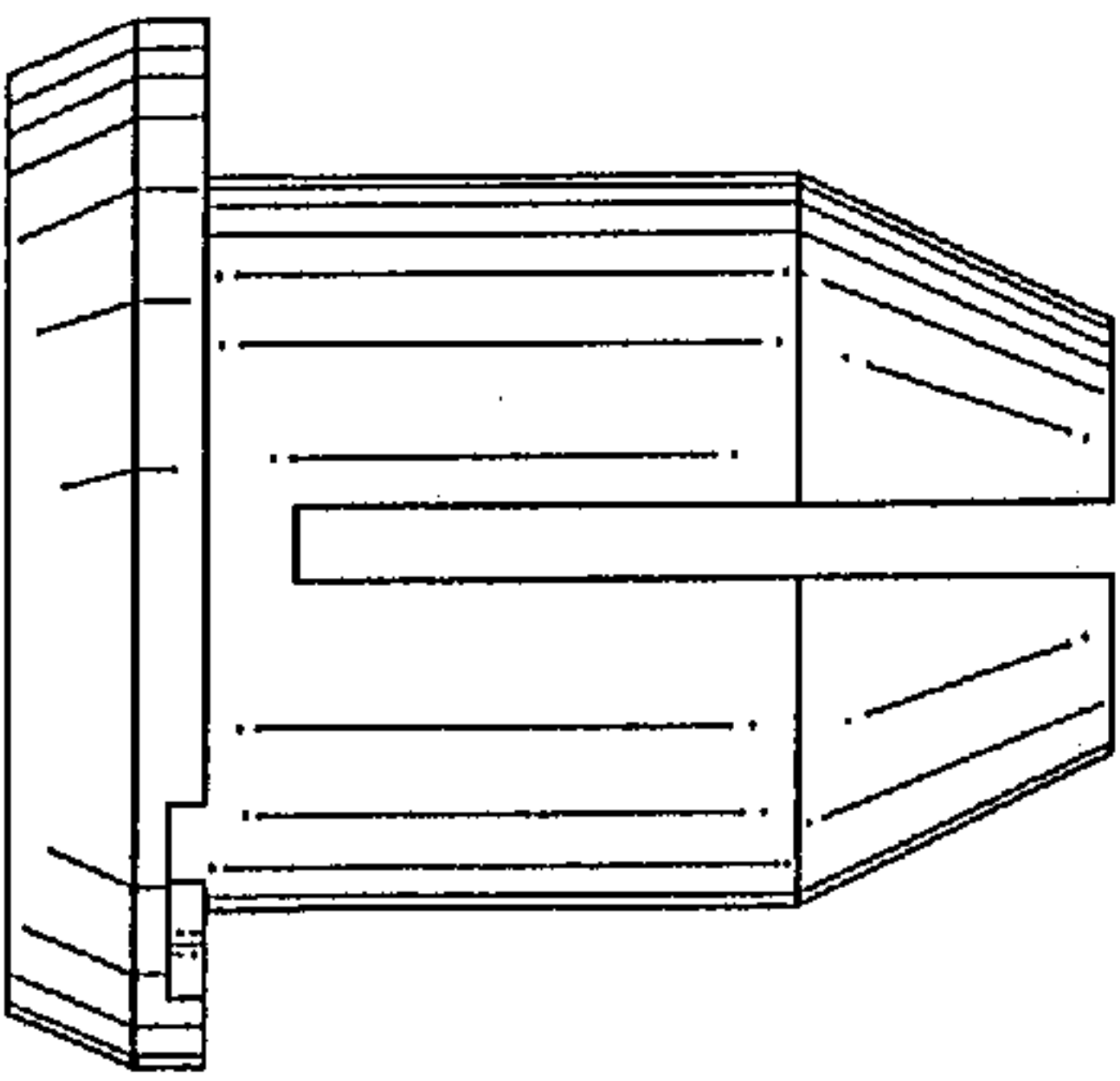


FIG. 24

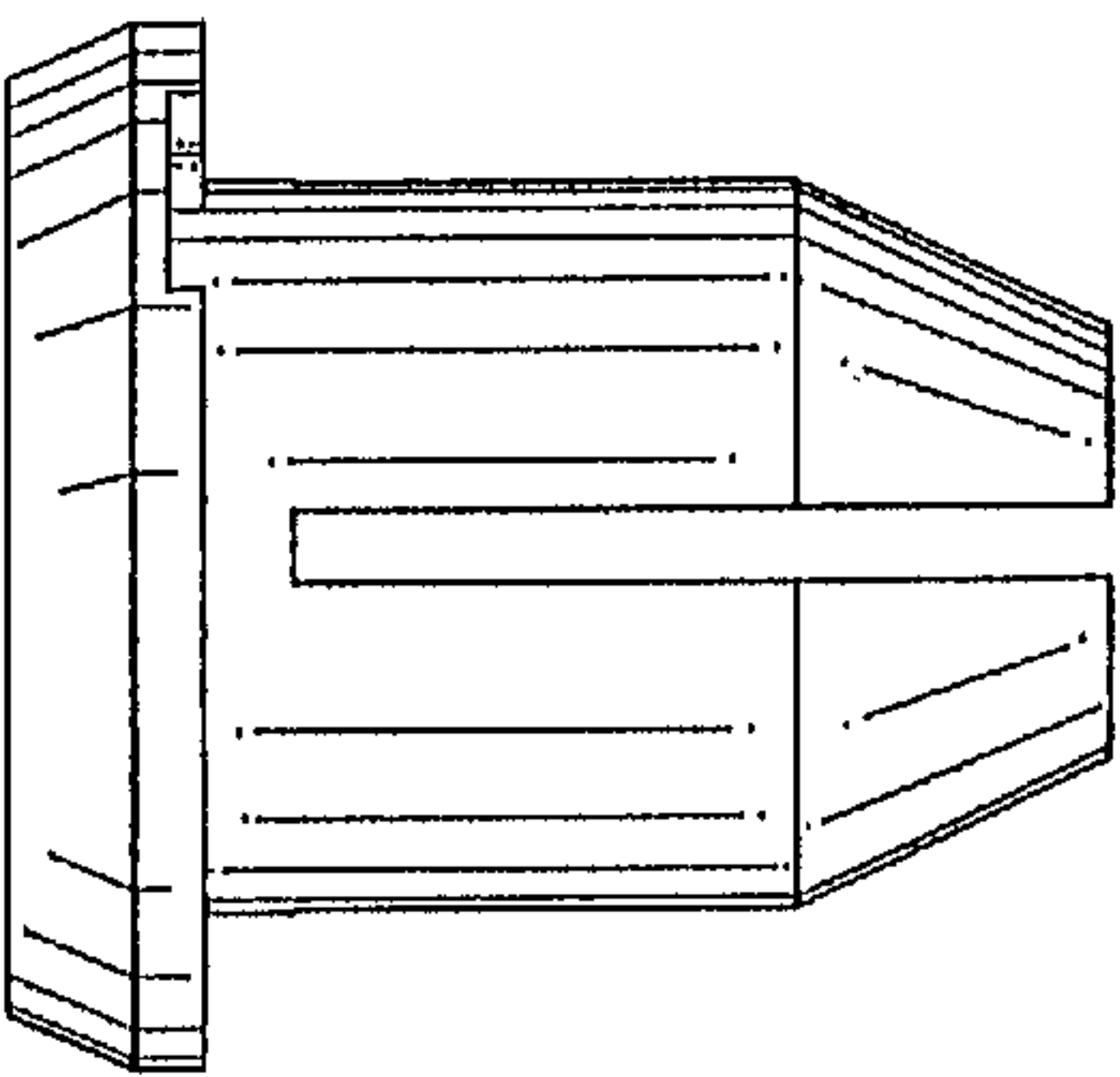


FIG. 26

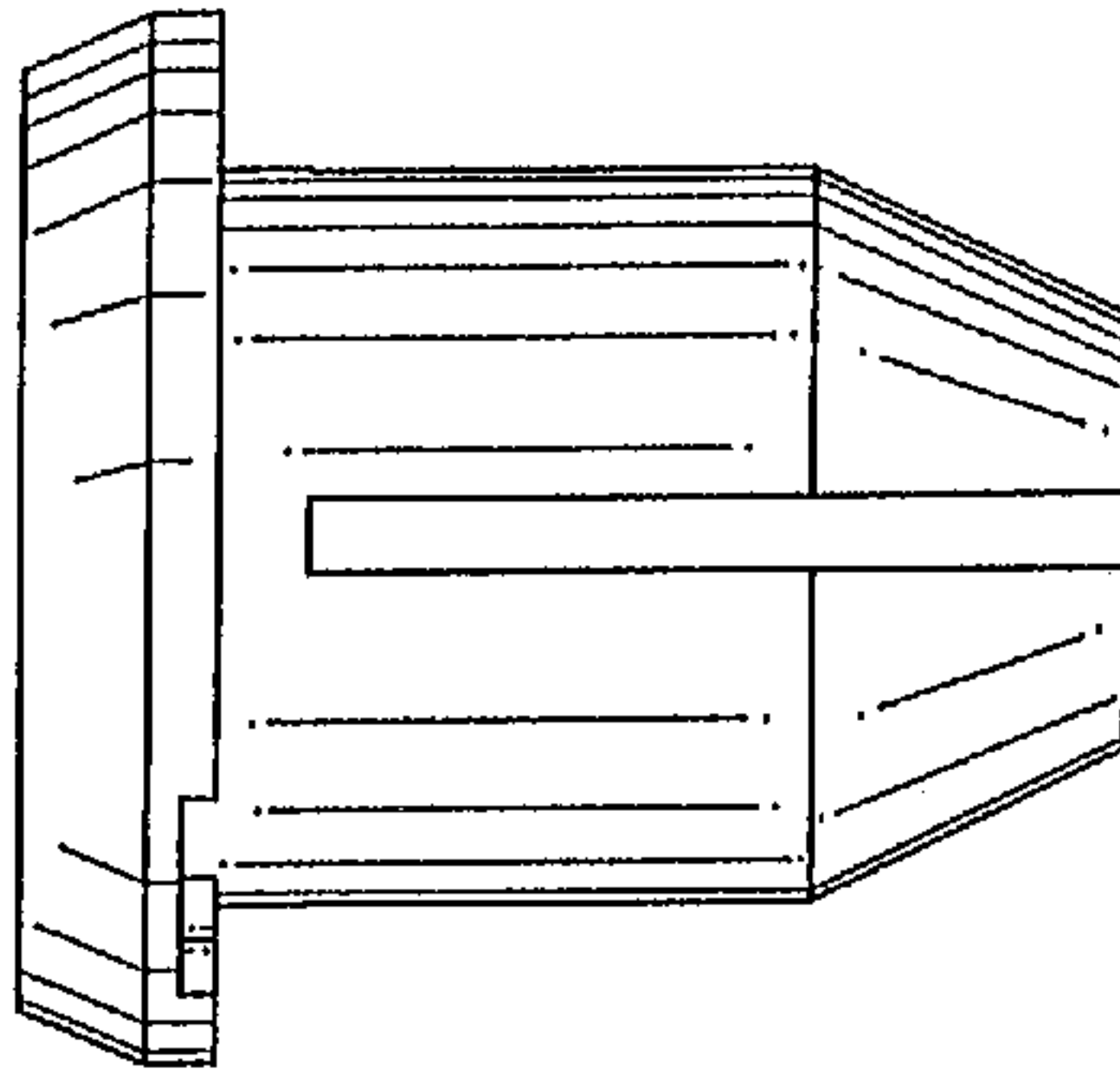


FIG. 25

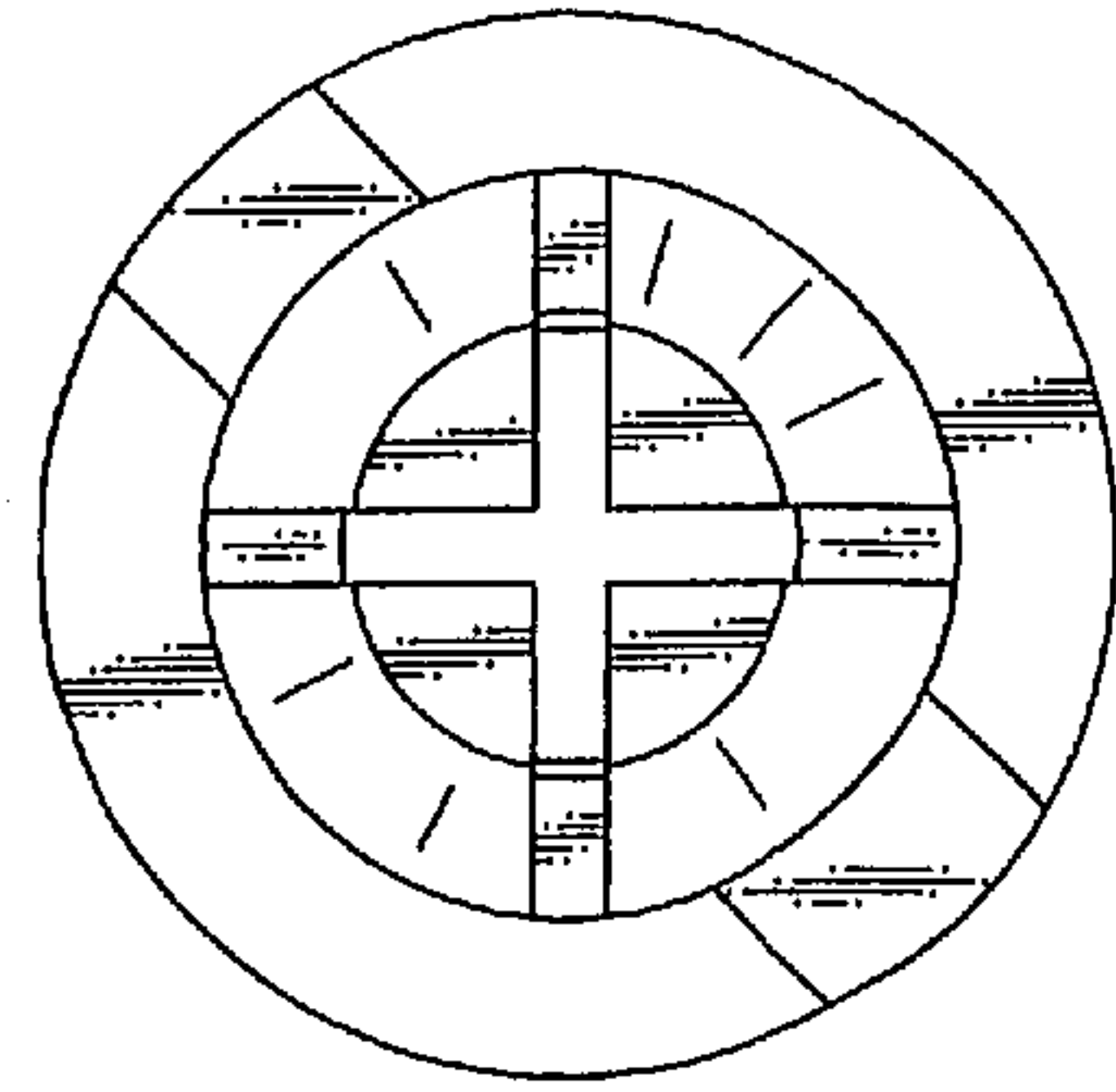


FIG. 23

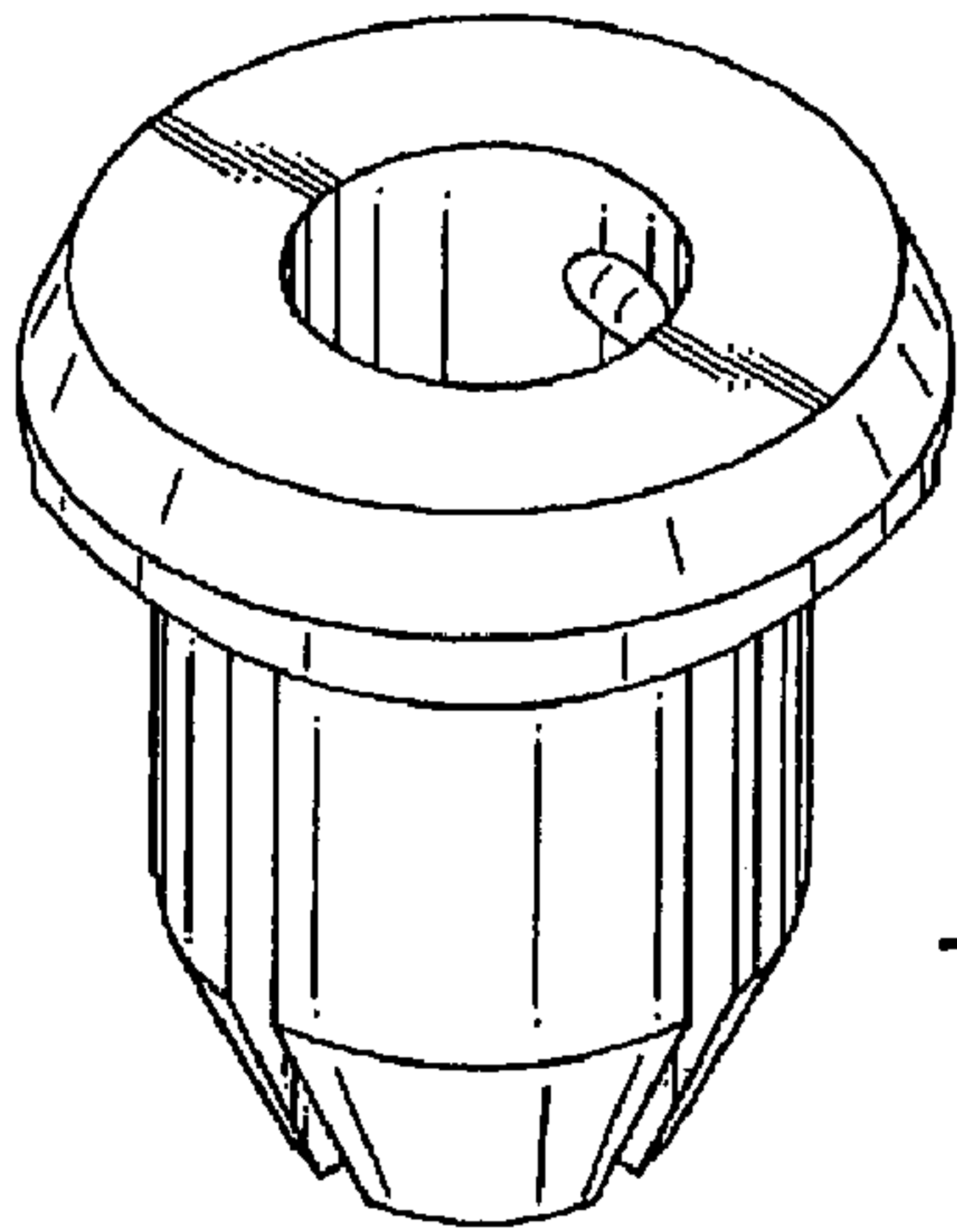


FIG. 27

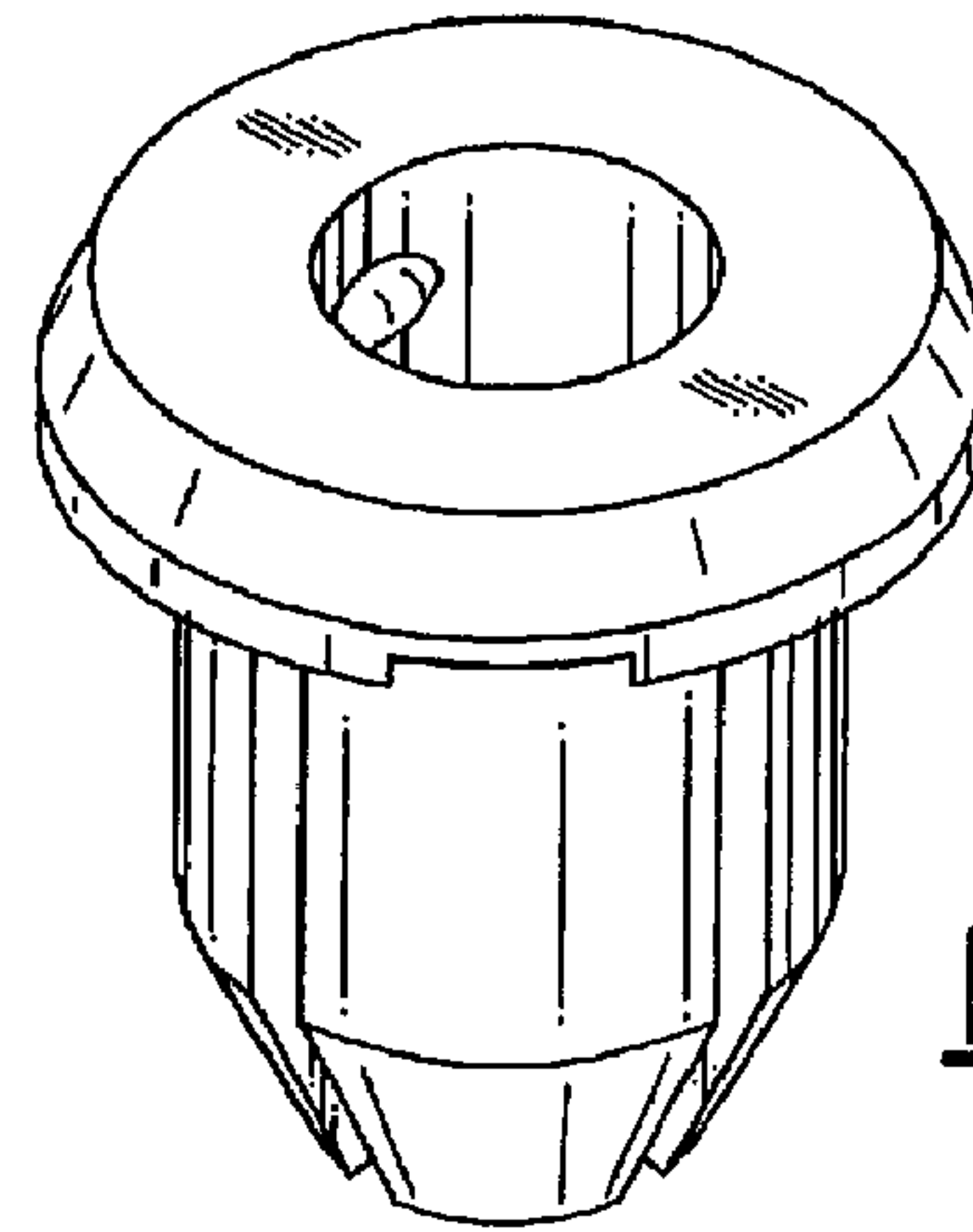


FIG. 28

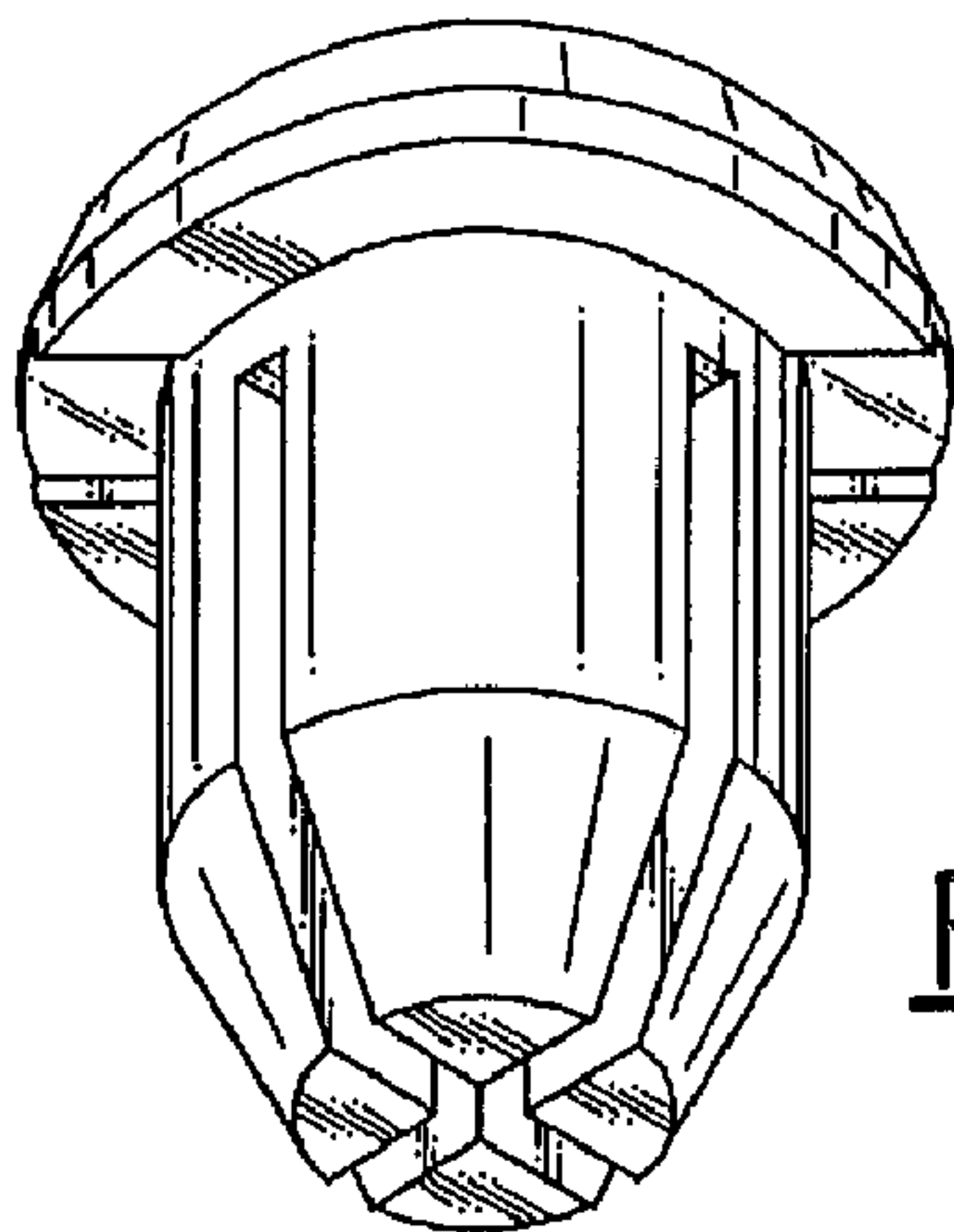


FIG. 29

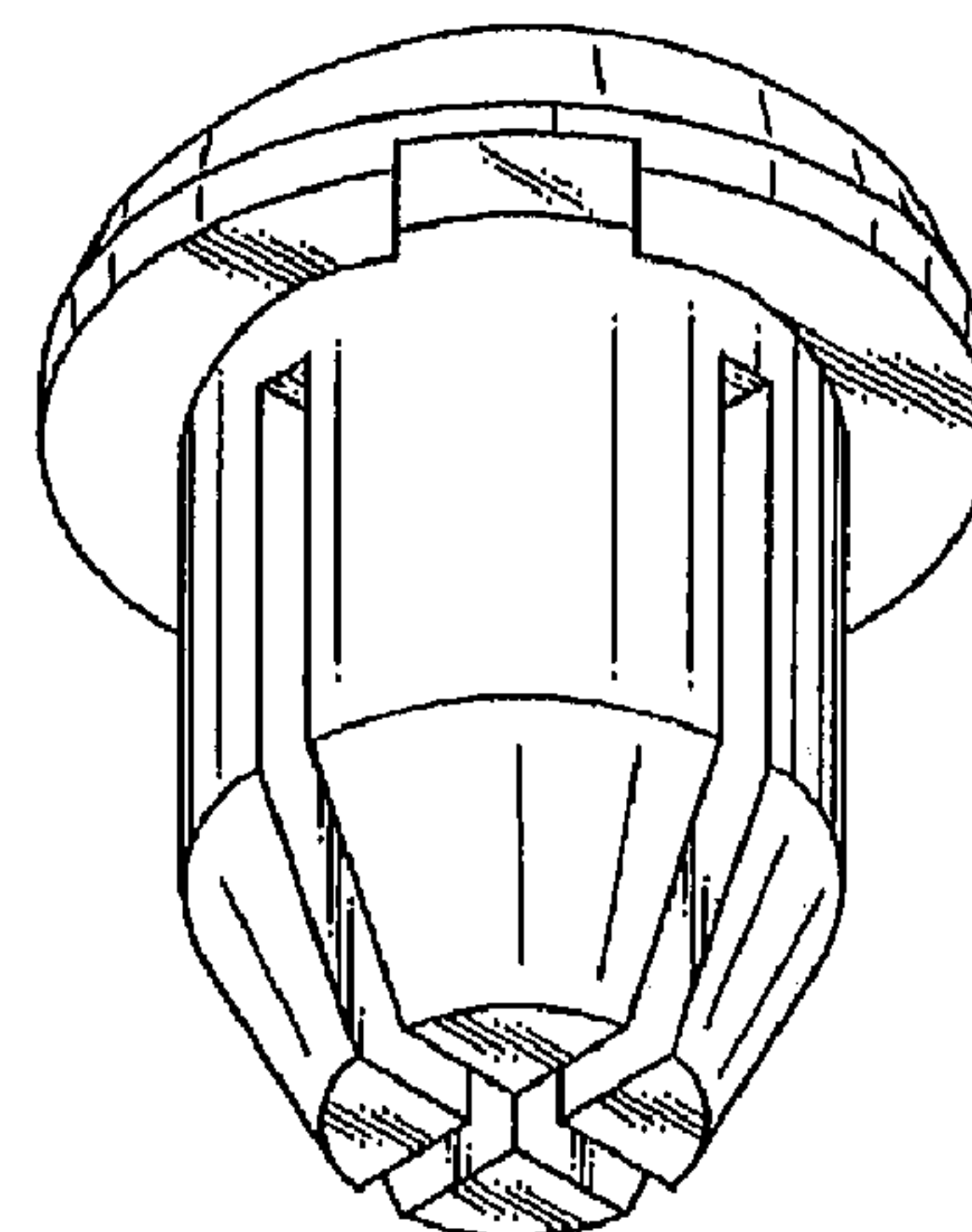


FIG. 30