

US00D636253S

(12) **United States Design Patent**
Hatcher et al.

(10) **Patent No.:** **US D636,253 S**

(45) **Date of Patent:** **** Apr. 19, 2011**

(54) **DECORATIVE HOSE REEL**

(75) Inventors: **Stephen Douglas Hatcher**, Camp Hill, PA (US); **Peter A. Arcati**, Dillsburg, PA (US)

(73) Assignee: **Ames True Temper, Inc.**, Camp Hill, PA (US)

(**) Term: **14 Years**

(21) Appl. No.: **29/337,471**

(22) Filed: **May 22, 2009**

(51) **LOC (9) Cl.** **08-06**

(52) **U.S. Cl.** **D8/356; D8/358**

(58) **Field of Classification Search** D8/105, D8/107, 333, 349, 354, 356, 358, 359, 360, D8/360.1, 367, 372, 373, 382, 383, 394-39, D8/400; D13/133, 139.1, 139.4, 153, 154, D13/155; 24/18, 20 W, 23 W, 115 R, 197, 24/561, 573.11, 581.12, 582.13, 583.1; 52/220.7; 174/66, 135, 153 G, 650, 656; 242/400.1, 242/405.1, 405.2, 600, 603; 248/65, 74.1-74.4, 248/75, 201, 214, 215, 229.26; 211/86.01, 211/87.01, 94.01; 600/585

See application file for complete search history.

(56) **References Cited**

U.S. PATENT DOCUMENTS

D29,104 S *	7/1898	Donner	D8/358
3,942,741 A *	3/1976	Hussar et al.	242/118.7
D341,770 S *	11/1993	Spear et al.	D8/359
D349,039 S *	7/1994	Goodman et al.	D8/359
D351,333 S	10/1994	Nelson et al.		
D390,449 S *	2/1998	Whitehead et al.	D8/359
D393,409 S *	4/1998	Azzarello	D8/356
D400,083 S *	10/1998	Bodine	D8/359

6,533,216 B1 *	3/2003	Bumgarner et al.	242/603
D474,396 S *	5/2003	Tisbo et al.	D8/356
D483,248 S *	12/2003	Roman	D8/359
6,783,093 B2 *	8/2004	Limber	242/405.2
D505,313 S	5/2005	Hart		
D551,061 S *	9/2007	English et al.	D8/359
D554,480 S *	11/2007	Richwine et al.	D8/359
D554,984 S *	11/2007	Stenberg	D8/499
D556,023 S *	11/2007	Reeder et al.	D8/358
D557,118 S *	12/2007	Linginfelter	D8/358
D559,085 S *	1/2008	Yu	D8/358
D582,754 S *	12/2008	Stein	D8/358
D582,755 S *	12/2008	Rogers et al.	D8/358
D604,020 S *	11/2009	Blaszczak et al.	D34/14

* cited by examiner

Primary Examiner — T. Chase Nelson

Assistant Examiner — Karen Acker

(74) *Attorney, Agent, or Firm* — Eckert Seamans Cherin & Mellott, LLC; David C. Jenkins, Esquire

(57) **CLAIM**

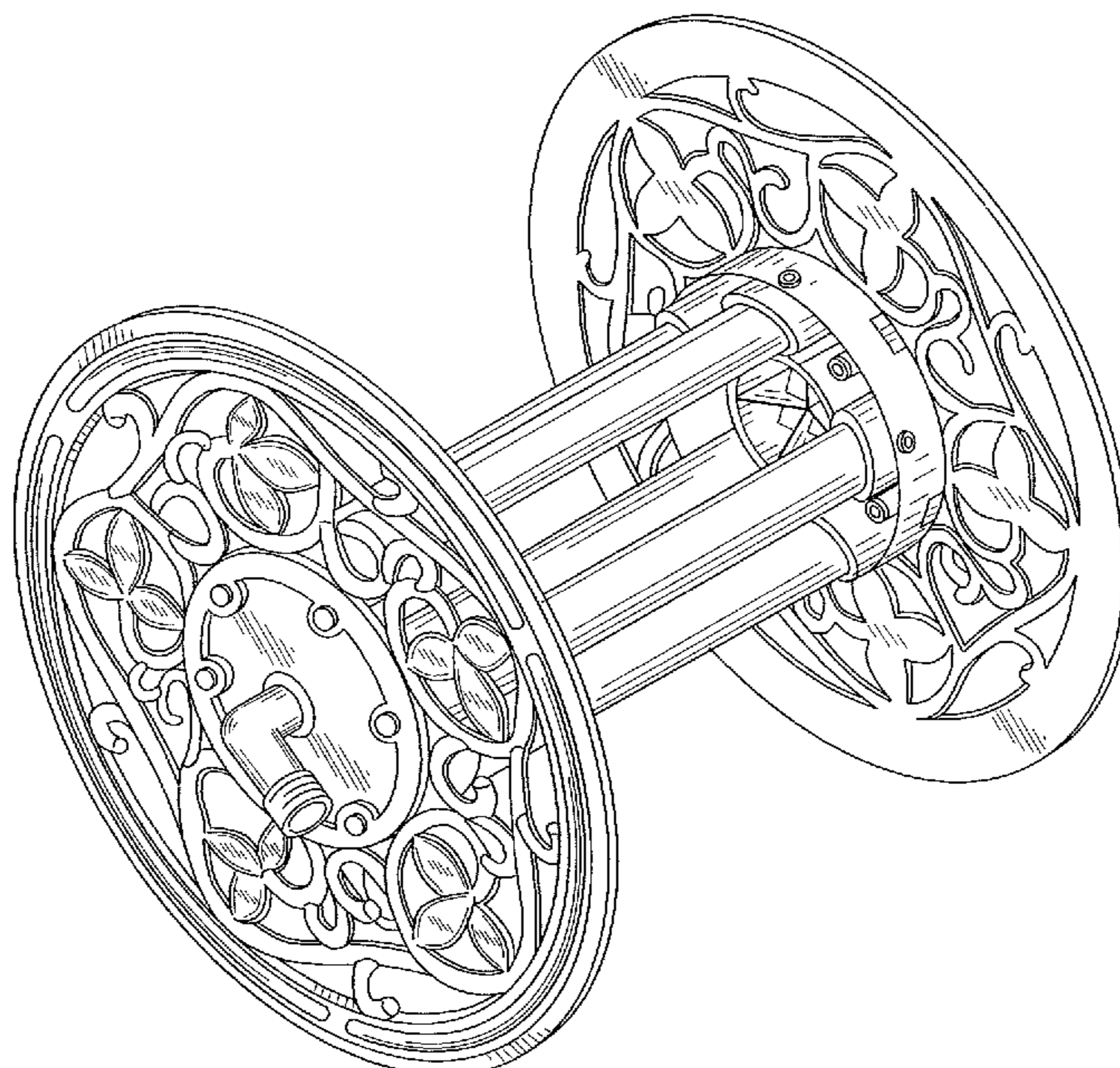
The ornamental design for a decorative hose reel, as shown and described.

DESCRIPTION

FIG. 1 is an isometric view of a decorative hose reel; FIG. 2 is a right side view of a decorative hose reel; FIG. 3 is a left side view of a decorative hose reel; FIG. 4 is a top side view of a decorative hose reel; FIG. 5 is a bottom side view of a decorative hose reel; FIG. 6 is a front side view of a decorative hose reel; FIG. 7 is a back side view of a decorative hose reel; and, FIG. 8 is another isometric view of a decorative hose reel shown in a position of use.

It is noted that the phantom lines depicted in the drawing figures represent unclaimed environmental subject matter.

1 Claim, 7 Drawing Sheets



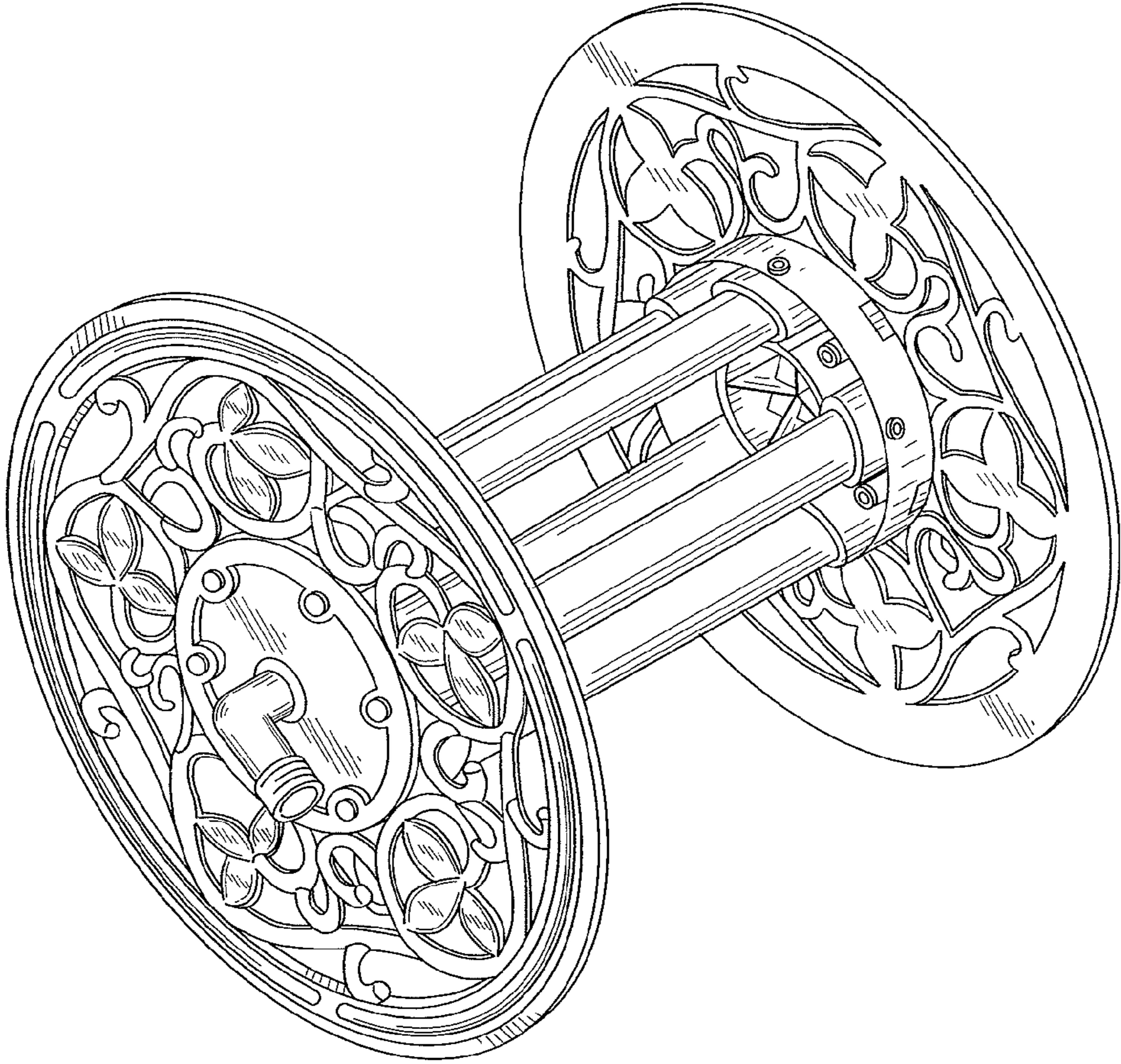


FIG. 1



FIG. 2

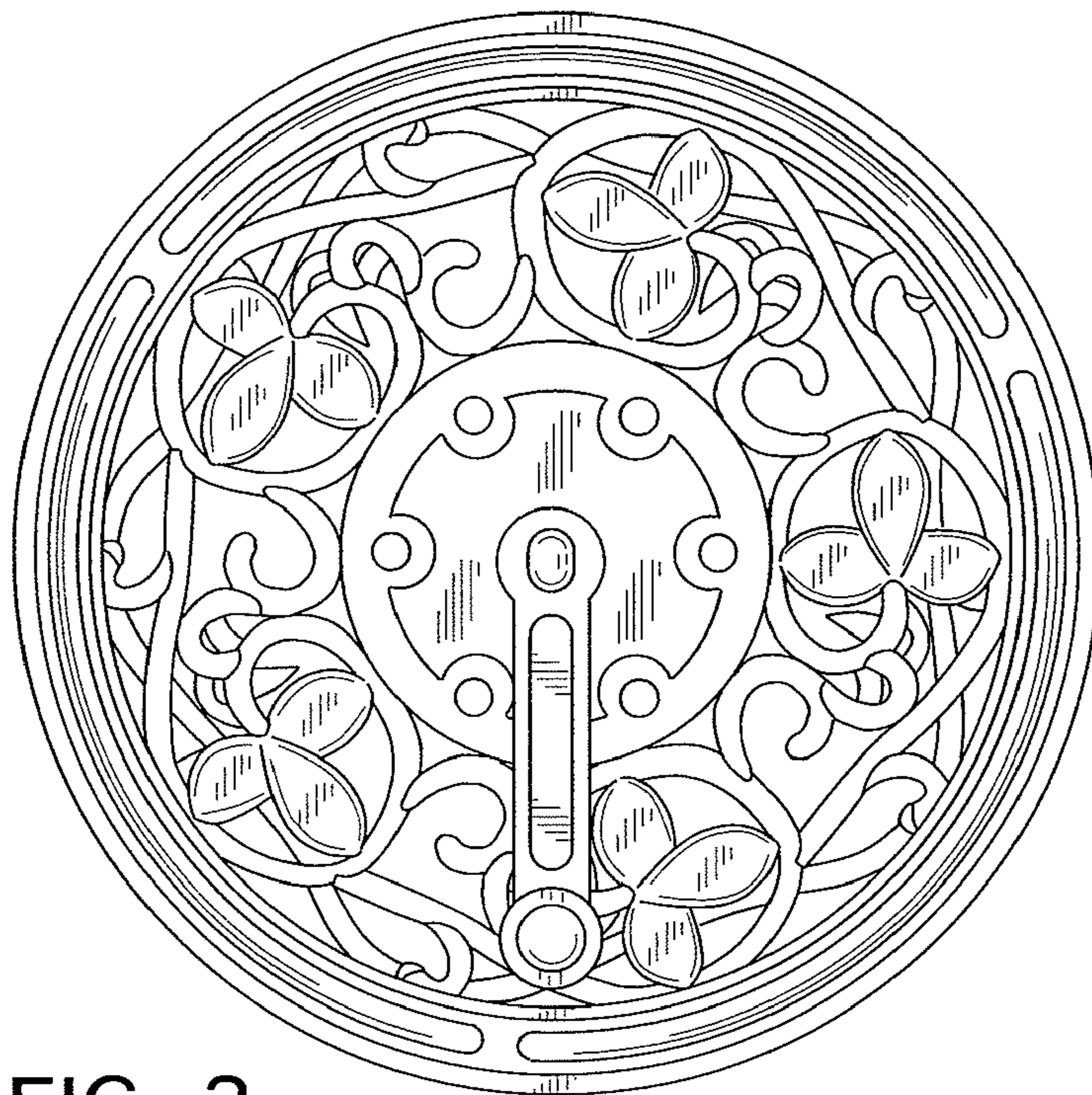


FIG. 3

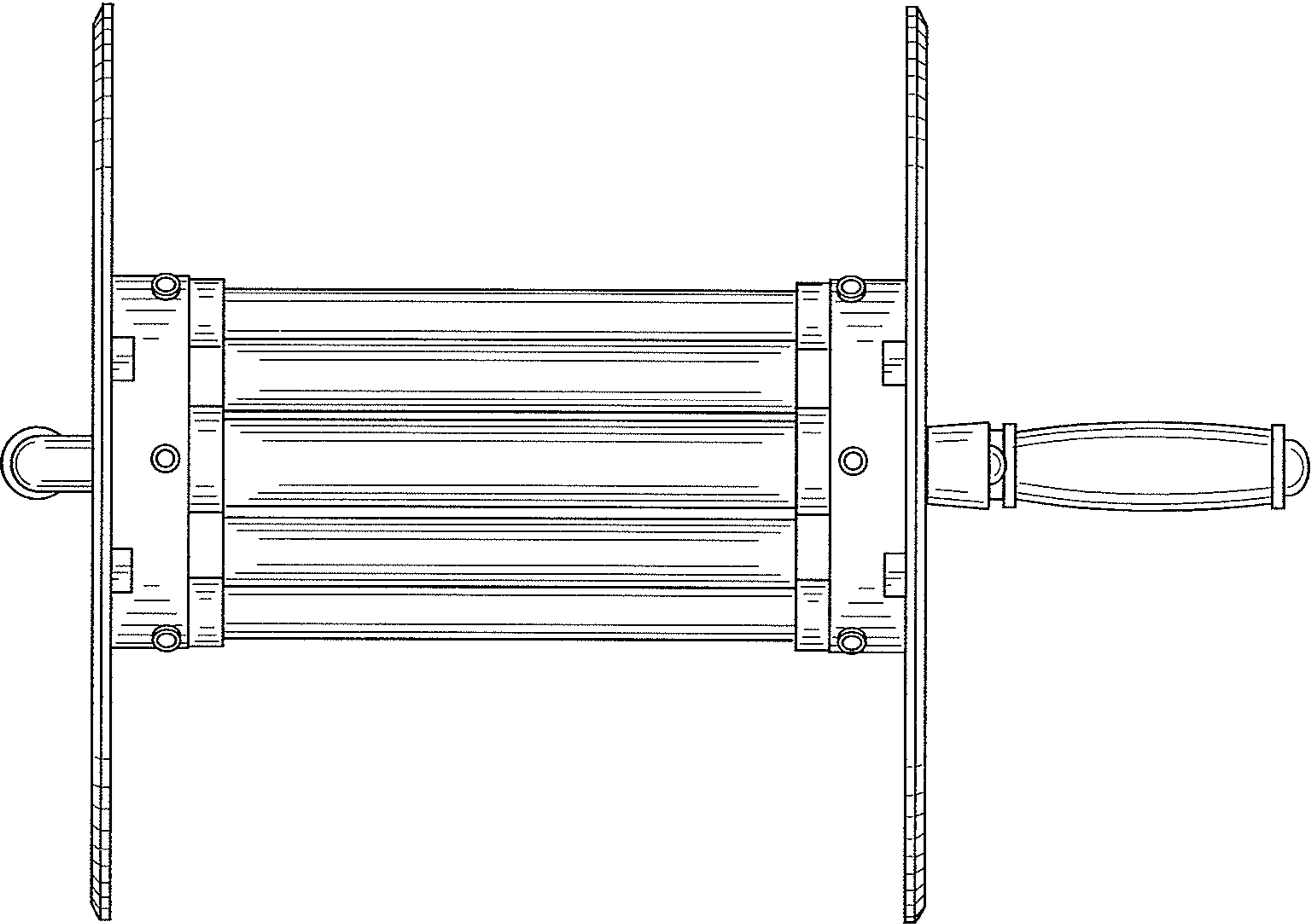


FIG. 4

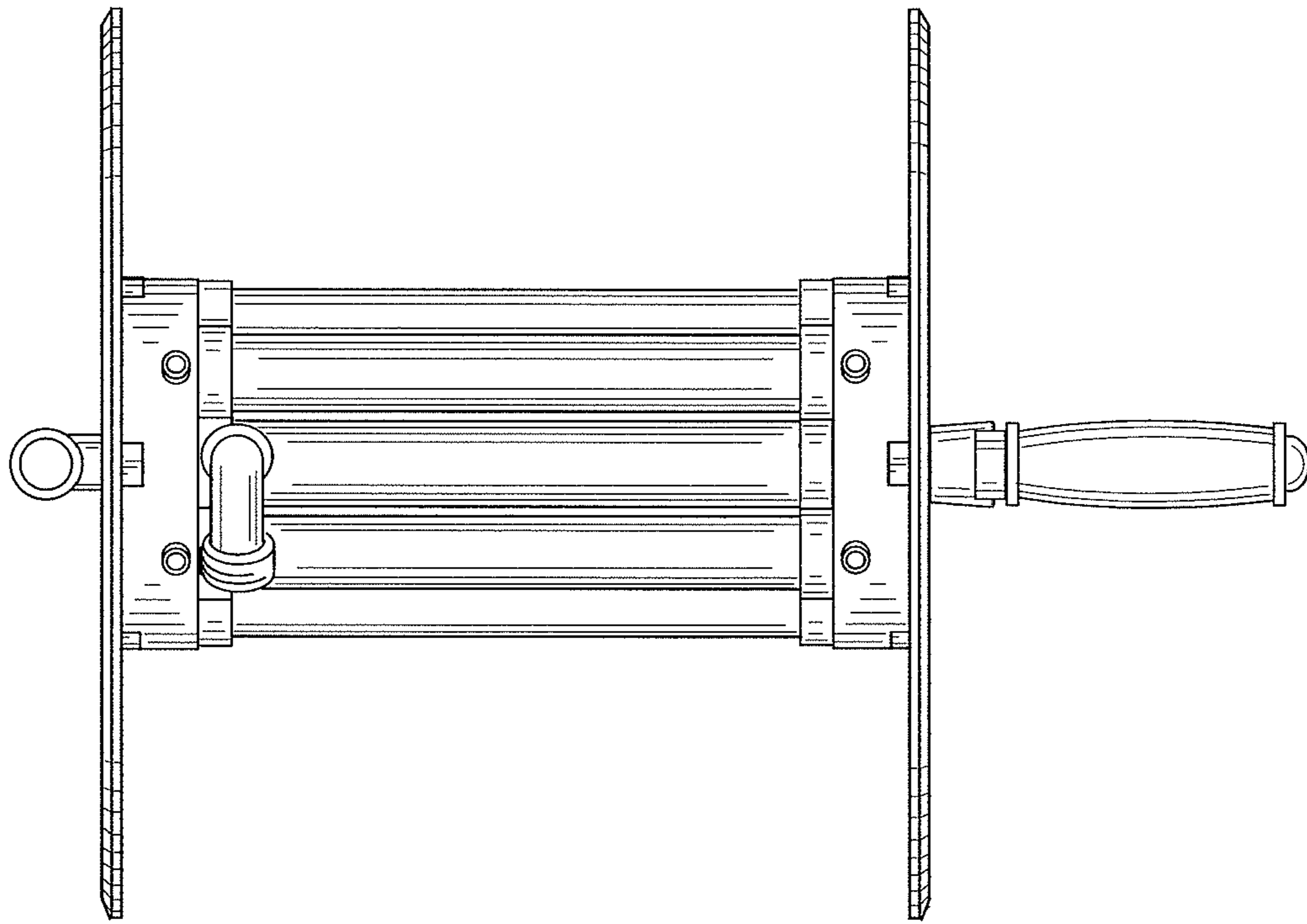


FIG. 5

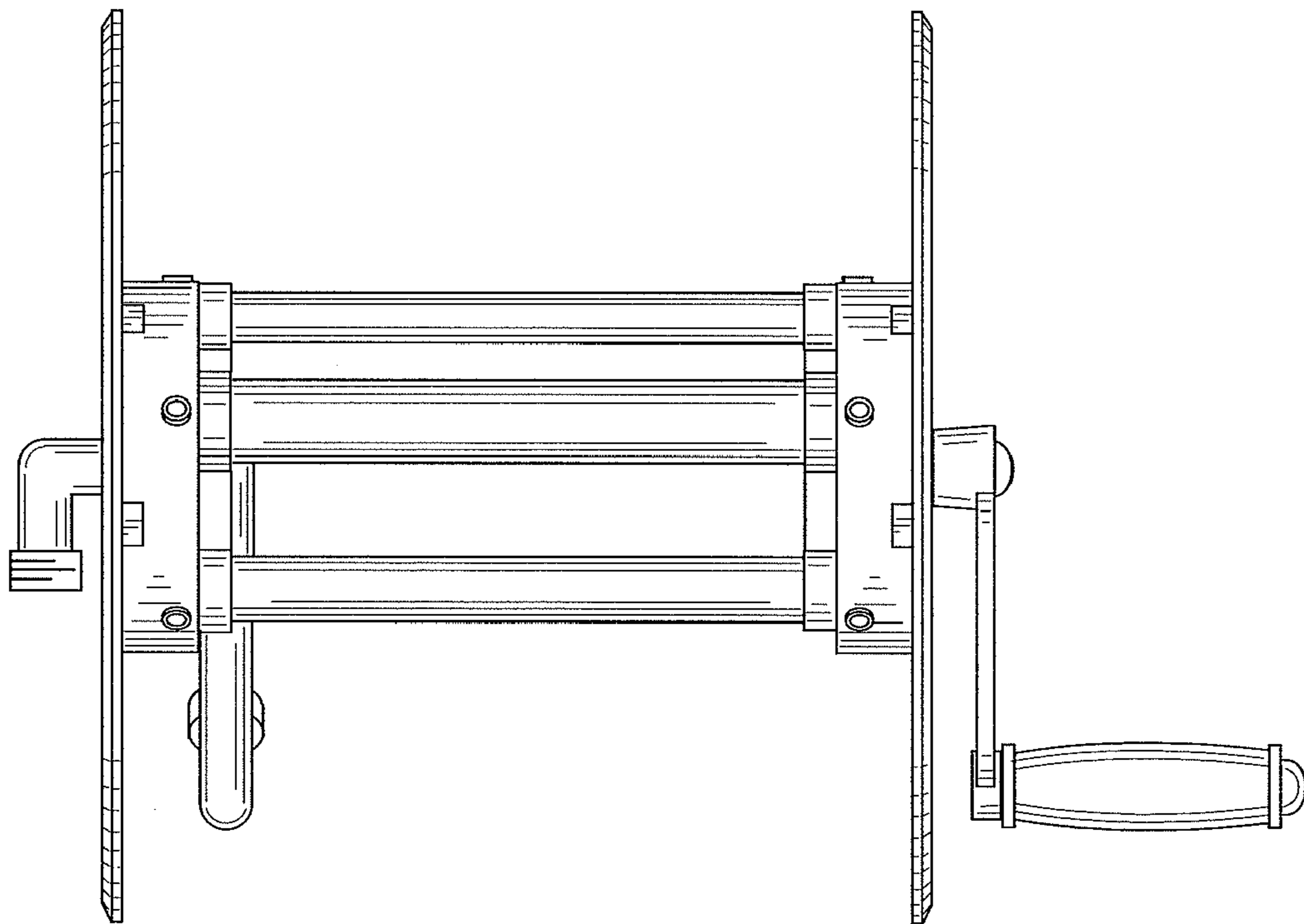


FIG. 6

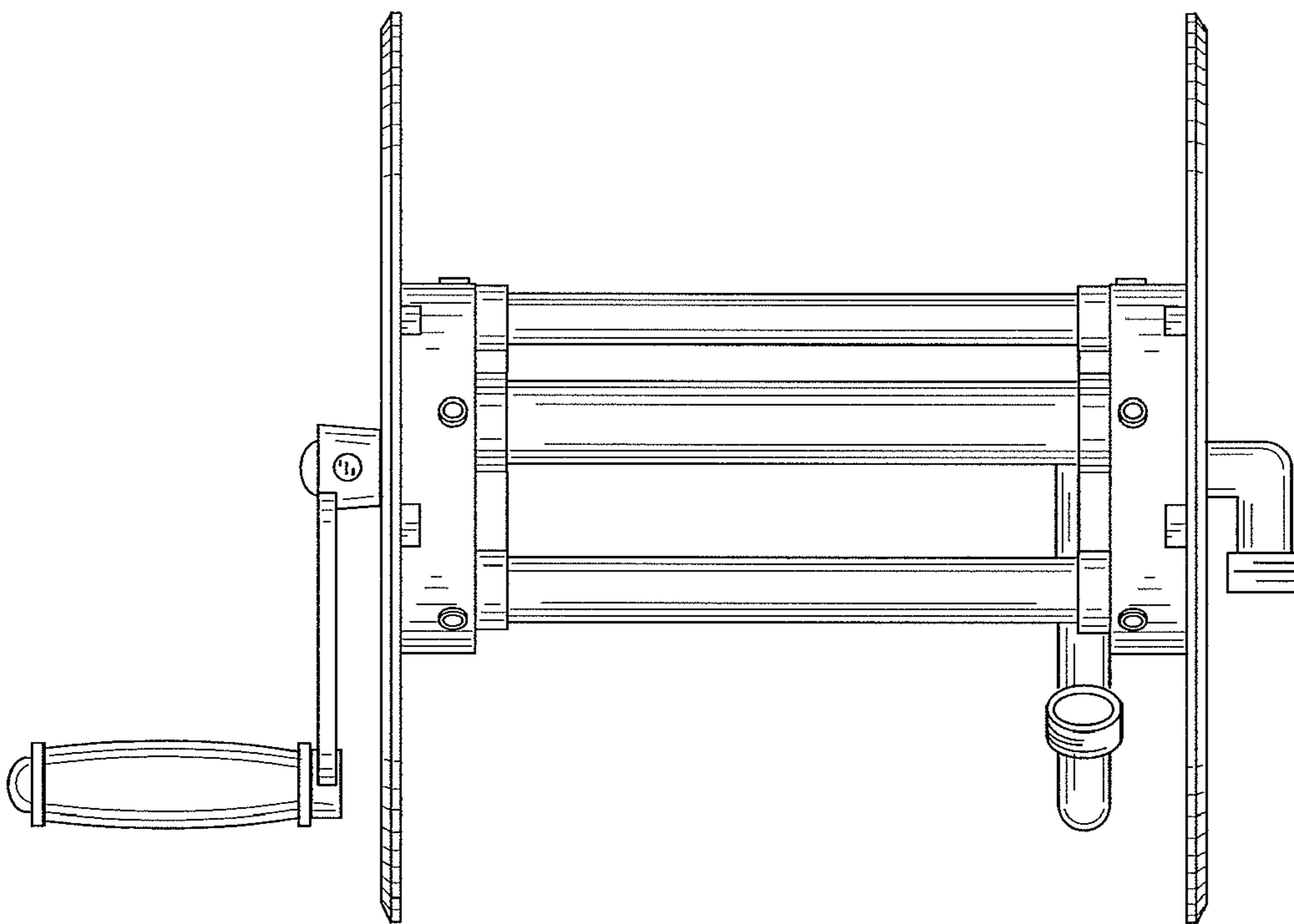


FIG. 7

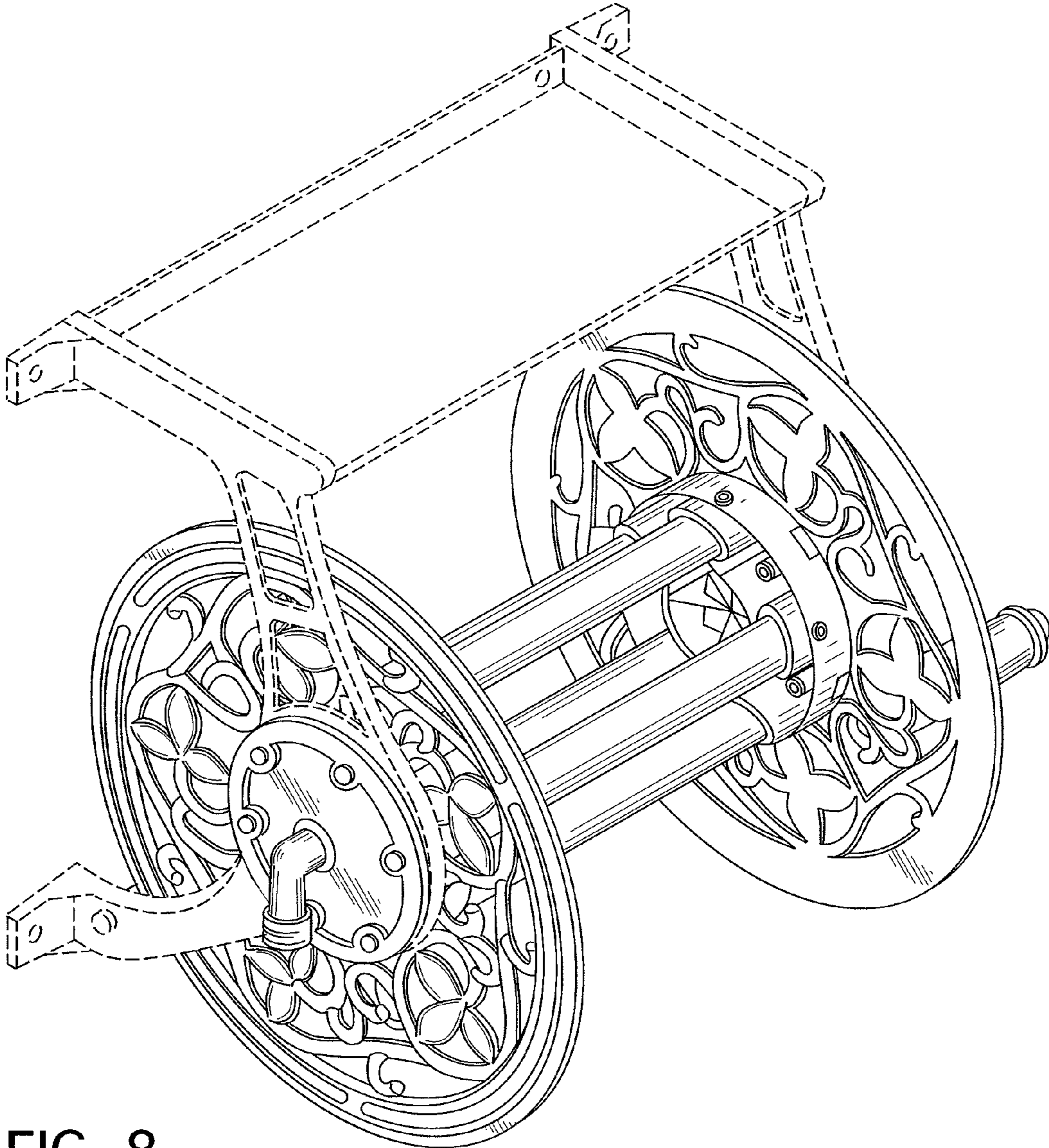


FIG. 8