



US00D636252S

(12) **United States Design Patent**
Wasson et al.

(10) **Patent No.:** **US D636,252 S**

(45) **Date of Patent:** **** Apr. 19, 2011**

(54) **LOCK BOX**

(76) Inventors: **John E. Wasson**, Fruita, CO (US);
Ninnian M. Wasson, Fruita, CO (US)

(**) Term: **14 Years**

(21) Appl. No.: **29/381,754**

(22) Filed: **Dec. 22, 2010**

(51) **LOC (9) Cl.** **08-07**

(52) **U.S. Cl.** **D8/333; D8/346; D8/330**

(58) **Field of Classification Search** D8/330-348;
70/20, 24, 51, 52, 55, 56, 58, 63, 18, 401,
70/429, 430, DIG. 56, 57, 57.1, 183, 184,
70/262, 465, 466, DIG. 3, DIG. 4, DIG. 8,
70/DIG. 43

See application file for complete search history.

(56) **References Cited**

U.S. PATENT DOCUMENTS

| | | | | |
|-----------|-----|---------|---------------|------------|
| 4,468,940 | A * | 9/1984 | Davis | 70/63 |
| 4,532,783 | A * | 8/1985 | Maurice | 70/63 |
| 4,609,780 | A * | 9/1986 | Clark | 379/102.06 |
| 4,727,368 | A * | 2/1988 | Larson et al. | 340/5.6 |
| D319,833 | S * | 9/1991 | Johnston | D15/28 |
| 5,046,339 | A * | 9/1991 | Krell | 70/55 |
| D492,185 | S * | 6/2004 | Maurer, Jr. | D8/331 |
| D495,234 | S * | 8/2004 | Fisher et al. | D8/333 |
| D499,634 | S * | 12/2004 | Dolan et al. | D8/333 |
| D515,909 | S * | 2/2006 | Leung | D8/335 |
| D539,633 | S * | 4/2007 | Van Handel | D8/333 |

* cited by examiner

Primary Examiner — Prabhakar Deshmukh

(74) *Attorney, Agent, or Firm* — Patent Law Offices of Rick Martin, P.C.

(57) **CLAIM**

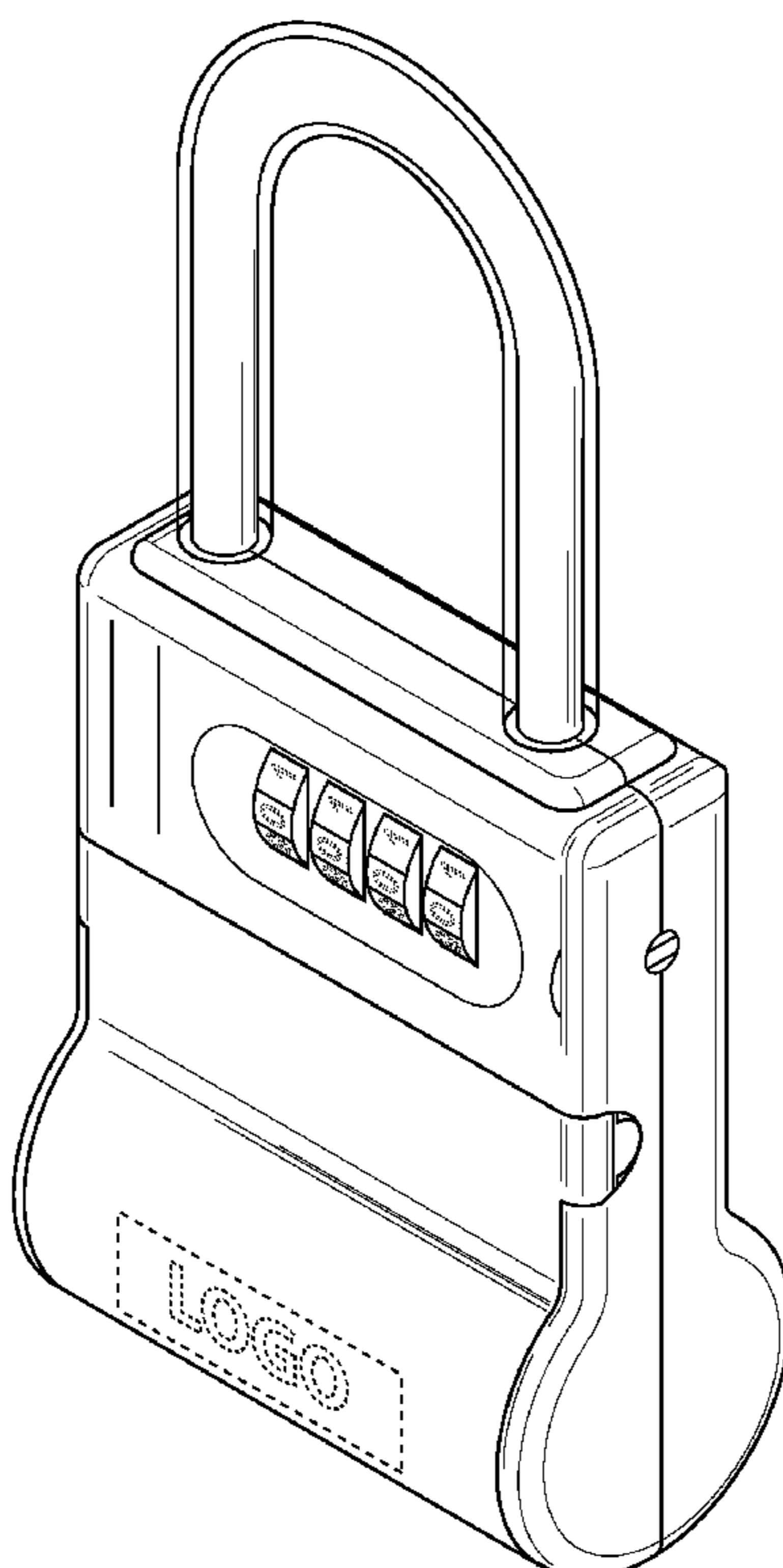
The ornamental design for a lock box, as shown and described.

DESCRIPTION

FIG. 1 is perspective view of lock box showing our new design;
 FIG. 2 is front elevational view thereof;
 FIG. 3 is a right side elevational view thereof;
 FIG. 4 is a left side elevational view thereof;
 FIG. 5 is a rear elevational view thereof;
 FIG. 6 is a bottom plan view thereof;
 FIG. 7 is a top plan view thereof;
 FIG. 8 is a perspective view thereof, with lock box door in open position;
 FIG. 9 is a front elevational view of FIG. 8;
 FIG. 10 is a right side elevational view of FIG. 8;
 FIG. 11 is a left side elevational view of FIG. 8;
 FIG. 12 is a rear elevational view of FIG. 8;
 FIG. 13 is a bottom plan view of FIG. 8; and,
 FIG. 14 is a top plan view of FIG. 8.

The broken lines indicating a key, the dotted lines indicating numbers on a lock, and the dashed lines indicating a logo are for purposes of illustration only and form no part of the of the claimed design.

1 Claim, 8 Drawing Sheets



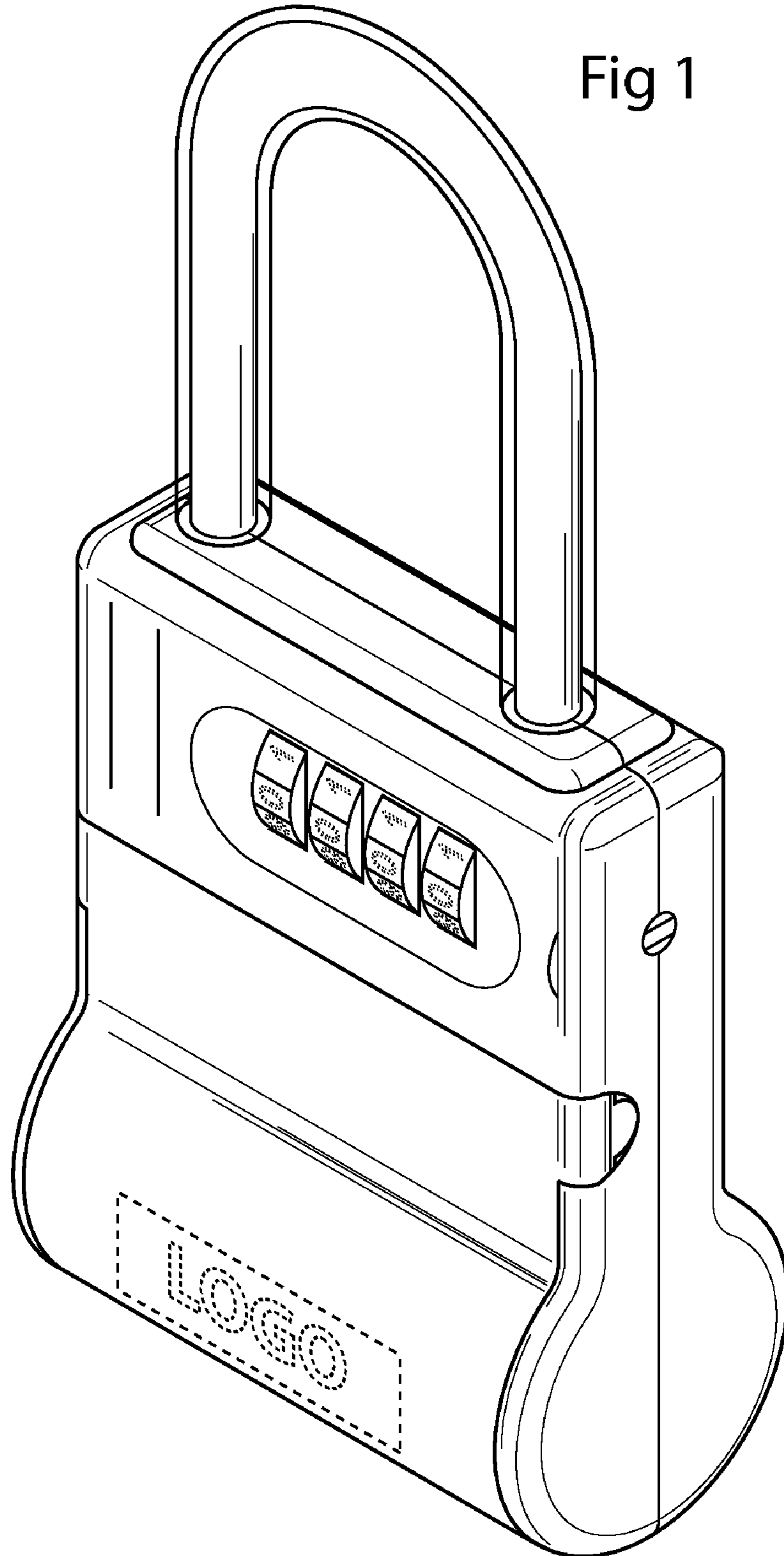


Fig 1

Fig 2

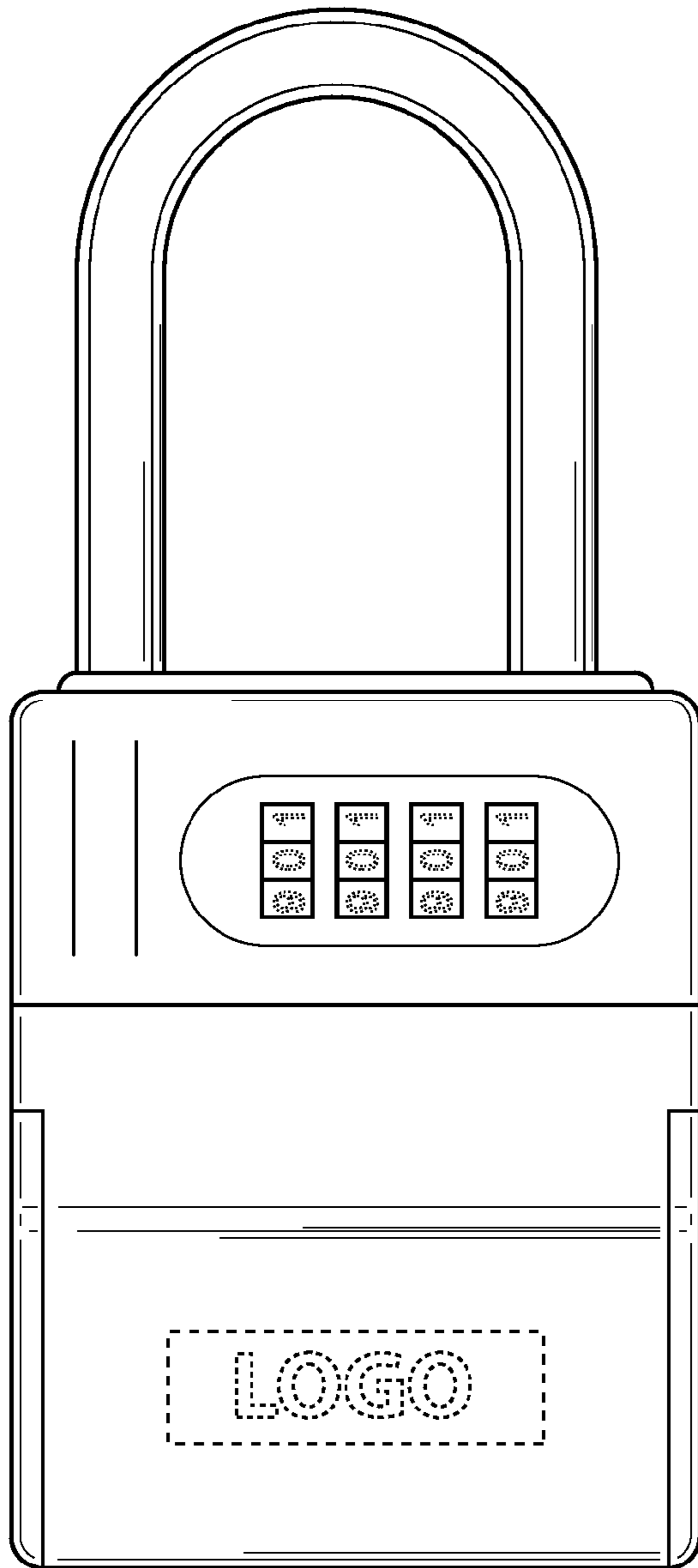


Fig 3

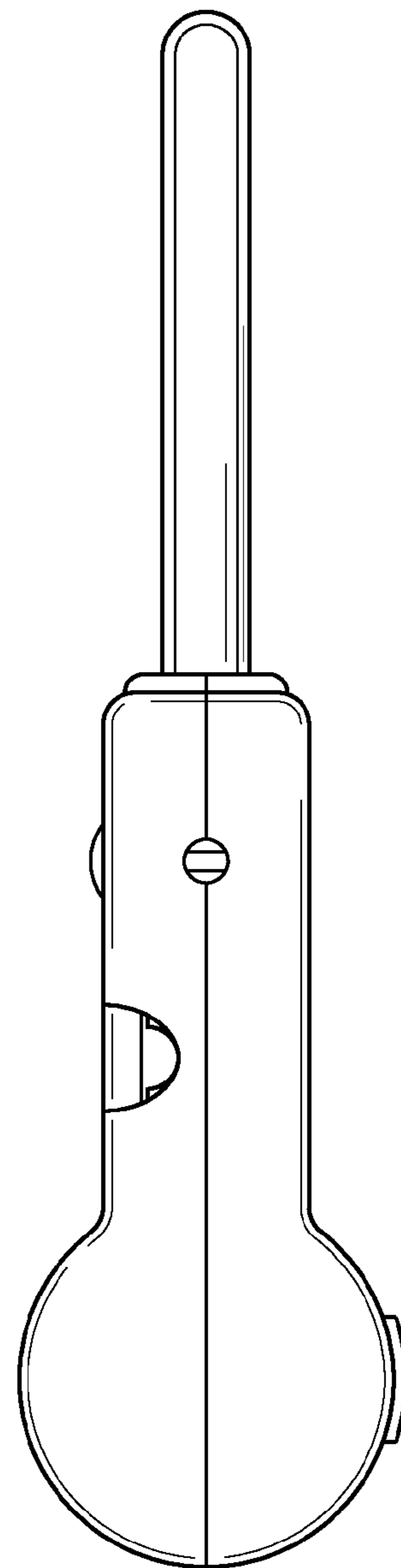


Fig 4

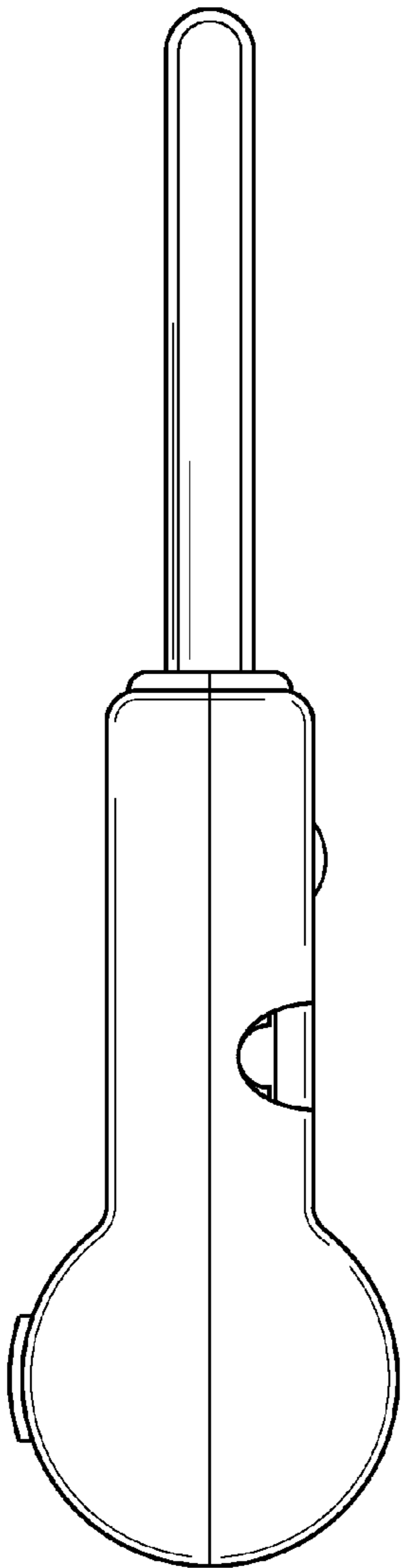


Fig 5

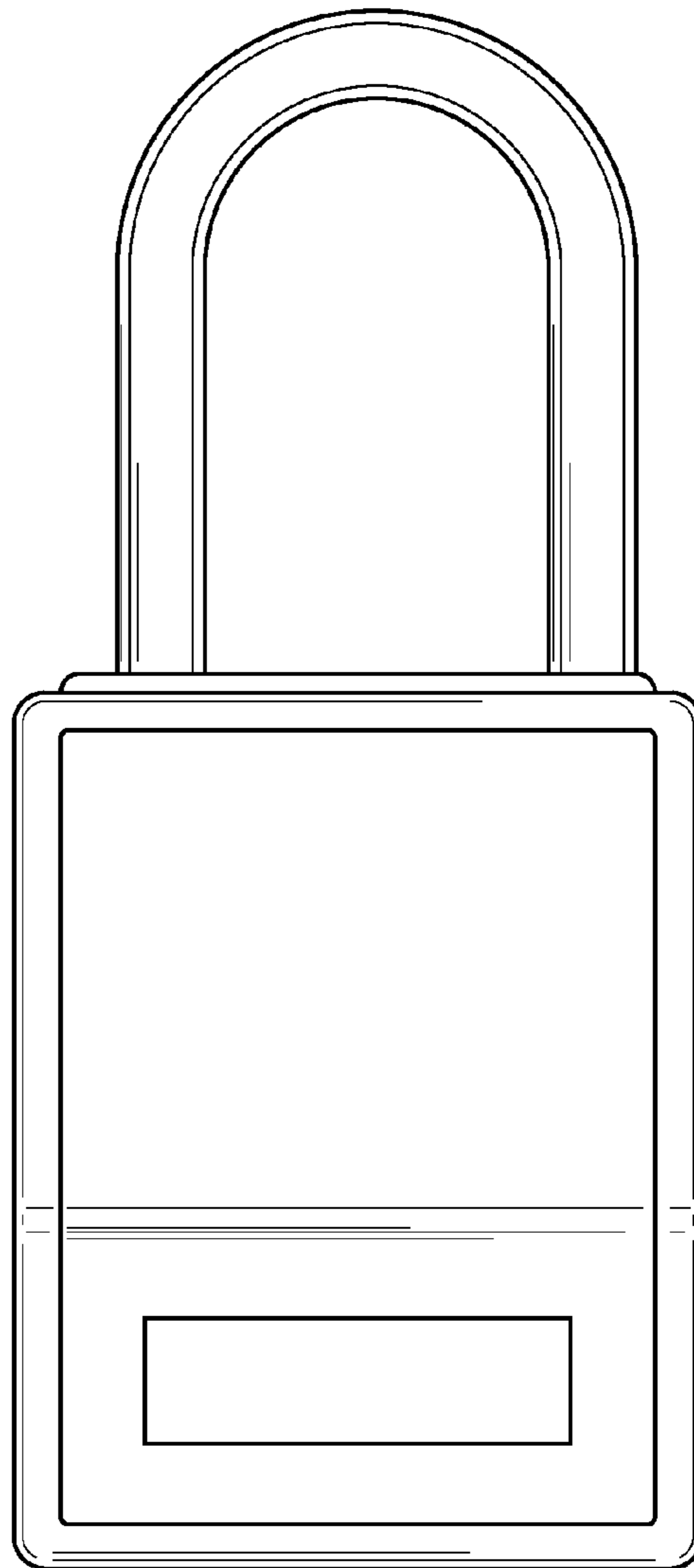


Fig 6

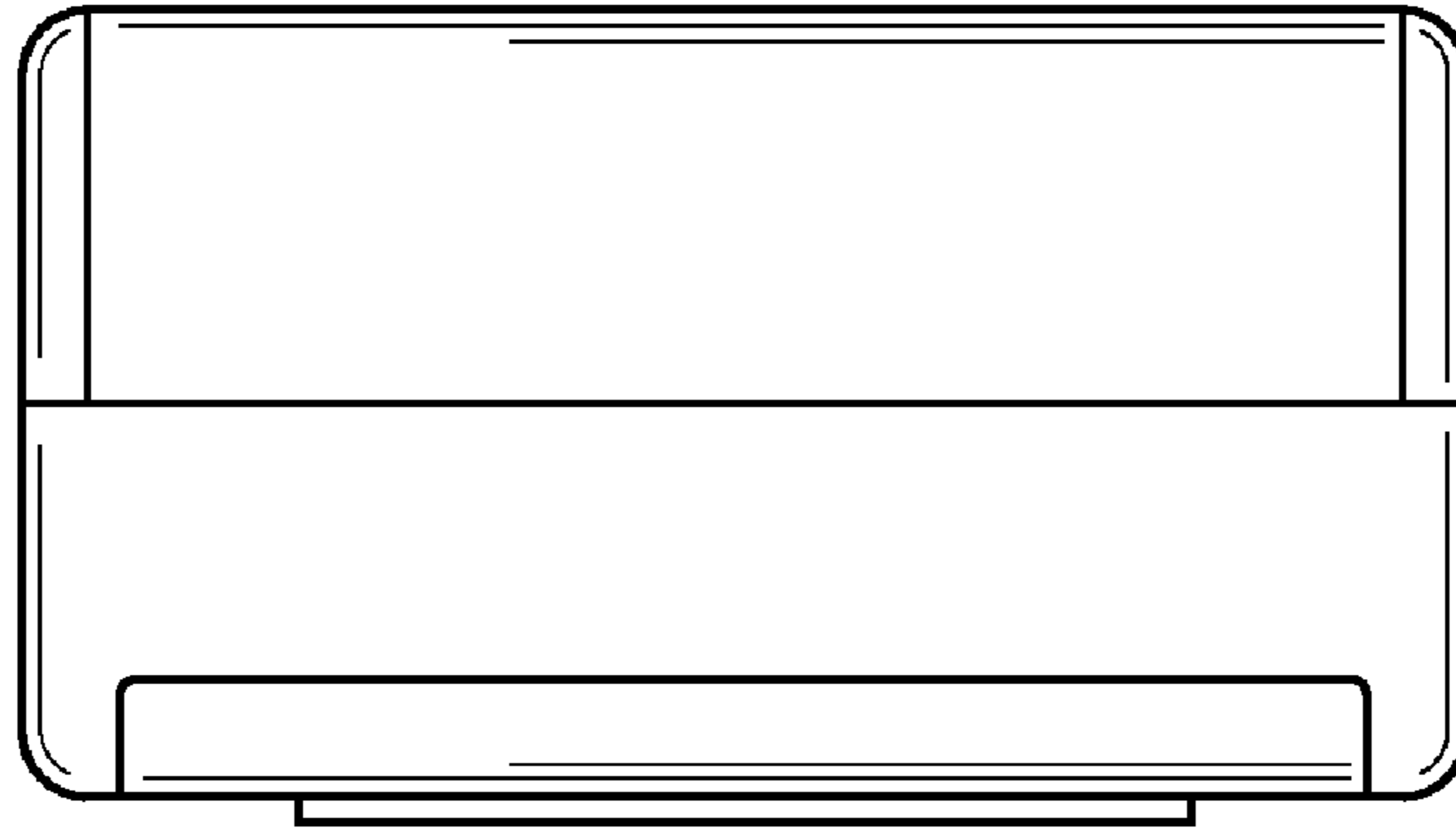


Fig 7

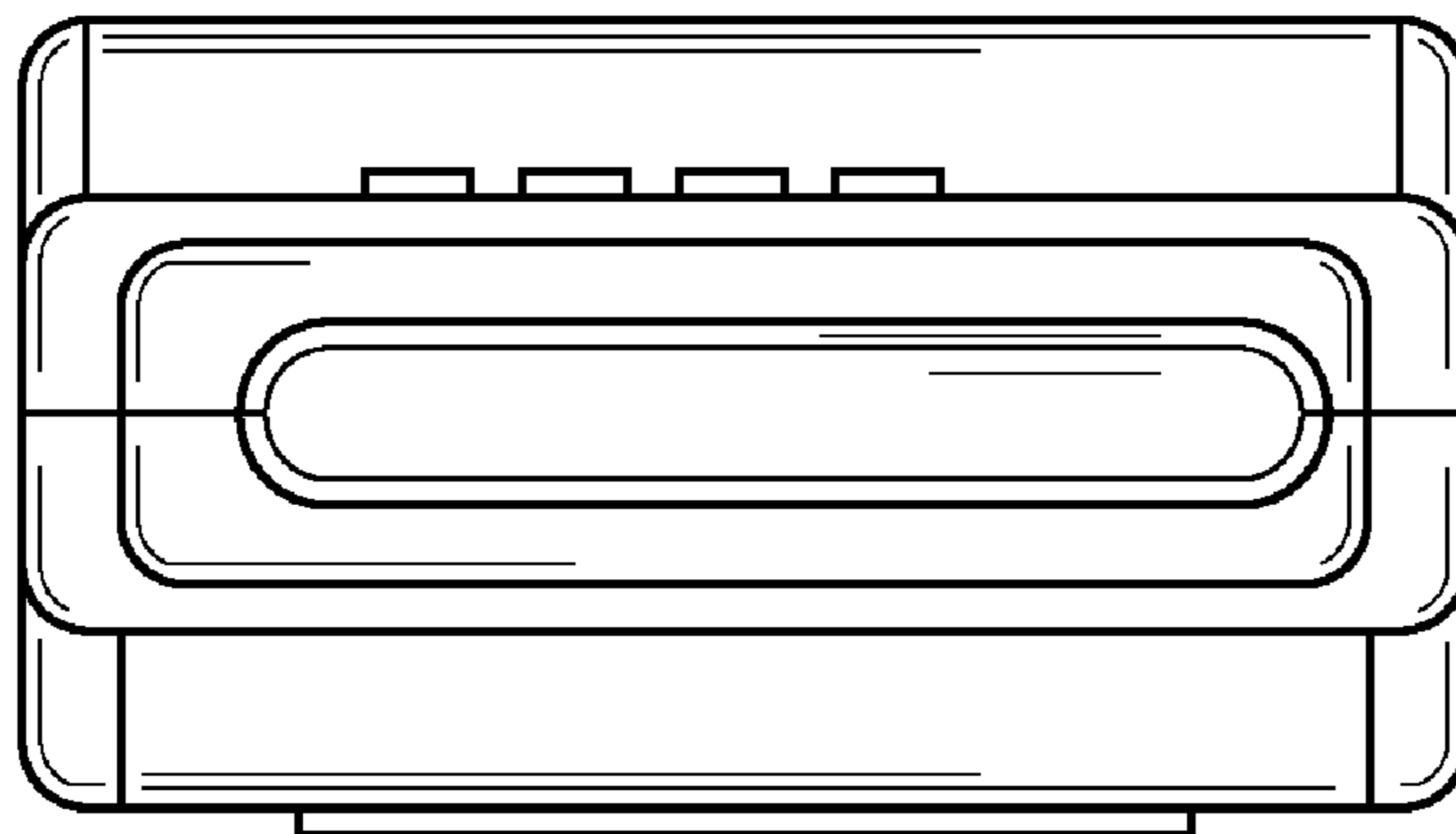


Fig 8

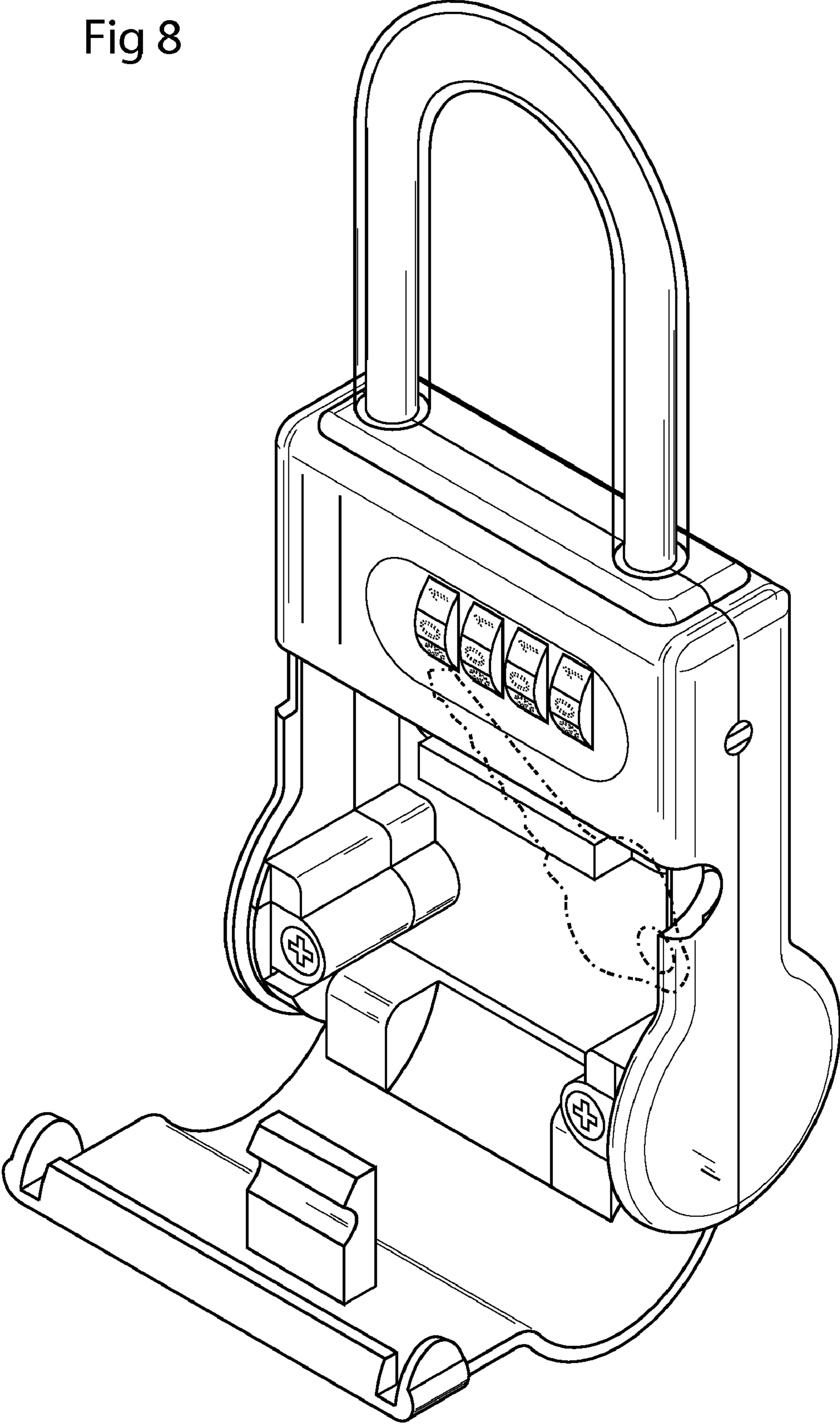


Fig 9

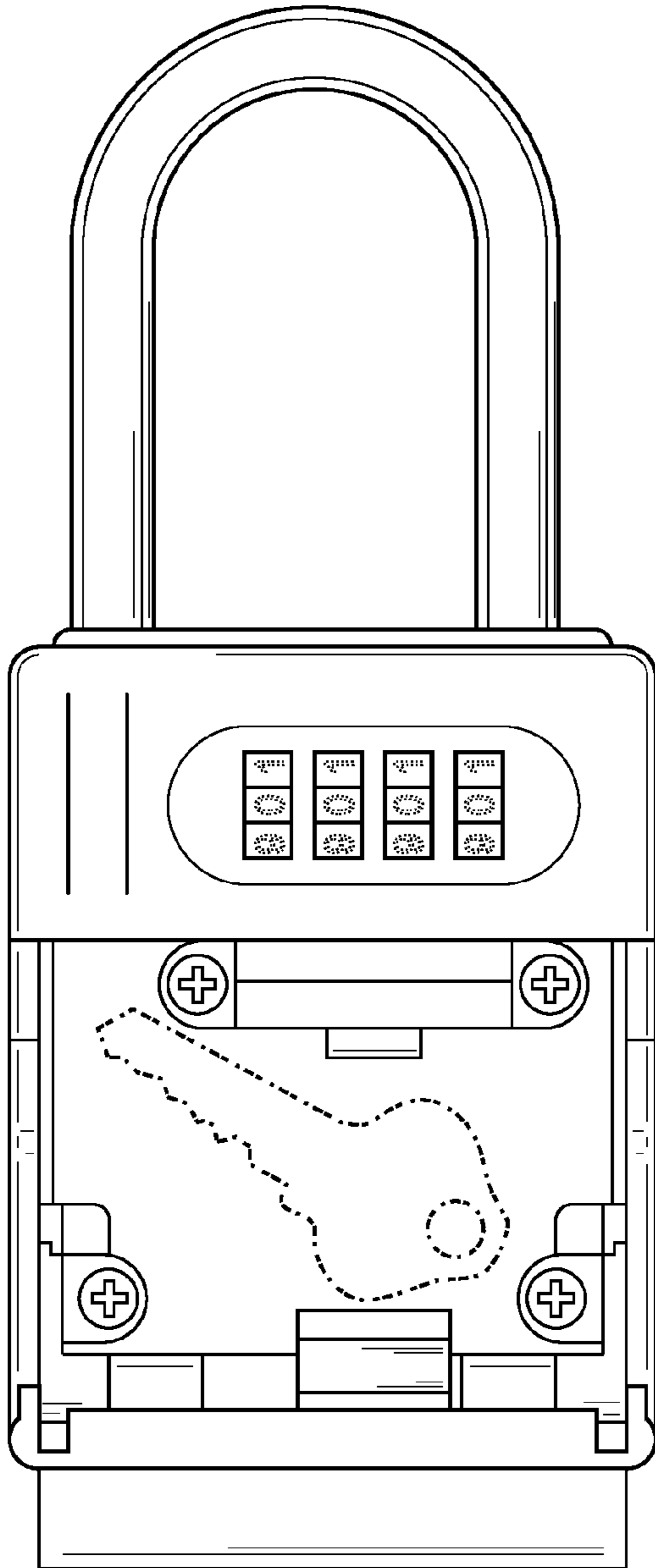


Fig 10

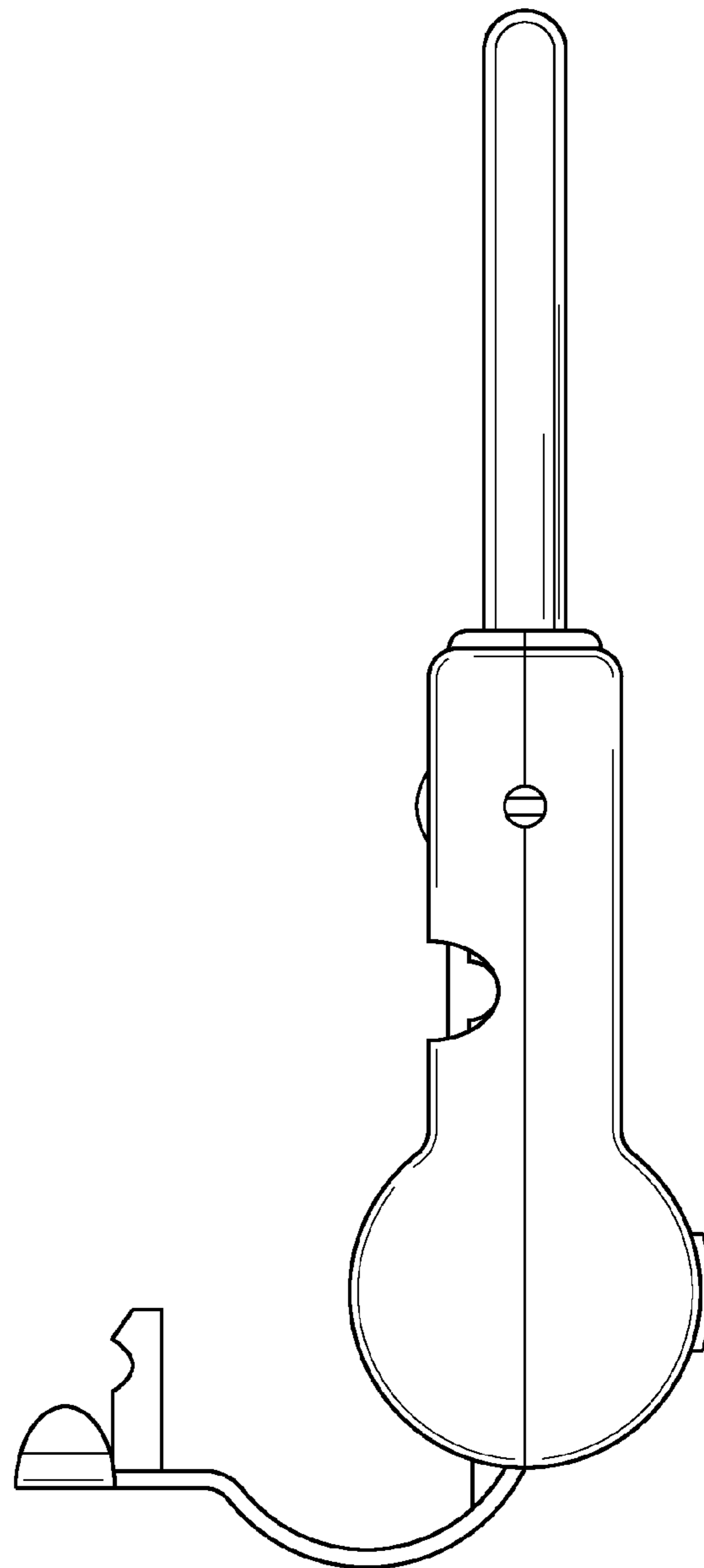


Fig 11

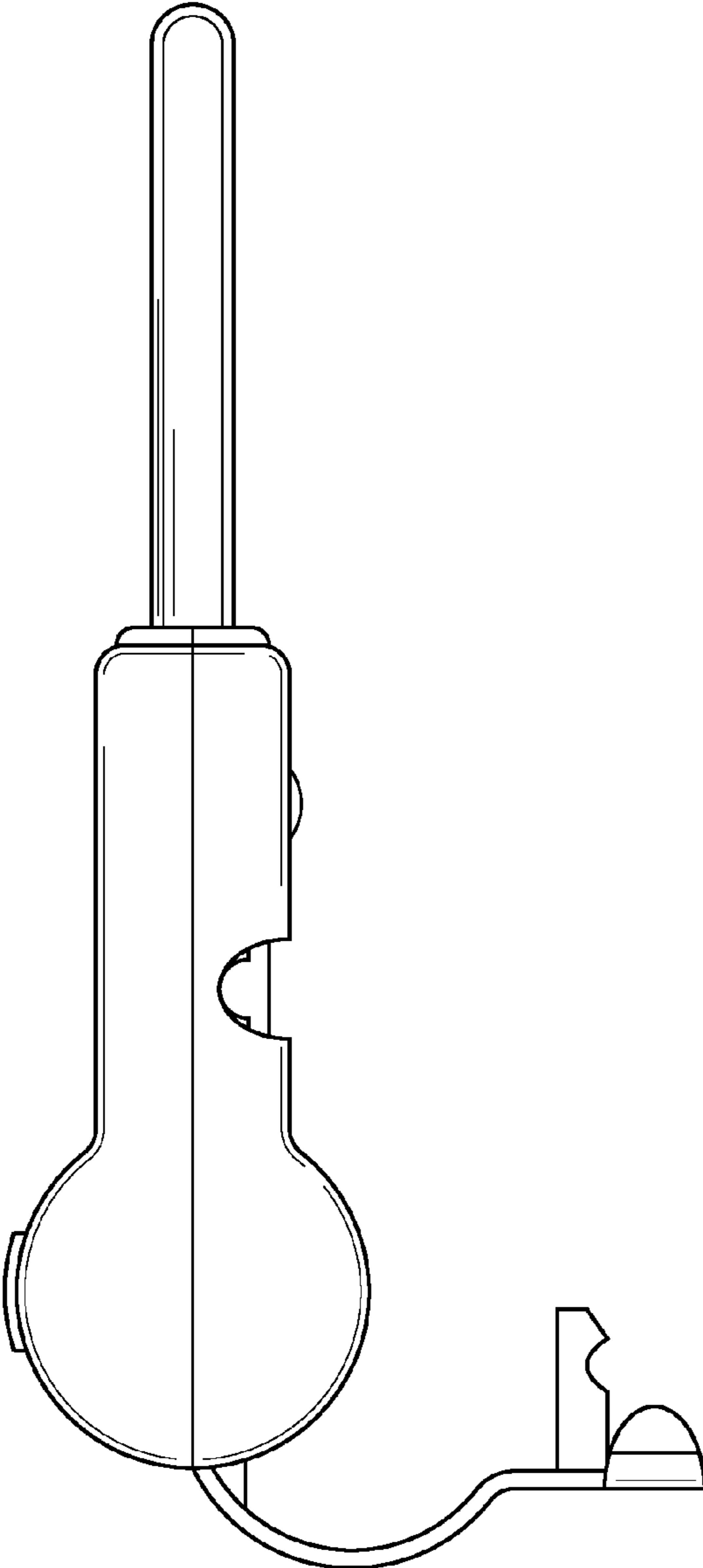


Fig 12

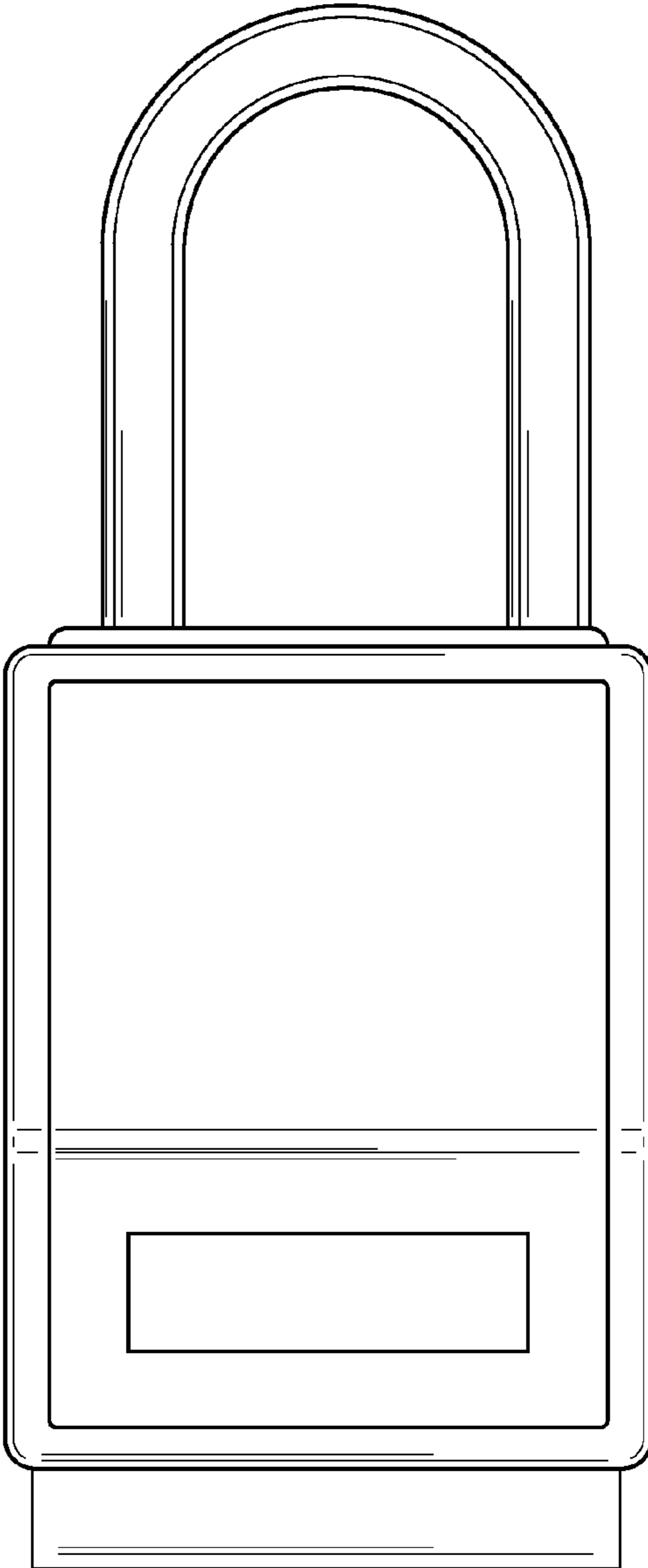


Fig 13

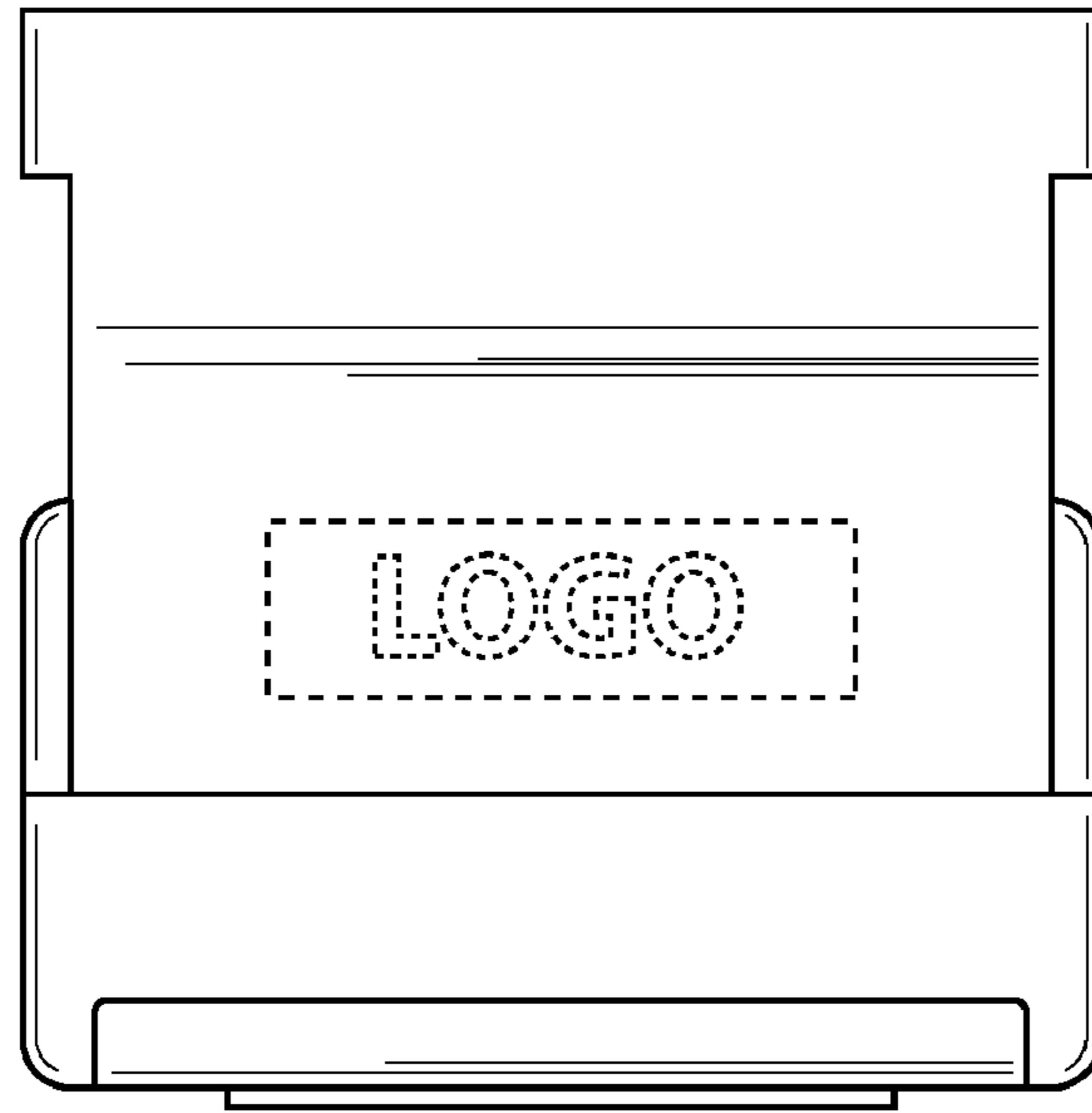


Fig 14

