



US00D636249S

(12) **United States Design Patent**
Manchen

(10) **Patent No.:** **US D636,249 S**
(45) **Date of Patent:** **** Apr. 19, 2011**

(54) **KNIFE**

(75) Inventor: **Andrea Manchen, Zürich (CH)**

(73) Assignee: **Think Industry AG, Zug (CH)**

(**) Term: **14 Years**

(21) Appl. No.: **29/361,627**

(22) Filed: **May 13, 2010**

(30) **Foreign Application Priority Data**

Jan. 25, 2010 (CH) 136715

(51) **LOC (9) Cl.** **08-03**

(52) **U.S. Cl.** **D8/99**

(58) **Field of Classification Search** D8/98-100,
D8/102, 104; D32/48; D28/59; 30/162,
30/169; 132/76.2

See application file for complete search history.

(56) **References Cited**

U.S. PATENT DOCUMENTS

628,259	A *	7/1899	Wheeler	30/162
1,403,281	A *	1/1922	Anover	30/162
1,434,388	A *	11/1922	Hughes	30/320
1,449,408	A *	3/1923	Hull	30/162
1,496,927	A *	6/1924	Evers	30/162
2,198,111	A *	4/1940	Gorbatenko et al.	30/162
2,270,655	A *	1/1942	Keeran	30/162
2,284,168	A *	5/1942	Rickenbacher	132/76.2
2,640,260	A *	6/1953	Taylor et al.	30/162
2,735,176	A *	2/1956	Costin	30/162
2,870,537	A *	1/1959	Ortner	30/162
3,079,686	A *	3/1963	Christy	30/162
3,448,518	A *	6/1969	Sklar	30/162
D248,538	S *	7/1978	Richards	D8/99
D288,898	S *	3/1987	Osterhout	D8/99
4,744,146	A *	5/1988	Schmidt	30/162

4,823,463	A *	4/1989	Lemaire	30/162
D308,462	S *	6/1990	Komatsu	D8/105
D309,090	S *	7/1990	Schmidt et al.	D8/99
D355,106	S *	2/1995	Yoshimoto	D8/99
D355,107	S *	2/1995	Yoshimoto	D8/99
D373,946	S *	9/1996	Sawano	D8/99
D430,476	S *	9/2000	Thompson et al.	D8/99
D440,013	S *	4/2001	Newman	D28/59
6,470,574	B1 *	10/2002	Strumke, Jr.	30/169
D466,387	S *	12/2002	Chang	D8/99
6,589,258	B2 *	7/2003	Pilo et al.	606/167
D497,301	S *	10/2004	Kondo et al.	D8/99
D501,781	S *	2/2005	Galli	D8/99
D513,957	S *	1/2006	Thirouin	D8/99
D540,138	S *	4/2007	Kan	D8/99
D565,382	S *	4/2008	Watanabe	D8/99
D597,255	S *	7/2009	Wittke-Kothe	D28/59
D608,948	S *	1/2010	Wittke-Kothe	D28/59
7,797,838	B2 *	9/2010	Chu	30/162
2003/0105479	A1 *	6/2003	Pilo et al.	606/167

* cited by examiner

Primary Examiner — Philip S Hyder

Assistant Examiner — Roselynn Cody

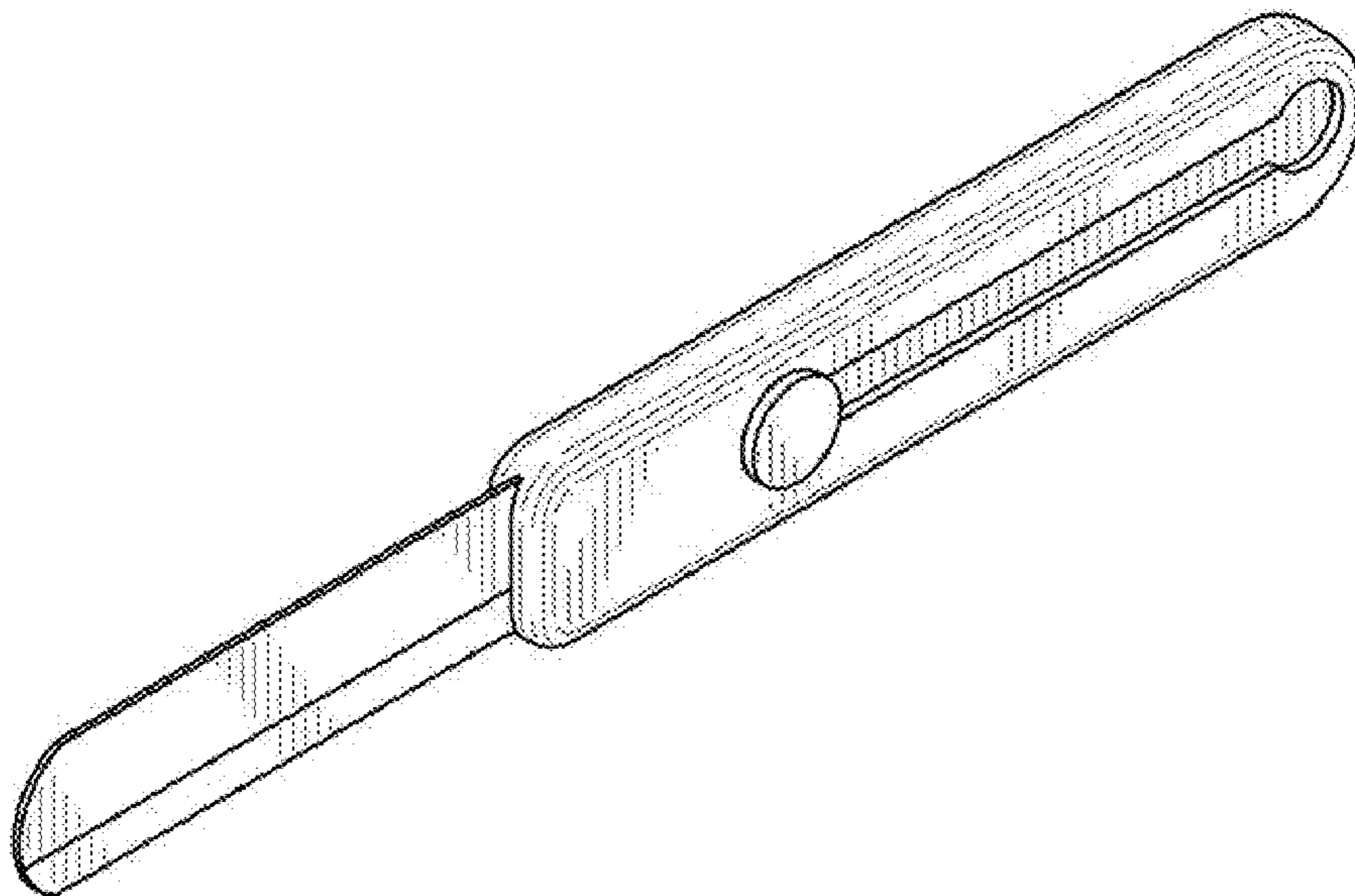
(57) **CLAIM**

The ornamental design for a knife, as shown and described.

DESCRIPTION

FIG. 1 is a perspective view with blade extended
FIG. 2 is the side view, lengthwise, with blade extended
FIG. 3 is the top view with blade extended
FIG. 4 is the bottom view with blade extended
FIG. 5 is a perspective view with blade retracted
FIG. 6 is the side view, lengthwise, with blade retracted
FIG. 7 is the top view with blade retracted
FIG. 8 is the bottom view with blade retracted
FIG. 9 is the front view; and,
FIG. 10 is the rear view.

1 Claim, 2 Drawing Sheets



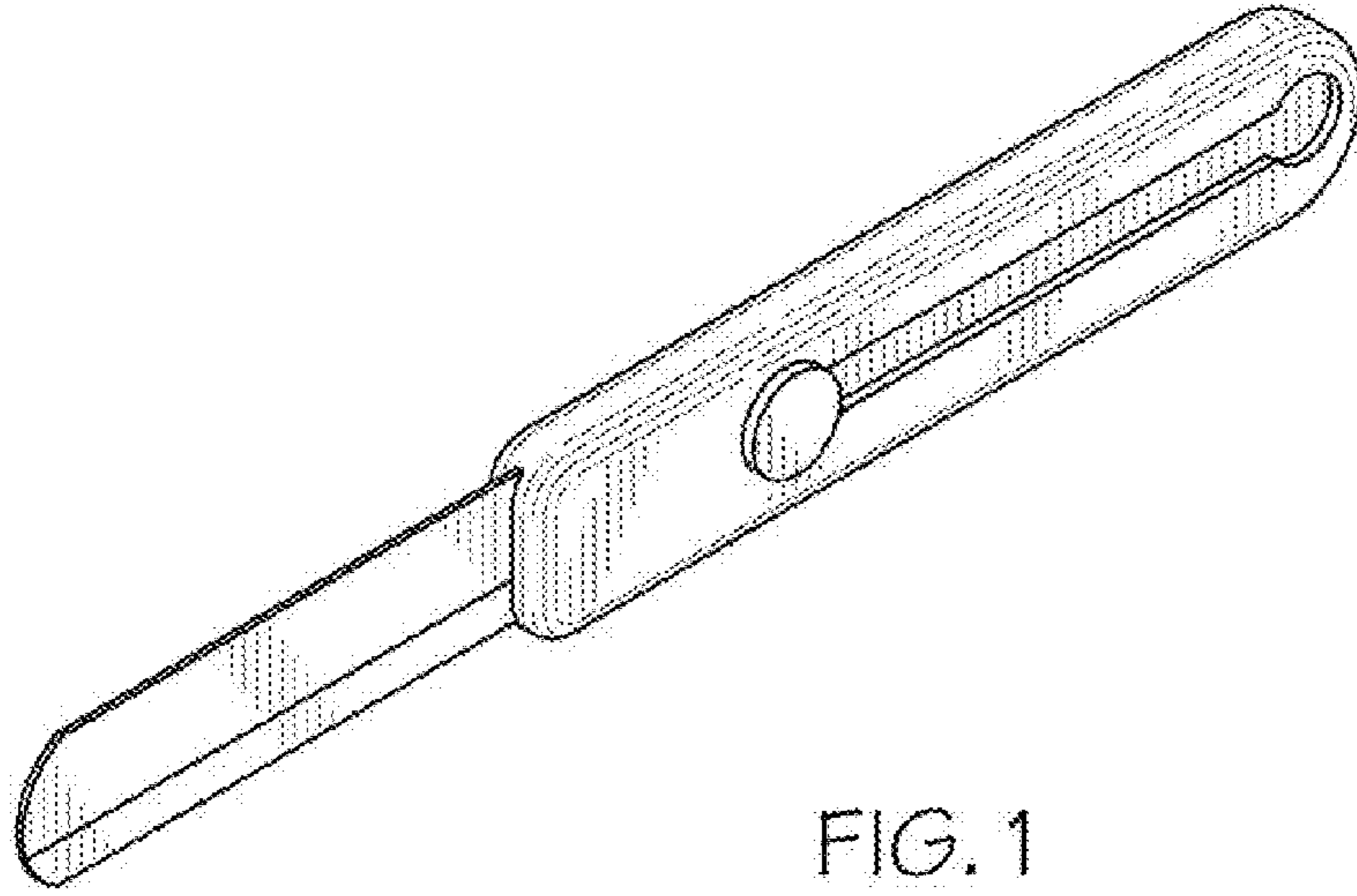


FIG. 1

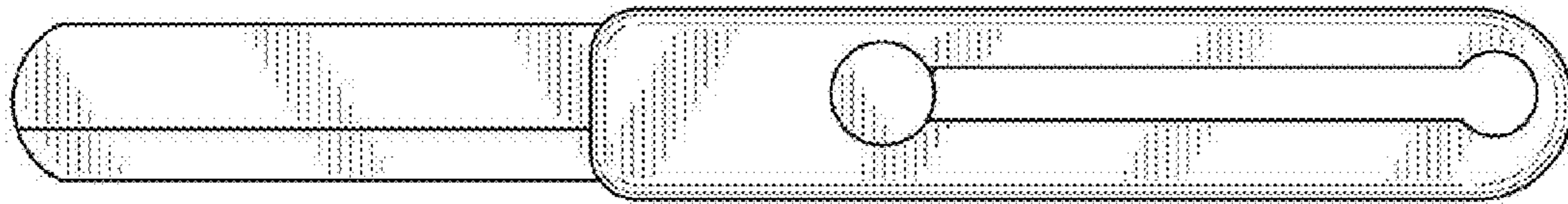


FIG. 2

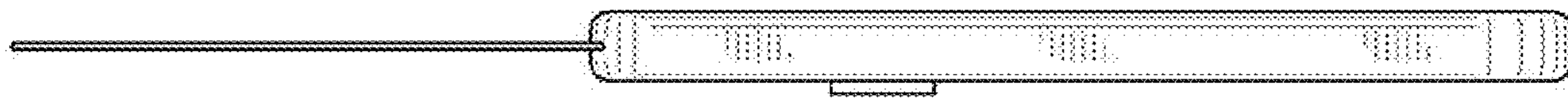


FIG. 3



FIG. 4

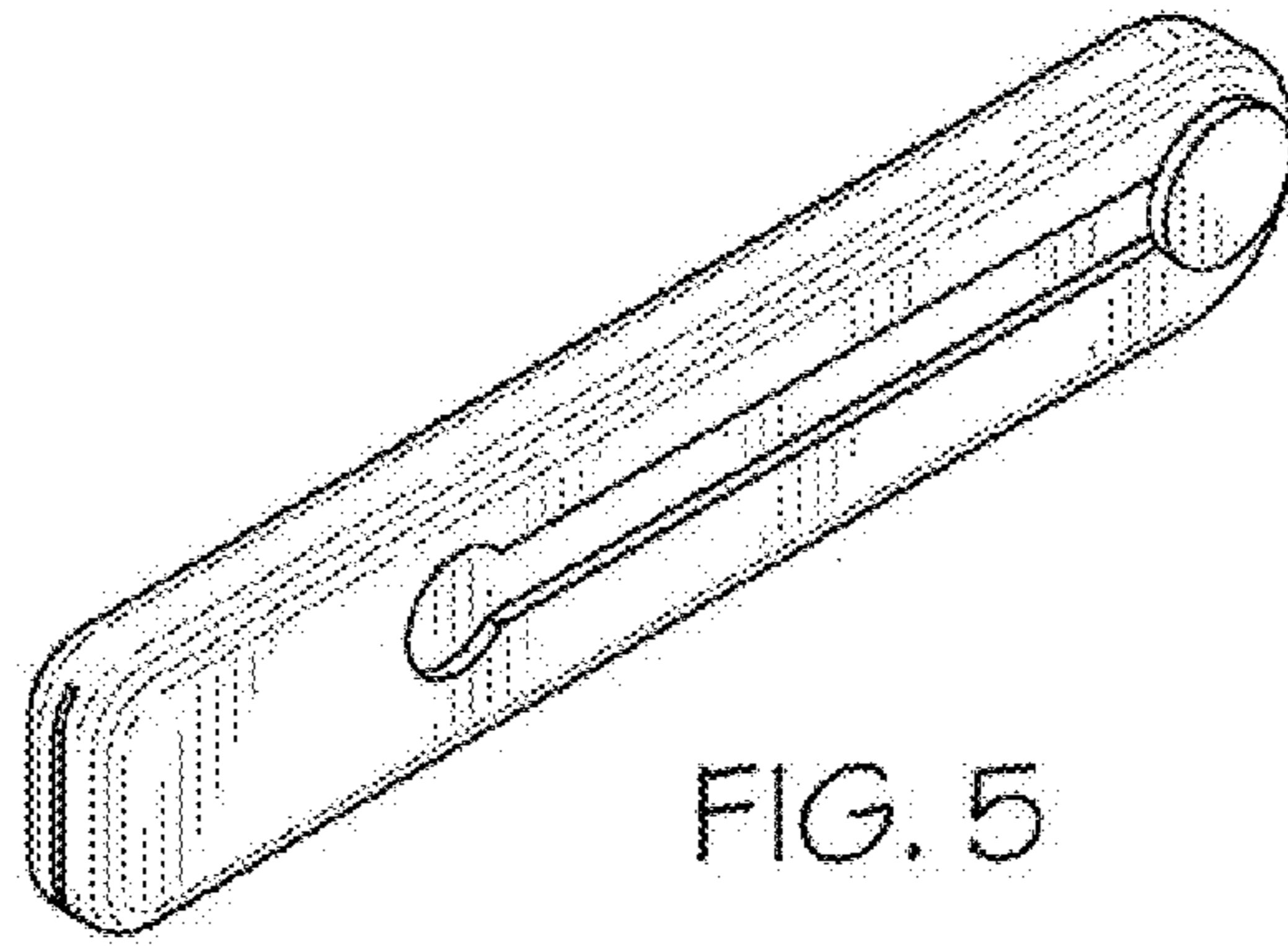


FIG. 5

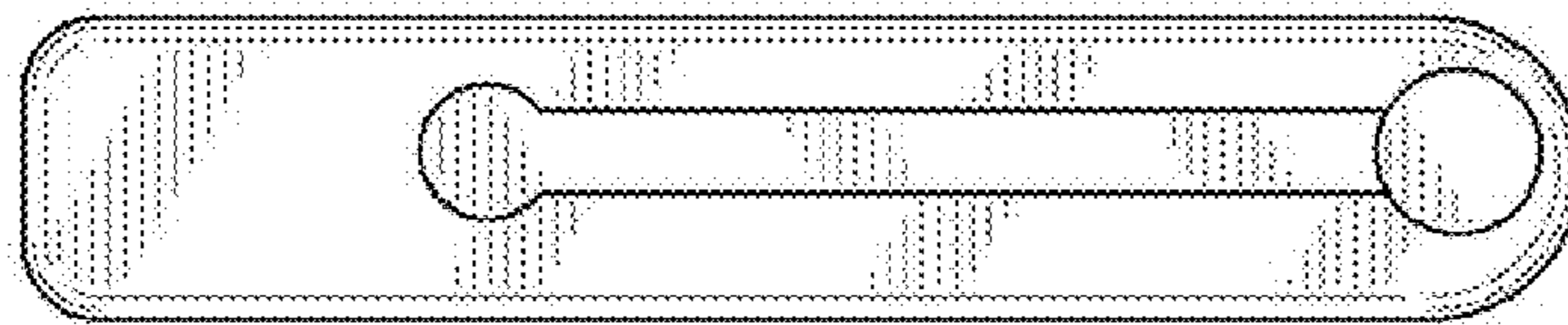


FIG. 6

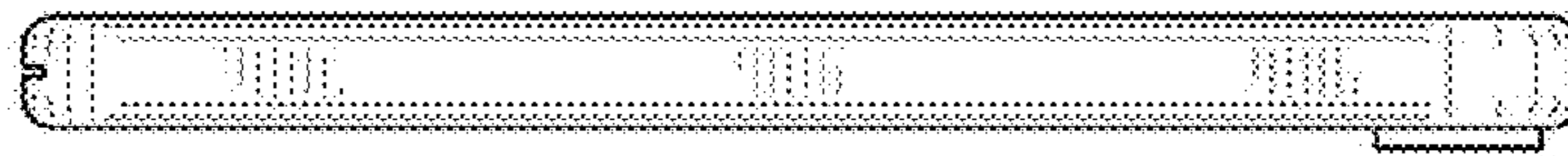


FIG. 7



FIG. 8



FIG. 9



FIG. 10