



US00D636247S

(12) **United States Design Patent**  
**Konopka**

(10) **Patent No.:** **US D636,247 S**

(45) **Date of Patent:** **\*\* Apr. 19, 2011**

(54) **UTILITY KNIFE**

(76) Inventor: **Reimund Konopka**, Ulm (DE)

(\*\*) Term: **14 Years**

(21) Appl. No.: **29/342,198**

(22) Filed: **Aug. 20, 2009**

(30) **Foreign Application Priority Data**

Feb. 26, 2009 (EM) ..... 001105415-0001  
Feb. 26, 2009 (EM) ..... 001105415-0002  
Feb. 26, 2009 (EM) ..... 001105415-0003

(51) **LOC (9) Cl.** ..... **08-03**

(52) **U.S. Cl.** ..... **D8/98; D8/14; D8/45**

(58) **Field of Classification Search** ..... D8/14,  
D8/45, 98-99, 104, 107; D32/49; 15/235.7,  
15/236.05, 236.07, 236.09; 30/162, 169,  
30/279.2

See application file for complete search history.

(56) **References Cited**

**U.S. PATENT DOCUMENTS**

1,991,267 A \* 2/1935 Waldron et al. .... 30/280  
3,744,079 A \* 7/1973 Krause ..... 15/235.7  
3,892,039 A \* 7/1975 Fisher ..... 30/279.2  
D311,673 S \* 10/1990 Johnson ..... D8/98  
D314,696 S \* 2/1991 Lucarelli ..... D8/45  
D332,901 S \* 2/1993 Campbell ..... D8/45  
D420,882 S \* 2/2000 Majolo et al. .... D8/98  
6,035,536 A \* 3/2000 Dewberry ..... 30/169  
6,219,878 B1 \* 4/2001 Dewberry ..... 15/235.7  
6,578,229 B1 \* 6/2003 Dziallas et al. .... 15/236.05  
D479,375 S \* 9/2003 Gringer et al. .... D32/48

D543,432 S \* 5/2007 Rivera et al. .... D8/107  
D605,911 S \* 12/2009 Lian et al. .... D8/14  
D606,375 S \* 12/2009 Divita ..... D8/45  
D622,114 S \* 8/2010 Balliet ..... D8/16  
2006/0162106 A1 \* 7/2006 Ross ..... 15/111  
2010/0162573 A1 \* 7/2010 Liao ..... 30/169

\* cited by examiner

*Primary Examiner* — Phillip S Hyder

*Assistant Examiner* — Roselynn Ulm Cody

(74) *Attorney, Agent, or Firm* — Smartpat PLC; Axel Nix

(57) **CLAIM**

I claim the ornamental design for a utility knife, as shown and described.

**DESCRIPTION**

FIG. 1 is a front and right side perspective view of a utility knife showing the handle of my new design without blades; FIG. 2 is a right side view thereof, the left side view being identical;

FIG. 3 is a front view thereof, the rear view being identical;

FIG. 4 is a top view thereof;

FIG. 5 is a bottom view thereof;

FIG. 6 is a bottom and rear perspective view thereof;

FIG. 7 is a front and right side perspective view of FIG. 1 with attached blades;

FIG. 8 is a right side view of FIG. 7;

FIG. 9 is a the left side view of FIG. 7;

FIG. 10 is a rear view of FIG. 7;

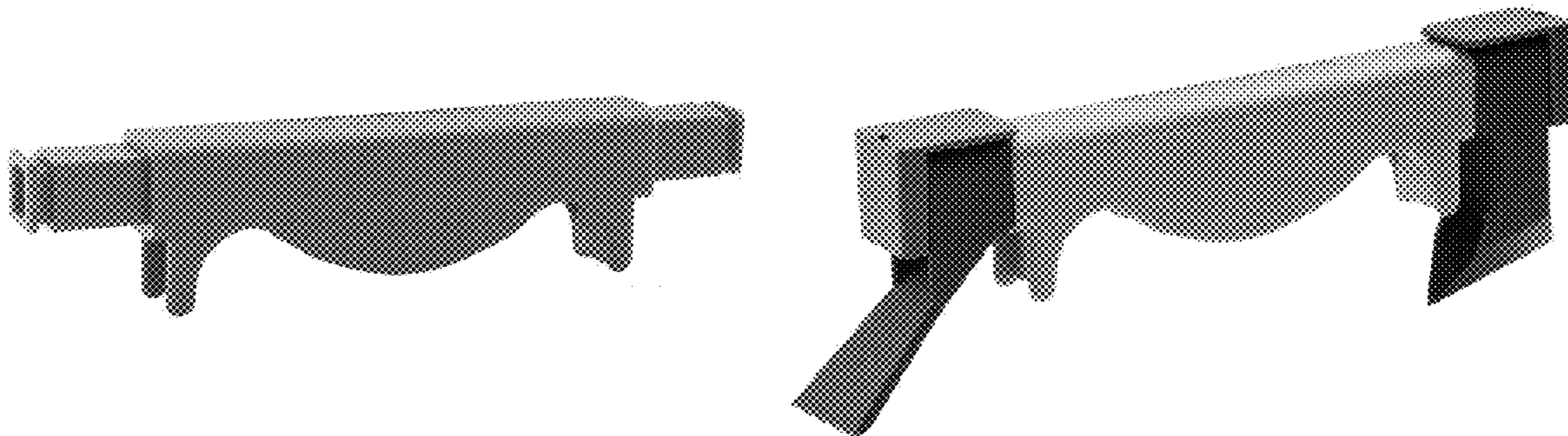
FIG. 11 is a front view of FIG. 7;

FIG. 12 is a top view of FIG. 7;

FIG. 13 is a bottom view of FIG. 7; and,

FIG. 14 is a bottom and rear perspective view of FIG. 7.

**1 Claim, 14 Drawing Sheets**



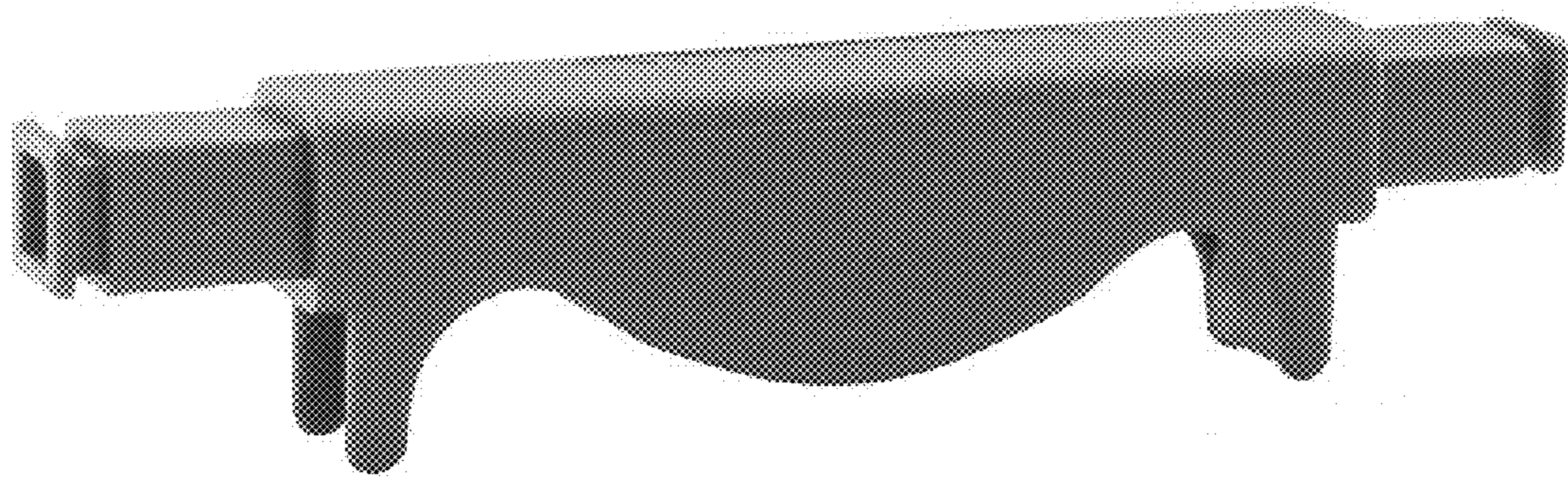


FIG. 1



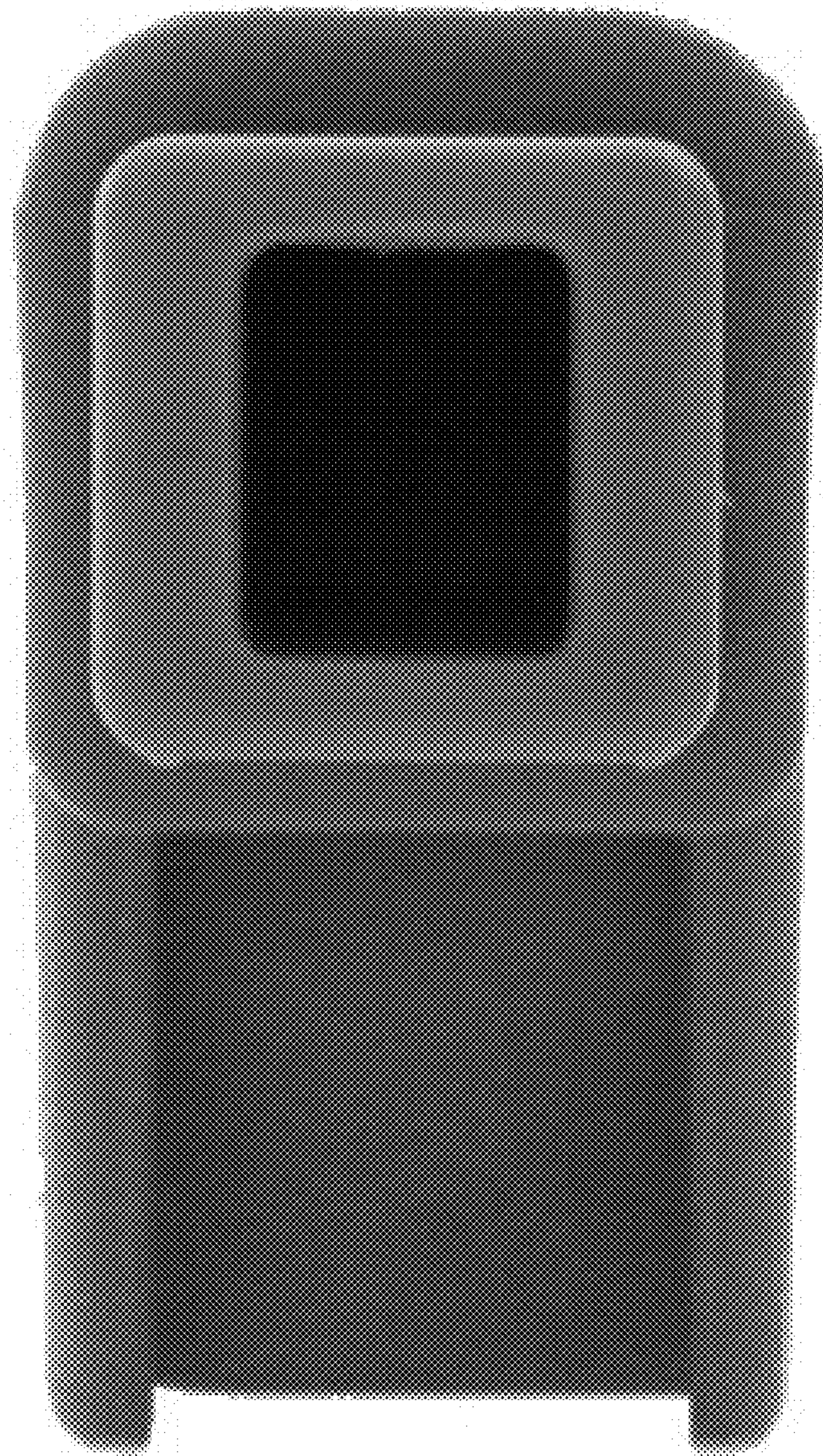


FIG. 2



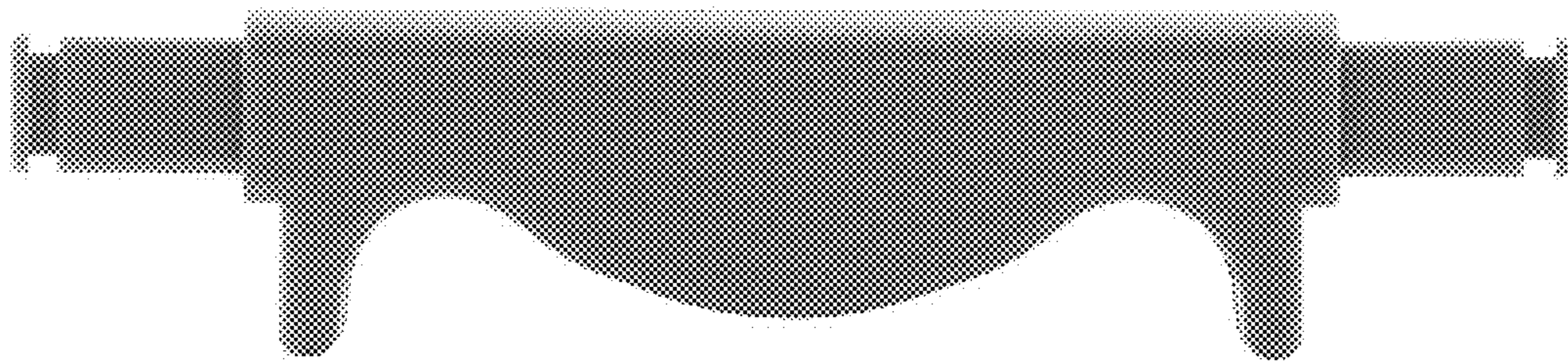
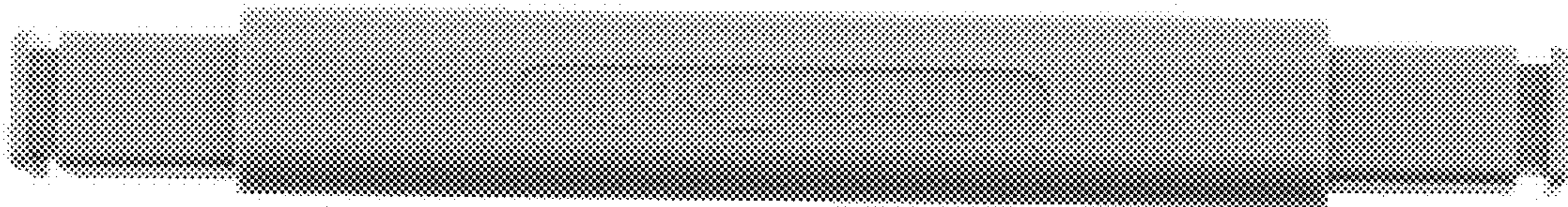


FIG. 3



**FIG. 4**

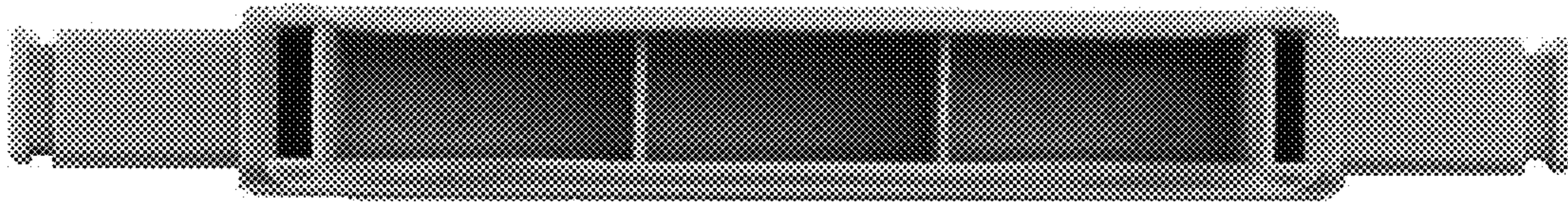


FIG. 5

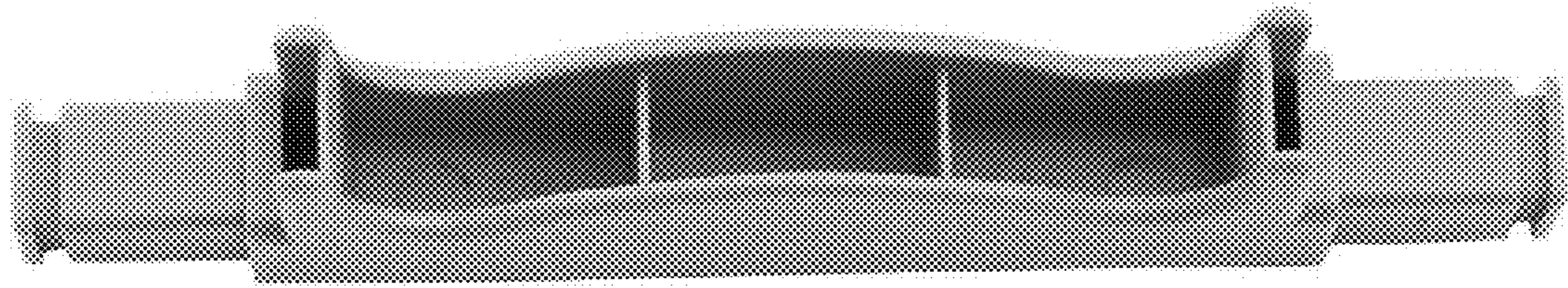


FIG. 6

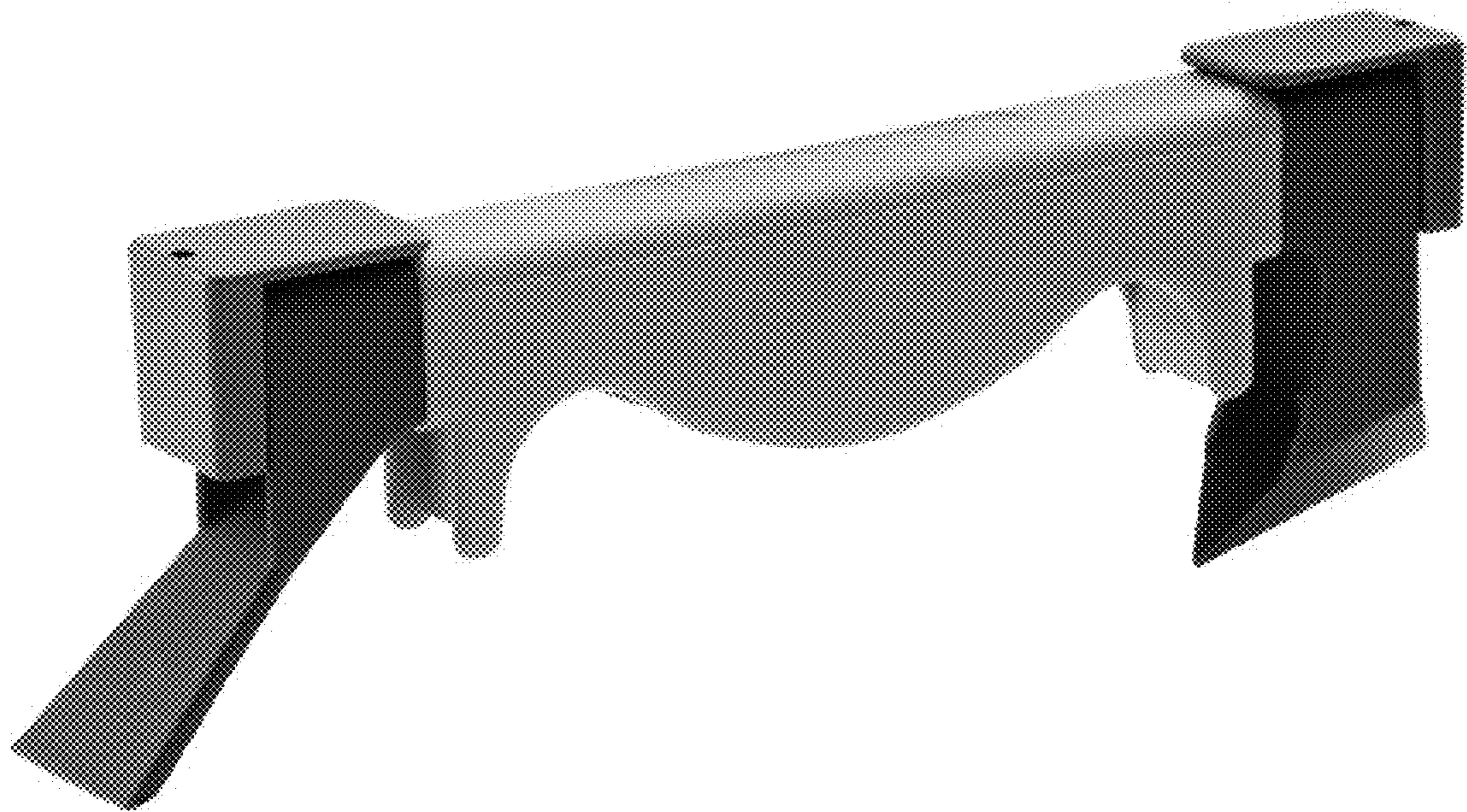


FIG. 7

FIG. 7 is a perspective view of the device.





FIG. 8



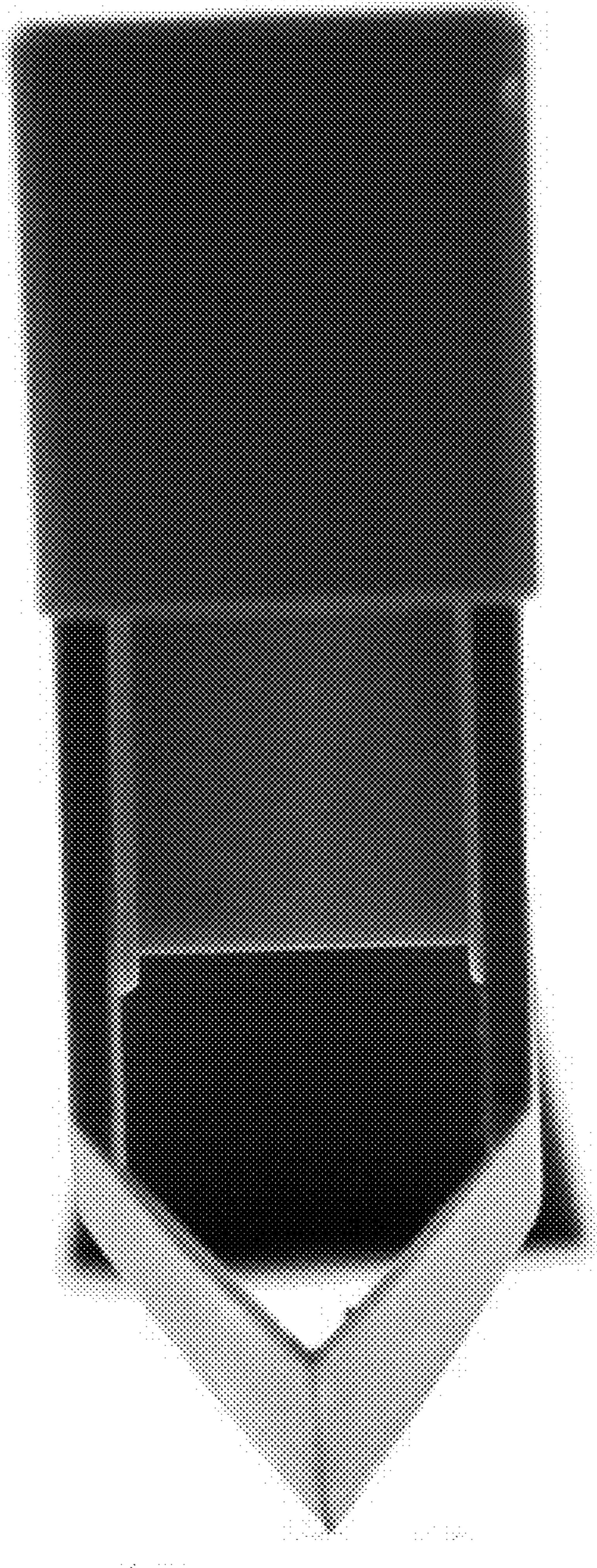


FIG. 9

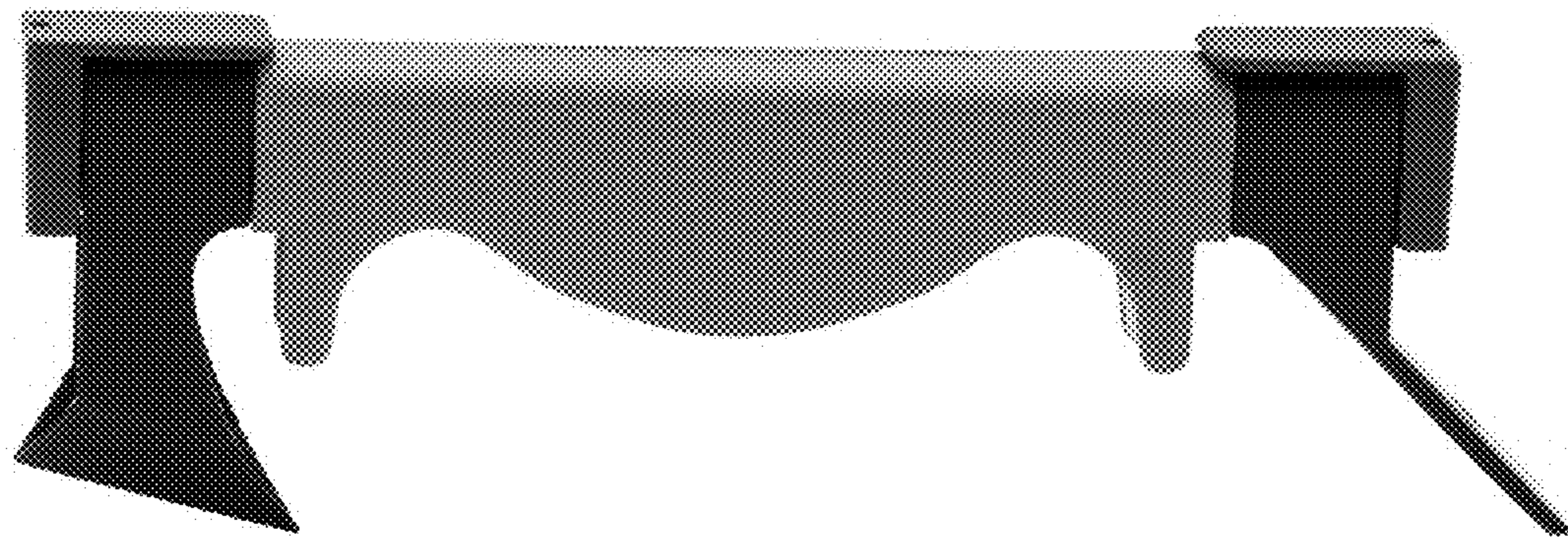


FIG. 10



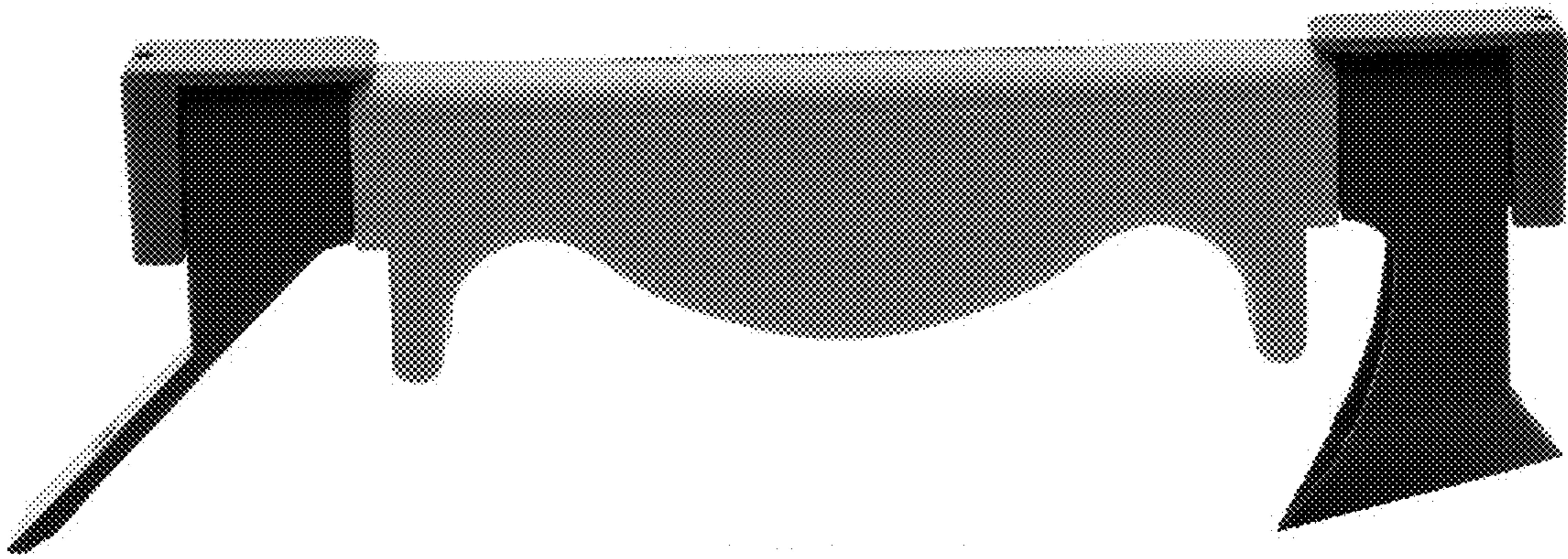


FIG. 11

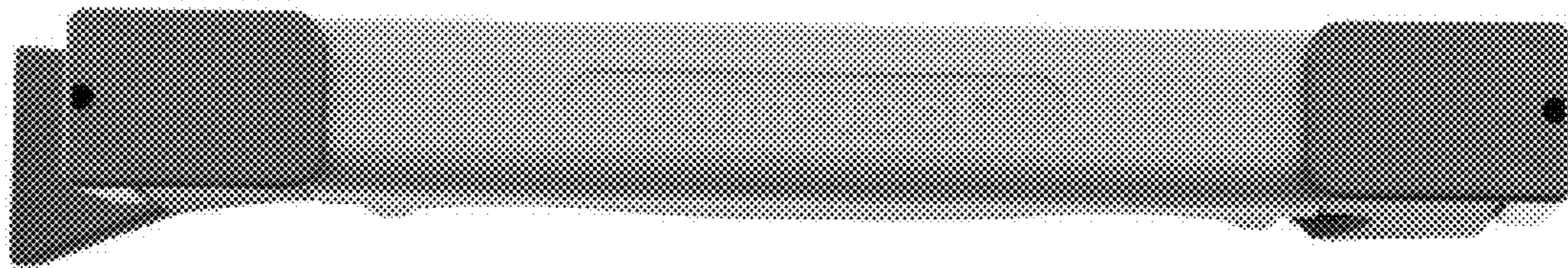


FIG. 12

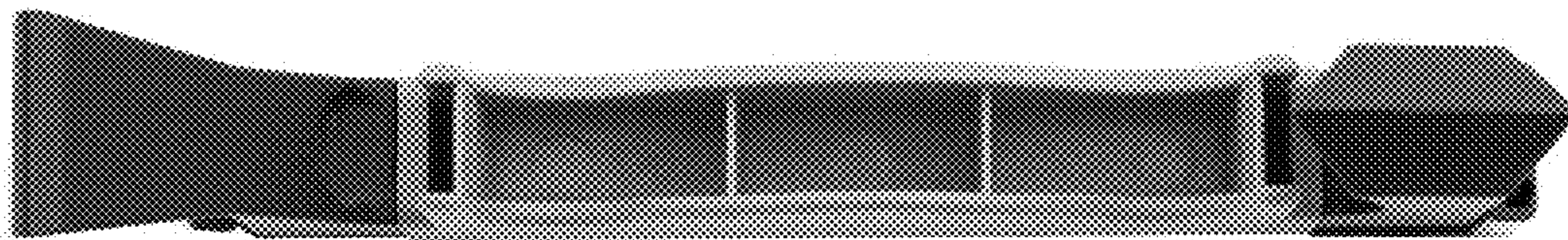


FIG. 13



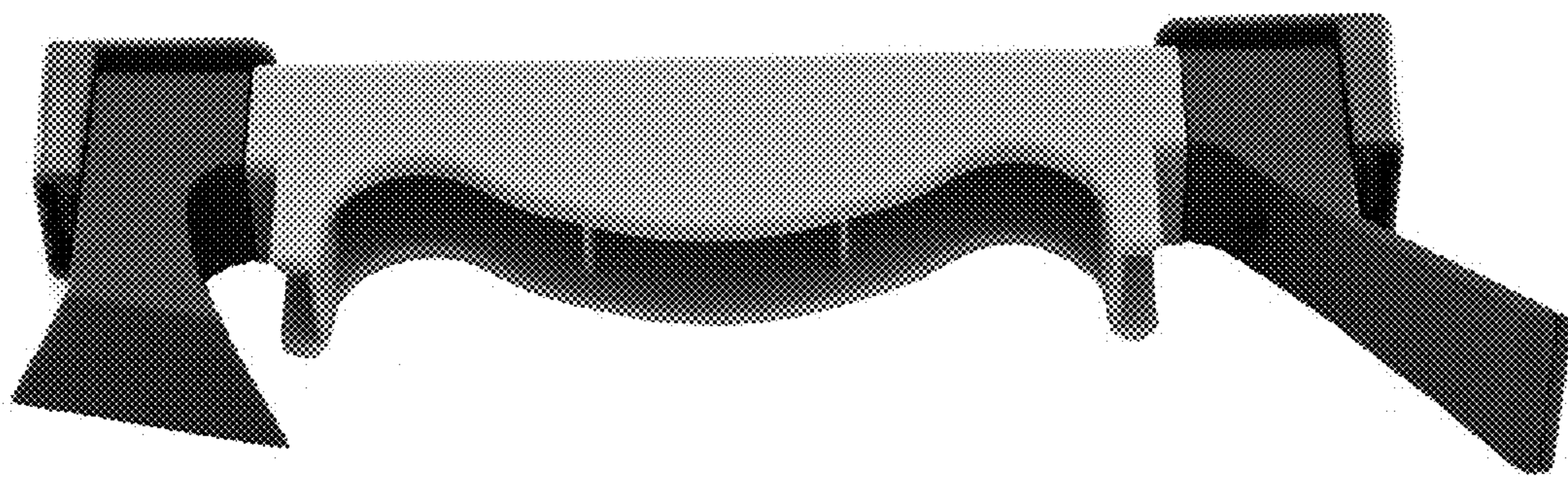


FIG. 14