



US00D636246S

(12) **United States Design Patent**
Hawker et al.

(10) **Patent No.:** **US D636,246 S**

(45) **Date of Patent:** **** Apr. 19, 2011**

(54) **HAND SAW**

(75) Inventors: **Christopher L. Hawker**, Columbus, OH (US); **Jessica A. Moreland**, Columbus, OH (US); **Christopher R. Trunek**, Auburn Township, OH (US)

(73) Assignee: **JPJ Investment Holding Corp.**, Carson City, NV (US)

(**) Term: **14 Years**

(21) Appl. No.: **29/346,091**

(22) Filed: **Oct. 27, 2009**

(51) **LOC (9) Cl.** **08-03**

(52) **U.S. Cl.** **D8/96**

(58) **Field of Classification Search** D8/95,
D8/96, 97, 107; 30/166.3, 506-509, 511,
30/513-515, 517-518, 522-523

See application file for complete search history.

(56) **References Cited**

U.S. PATENT DOCUMENTS

2,137,742	A *	11/1938	Jack	30/507
2,432,626	A *	12/1947	Lenk	30/506
2,436,743	A *	2/1948	Carlson	30/506
D160,574	S *	10/1950	Carlson	D8/96

2,532,506	A *	12/1950	Mansfield	30/511
2,658,541	A *	11/1953	Heuneman	30/507
D187,727	S *	4/1960	Dreier	D8/96
3,002,542	A *	10/1961	Dreier	30/513
D204,726	S *	5/1966	David	D8/96
3,329,186	A *	7/1967	David	30/508
3,797,545	A *	3/1974	Dreier	30/513
3,807,471	A *	4/1974	Dreier	30/513
4,381,024	A *	4/1983	Dreier	30/513
7,174,643	B2 *	2/2007	Van Der Merwe	30/507

* cited by examiner

Primary Examiner — Philip S Hyder

Assistant Examiner — RoseLynne Cody

(74) *Attorney, Agent, or Firm* — Patterson & Sheridan, LLP

(57) **CLAIM**

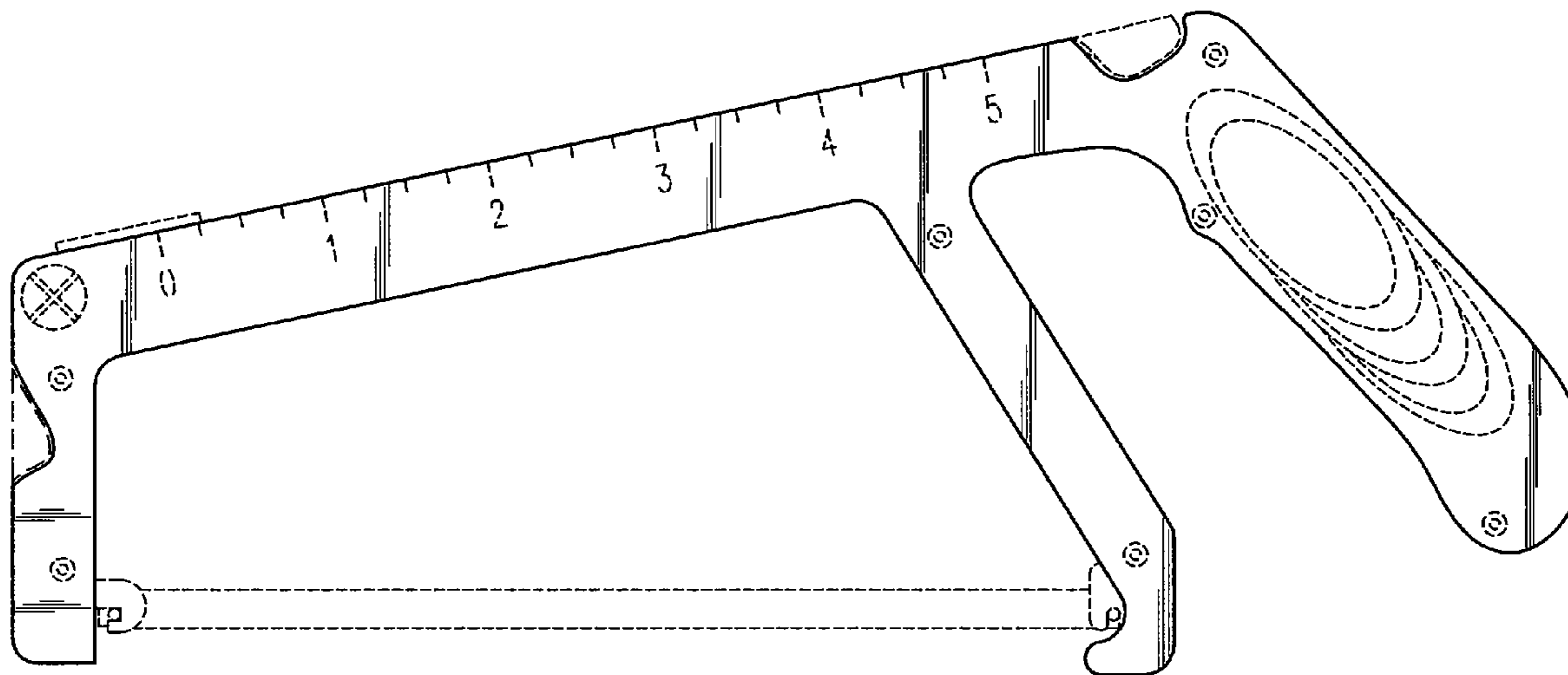
The ornamental design for a hand saw, as shown and described.

DESCRIPTION

FIG. 1 is a right side view of a hand saw showing our new design, the left side being a mirror image; FIG. 2 is a first perspective view thereof; FIG. 3 is a second perspective view thereof; FIG. 4 is a third perspective view thereof; and, FIG. 5 is a fourth perspective view thereof.

The broken lines shown in the drawings are for illustrative purposes only and form no part of the claimed invention.

1 Claim, 5 Drawing Sheets



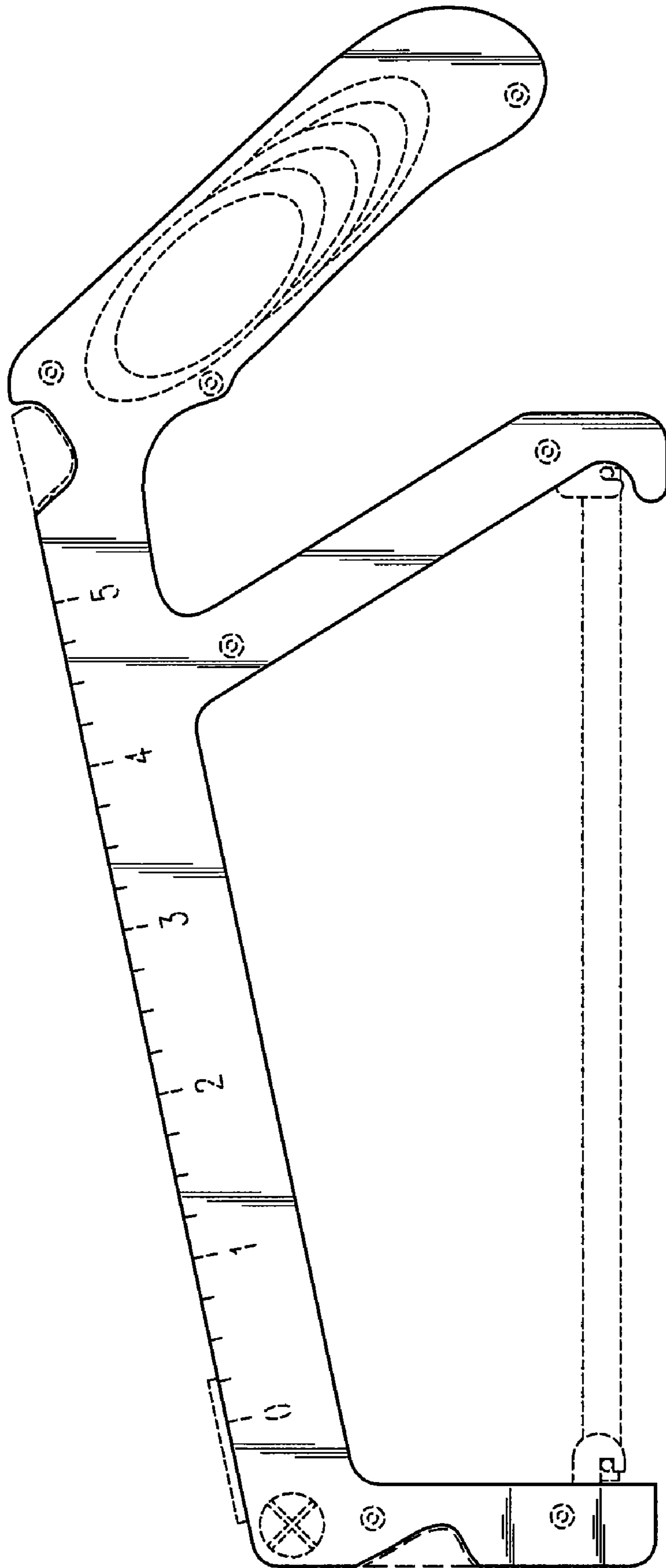


FIG. 1

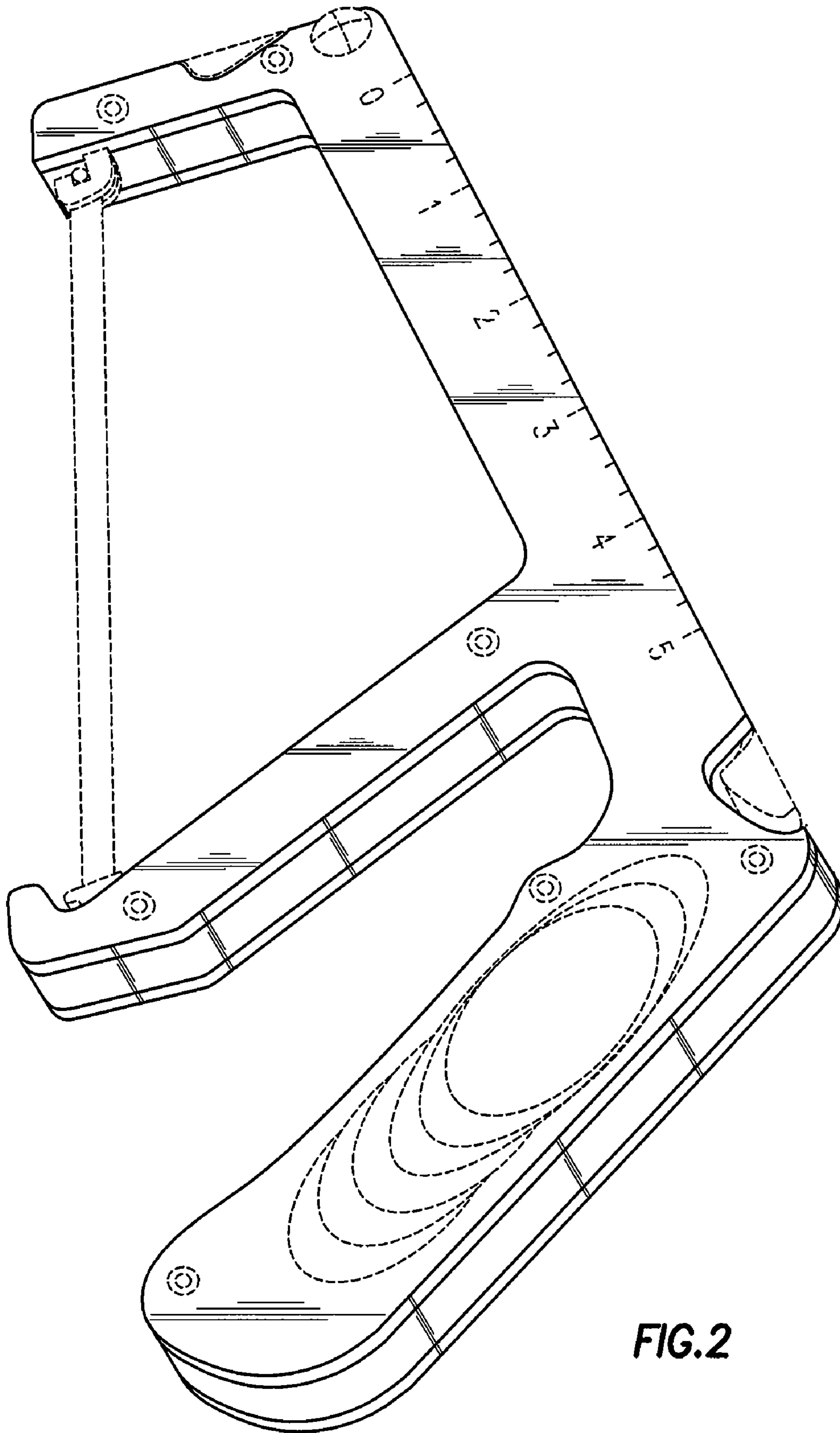


FIG.2

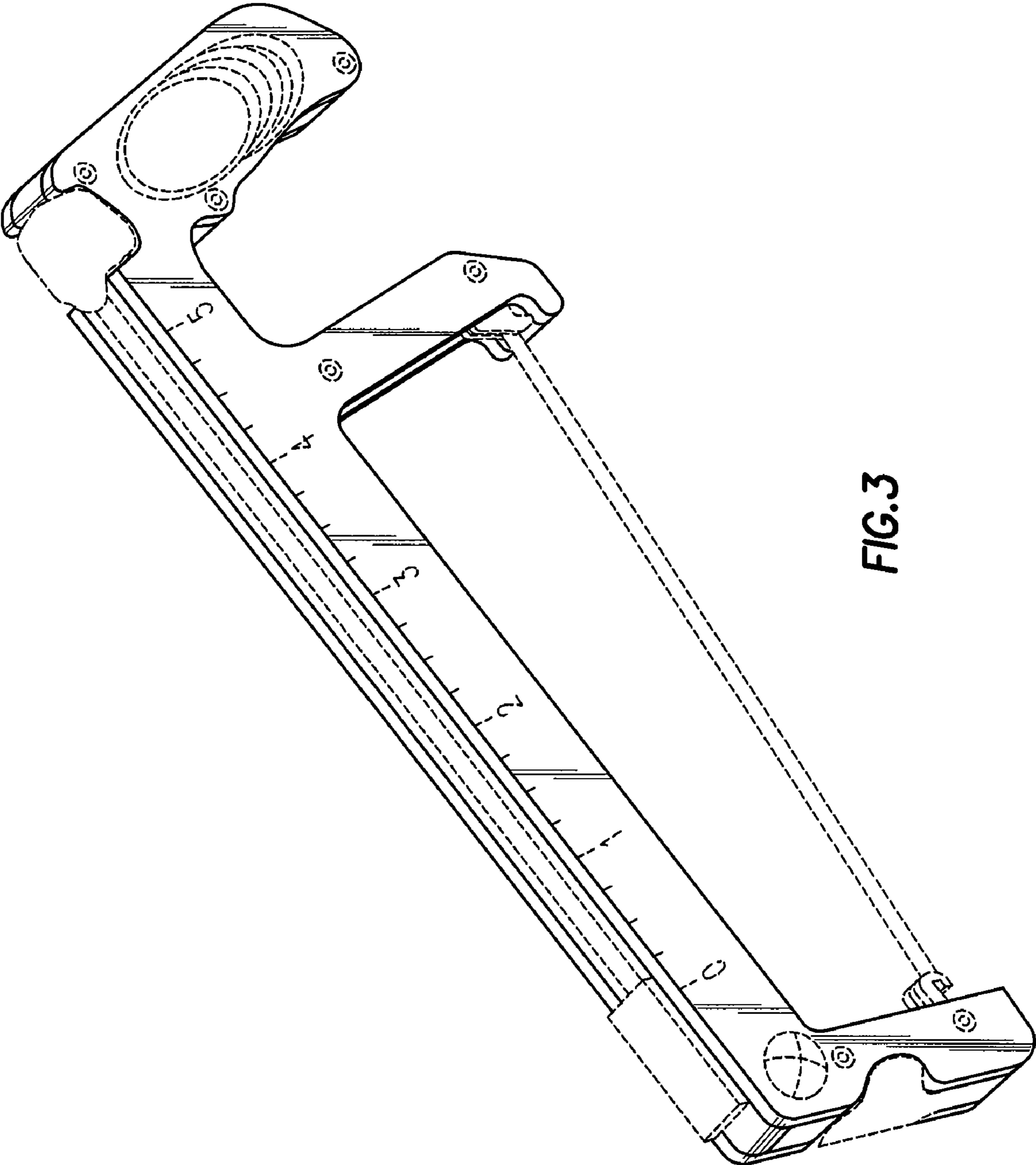


FIG. 3

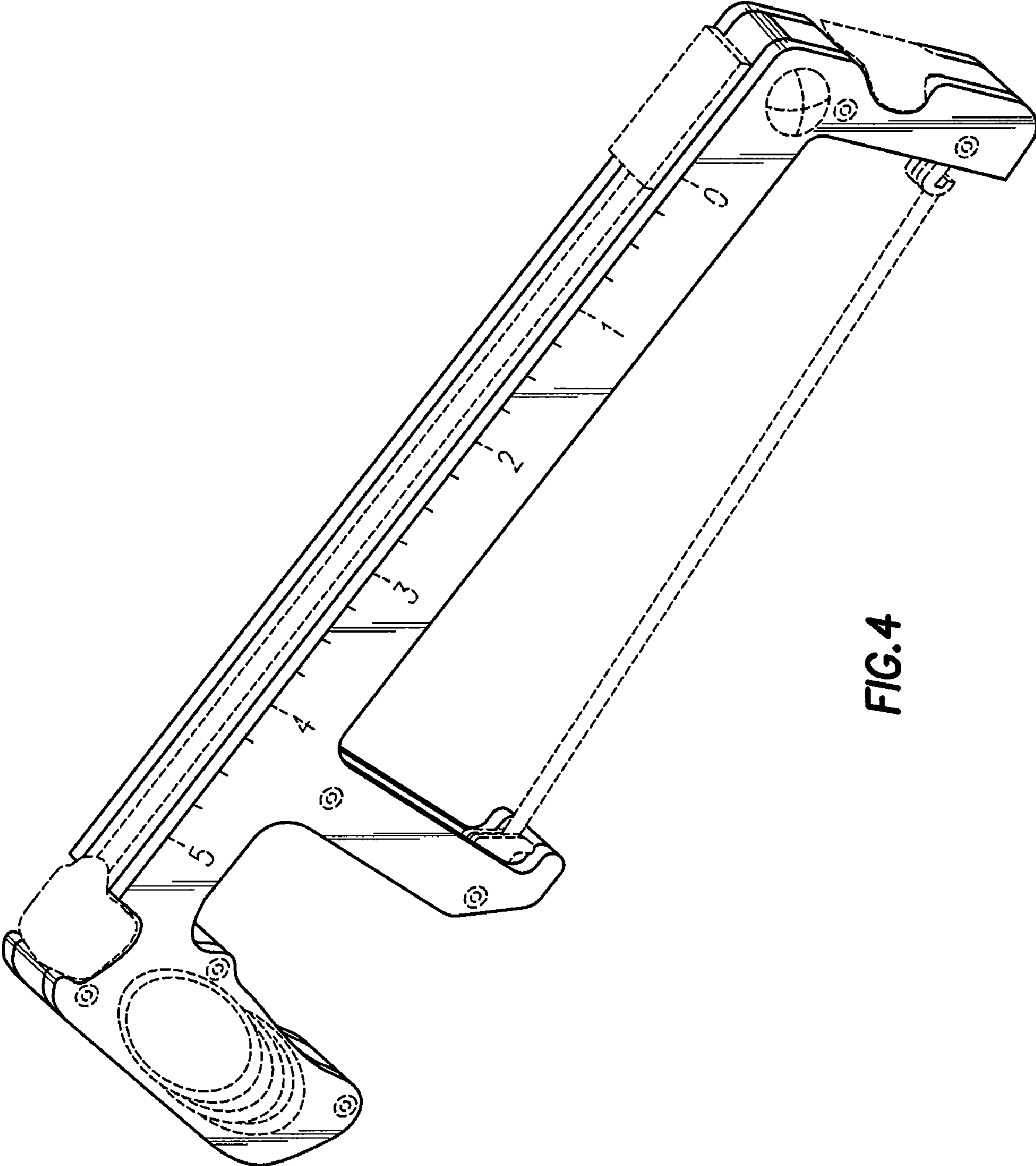


FIG. 4

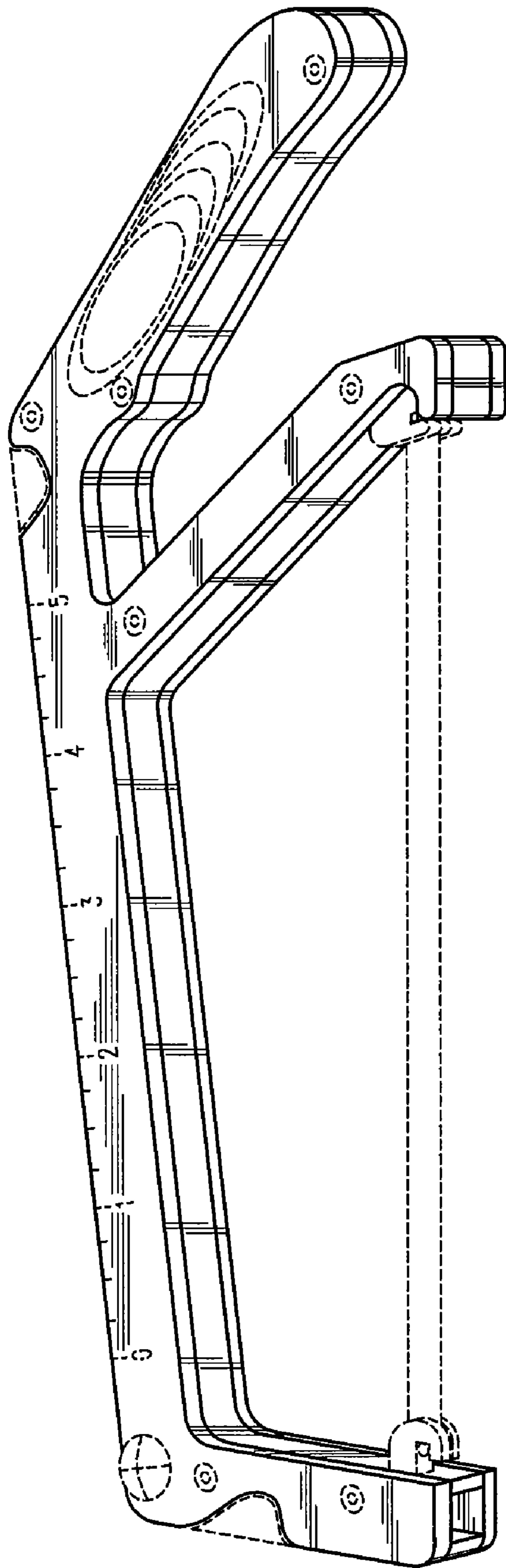


FIG.5