



US00D636245S

(12) **United States Design Patent**
Adkins

(10) **Patent No.:** **US D636,245 S**
(45) **Date of Patent:** **** Apr. 19, 2011**

(54) **RIGHT ANGLE DRIVE**
(75) Inventor: **Edward D. Adkins**, Machesney Park, IL (US)
(73) Assignee: **Nomis LLC**, Hampshire, IL (US)

6,814,156 B2 11/2004 Dieterle et al.
6,863,479 B2 3/2005 Frauhammer et al.
7,052,382 B2 5/2006 Baker
7,156,187 B1 1/2007 Townsan
7,191,494 B2 3/2007 Badiali
7,191,677 B2 3/2007 Barkdoll

(Continued)

(**) Term: **14 Years**

FOREIGN PATENT DOCUMENTS

(21) Appl. No.: **29/357,969**

WO WO 01/81053 11/2001

(22) Filed: **Mar. 19, 2010**

OTHER PUBLICATIONS

(51) **LOC (9) Cl.** **08-05**
(52) **U.S. Cl.** **D8/70**
(58) **Field of Classification Search** D8/70;
74/333, 416; 81/57.12, 57.13, 57.29, 177.2;
173/29, 216; 192/415; 279/75, 155, 905;
408/240; 409/215; 433/112, 125, 128
See application file for complete search history.

Milescraft, Universal Power Tool Attachments & Accessories—Drills & Drivers—Drive 90, pages printed from website, <http://www.milescraft.com/product/1302.html>, 3 pages, date last visited Jun. 1, 2010, known prior to filing of application on Mar. 19, 2010.

Primary Examiner — Antoine D Davis
(74) *Attorney, Agent, or Firm* — Reinhart Boerner Van Deuren P.C.

(56) **References Cited**

(57) **CLAIM**

U.S. PATENT DOCUMENTS

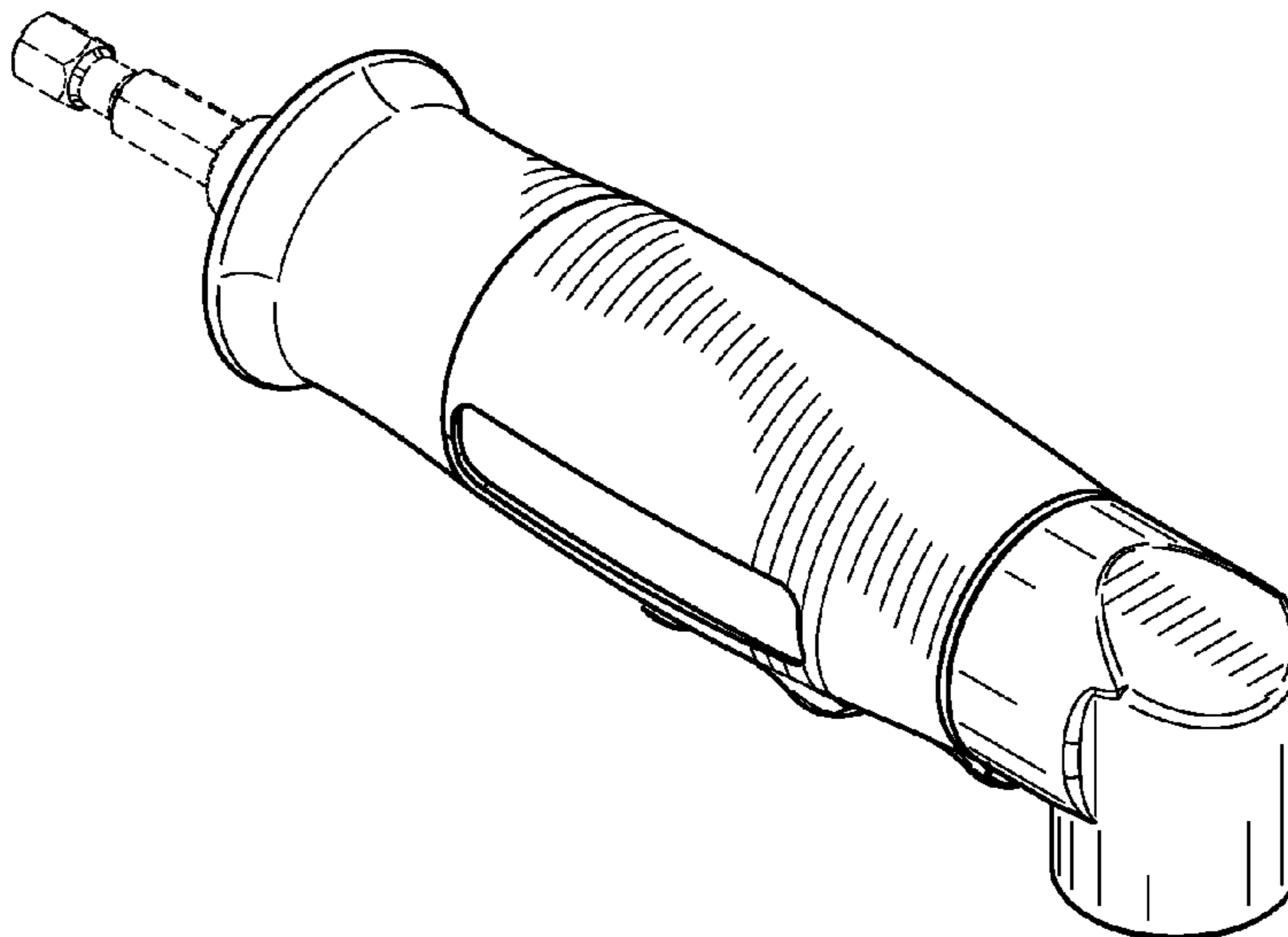
The ornamental design for a right angle drive, as shown and described.

1,750,957 A	3/1930	Fowler	
1,907,904 A	5/1933	Emburg et al.	
2,545,659 A	3/1951	Ginter	
3,783,955 A	1/1974	Gill	
4,276,675 A	7/1981	Pioch	
4,368,556 A	1/1983	Wanner et al.	
4,441,564 A	4/1984	Castillo	
4,645,388 A	2/1987	Abrahamsen	
4,820,090 A	4/1989	Chen	
4,840,082 A	6/1989	Terashima et al.	
4,881,294 A	11/1989	Riedl	
4,885,963 A	12/1989	Nishikawa	
4,947,942 A	8/1990	Lightle et al.	
5,188,189 A	2/1993	Hummel	
5,251,706 A	10/1993	Evans	
5,636,698 A	6/1997	Estep et al.	
6,125,721 A	10/2000	Yang	
6,241,594 B1	6/2001	Lepold	
6,352,127 B1	3/2002	Yorde	
6,463,824 B1 *	10/2002	Prell et al.	74/417

DESCRIPTION

FIG. 1 is a top perspective view of the right angle drive; FIG. 2 is a bottom perspective view thereof; FIG. 3 is a front view thereof; FIG. 4 is a back view thereof; FIG. 5 is a side view thereof; FIG. 6 is a side view thereof showing the side opposite that shown in FIG. 5; FIG. 7 is a bottom view thereof; and, FIG. 8 is a top view thereof. The dashed lines of FIGS. 1, 2, and 4-8 are for illustrative purposes only and form no part of the claimed right angle drive design.

1 Claim, 3 Drawing Sheets



US D636,245 S

Page 2

U.S. PATENT DOCUMENTS

7,475,740	B2	1/2009	Kozina et al.	2004/0159172	A1	8/2004	Barkdoll	
2002/0185289	A1	12/2002	Yorde, Jr.	2005/0034276	A1	2/2005	Badiali	
2004/0016082	A1	1/2004	Yi	2007/0102178	A1*	5/2007	Kozina et al.	173/216
2004/0065178	A1	4/2004	Anderson et al.	2009/0272556	A1*	11/2009	Young et al.	173/216

* cited by examiner

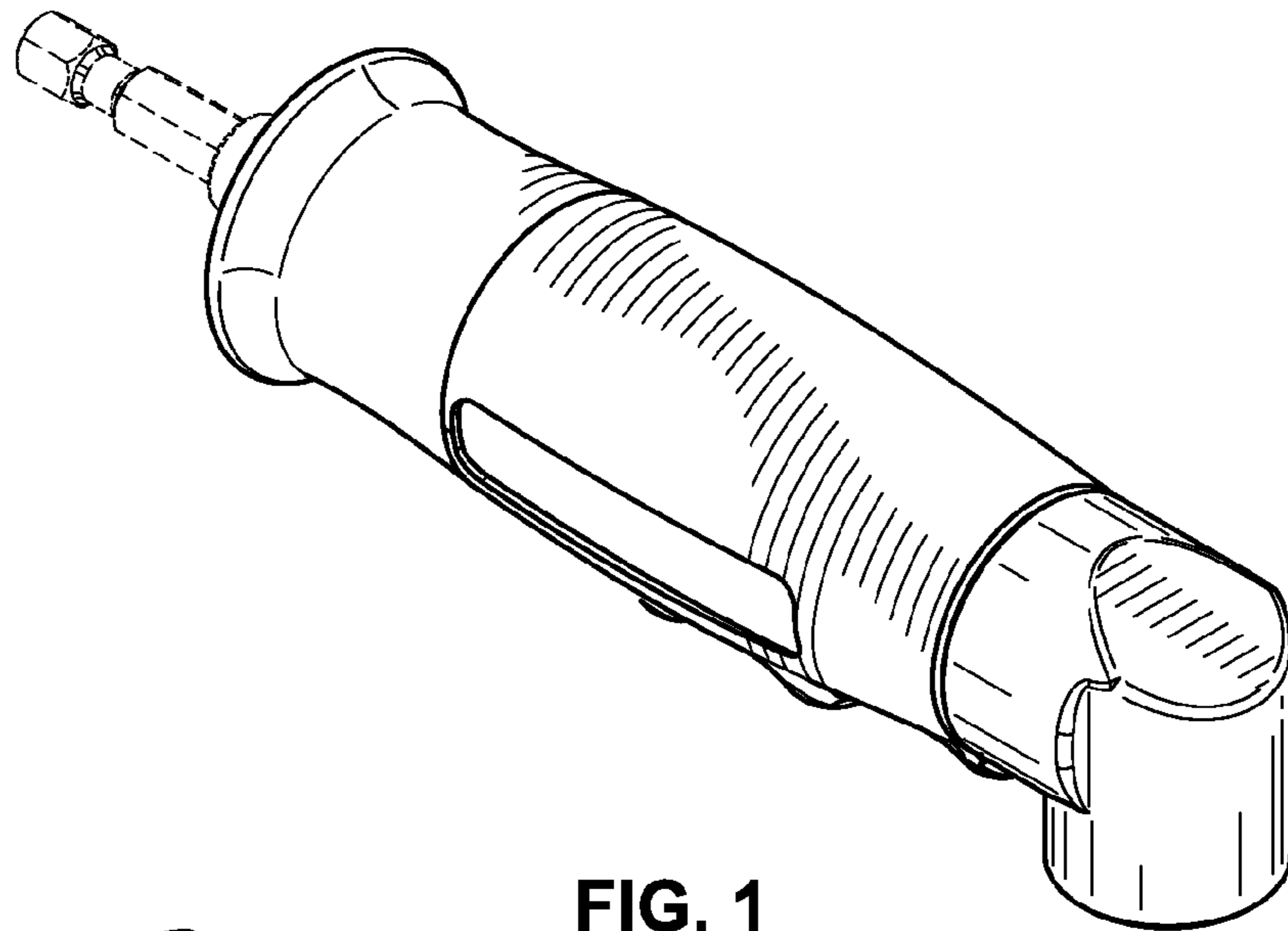


FIG. 1

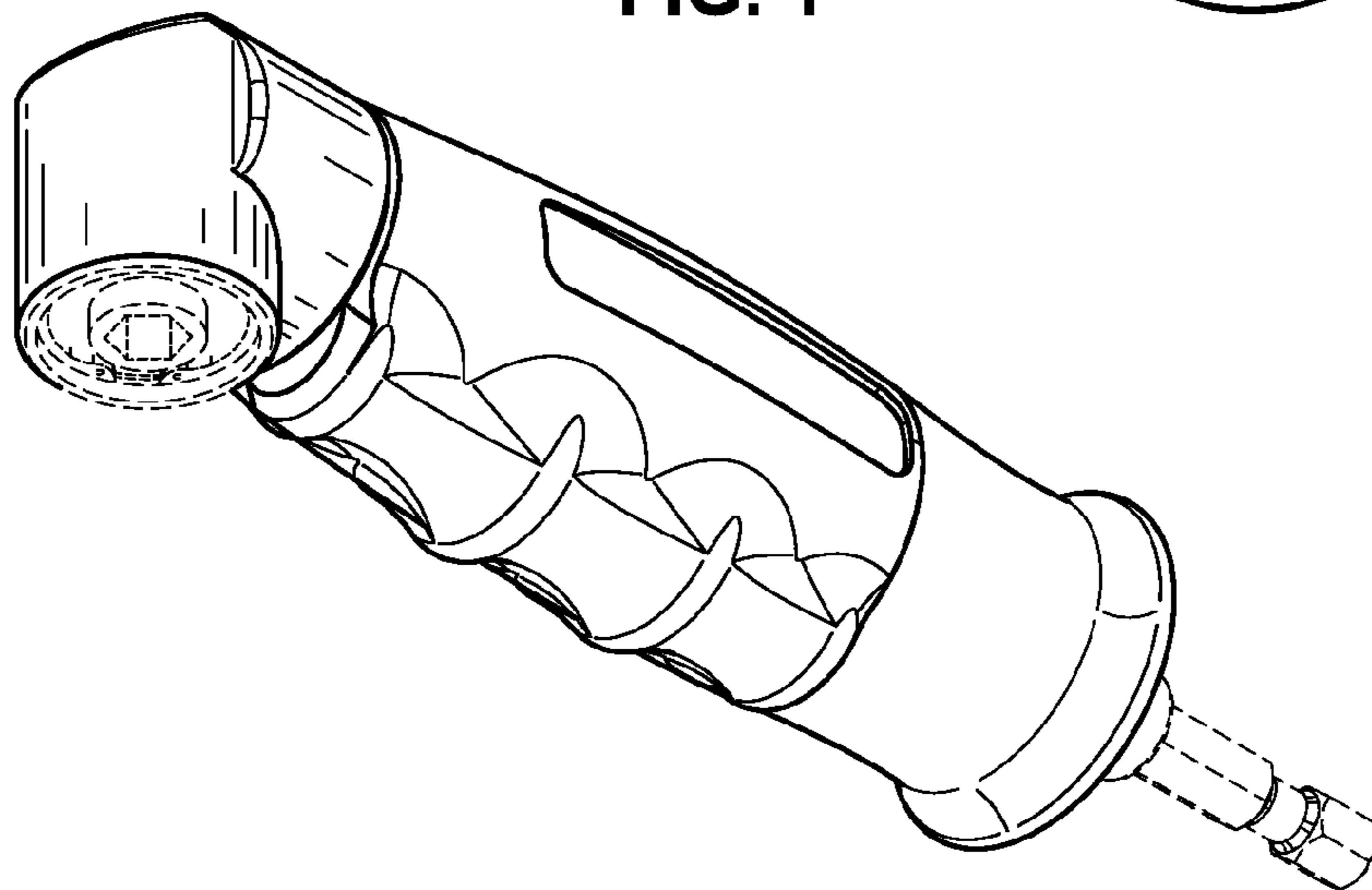


FIG. 2

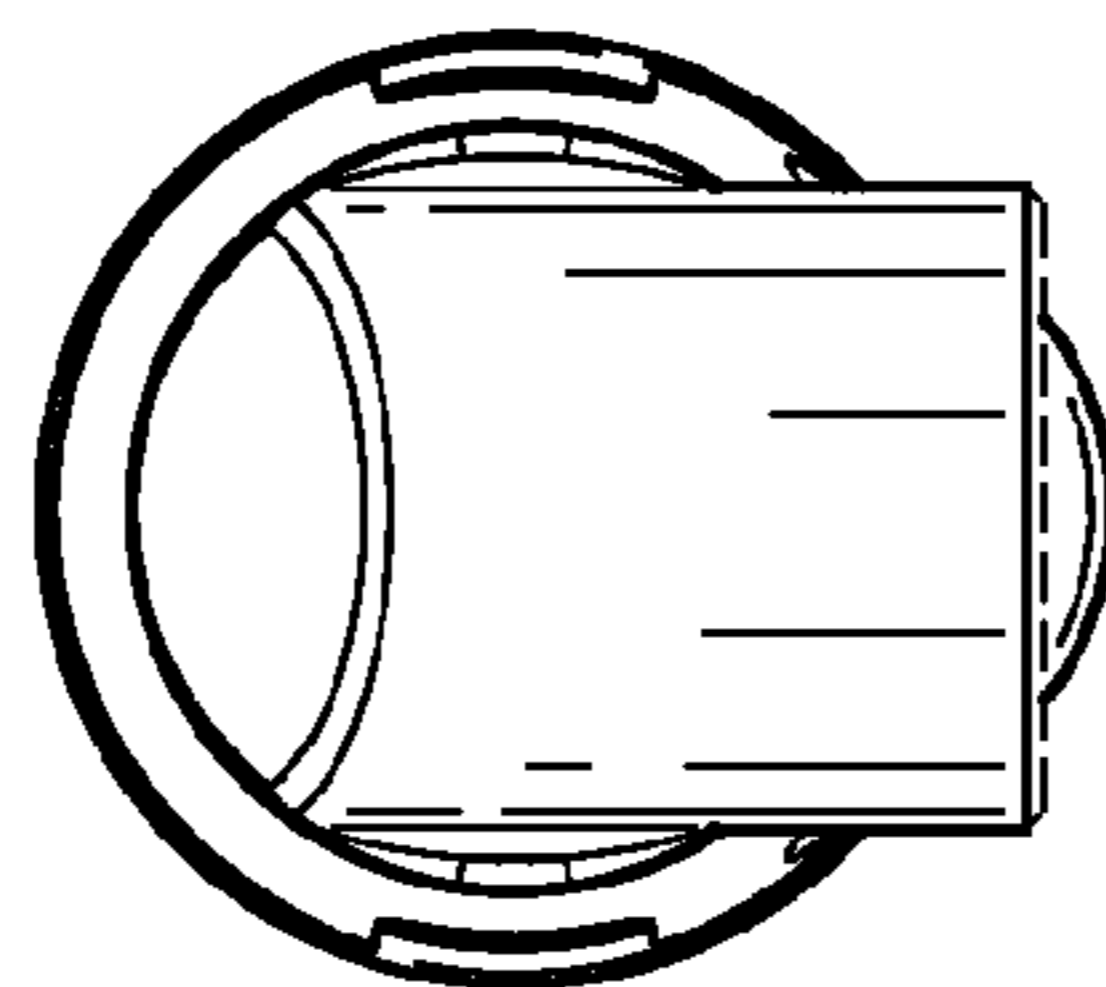


FIG. 3

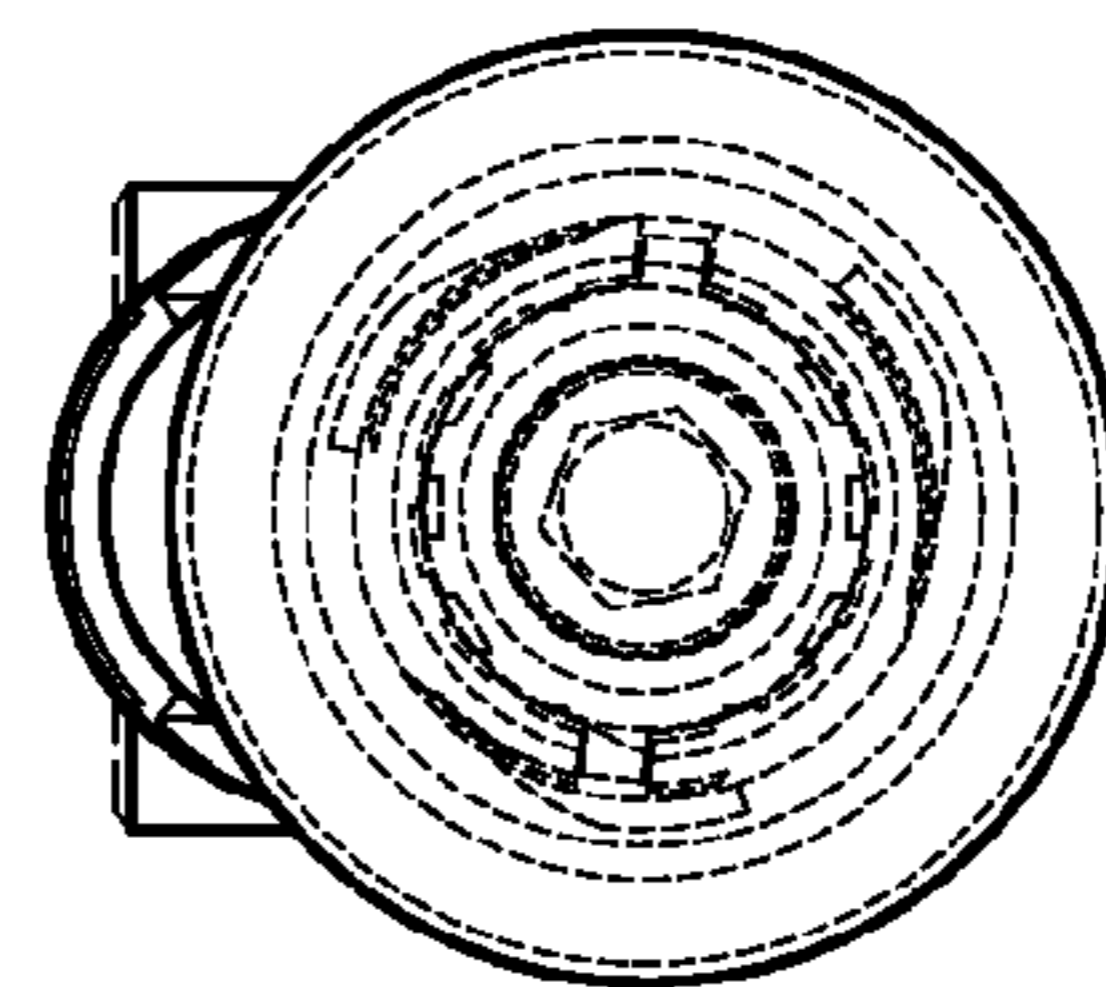


FIG. 4

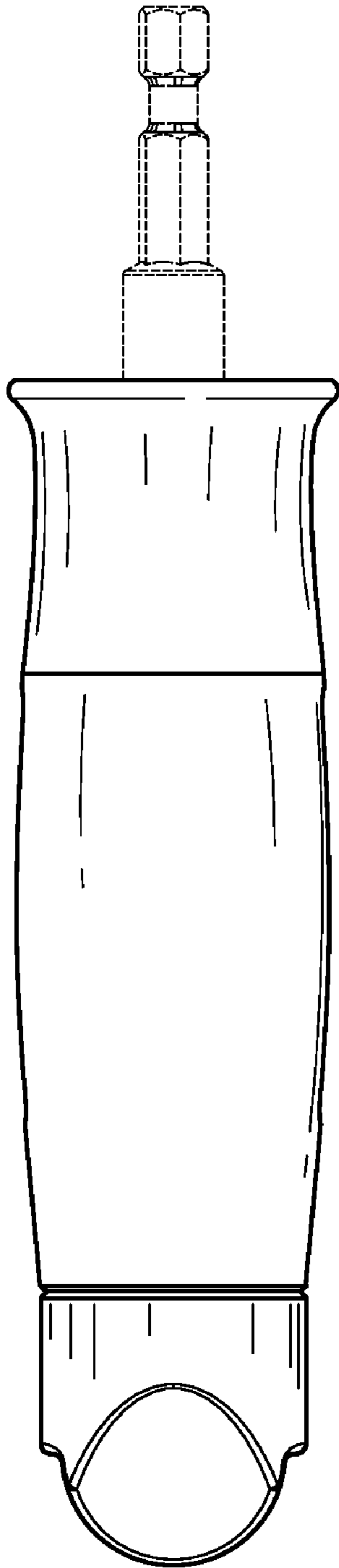


FIG. 8

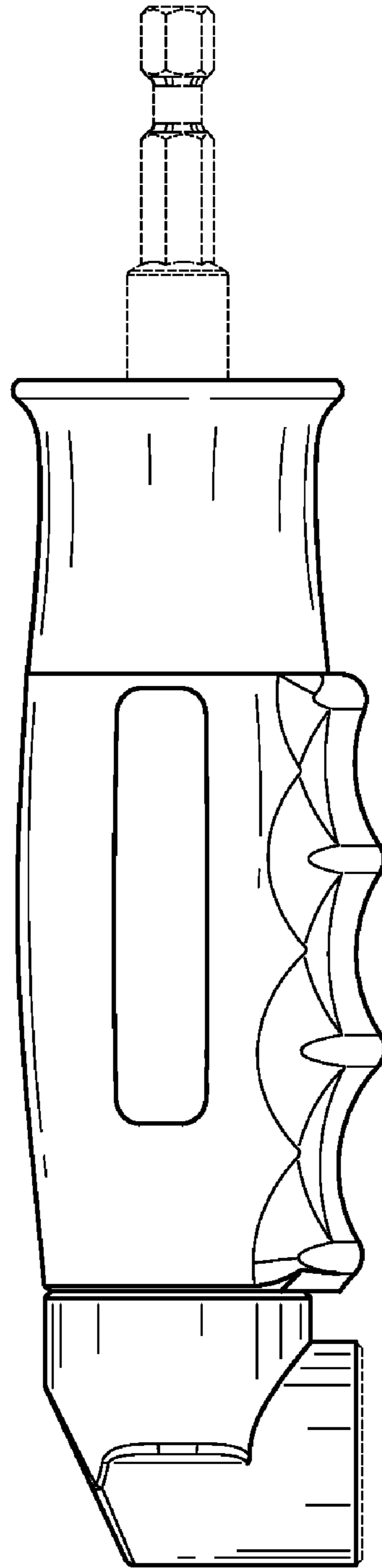


FIG. 5

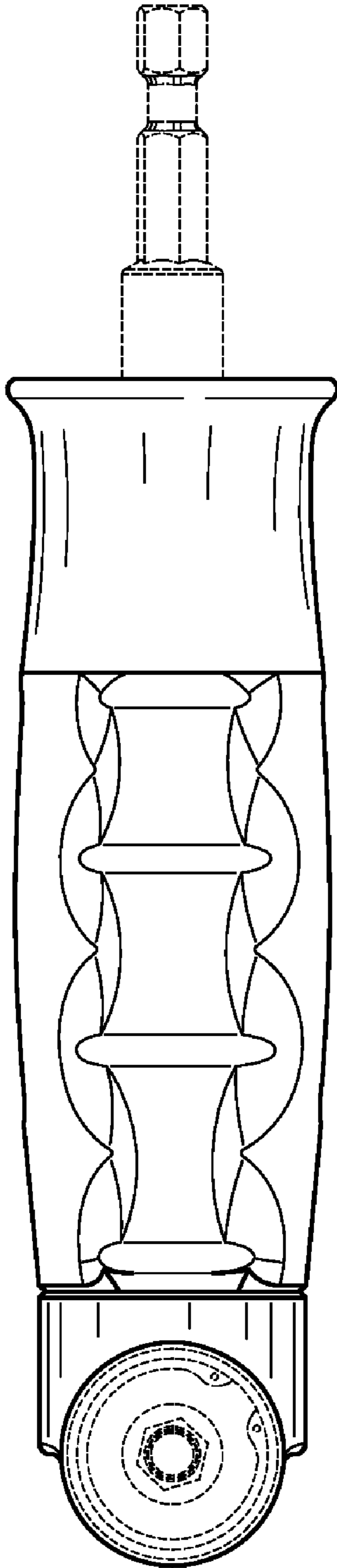


FIG. 7

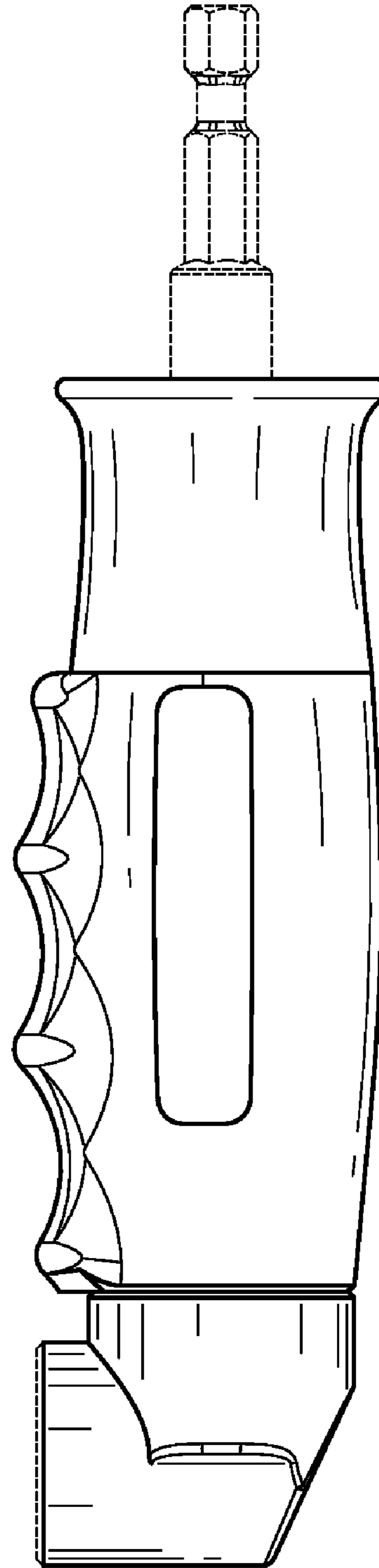


FIG. 6