



US00D636244S

(12) **United States Design Patent**  
**Keller**

(10) **Patent No.:** **US D636,244 S**

(45) **Date of Patent:** **\*\* Apr. 19, 2011**

(54) **SANDER**

(75) Inventor: **Guillaume Keller**, Nanjing (CN)

(73) Assignee: **Chevron Limited**, Hong Kong (HK)

(\*\*) Term: **14 Years**

(21) Appl. No.: **29/363,589**

(22) Filed: **Jun. 11, 2010**

(30) **Foreign Application Priority Data**

Dec. 21, 2009 (CN) ..... 2009 3 0687267

(51) **LOC (9) Cl.** ..... **08-01**

(52) **U.S. Cl.** ..... **D8/62**

(58) **Field of Classification Search** ..... D8/67,  
D8/62, 61, 70; D32/15, 17, 19; D4/102;  
451/456, 451, 359, 358, 357, 356, 355, 364,  
451/344

See application file for complete search history.

(56) **References Cited**

**U.S. PATENT DOCUMENTS**

D413,242 S \* 8/1999 Robson ..... D8/62  
D435,768 S \* 1/2001 Duffy ..... D8/62  
6,179,696 B1 \* 1/2001 Duffy ..... 451/357

D447,397 S \* 9/2001 Netzler ..... D8/62  
D465,713 S \* 11/2002 Keller ..... D8/64  
D509,720 S \* 9/2005 Robson ..... D8/62  
D526,868 S \* 8/2006 Robson ..... D8/62  
D528,387 S \* 9/2006 Robson ..... D8/62  
7,201,643 B2 \* 4/2007 Dineen et al. .... 451/356  
RE40,345 E \* 5/2008 Duffy ..... 451/357  
D573,857 S \* 7/2008 Stratford et al. .... D8/62  
D585,257 S \* 1/2009 Stratford et al. .... D8/62

\* cited by examiner

*Primary Examiner* — Austin Murphy

(74) *Attorney, Agent, or Firm* — Greenberg, Traurig, LLP

(57) **CLAIM**

What is claimed is the ornamental design for a sander, as shown and described.

**DESCRIPTION**

FIG. 1 is a left side elevational view of a sander showing my new design, the right side elevational view being a mirror image thereof;

FIG. 2 is a top plan view thereof;

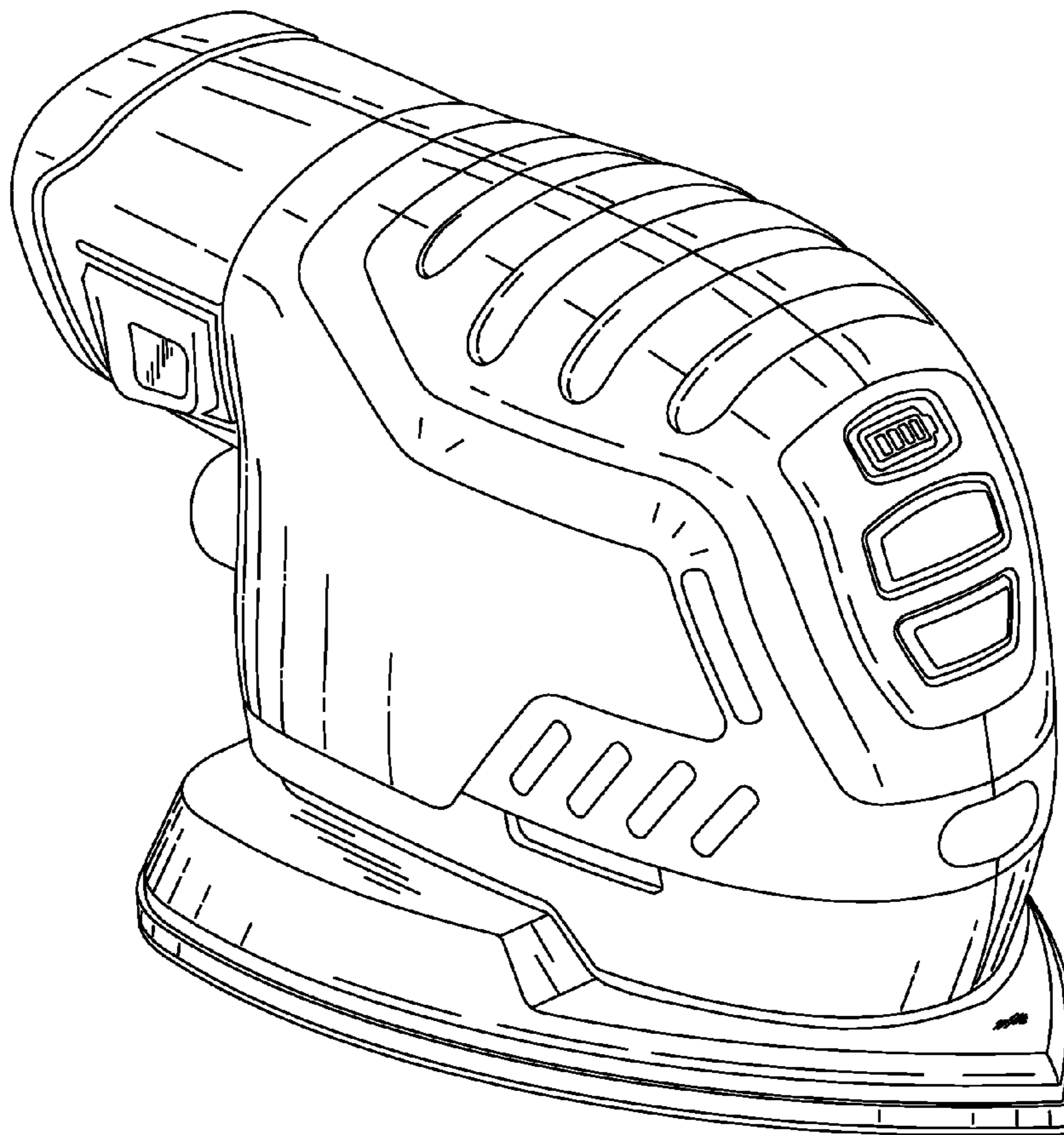
FIG. 3 is a bottom plan view thereof;

FIG. 4 is a front elevational view thereof;

FIG. 5 is a rear elevational view thereof; and,

FIG. 6 is a perspective view thereof.

**1 Claim, 6 Drawing Sheets**



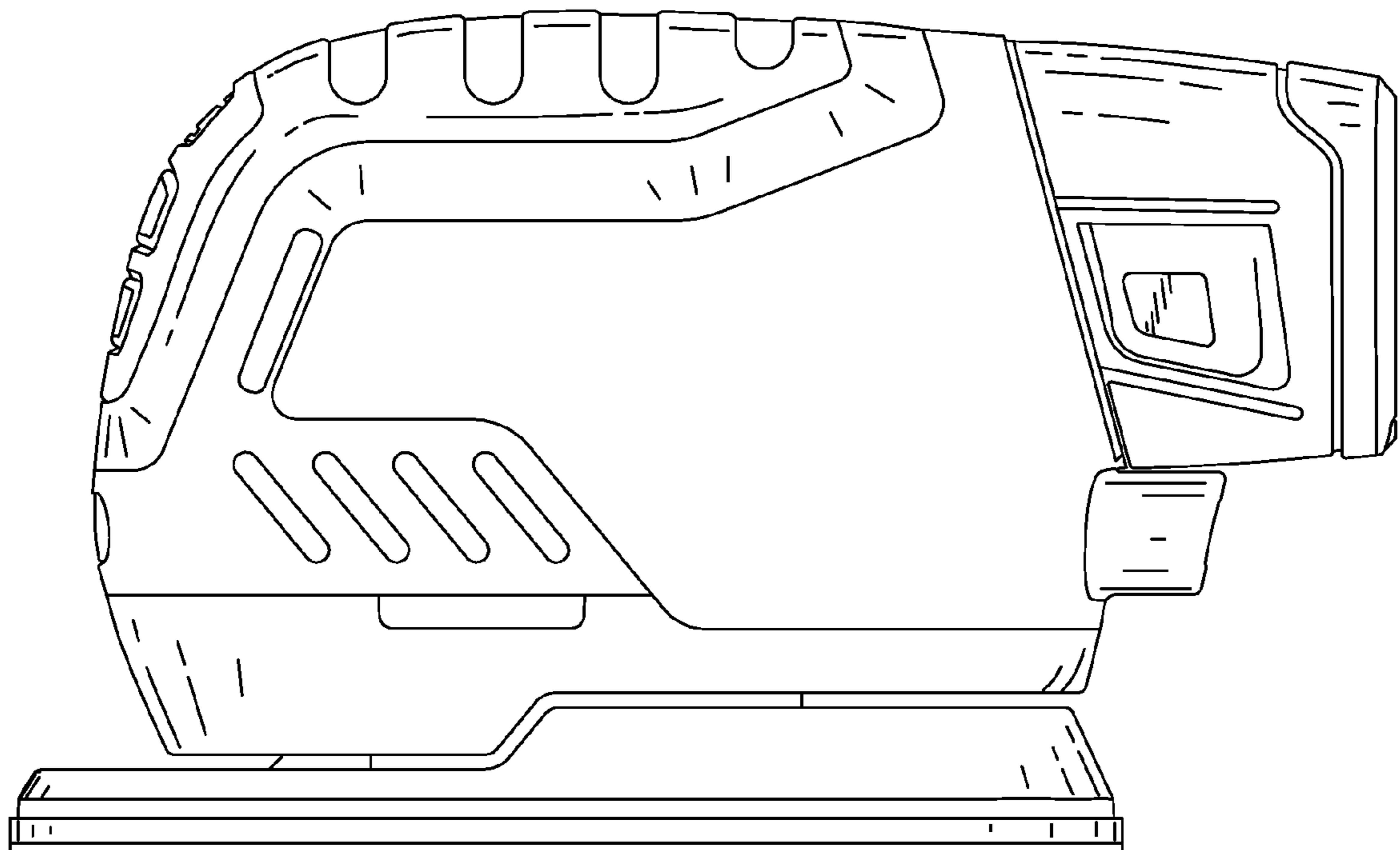


FIG. 1

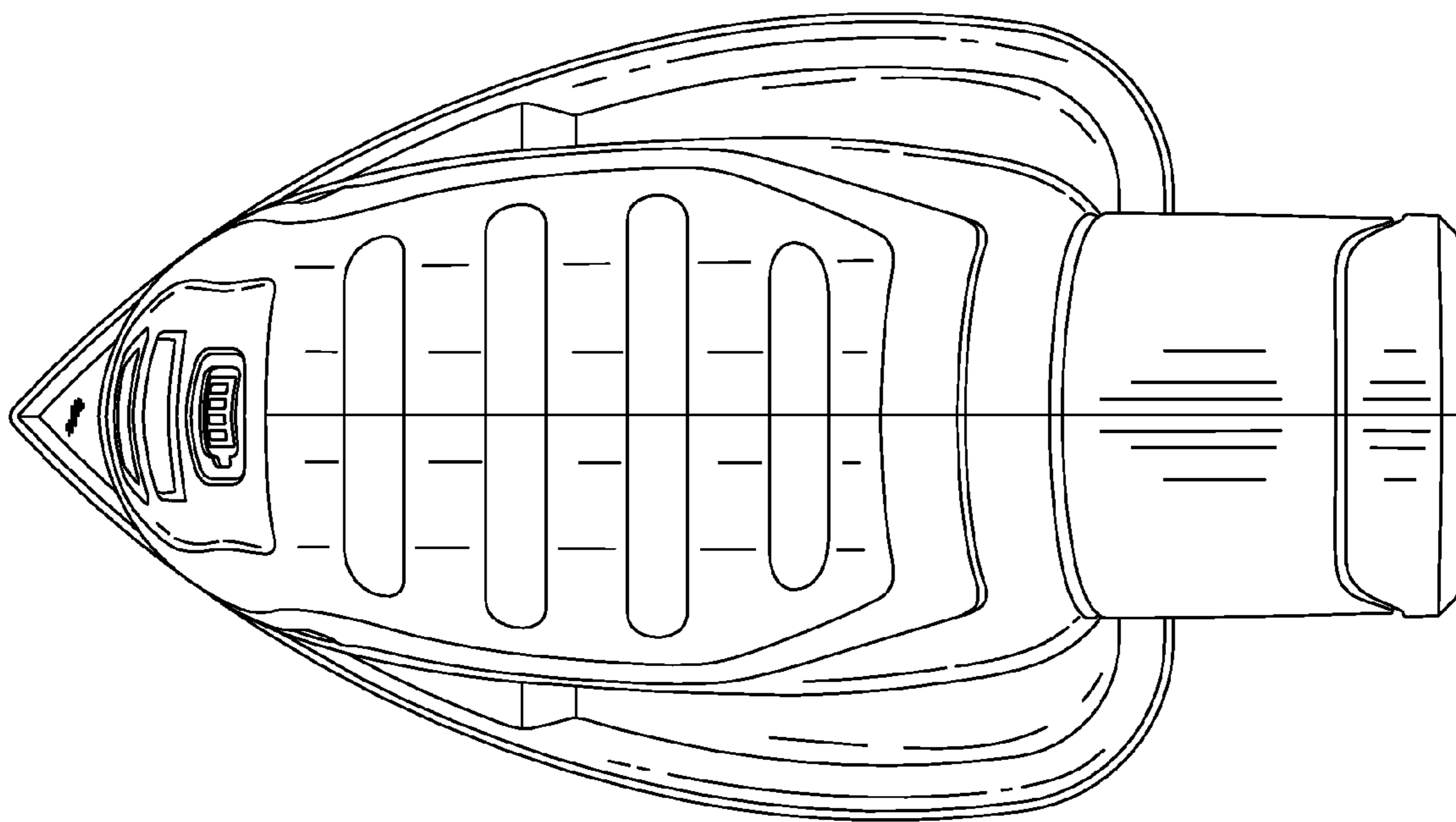


FIG. 2

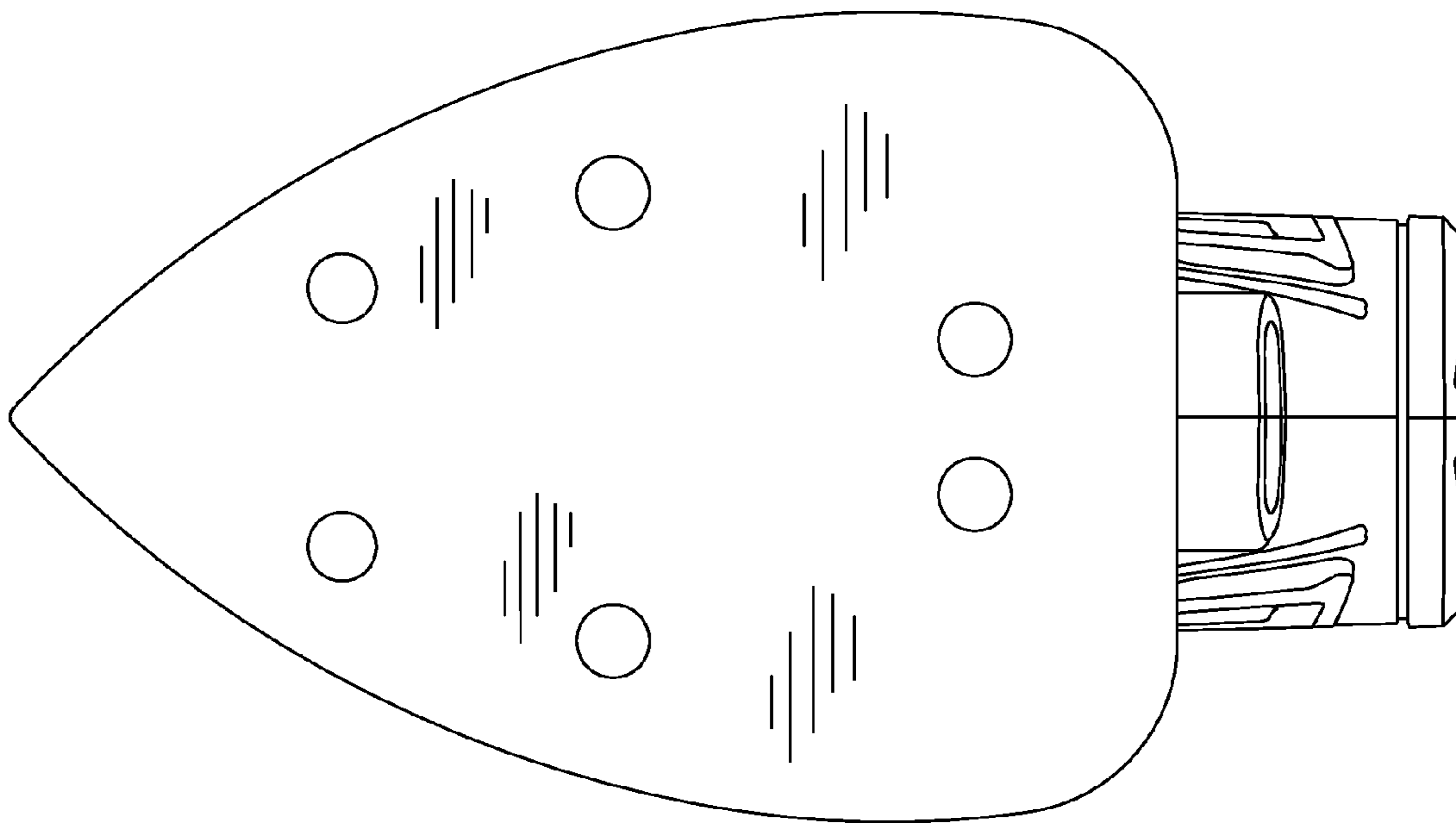


FIG. 3

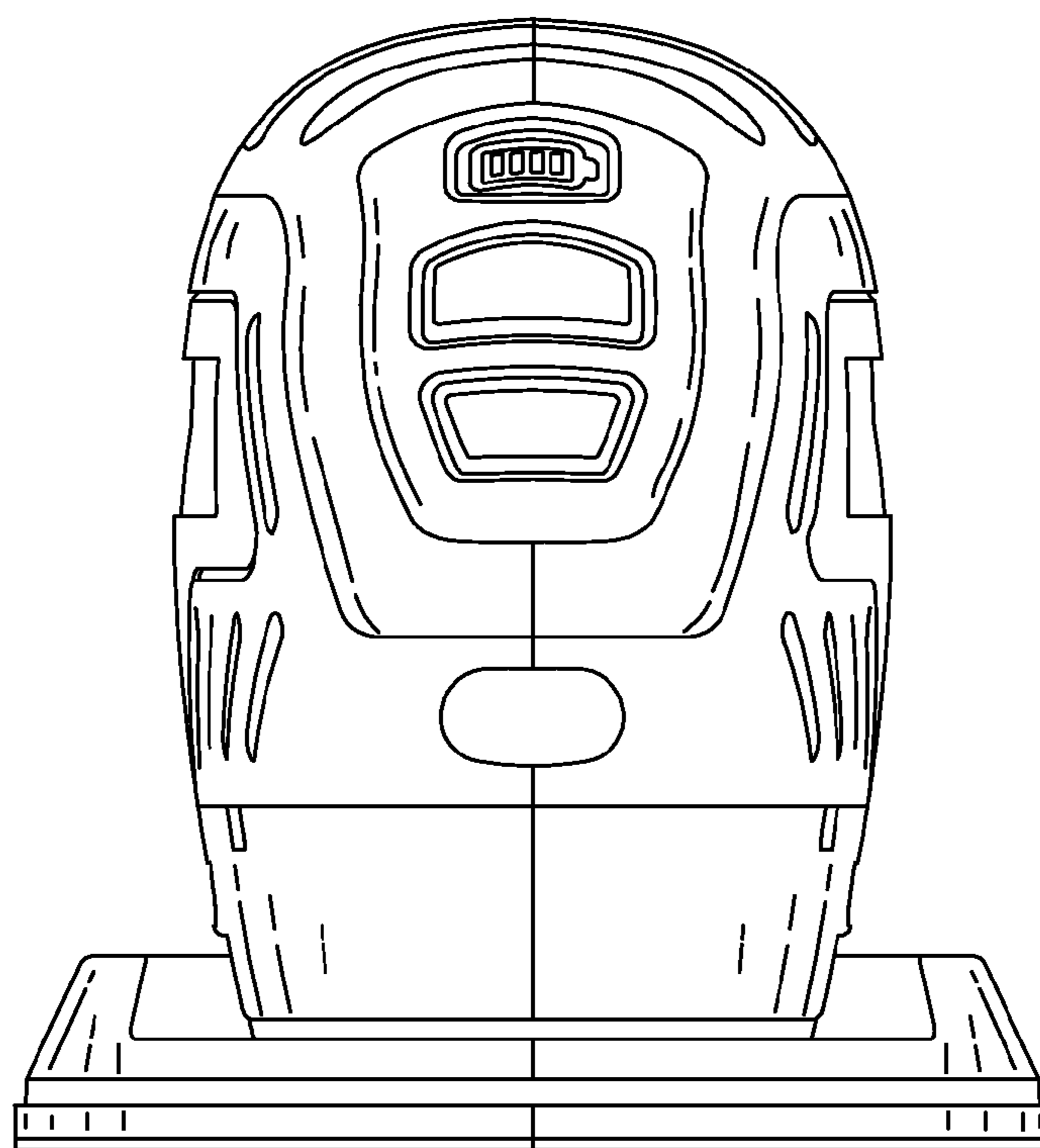


FIG. 4

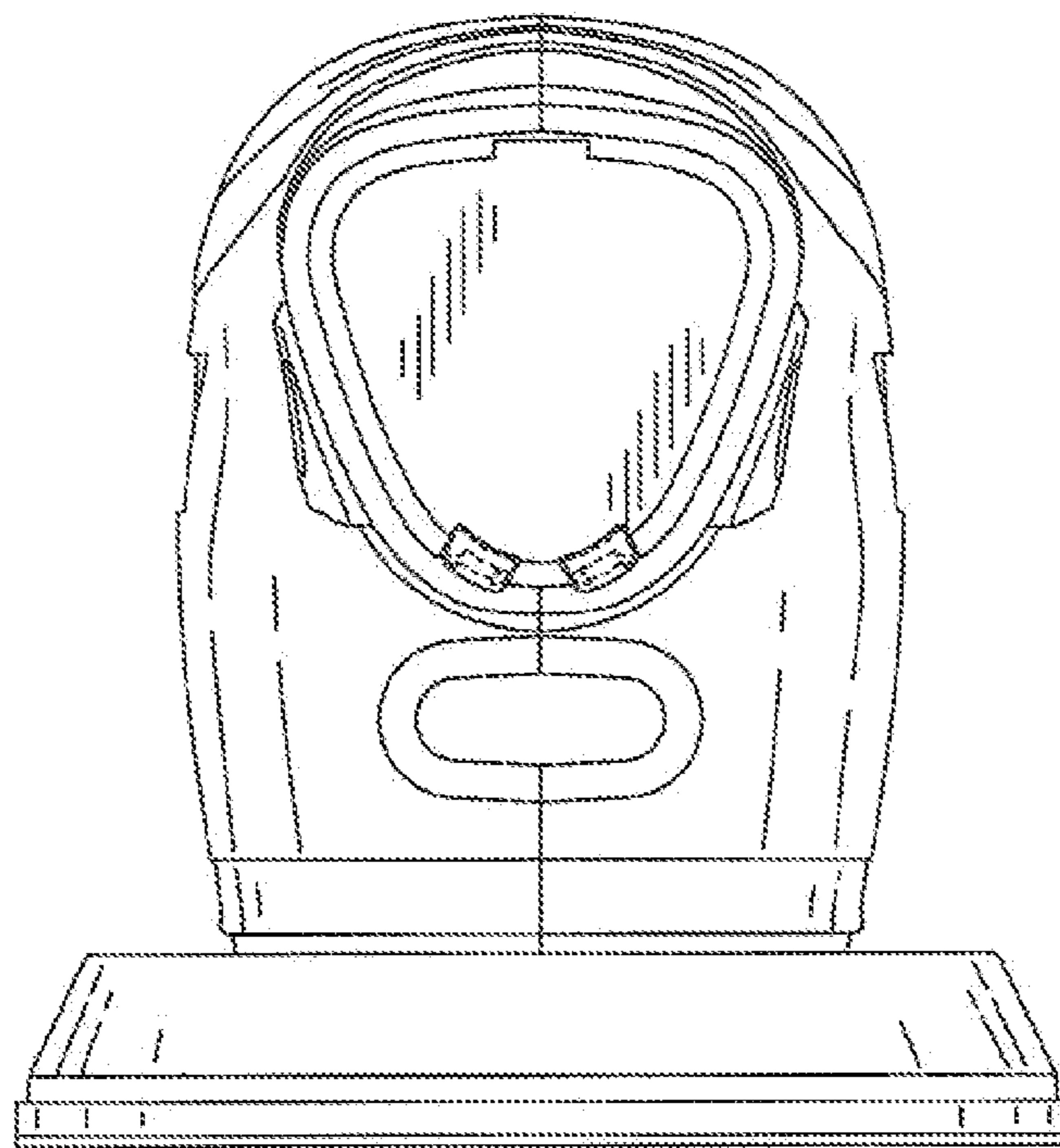


FIG. 5

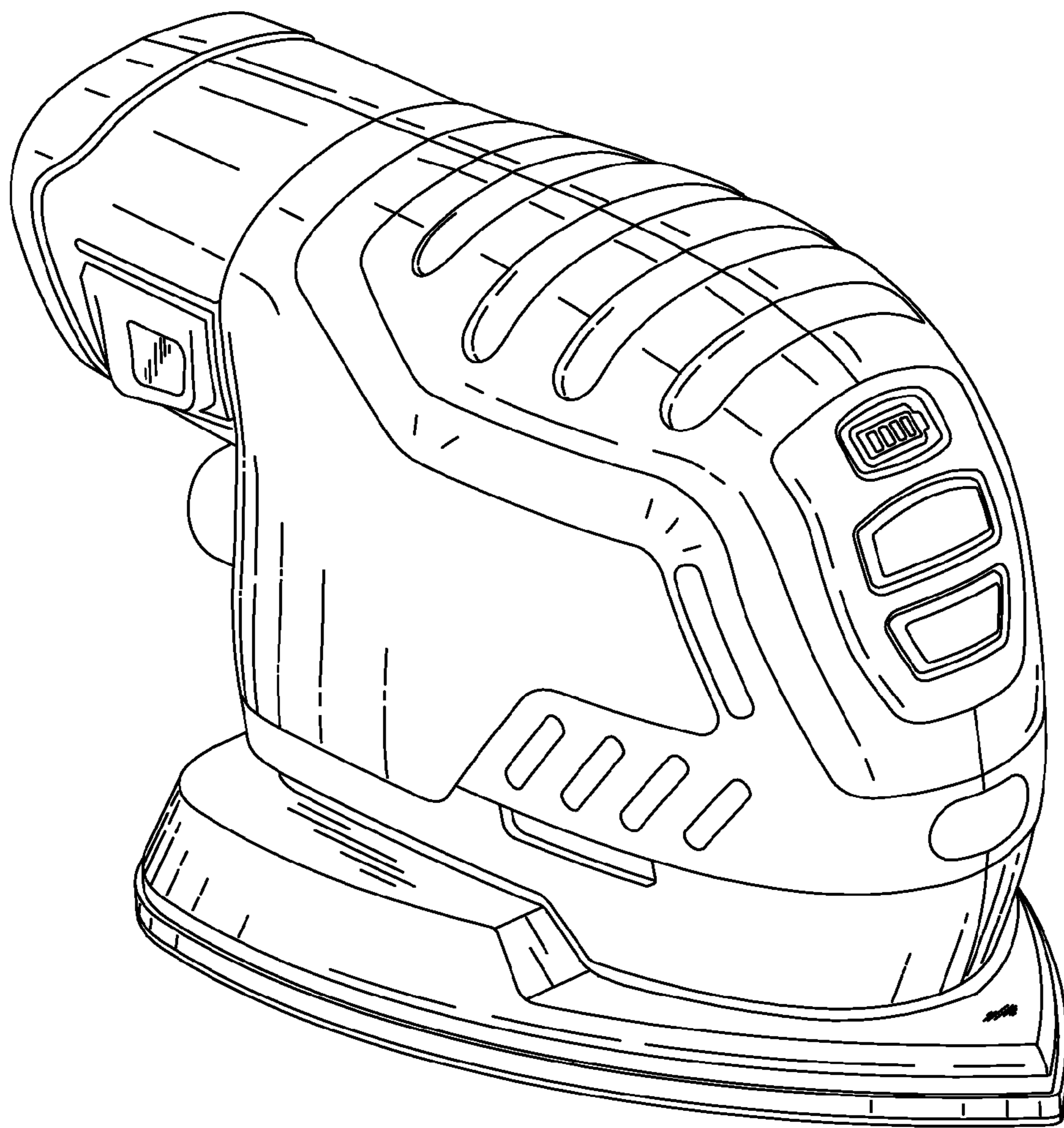


FIG. 6