



US00D636242S

(12) **United States Design Patent**  
**Stephens et al.**

(10) **Patent No.:** **US D636,242 S**

(45) **Date of Patent:** **\*\* Apr. 19, 2011**

(54) **CORKSCREW**

(75) Inventors: **Brian Stephens**, Glenageary (IE);  
**Diarmuid MacMahon**, Dundrum (IE);  
**Matthew Bates**, Deansgrange (IE)

(73) Assignee: **Le Creuset SAS**, Fresnoy le Grand (FR)

(\*\*) Term: **14 Years**

(21) Appl. No.: **29/364,288**

(22) Filed: **Jun. 22, 2010**

(30) **Foreign Application Priority Data**

Dec. 23, 2009 (EM) ..... 001186951-0001

(51) **LOC (9) Cl.** ..... **07-99**

(52) **U.S. Cl.** ..... **D8/39**

(58) **Field of Classification Search** ..... D8/14,  
D8/16-20, 33-43, 88, 89, 105; 7/113, 151-156;  
30/400-410, 416-430, 433, 434, 443, 450;  
81/3.07, 3.09, 3.2, 3.27, 3.29, 3.31, 3.35,  
81/3.37, 3.4, 3.45, 3.48, 3.49, 3.55

See application file for complete search history.

(56) **References Cited**

U.S. PATENT DOCUMENTS

D289,365 S *	4/1987	Lee .....	D8/41
D476,541 S *	7/2003	Kushner et al. ....	D8/39
D482,250 S *	11/2003	Vitrac .....	D8/39
D523,712 S *	6/2006	Yeung .....	D8/39
D567,607 S *	4/2008	Simons .....	D8/39

\* cited by examiner

*Primary Examiner* — Garth Rademaker

(74) *Attorney, Agent, or Firm* — Wood, Herron & Evans, LLP

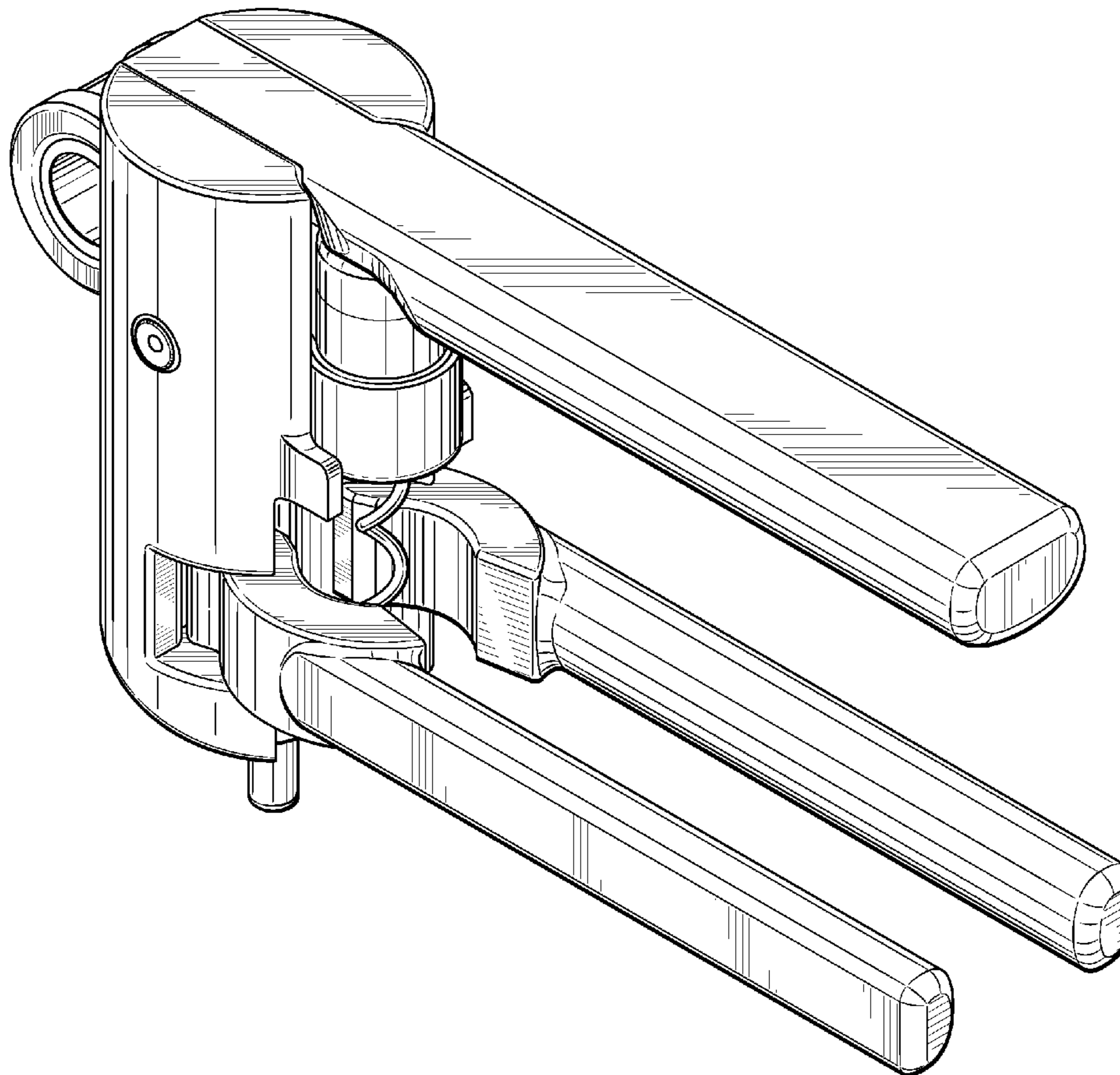
(57) **CLAIM**

The design for a corkscrew, as shown and described.

**DESCRIPTION**

FIG. 1 is a front perspective view of a corkscrew showing our new design;  
FIG. 2 is a rear bottom perspective view thereof;  
FIG. 3 is a front elevational view thereof;  
FIG. 4 is a left side elevational view thereof;  
FIG. 5 is a right side elevational view thereof;  
FIG. 6 is a rear elevational view thereof;  
FIG. 7 is a top plan view thereof; and,  
FIG. 8 is a bottom plan view thereof.

**1 Claim, 6 Drawing Sheets**



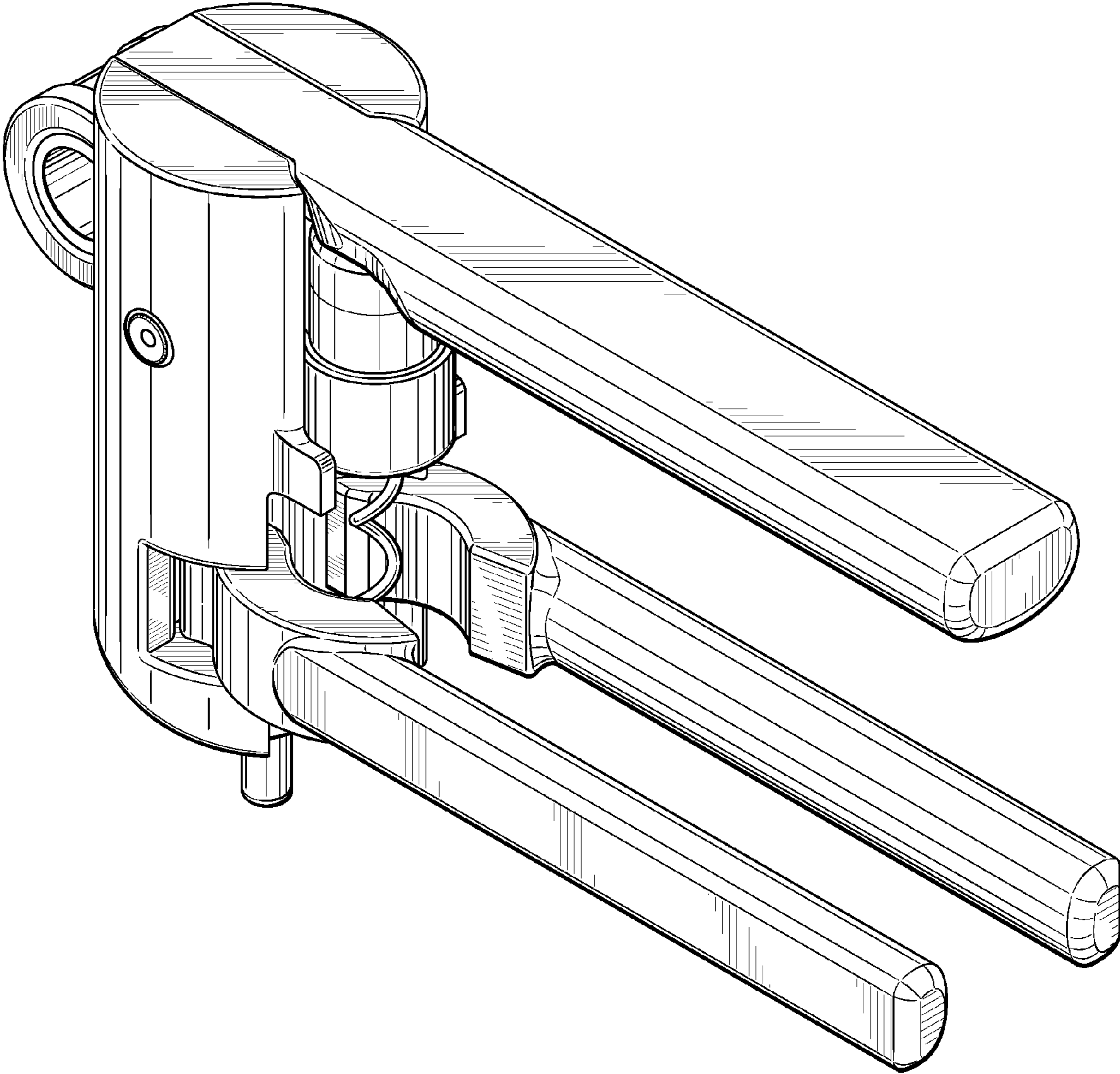


FIG. 1

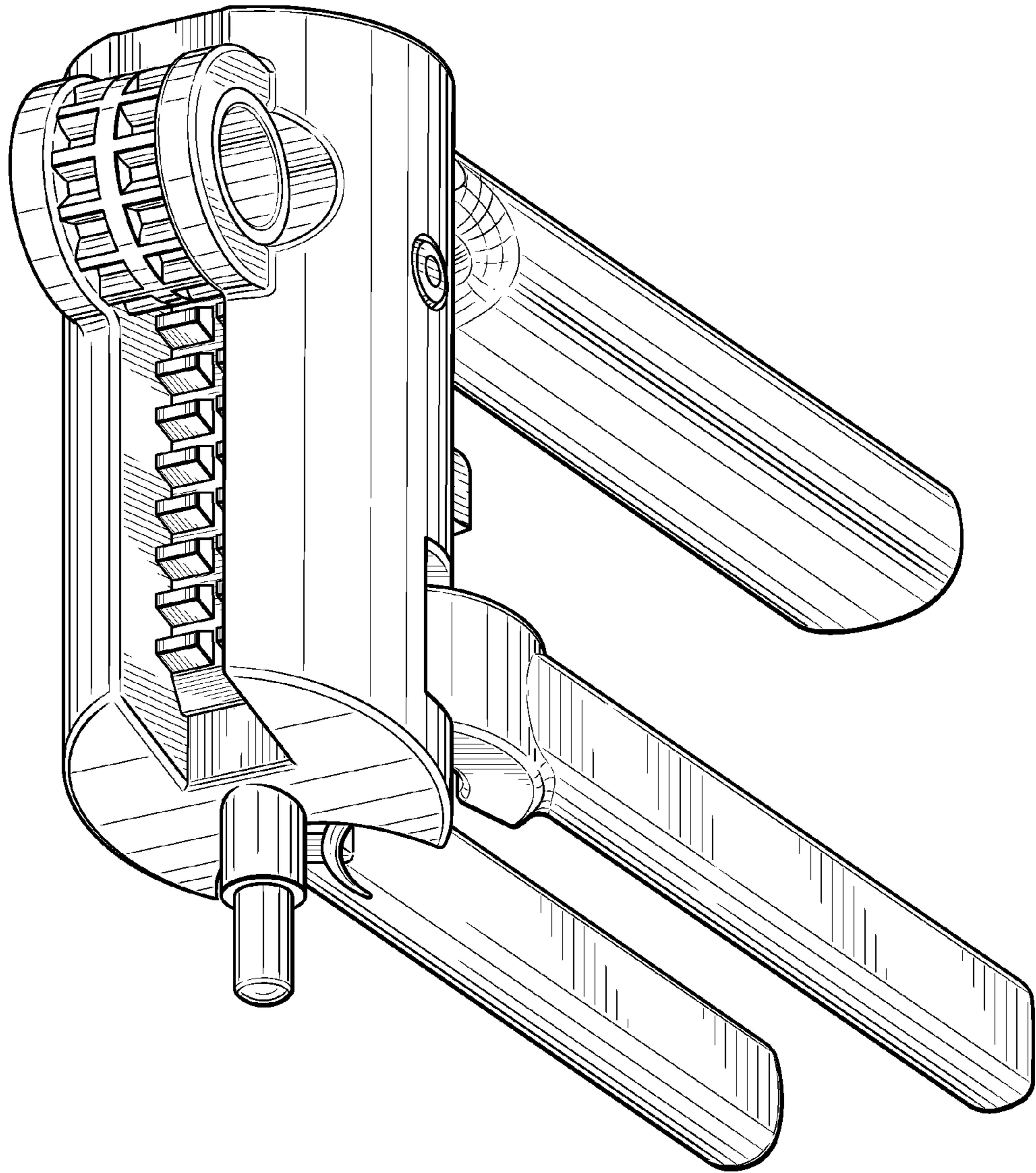


FIG. 2

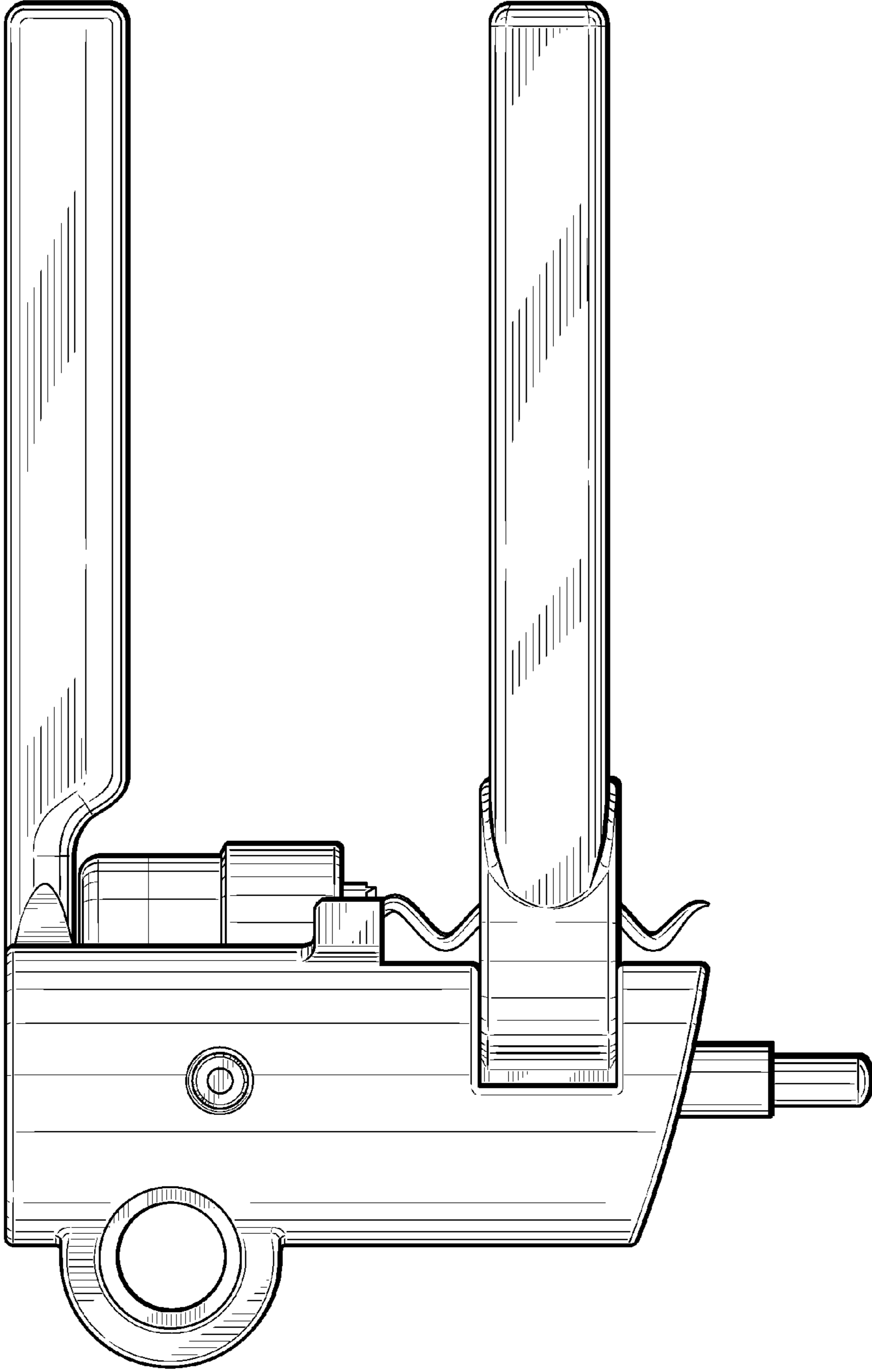


FIG. 3

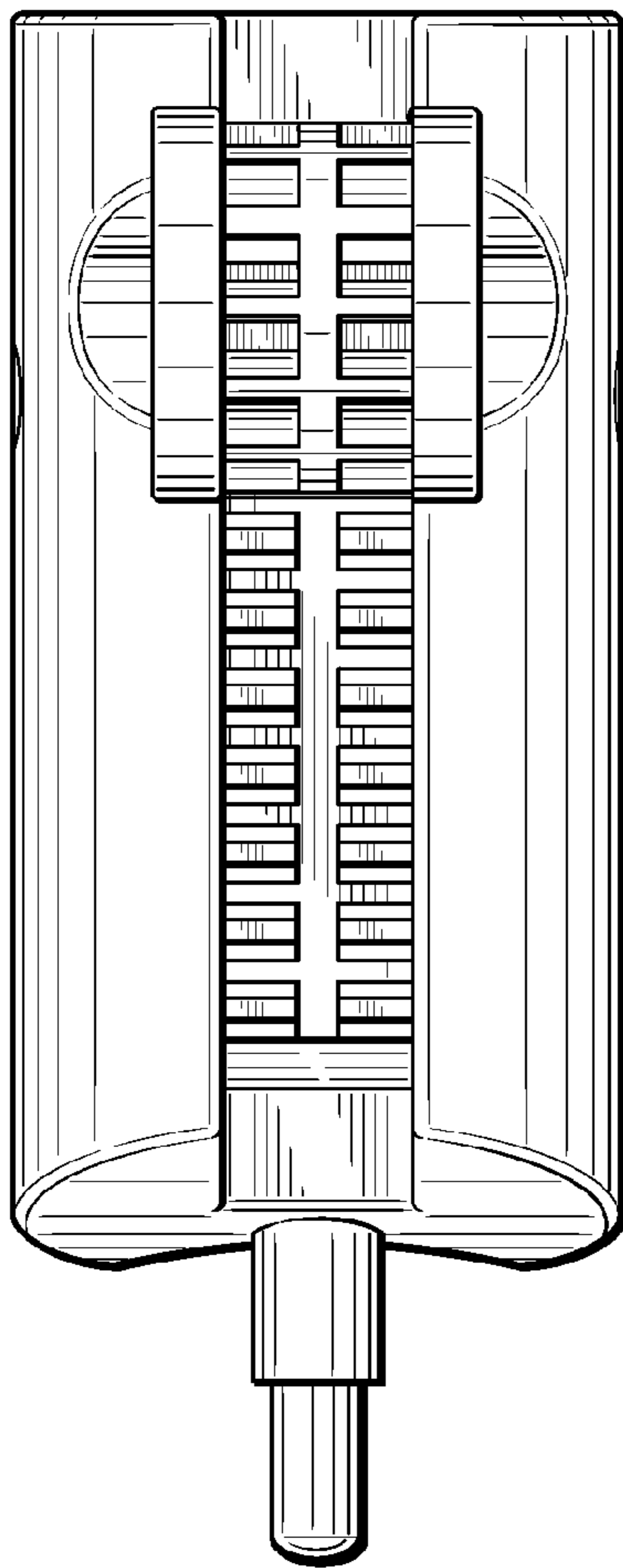


FIG. 4

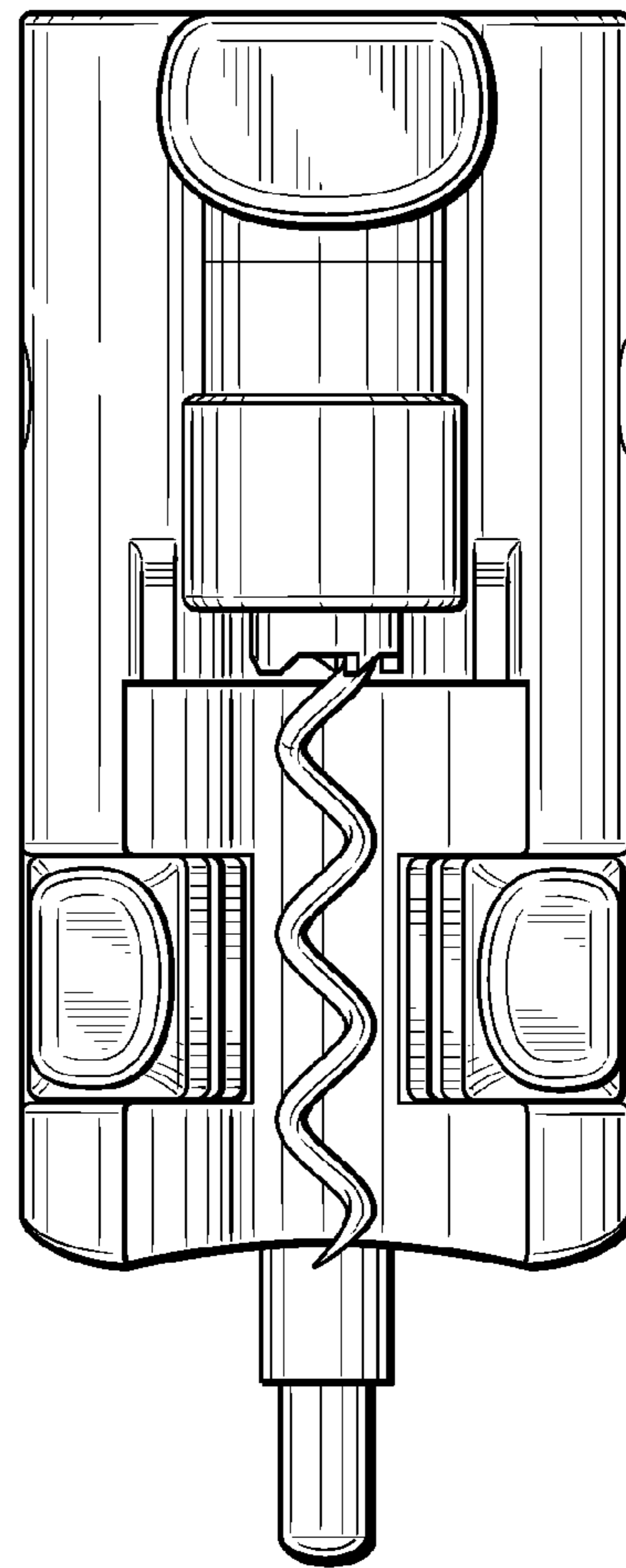


FIG. 5

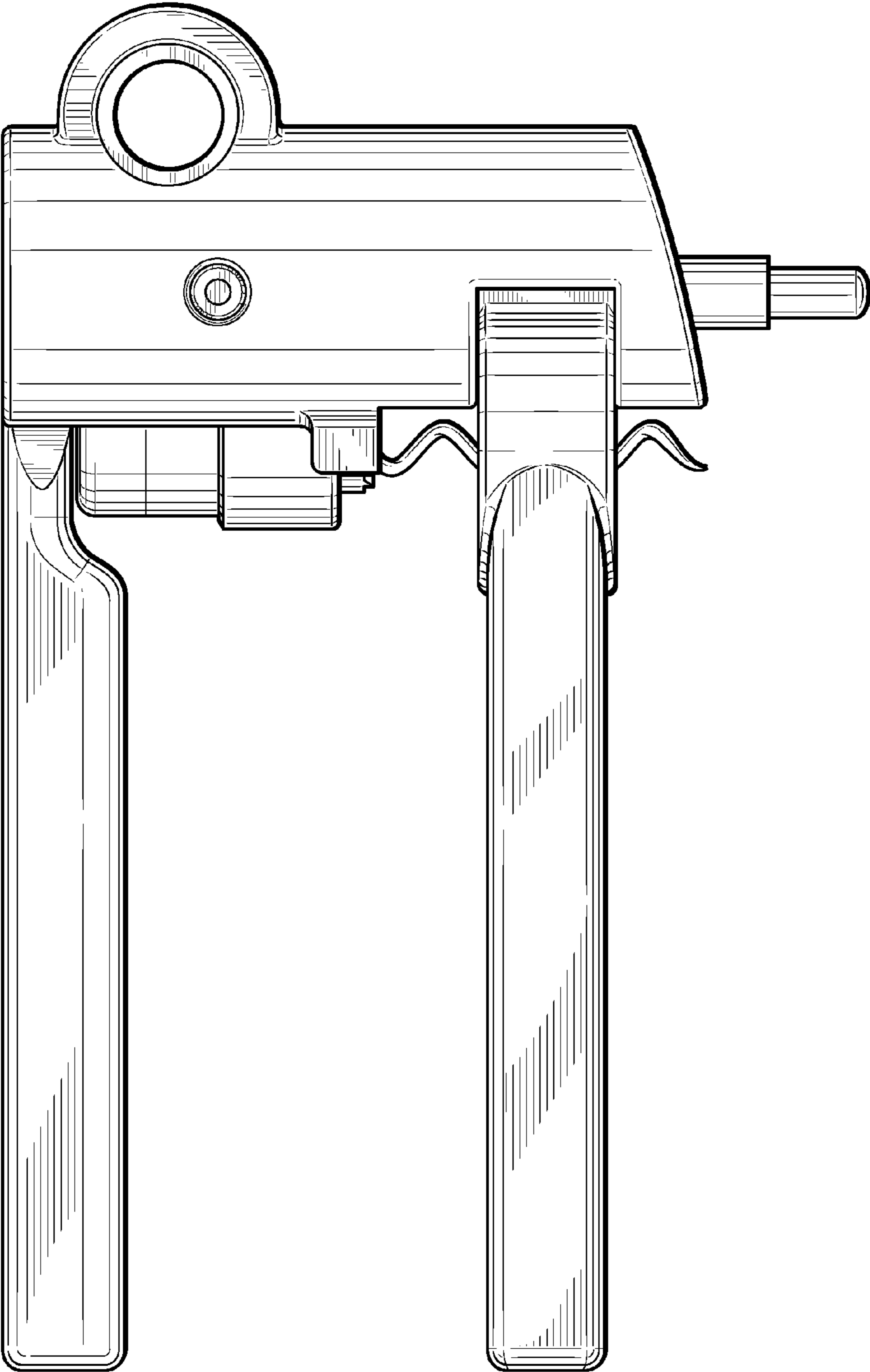


FIG. 6

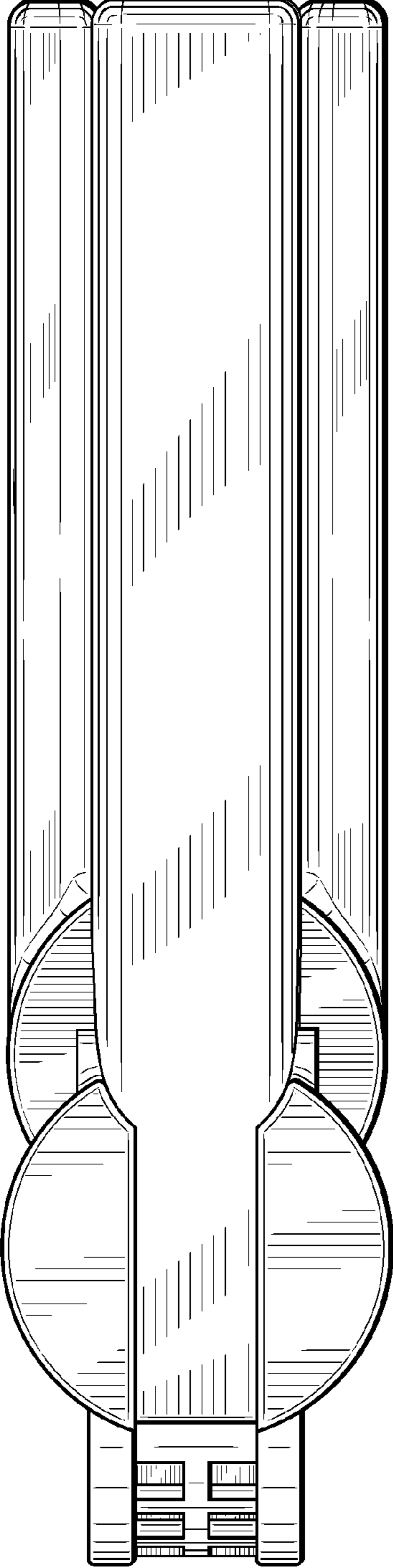


FIG. 7

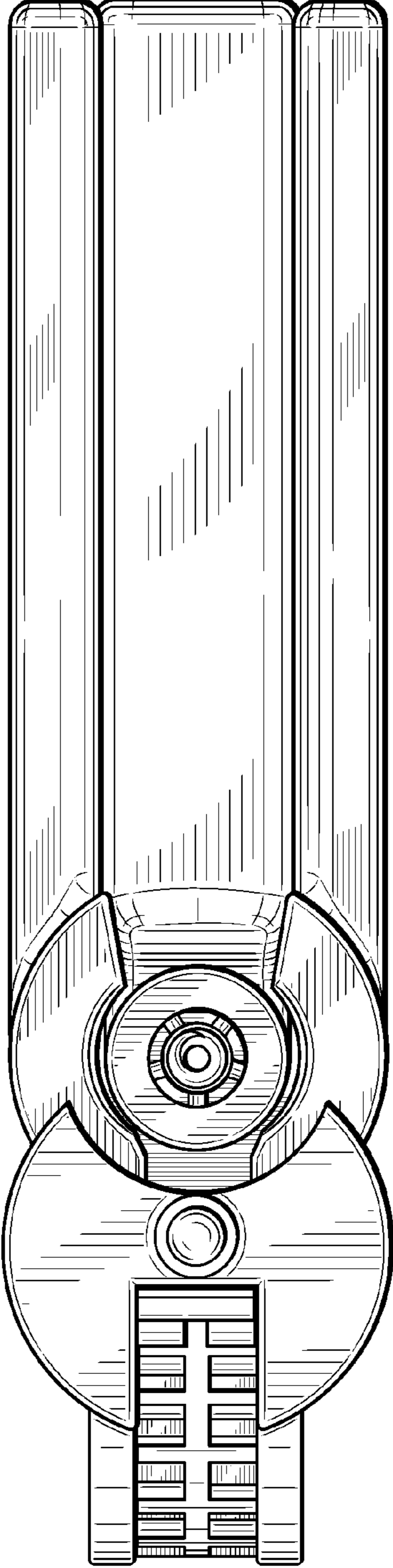


FIG. 8