



US00D636240S

(12) **United States Design Patent**  
**Laurie**

(10) **Patent No.:** **US D636,240 S**

(45) **Date of Patent:** **\*\* Apr. 19, 2011**

(54) **LOW PROFILE SOCKET**

(76) Inventor: **Mark Laurie**, Palm Beach Gardens, FL  
(US)

(\*\*) Term: **14 Years**

(21) Appl. No.: **29/378,797**

(22) Filed: **Nov. 9, 2010**

**Related U.S. Application Data**

(60) Continuation-in-part of application No. 12/332,328, filed on Dec. 10, 2008, and a division of application No. 29/364,821, filed on Jun. 29, 2010, now Pat. No. Des. 628,868.

(51) **LOC (9) Cl.** ..... **08-05**

(52) **U.S. Cl.** ..... **D8/29**

(58) **Field of Classification Search** ..... D8/21-29;  
81/58.3-59.16, 177.1, 177.85, 121.1, 124.3,  
81/165-170, 110.1, 176.2, 124.6, 176.1,  
81/176.15, 177.2; 16/110.1; D15/144.1;  
219/75, 227, 229, 121.16, 121.18

See application file for complete search history.

(56) **References Cited**

**U.S. PATENT DOCUMENTS**

4,408,504 A \* 10/1983 Dobosh ..... 81/59.1  
4,616,535 A \* 10/1986 Chiavon ..... 81/121.1  
4,671,141 A \* 6/1987 Hanson ..... 81/53.2  
4,939,961 A \* 7/1990 Lee ..... 81/60  
5,140,875 A \* 8/1992 Kim ..... 81/63.1  
5,313,860 A \* 5/1994 Liou ..... 81/437

5,970,825 A \* 10/1999 Barnett et al. .... 81/60  
6,595,088 B2 \* 7/2003 Kuo et al. .... 81/58.5  
7,010,998 B2 \* 3/2006 Ying-Hao ..... 81/121.1  
D570,169 S \* 6/2008 Lin ..... D8/29  
2008/0236343 A1 \* 10/2008 Chen ..... 81/58.4

\* cited by examiner

*Primary Examiner* — Raphael Barkai

*Assistant Examiner* — Randall Gholson

(74) *Attorney, Agent, or Firm* — Gold & Rizvi, P.A.; Glenn E. Gold; H. John Rizvi

(57) **CLAIM**

I claim the ornamental design for low profile socket, as shown and described.

**DESCRIPTION**

FIG. 1 is an isometric top view of a low profile socket showing my new design;

FIG. 2 is an isometric bottom view thereof;

FIG. 3 is an elevation first side view thereof;

FIG. 4 is an elevation second side view rotating 90 degrees thereof;

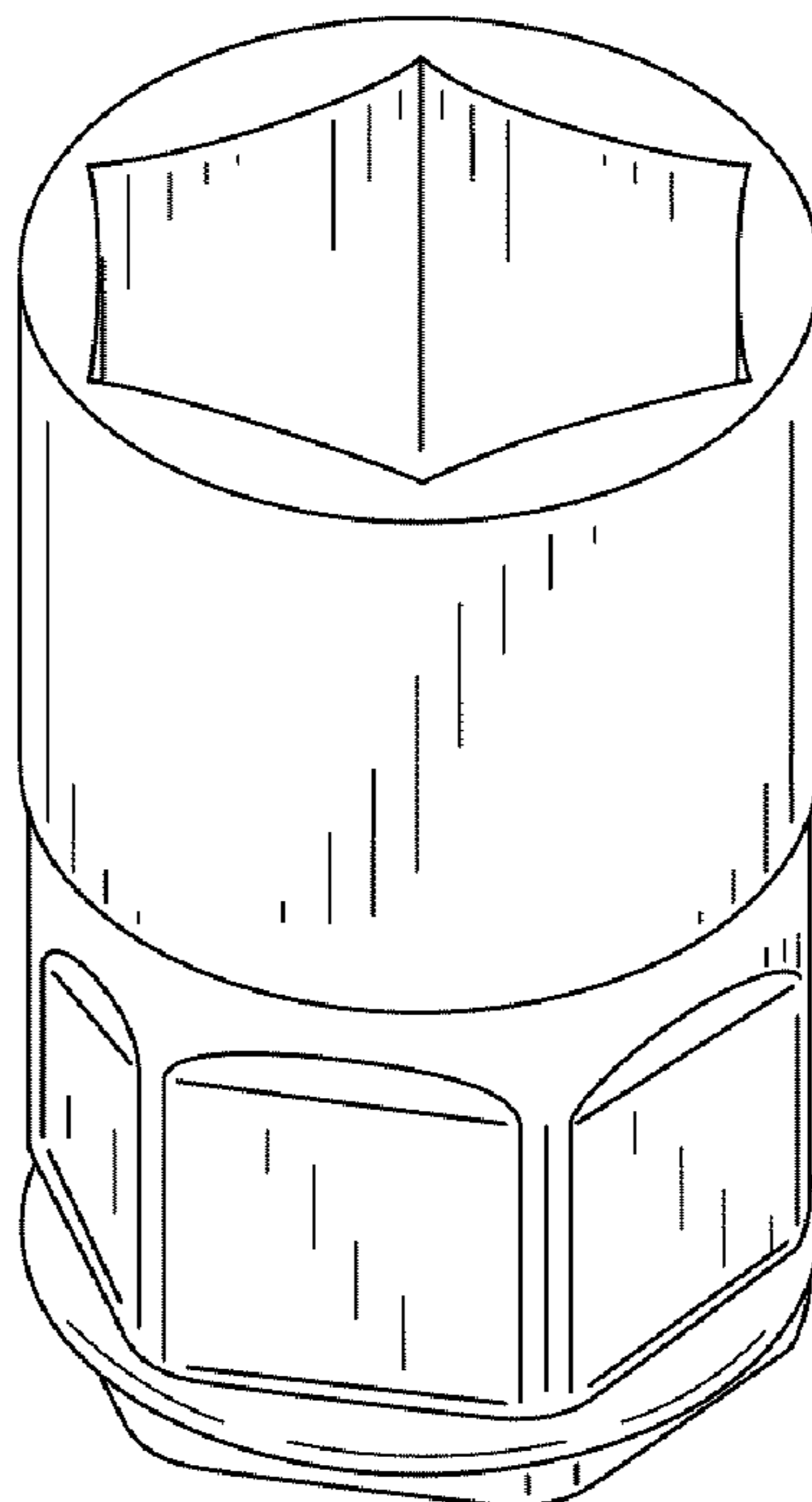
FIG. 5 is an elevation third side view rotating 180 degrees thereof;

FIG. 6 is an elevation fourth side view rotating 270 degrees thereof;

FIG. 7 is a plan top view thereof; and,

FIG. 8 is a plan bottom view thereof.

**1 Claim, 4 Drawing Sheets**



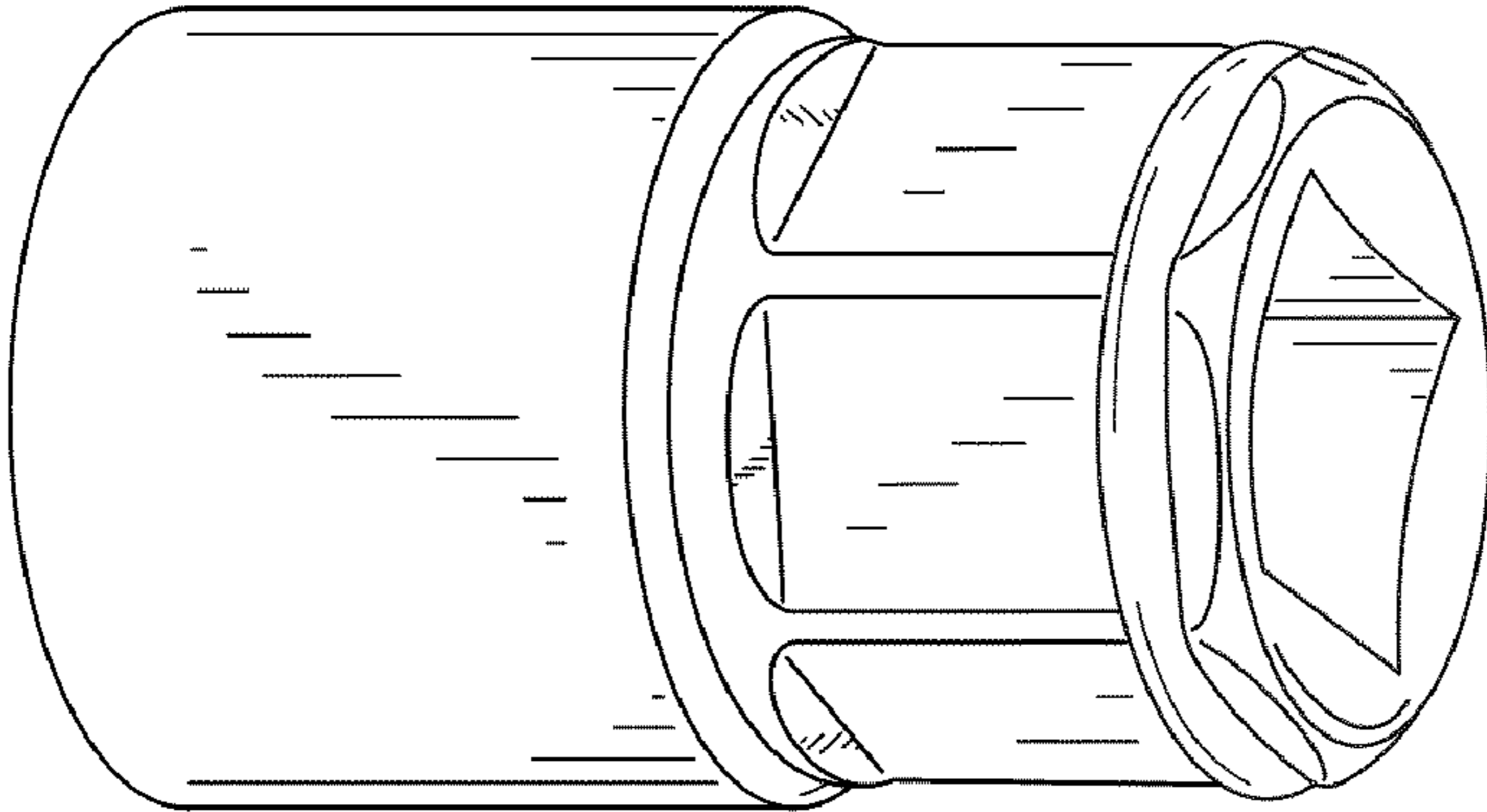


FIG. 2

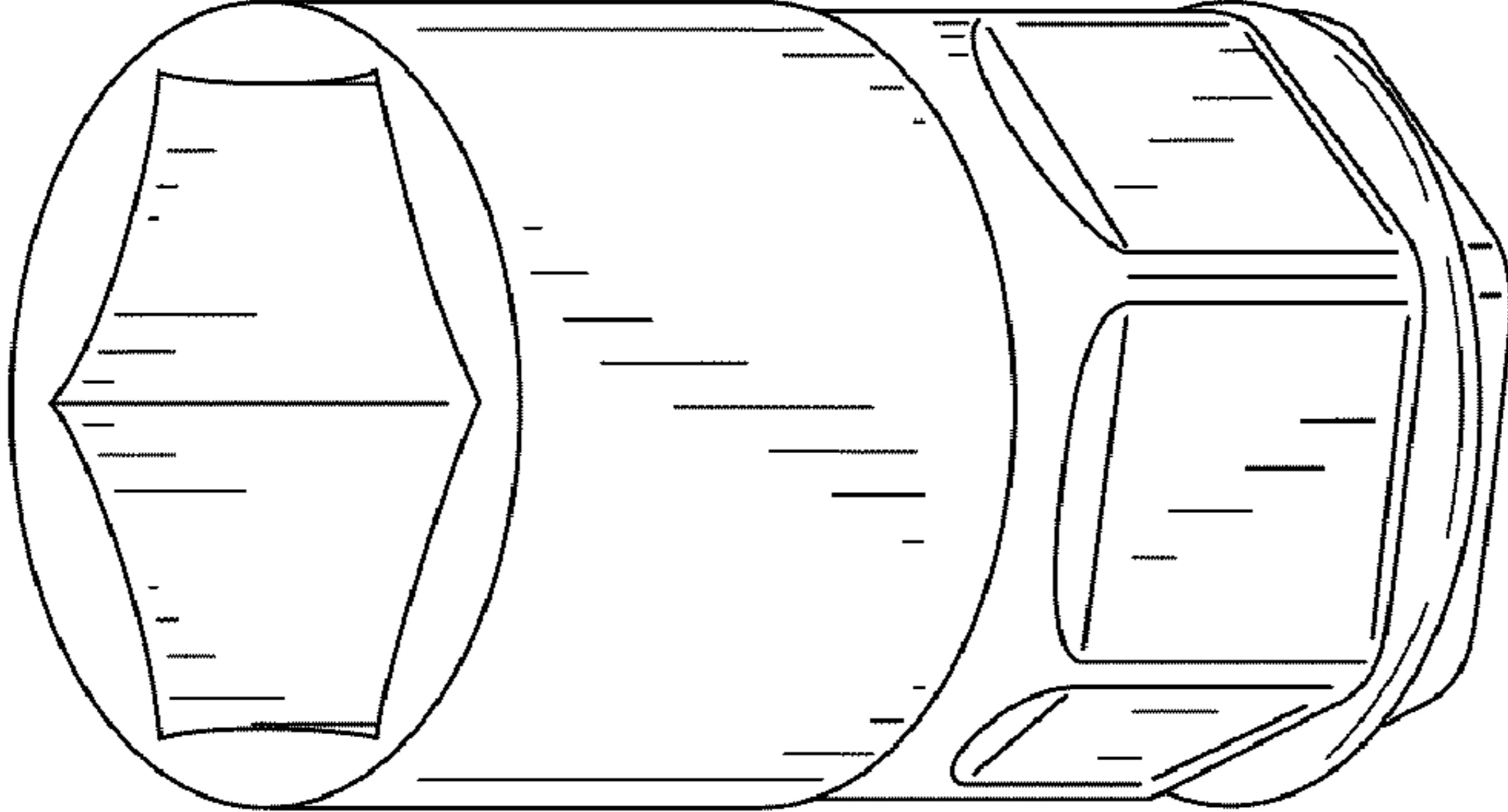


FIG. 1

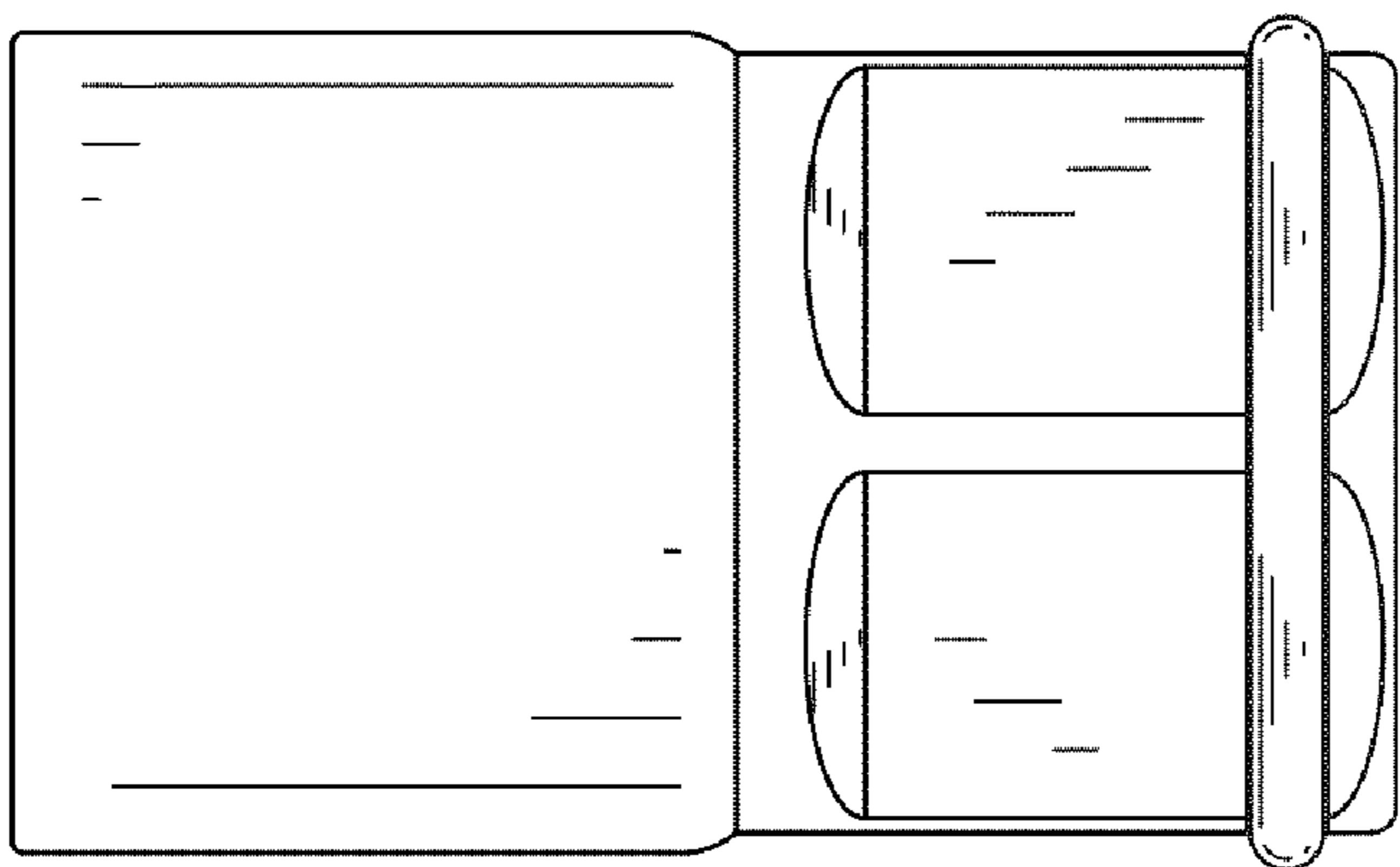


FIG. 3

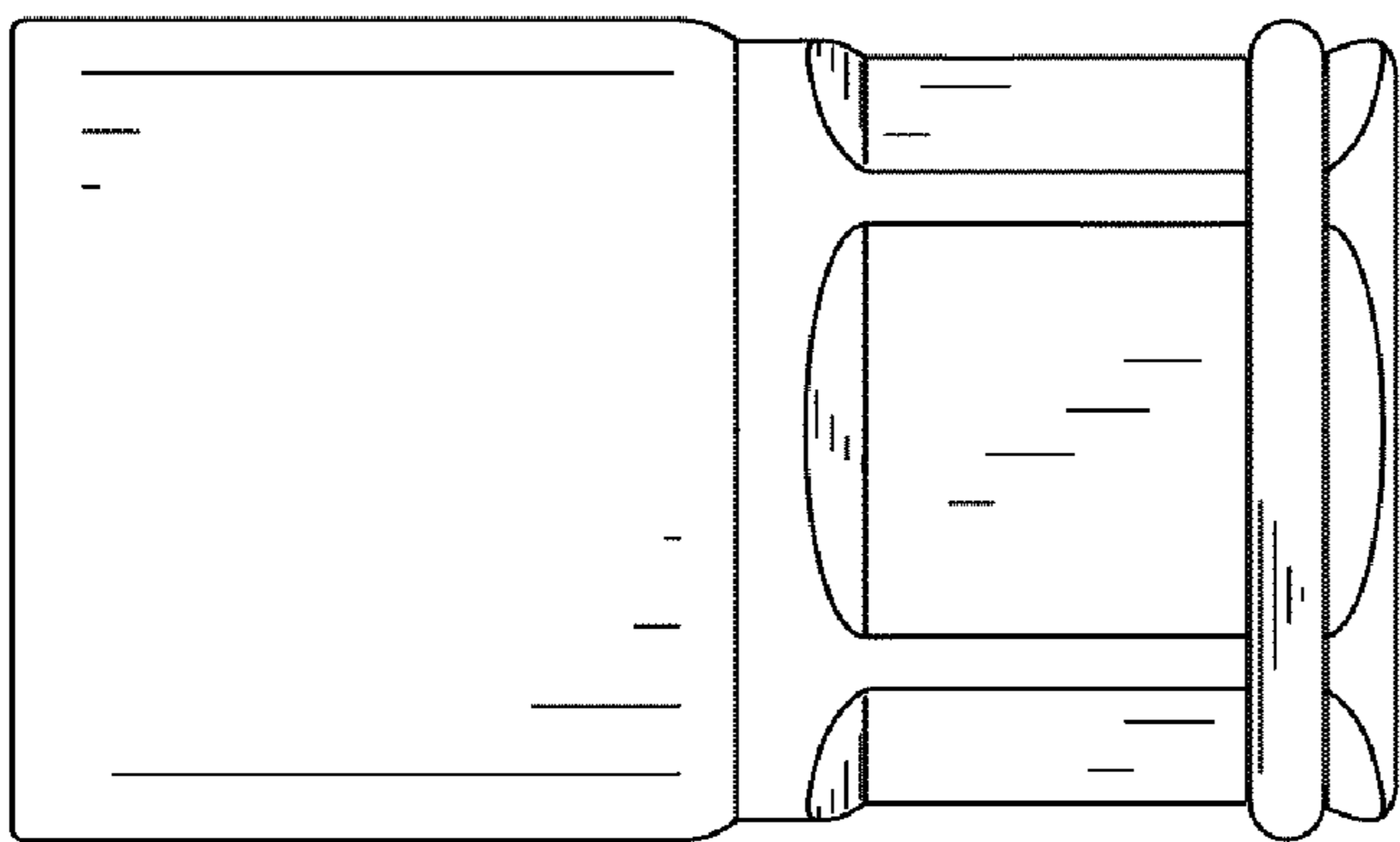


FIG. 4

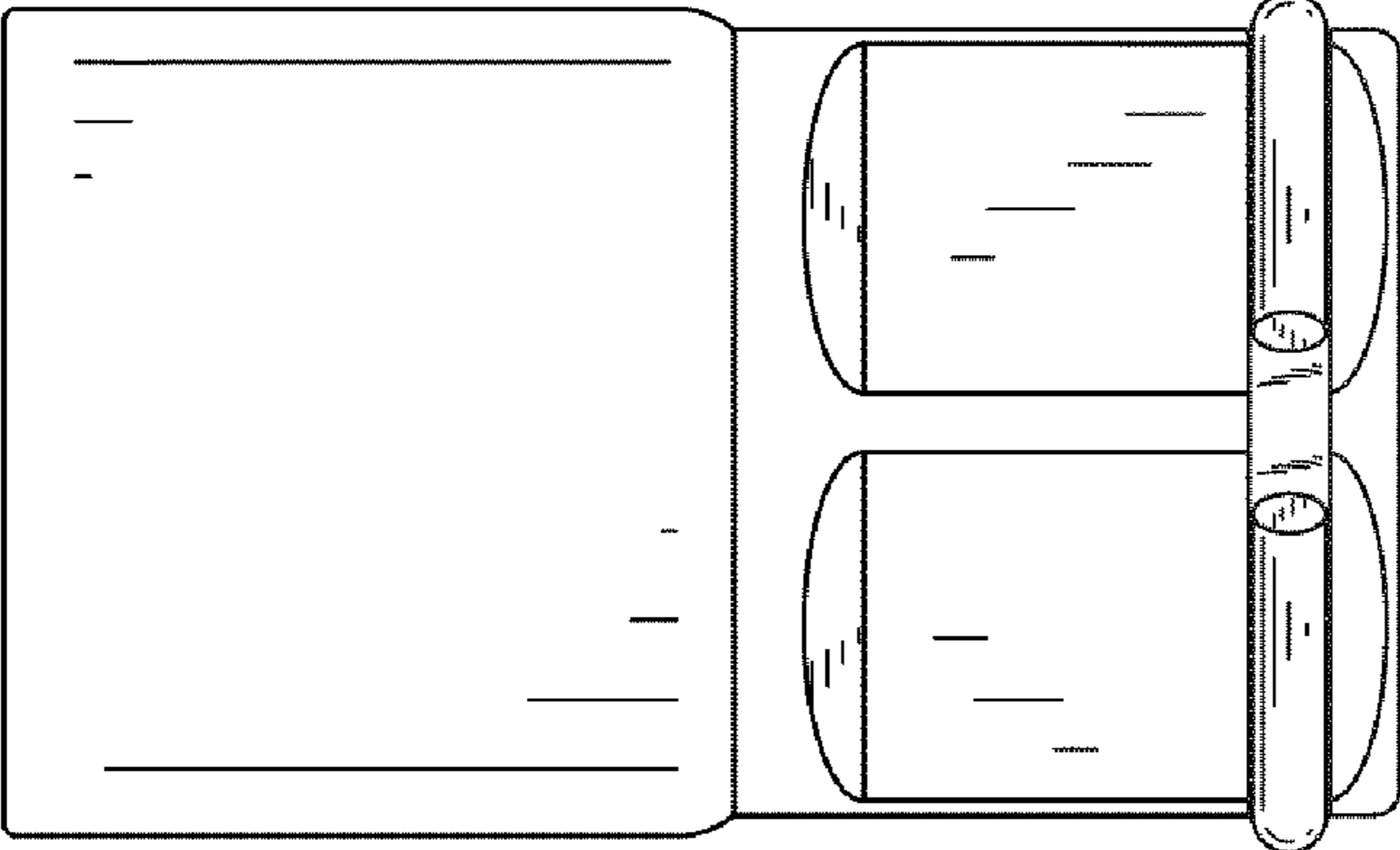


FIG. 5

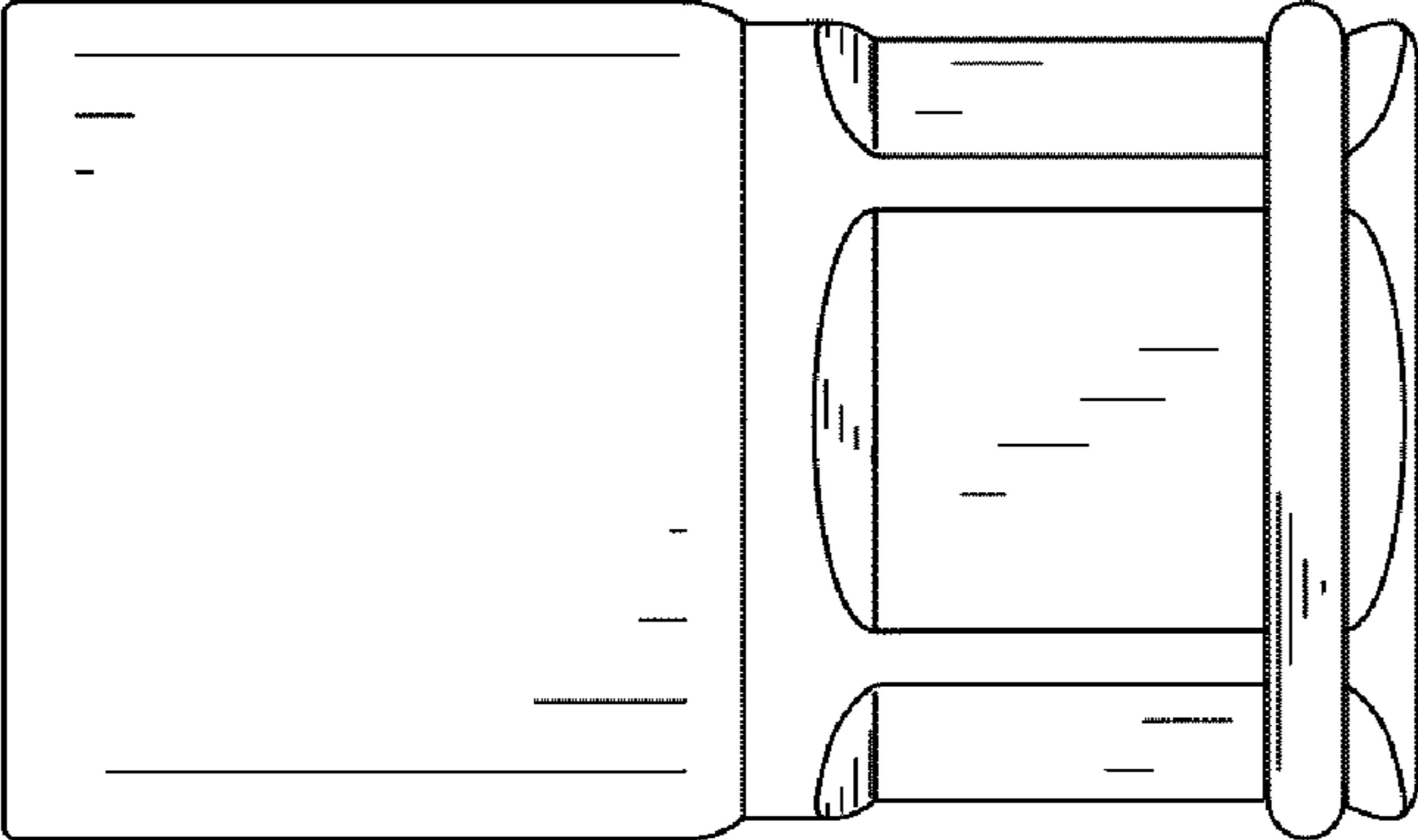


FIG. 6

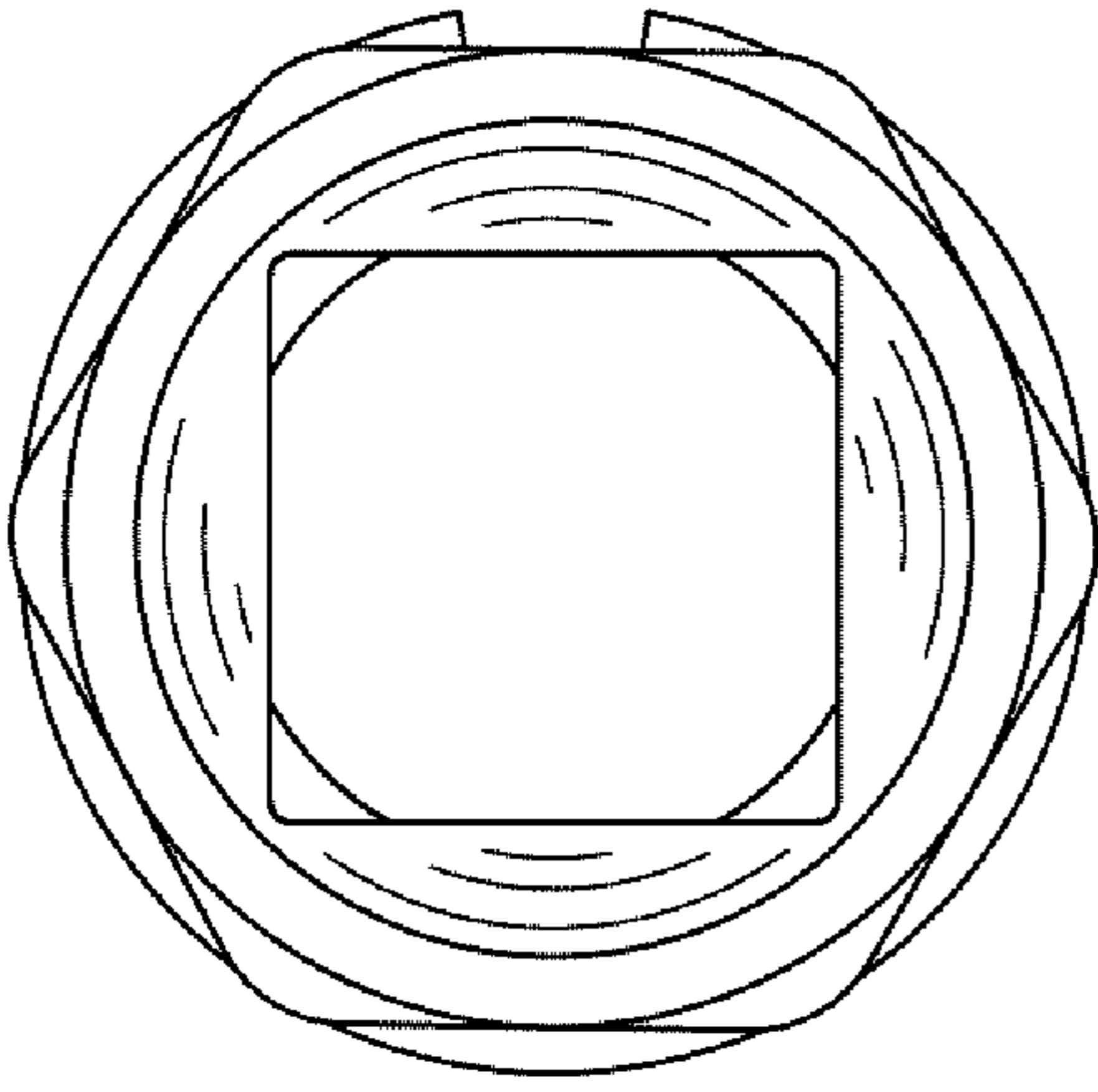


FIG. 8

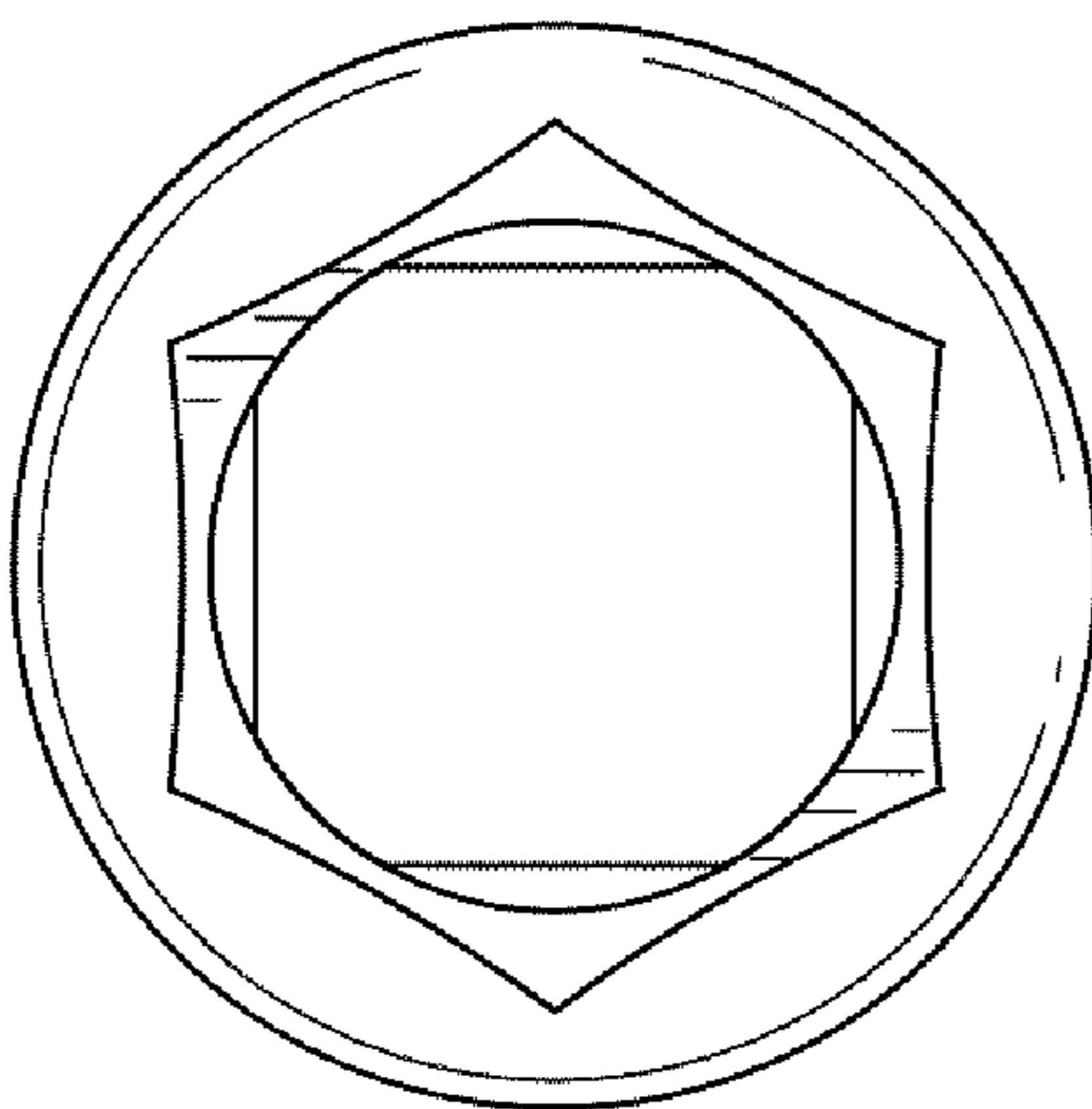


FIG. 7