



US00D636239S

(12) **United States Design Patent**
Chavez

(10) **Patent No.:** **US D636,239 S**

(45) **Date of Patent:** **** Apr. 19, 2011**

(54) **SPUD WRENCH**

(76) **Inventor:** **Adrian Chavez**, Stanton, CA (US)

(**) **Term:** **14 Years**

(21) **Appl. No.:** **29/368,530**

(22) **Filed:** **Aug. 25, 2010**

(51) **LOC (9) Cl.** **08-05**

(52) **U.S. Cl.** **D8/29; D8/26**

(58) **Field of Classification Search** D8/21-29;
81/60, 177.1, 177.85, 121.1, 124.3, 165-170,
81/110.1, 176.2, 124.6, 176.1, 176.15, 177.2;
16/110.1; D15/144.1; 219/75, 227, 229,
219/121.16, 121.18

See application file for complete search history.

(56) **References Cited**

U.S. PATENT DOCUMENTS

2,445,905	A *	7/1948	Busby	81/124.3
3,086,414	A *	4/1963	Nardi	81/176.1
D248,536	S	7/1978	Domasin	
4,357,845	A *	11/1982	Cornia	81/124.2
D274,404	S	6/1984	Adler	
D303,342	S	9/1989	Katz	
D366,403	S *	1/1996	Yearwood	D8/27
D385,166	S	10/1997	Mundon	
D385,761	S	11/1997	Nave	
D396,787	S	8/1998	Farnan	
D400,769	S *	11/1998	Duke	D8/29

6,044,732	A *	4/2000	Astle	81/176.15
D431,984	S *	10/2000	Cotillon	D8/29
D432,878	S	10/2000	Gray	
D434,294	S	11/2000	Bernel	
6,929,024	B1 *	8/2005	Rucker	137/315.41
D515,372	S	2/2006	Marston	
D526,547	S	8/2006	Houpe	
D548,030	S	8/2007	Hertel et al.	

* cited by examiner

Primary Examiner — Raphael Barkai

Assistant Examiner — Randall Gholson

(74) *Attorney, Agent, or Firm* — QuickPatents, Inc.; Kevin Prince

(57) **CLAIM**

What is claimed is the ornamental design for a spud wrench, as shown and described.

DESCRIPTION

FIG. 1 is a perspective view of a spud wrench, showing the new design;

FIG. 2 is a front elevational view thereof, the rear elevational view being a mirror image thereof;

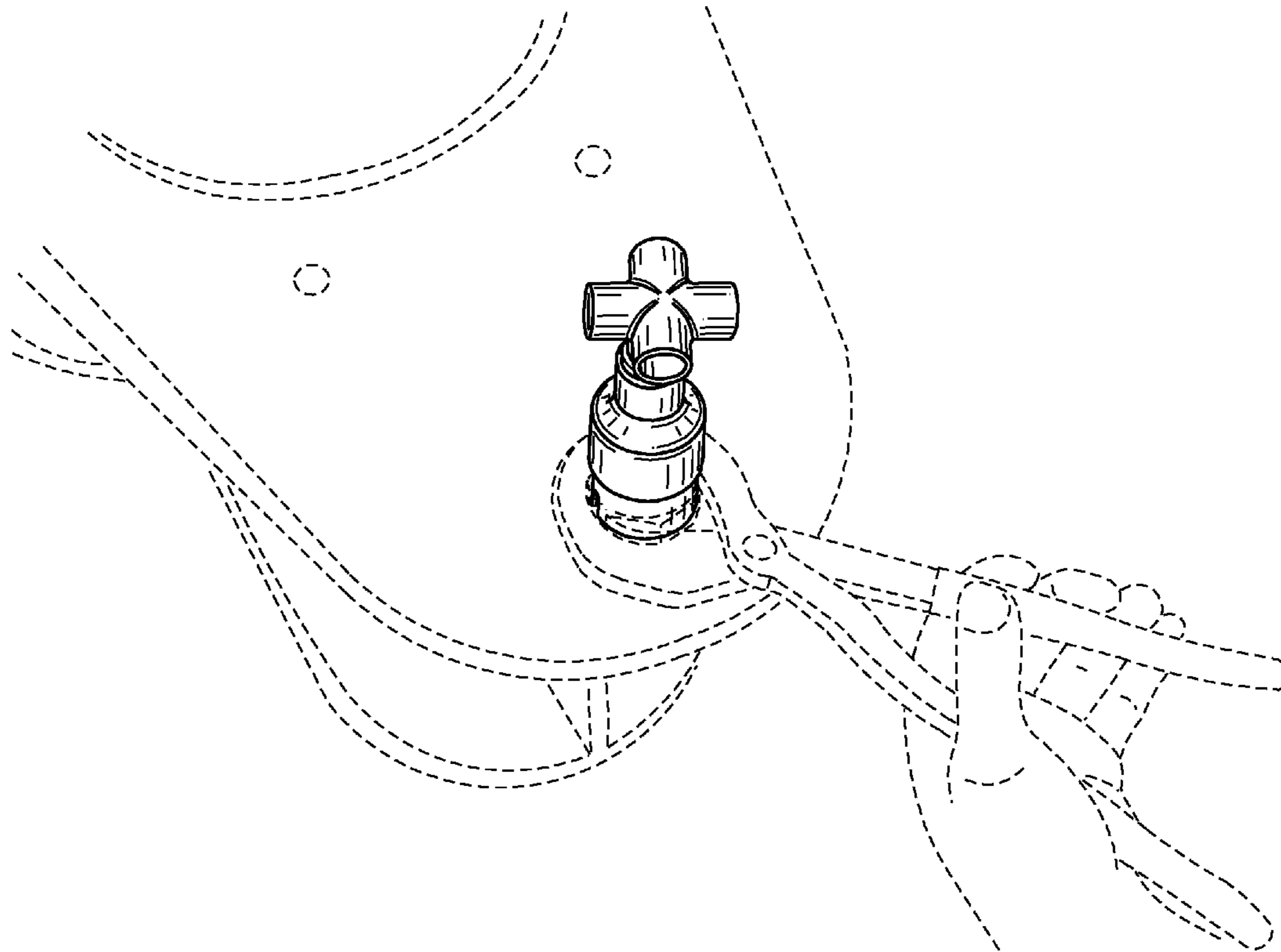
FIG. 3 is a left-side elevational view thereof, the right-side elevational view being a mirror image thereof

FIG. 4 is a top plan view thereof; and,

FIG. 5 is a bottom plan view thereof.

The broken lines showing a toilet, hand and pliers in FIG. 1 are included for the purpose of illustrating the invention in use, and form no part of the claimed design.

1 Claim, 3 Drawing Sheets



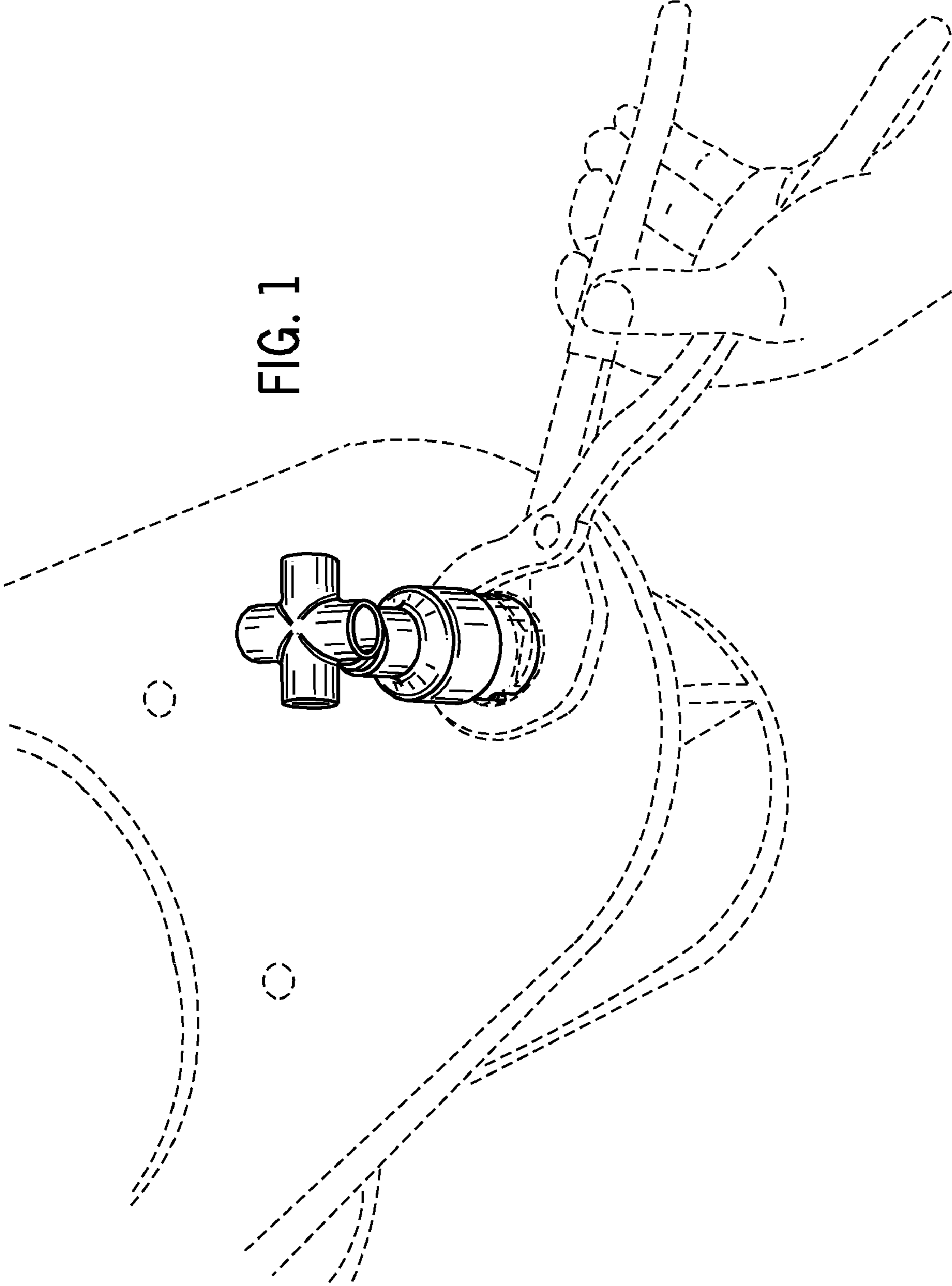


FIG. 1

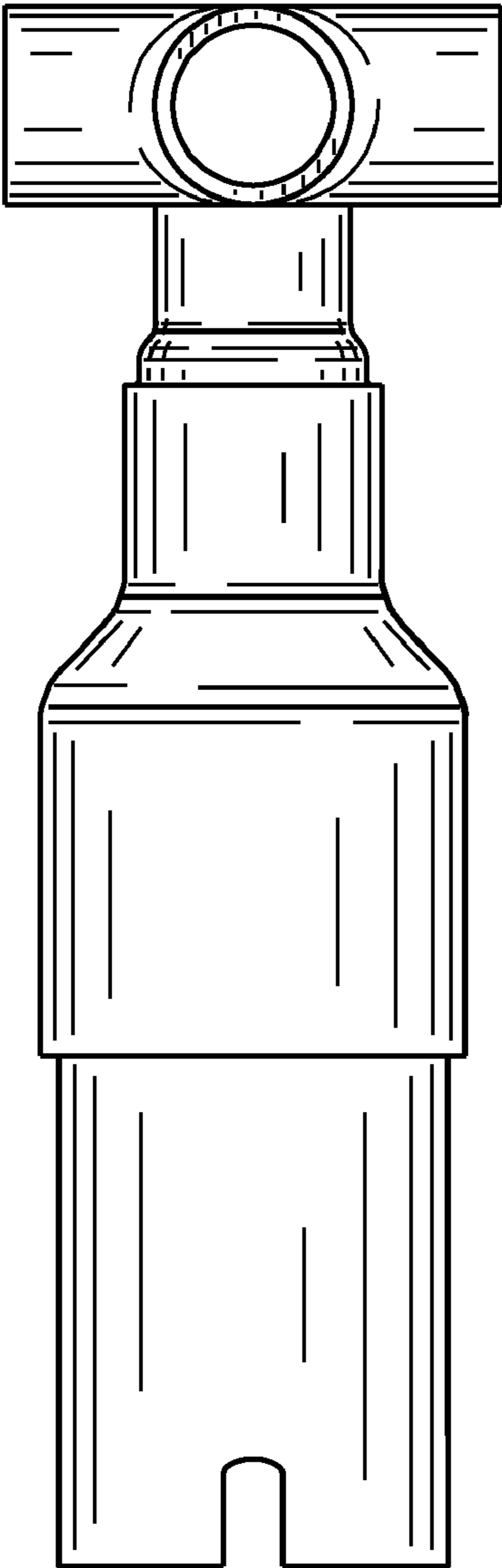


FIG. 2



FIG. 3

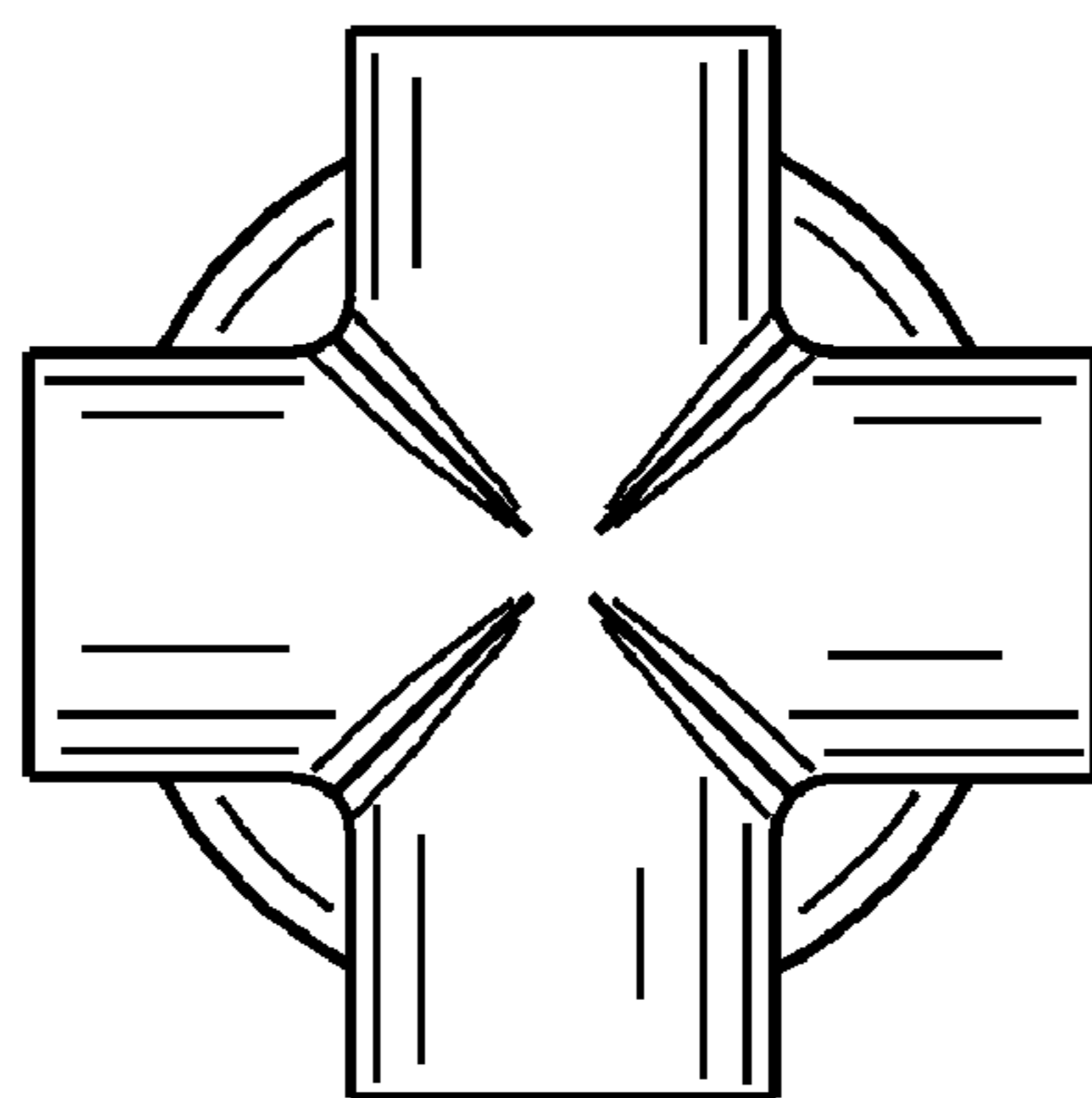


FIG. 4

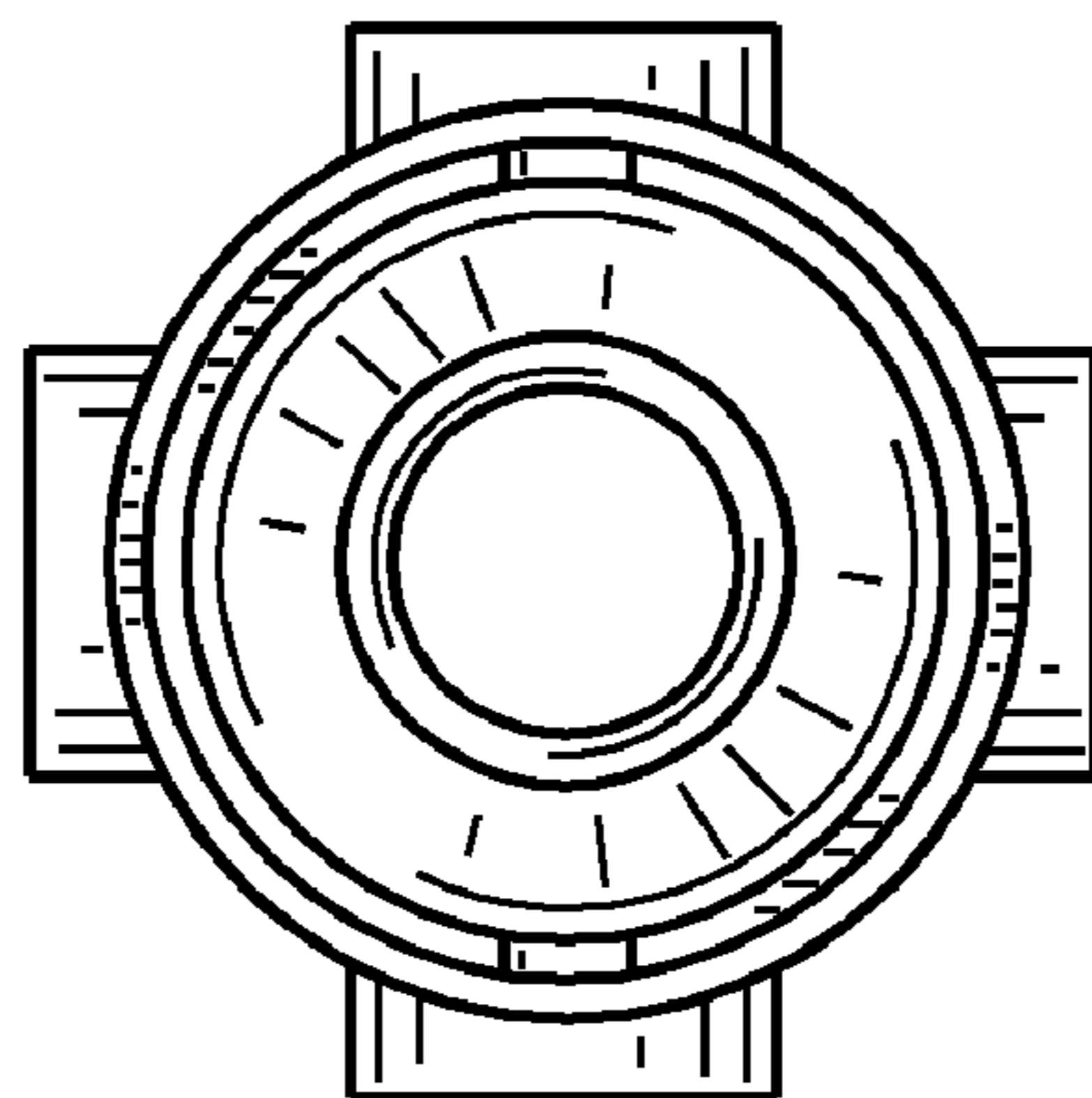


FIG. 5