



US00D636236S

(12) **United States Design Patent**  
**Telford, Jr.**

(10) **Patent No.:** **US D636,236 S**  
(45) **Date of Patent:** **\*\* Apr. 19, 2011**

(54) **LEAF TAMPER TOOL**

FOREIGN PATENT DOCUMENTS

(75) Inventor: **William Stanley Telford, Jr.**, Elmhurst,  
IL (US)

DE 29501339 1/1995

\* cited by examiner

(73) Assignee: **William Stanley Telford, Jr.**, Elmhurst,  
IL (US)

*Primary Examiner* — Holly H Baynham

*Assistant Examiner* — Sheryl Lane

(\*\*) Term: **14 Years**

(74) *Attorney, Agent, or Firm* — John S. Paniaguas; Katten  
Muchin Rosenman LLP

(21) Appl. No.: **29/354,766**

(57) **CLAIM**

I claim the ornamental design for a leaf tamper tool, as shown  
and described.

(22) Filed: **Jan. 28, 2010**

**DESCRIPTION**

(51) **LOC (9) Cl.** ..... **08-01**

(52) **U.S. Cl.** ..... **D8/1**

(58) **Field of Classification Search** ..... D8/1, 45,  
D8/77; 172/380, 378, 372; 56/400.05, 400.15  
See application file for complete search history.

FIG. 1 is an front isometric view of a leaf tamper tool in  
accordance with the present invention, shown with the handle  
and the device for attaching the handle to the tamper plate in  
phantom.

FIG. 2 is a top plan view of the leaf tamper tool illustrated in  
FIG. 1.

FIG. 3 is a bottom plan view of the leaf tamper tool illustrated  
in FIG. 1.

FIG. 4 is a left side elevation view of the leaf tamper tool  
illustrated in FIG. 1.

FIG. 5 is a right side elevation view of the leaf tamper tool  
illustrated in FIG. 1.

FIG. 6 is a front elevation view of the leaf tamper tool illus-  
trated in FIG. 1; and,

FIG. 7 is a rear elevation view of the leaf tamper tool illus-  
trated in FIG. 1.

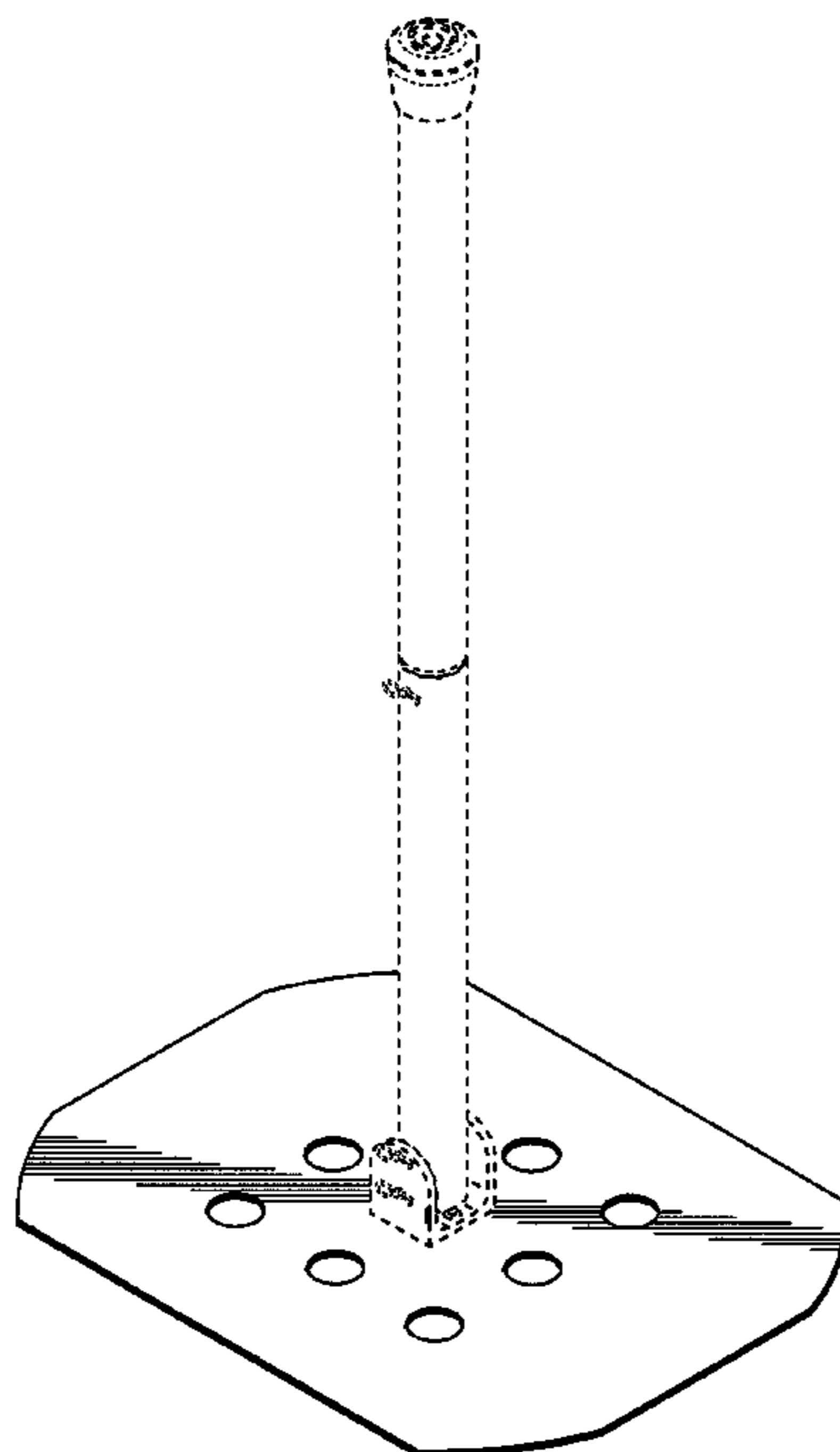
The broken line showing of the tamper device is included for  
the purpose of illustrating portions of the article and forms no  
part of the claimed design.

(56) **References Cited**

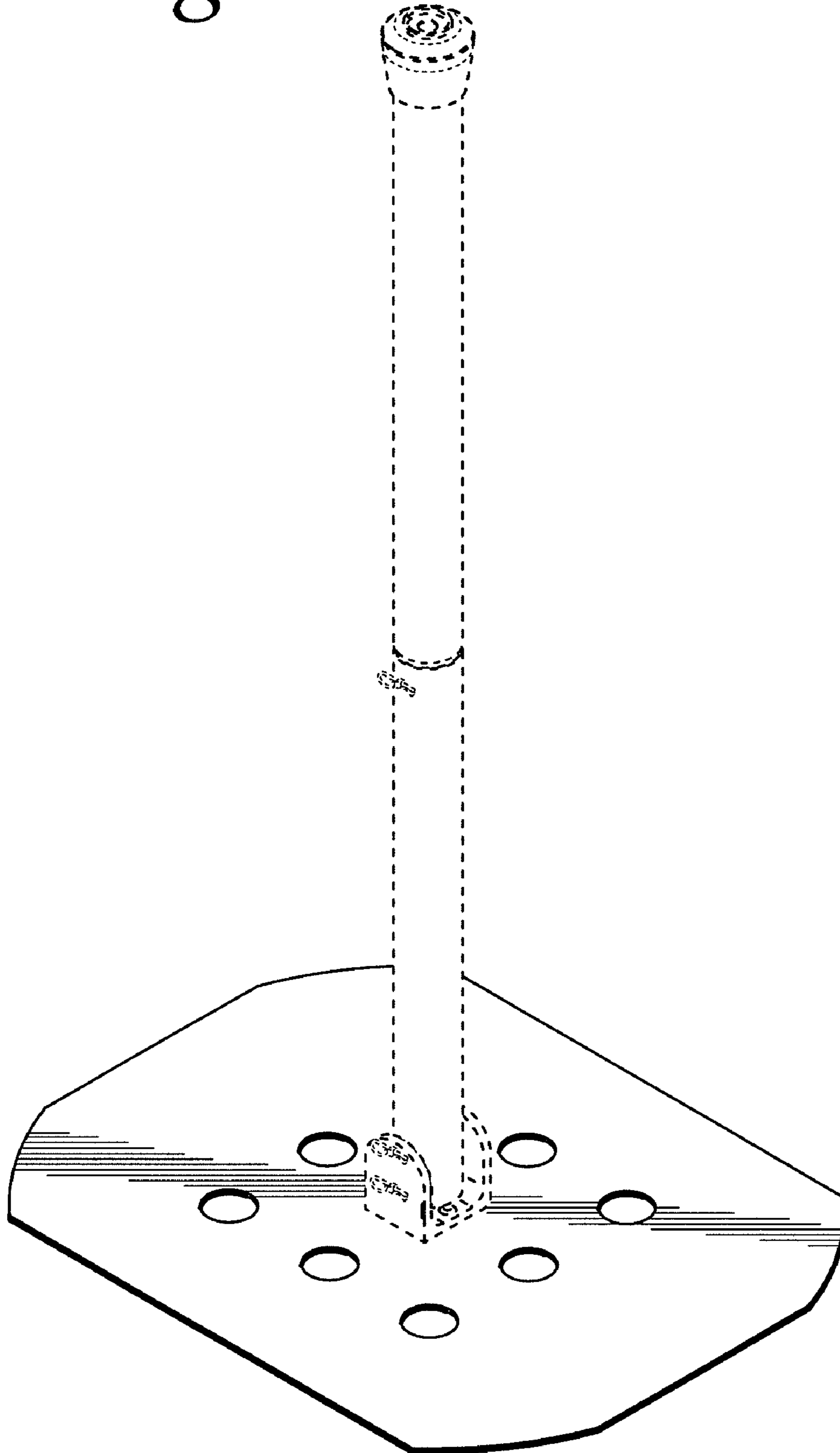
U.S. PATENT DOCUMENTS

4,097,945	A	7/1978	Scott	
4,158,995	A	6/1979	Kaplan	
4,214,538	A	7/1980	Druskin et al.	
4,991,500	A	2/1991	Knapp	
D326,396	S *	5/1992	Owens	D8/45
5,452,769	A	9/1995	Markert	
5,797,314	A	8/1998	Hendrick	
5,806,416	A	9/1998	Cerniglia	
D408,696	S *	4/1999	Simpson, Sr.	D8/1
D422,427	S *	4/2000	Packer	D6/403
6,415,713	B1	7/2002	Abrams	
D531,863	S *	11/2006	Irwin	D8/1
D607,290	S *	1/2010	Casablanca	D8/45
2007/0209532	A1	9/2007	Noxon	
2009/0214295	A1	8/2009	Lesche	

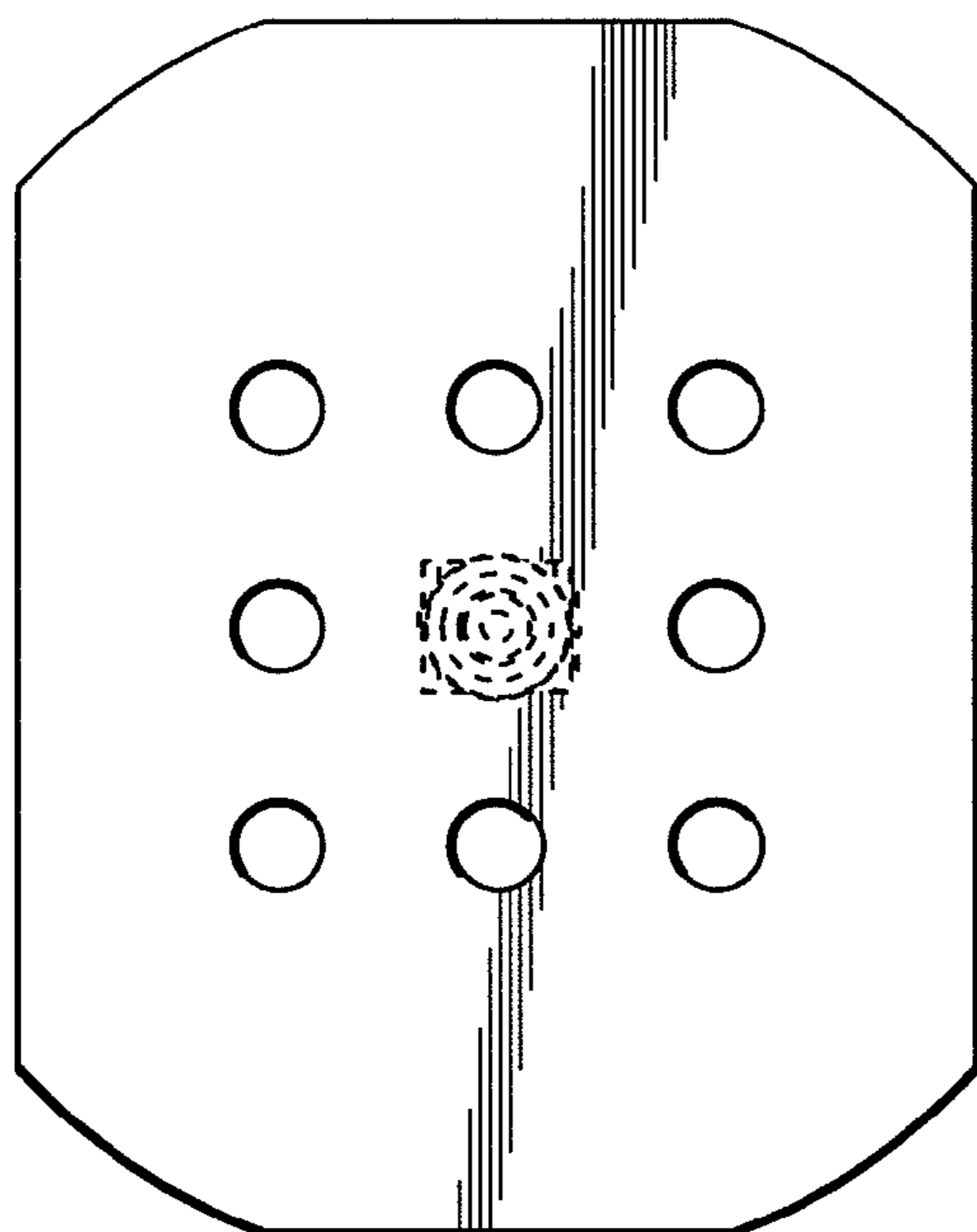
**1 Claim, 4 Drawing Sheets**



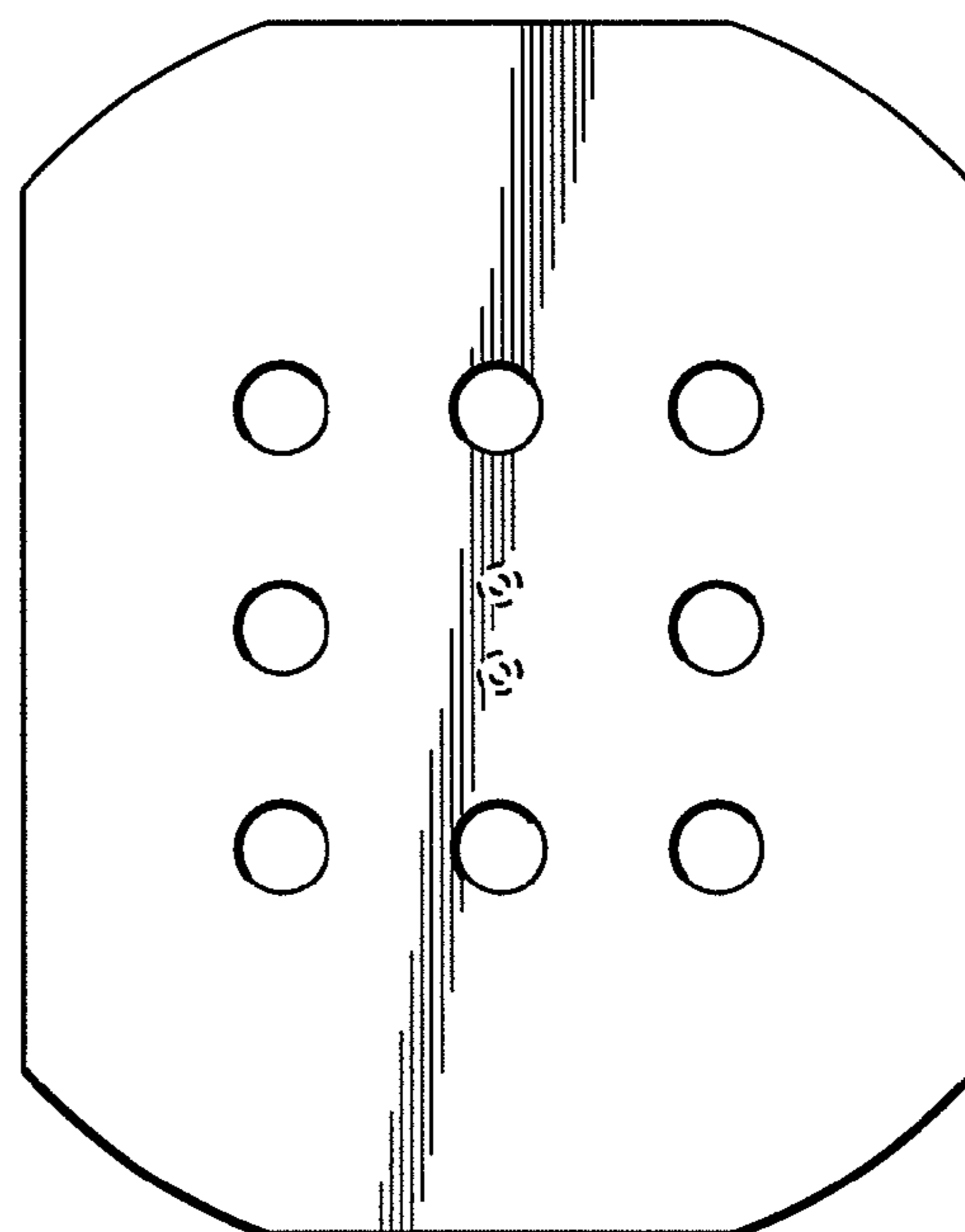
*Fig. 1*



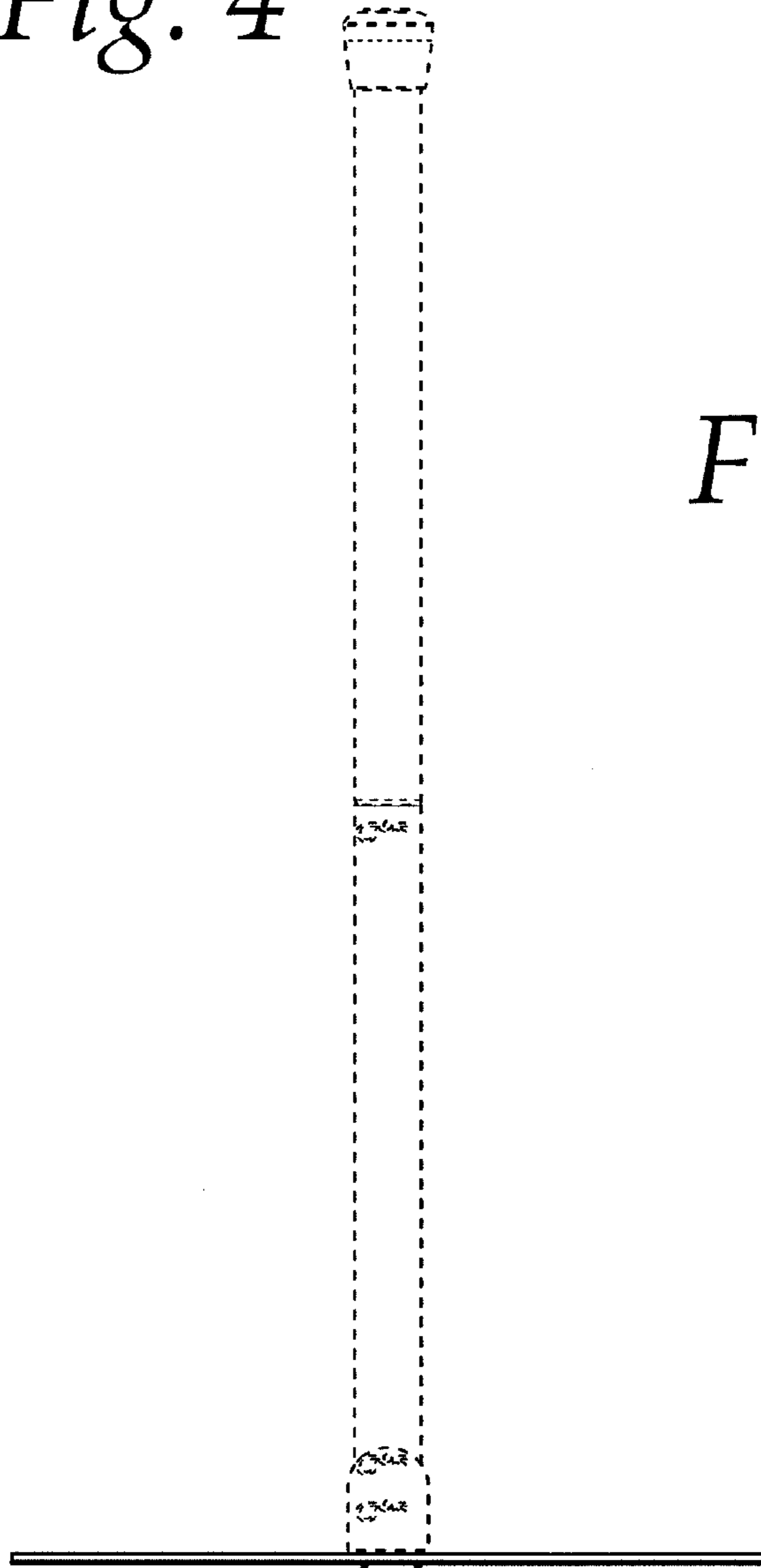
*Fig. 2*



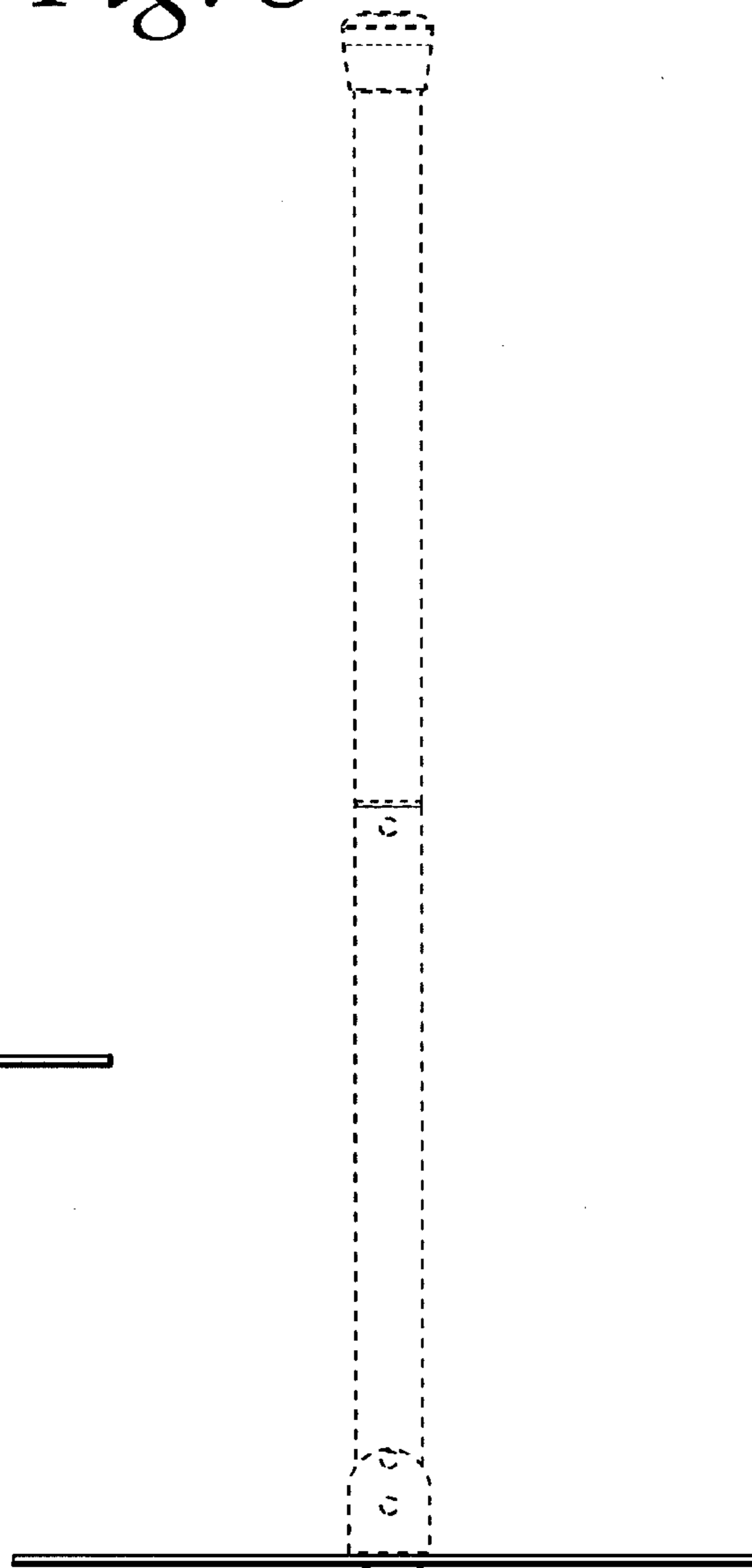
*Fig. 3*



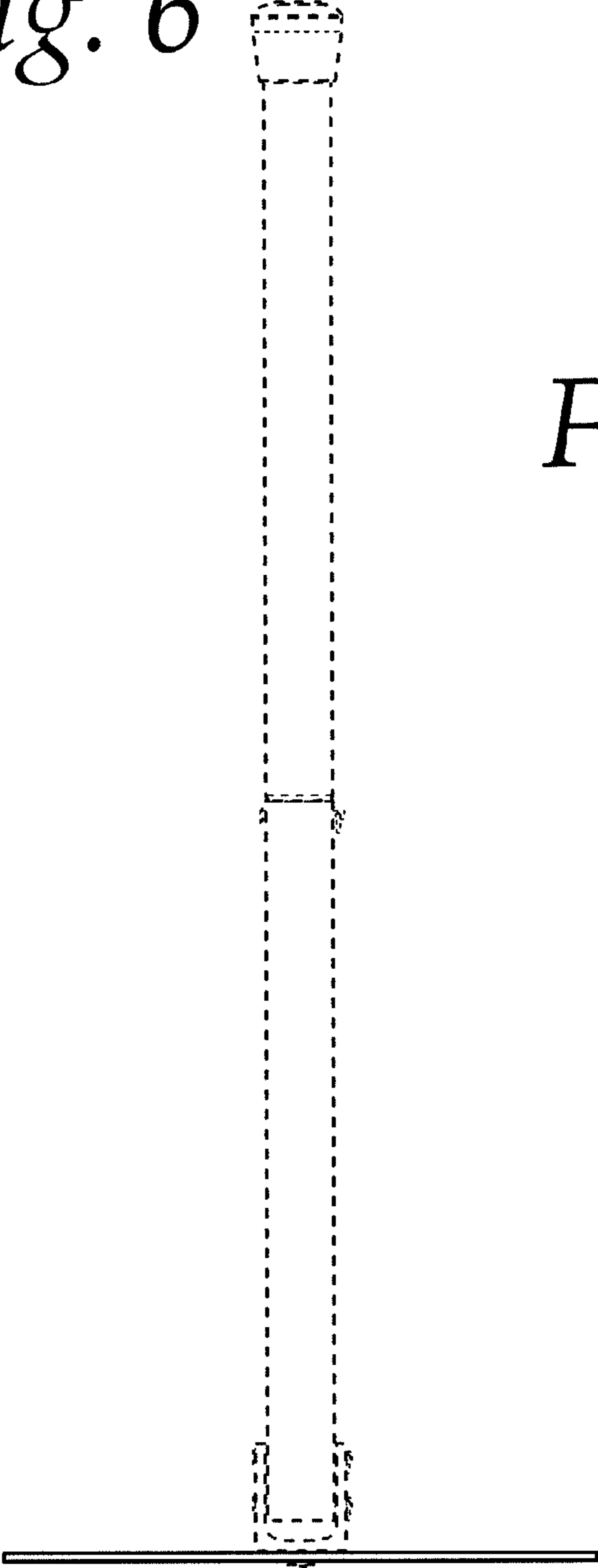
*Fig. 4*



*Fig. 5*



*Fig. 6*



*Fig. 7*

